



US00D447087B1

(12) **United States Design Patent**  
**Hodge**

(10) **Patent No.:** **US D447,087 S**

(45) **Date of Patent:** **\*\* Aug. 28, 2001**

(54) **HAT HOLDER**

(76) Inventor: **Shirley J. Hodge**, 147 S. Washington Ave., Bradley, IL (US) 60915

(\*\*) Term: **14 Years**

(21) Appl. No.: **29/124,972**

(22) Filed: **Jun. 15, 2000**

(51) **LOC (7) Cl.** ..... **02-07**

(52) **U.S. Cl.** ..... **D11/200**

(58) **Field of Search** ..... D6/315, 316, 317,  
D6/320, 411-415; 206/30-32; 21/30-32;  
132/51.1; D2/865, 866; 223/24; 233/7-13;  
D11/200-216; 24/3.4, 3.11, 3.12, 3.13,  
326

(56) **References Cited**

**U.S. PATENT DOCUMENTS**

1,160,769 \* 11/1915 Saunders ..... 24/3.11  
3,058,183 \* 10/1962 Hawie ..... 24/326

5,244,135 \* 9/1993 Nelson ..... 24/3.4  
5,842,256 \* 12/1998 Anscher ..... 24/3.4  
5,890,638 \* 4/1999 Woloshen ..... 24/3.4

\* cited by examiner

*Primary Examiner*—Louis S. Zarfes  
*Assistant Examiner*—Barbara Wyatt Crawford

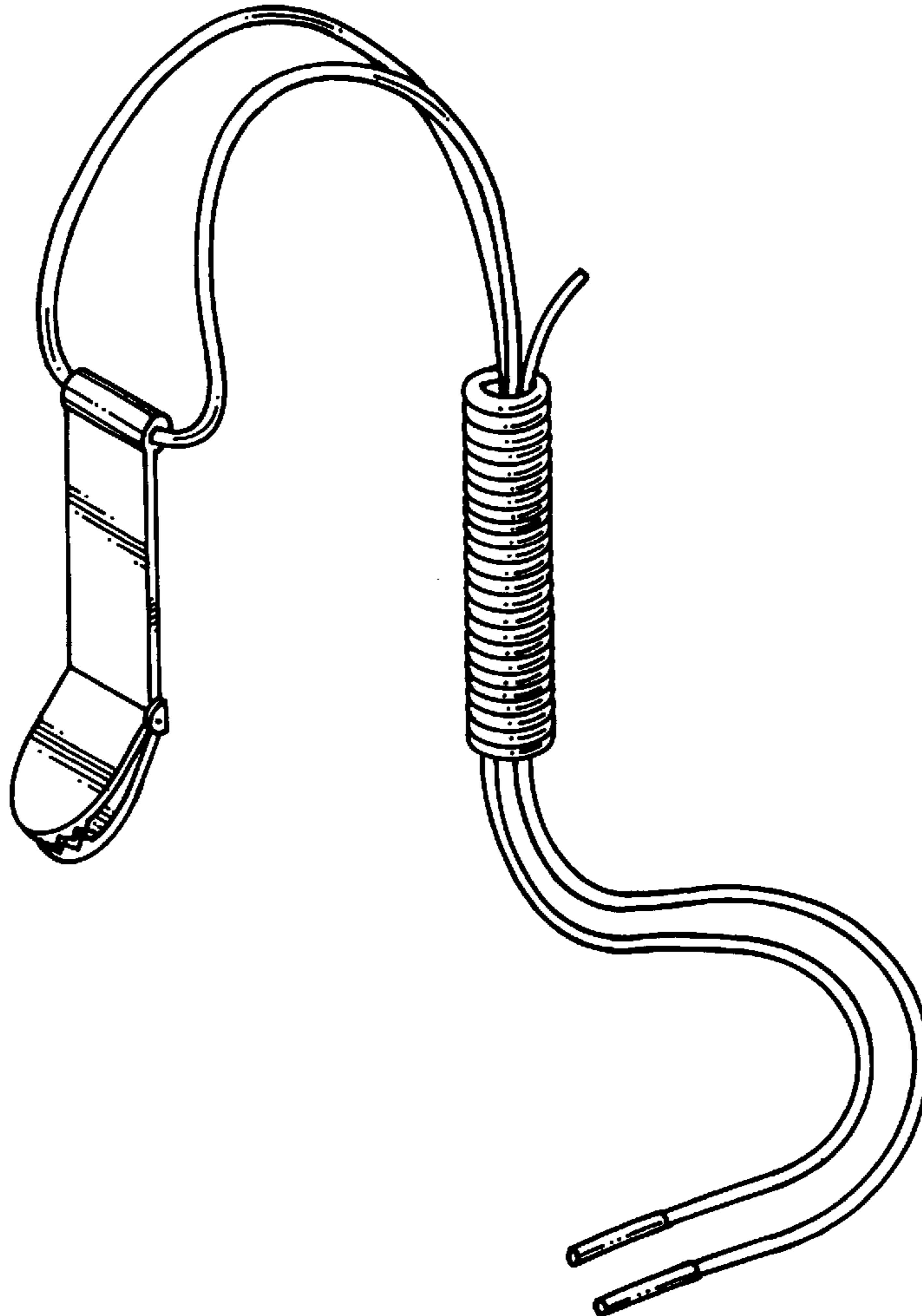
(57) **CLAIM**

The ornamental design for a hat holder, as shown and described.

**DESCRIPTION**

FIG. 1 is a perspective view of a hat holder, showing my new design;  
FIG. 2 is a left end elevational view thereof, the right end elevational view being a mirror image of this Figure;  
FIG. 3 is a front elevational view thereof;  
FIG. 4 is a rear elevational view thereof;  
FIG. 5 is a top plan view thereof; and,  
FIG. 6 is a bottom plan view thereof.

**1 Claim, 3 Drawing Sheets**



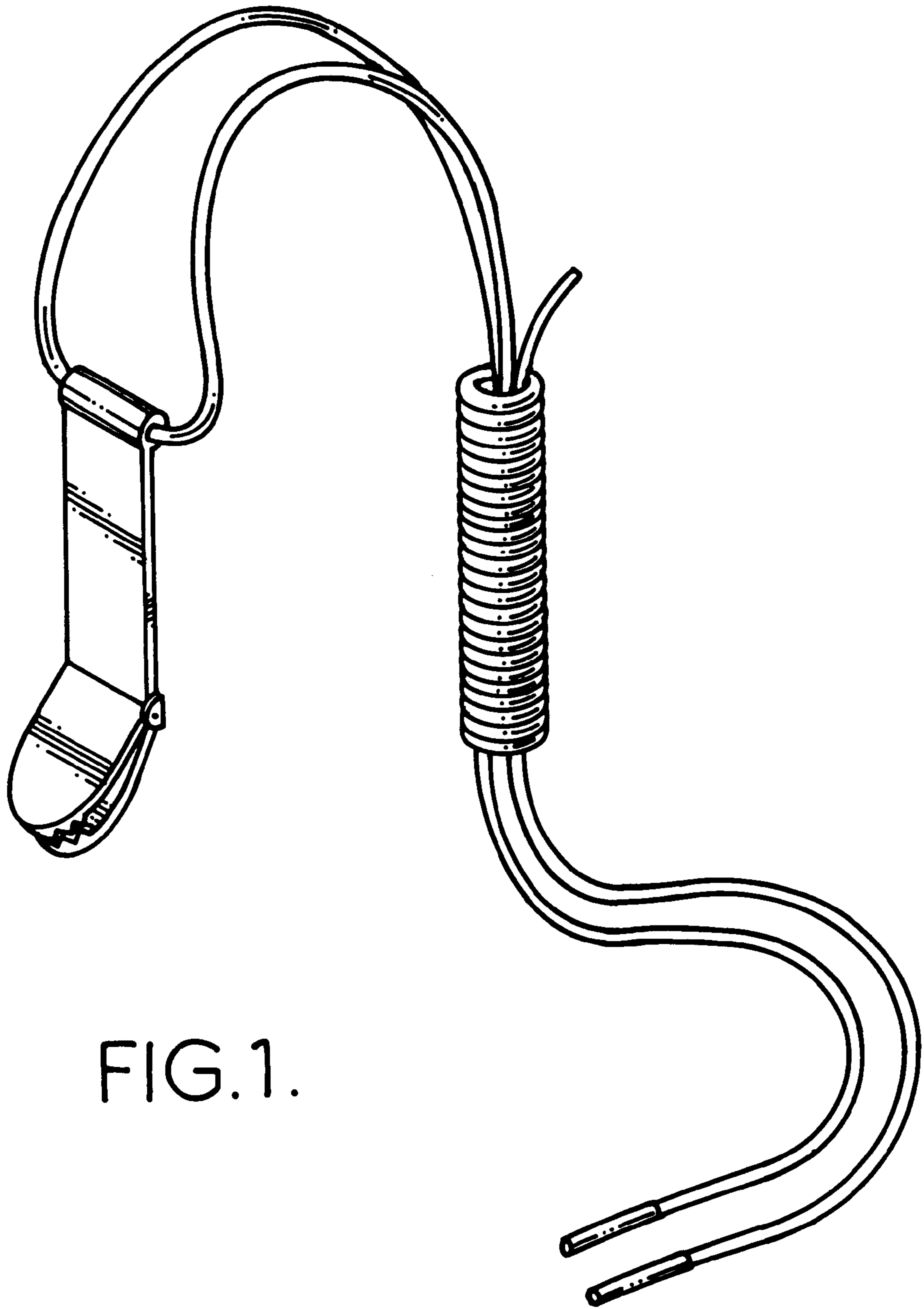


FIG.1.

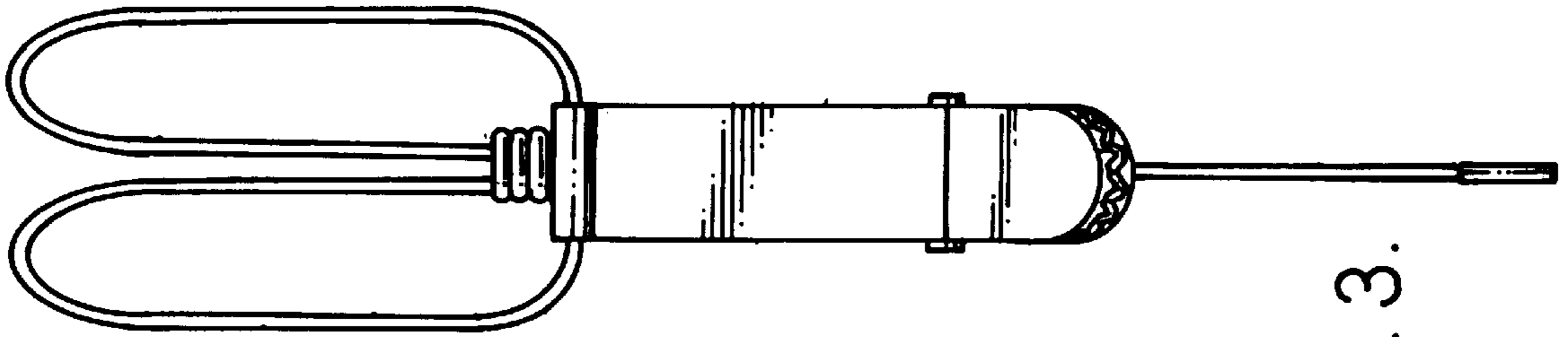


FIG. 3.

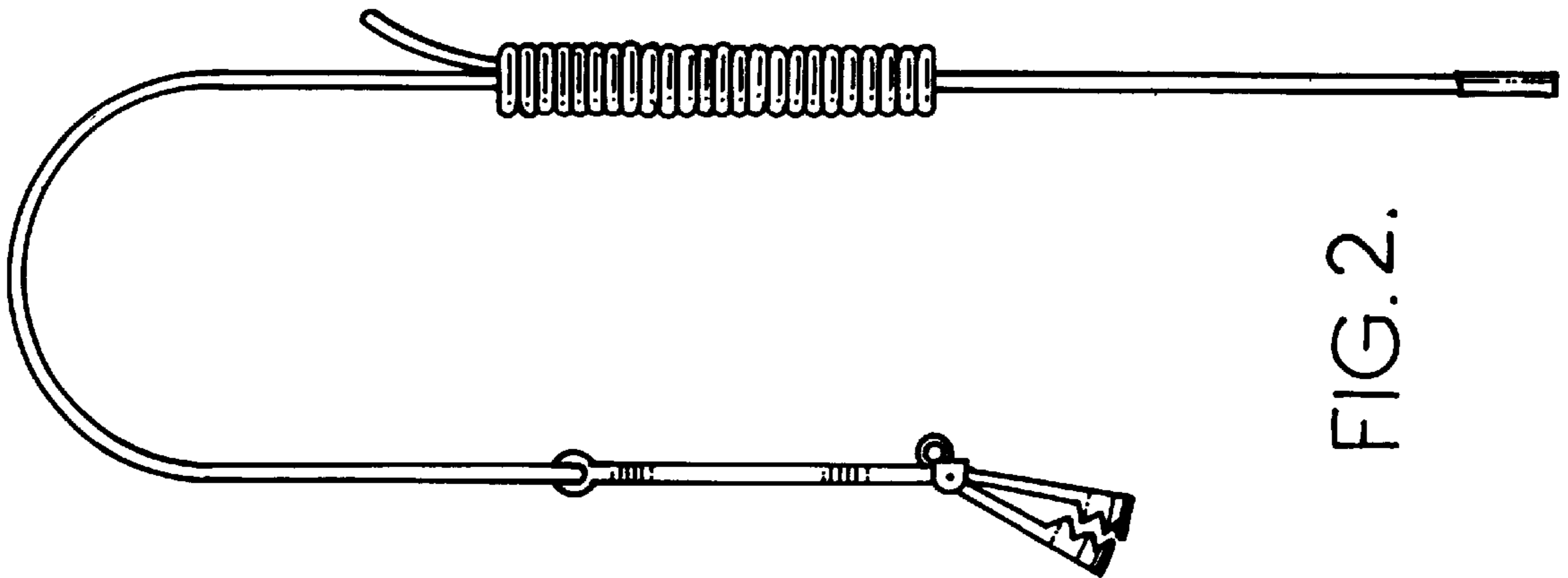


FIG. 2.

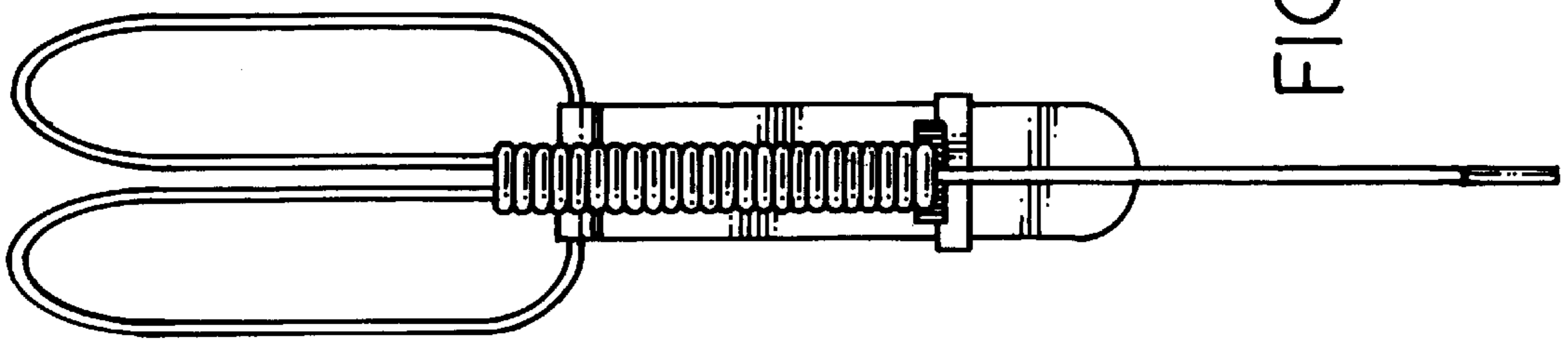


FIG. 4.

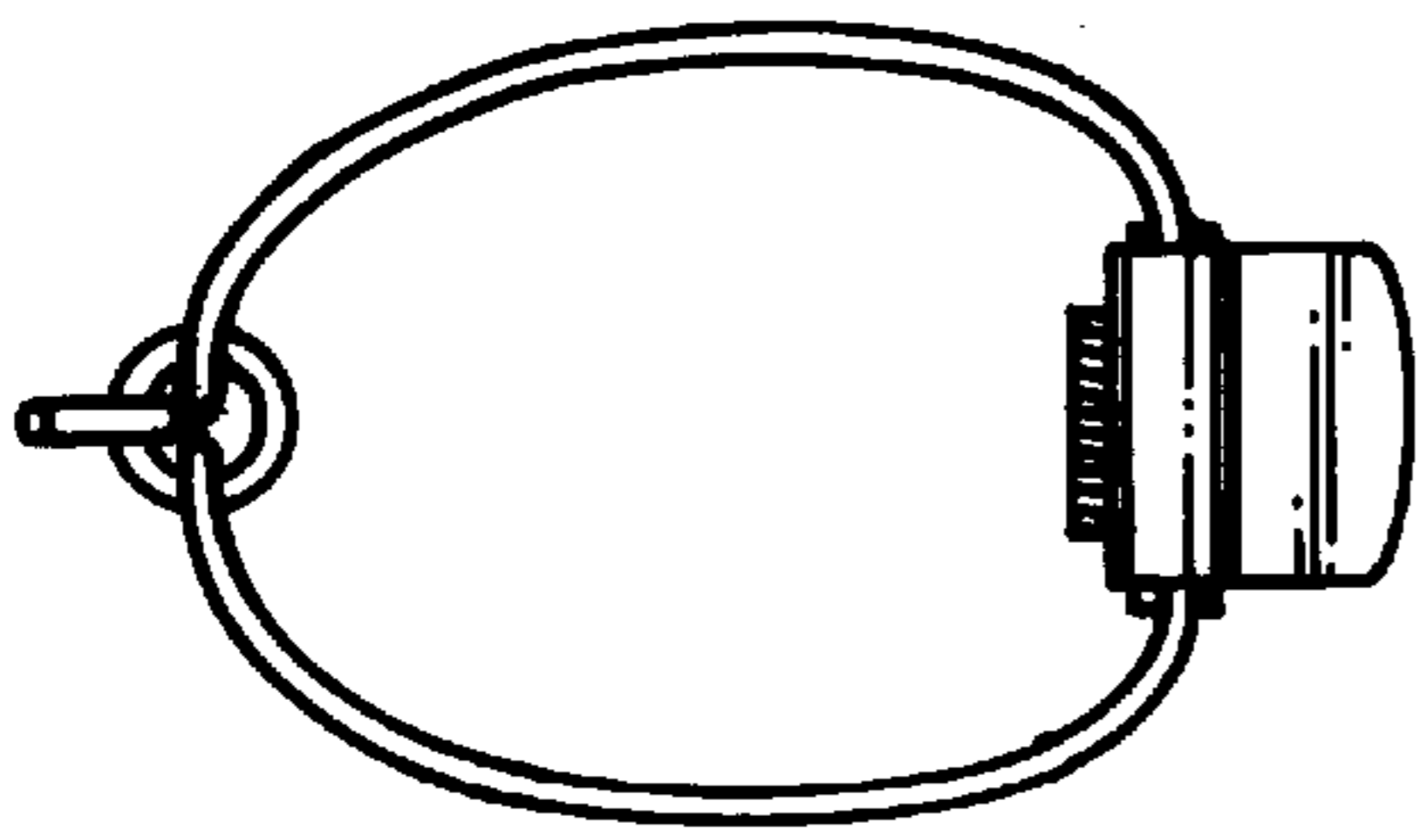


FIG. 5.

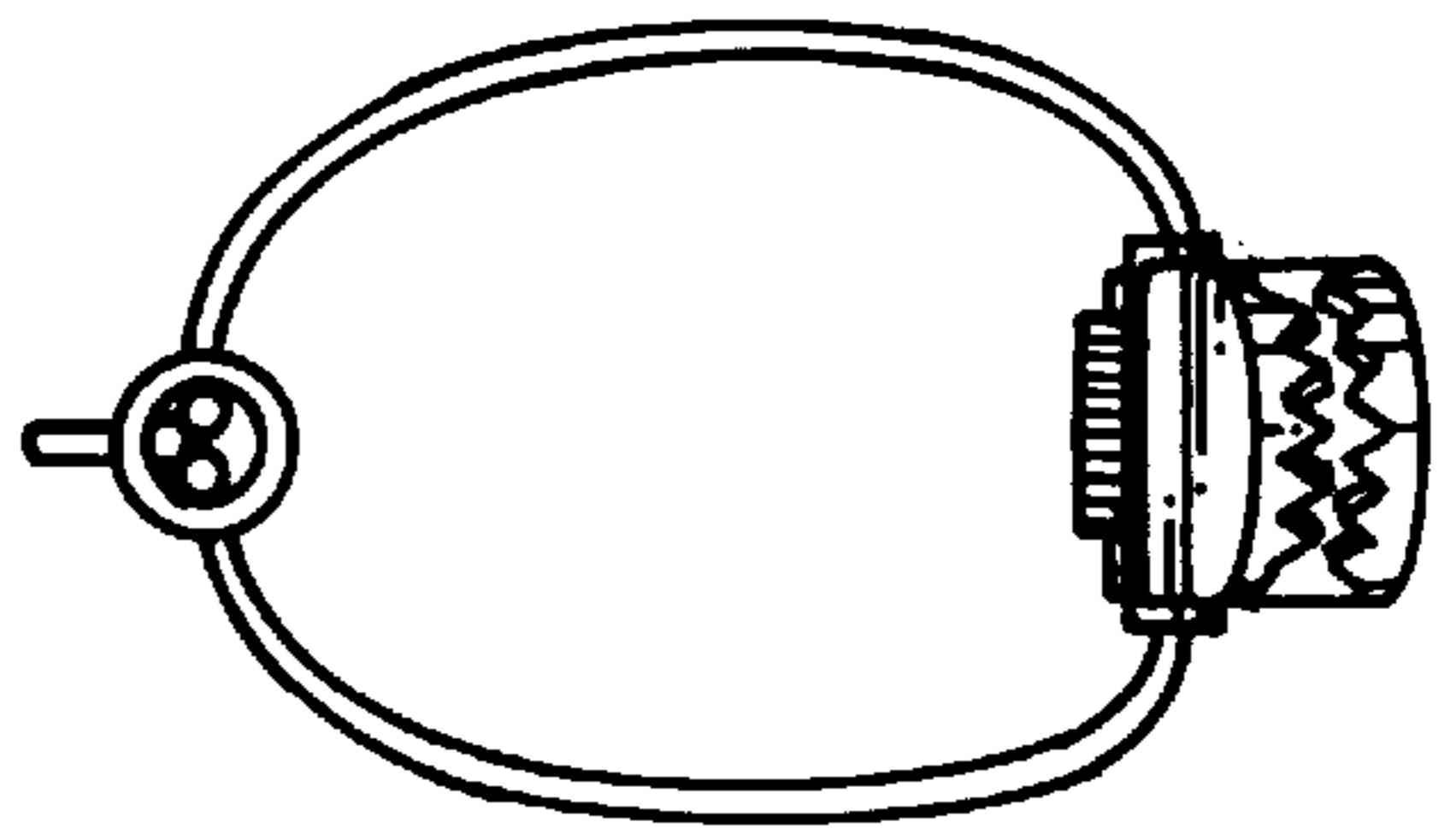


FIG. 6.