



US00D447080B1

(12) **United States Design Patent**  
**Itzkowitz**

(10) **Patent No.:** **US D447,080 S**

(45) **Date of Patent:** **\*\* Aug. 28, 2001**

(54) **JEWELRY ITEM**

(75) Inventor: **Israel Itzkowitz**, County of Los Angeles, CA (US)

(73) Assignee: **Ambar Diamonds, Inc.**, Los Angeles, CA (US)

(\*\*) Term: **14 Years**

(21) Appl. No.: **29/120,781**

(22) Filed: **Mar. 27, 2000**

(51) **LOC (7) Cl.** ..... **11-01**

(52) **U.S. Cl.** ..... **D11/40; D11/26; D11/79**

(58) **Field of Search** ..... D11/40-79, 81, D11/26-39, 91; 63/12, 18, 20, 22-23, 26, 33, 40

(56) **References Cited**

**U.S. PATENT DOCUMENTS**

D. 254,054	*	1/1980	Barr	.....	D11/91
D. 339,762	*	9/1993	Coleman	.....	D11/79
373,514	*	11/1887	Byrne	.....	D11/91
D. 377,770	*	2/1997	Udco	.....	D11/75
D. 379,074	*	5/1997	Udco	.....	D11/91
D. 391,516	*	3/1998	Kothari	.....	D11/75
D. 414,132	*	9/1999	Ambar	.....	D11/81
D. 423,397	*	4/2000	Raviv et al.	.....	D11/91
D. 431,204	*	9/2000	Gurevich et al.	.....	D11/92
813,084	*	2/1906	Dover	.....	D11/91

2,018,079	*	10/1935	Macioci	.....	63/26
6,003,335	*	12/1999	Gurevich et al.	.....	63/26
6,146,723	*	11/2000	Arends	.....	63/26

\* cited by examiner

*Primary Examiner*—Cathy Anne MacCormac

(74) *Attorney, Agent, or Firm*—Howard C. Miskin; Gloria Tsui-Yip

(57) **CLAIM**

The ornamental design for a jewelry item, as shown and described.

**DESCRIPTION**

FIG. 1 is a perspective view of a jewelry item shown in a position of use as an earring;

FIG. 2 is a top plan view;

FIG. 3 is a bottom plan view;

FIG. 4 is a front elevational view;

FIG. 5 is a rear elevational view;

FIG. 6 is a left side view;

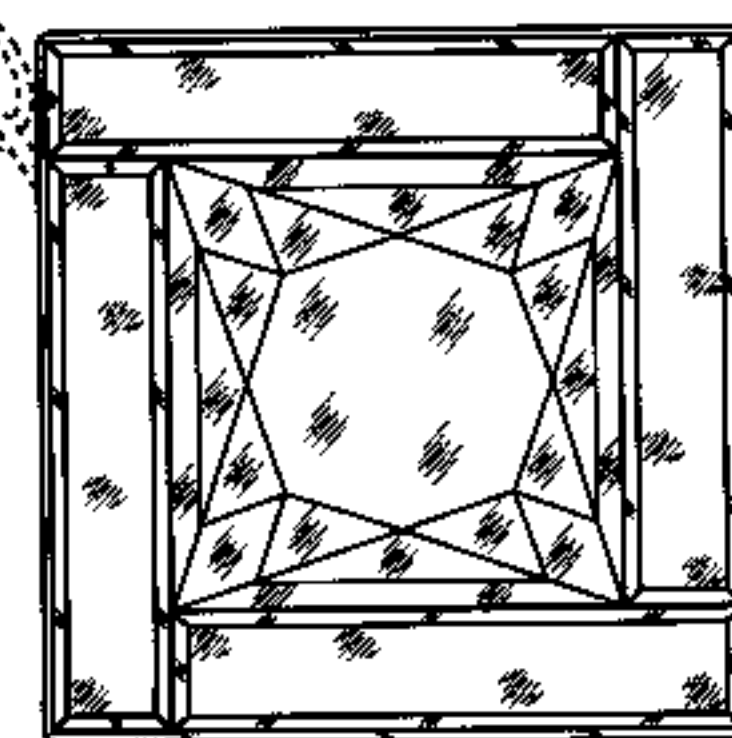
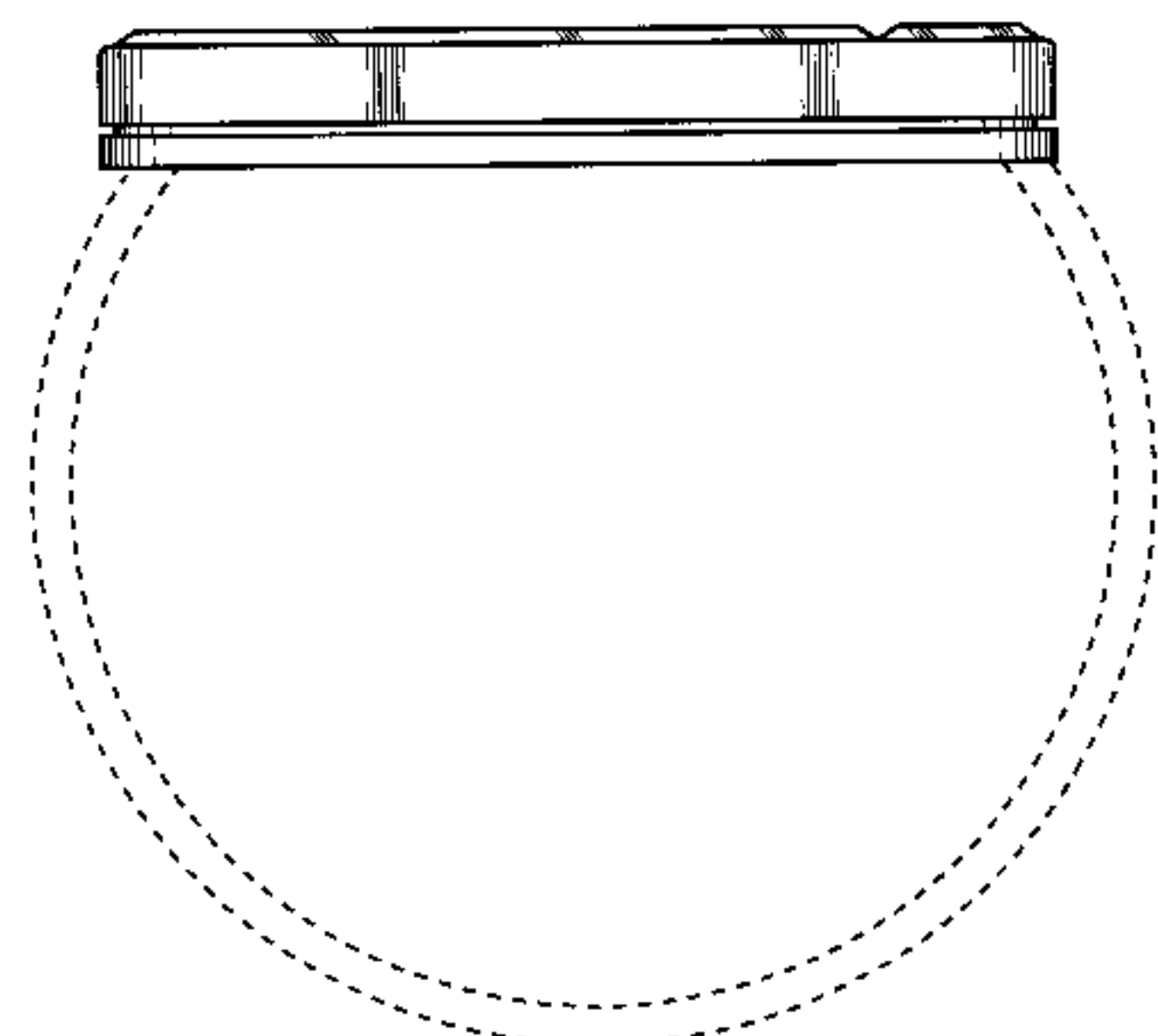
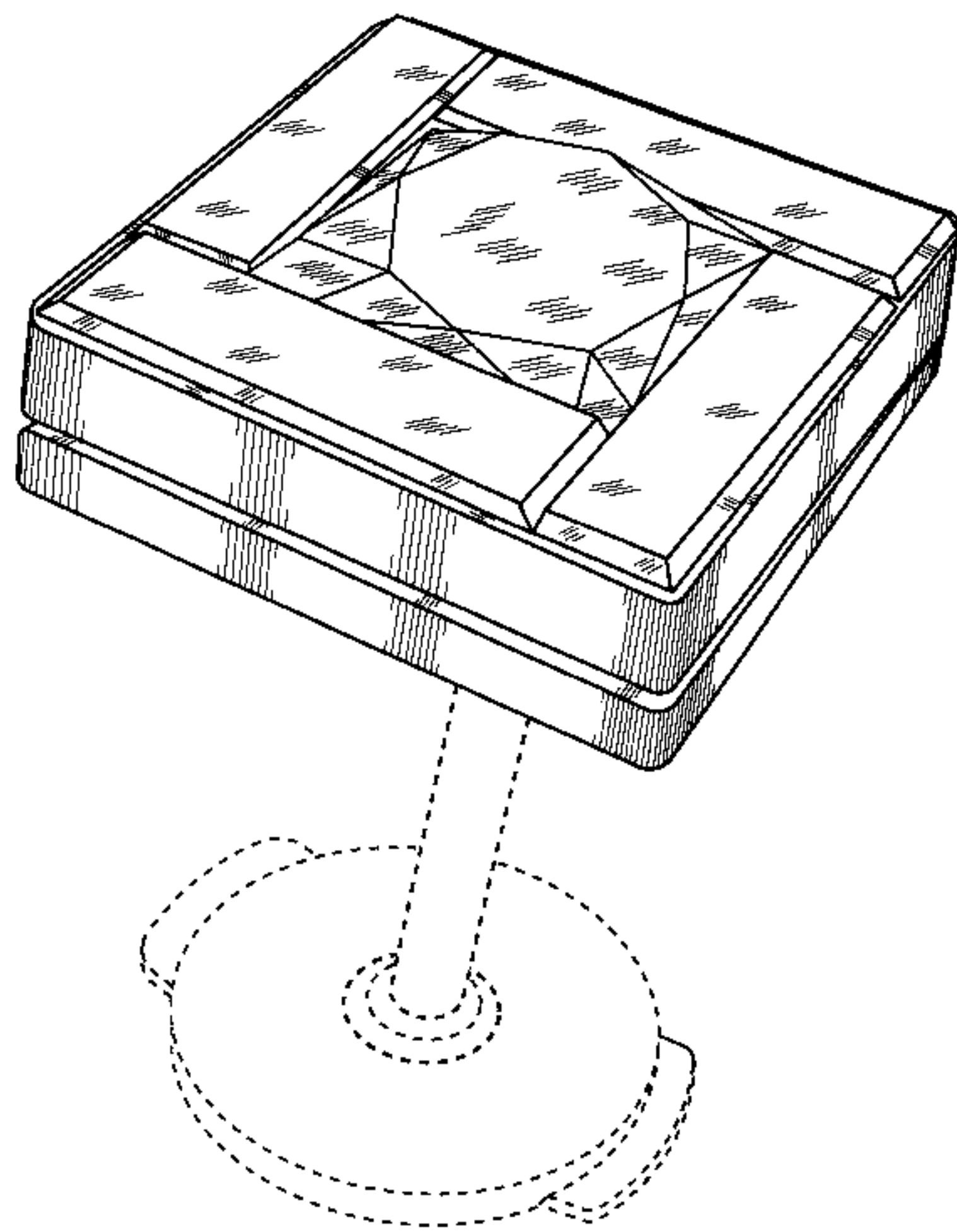
FIG. 7 is a right side view;

FIG. 8 is a right side view shown in a position of use as a finger ring; and,

FIG. 9 is a front elevational view shown in a position of use as a pendant.

The broken lines in FIGS. 1, 8 and 9 are for illustrative purposes only and form no part of the claimed design.

**1 Claim, 4 Drawing Sheets**



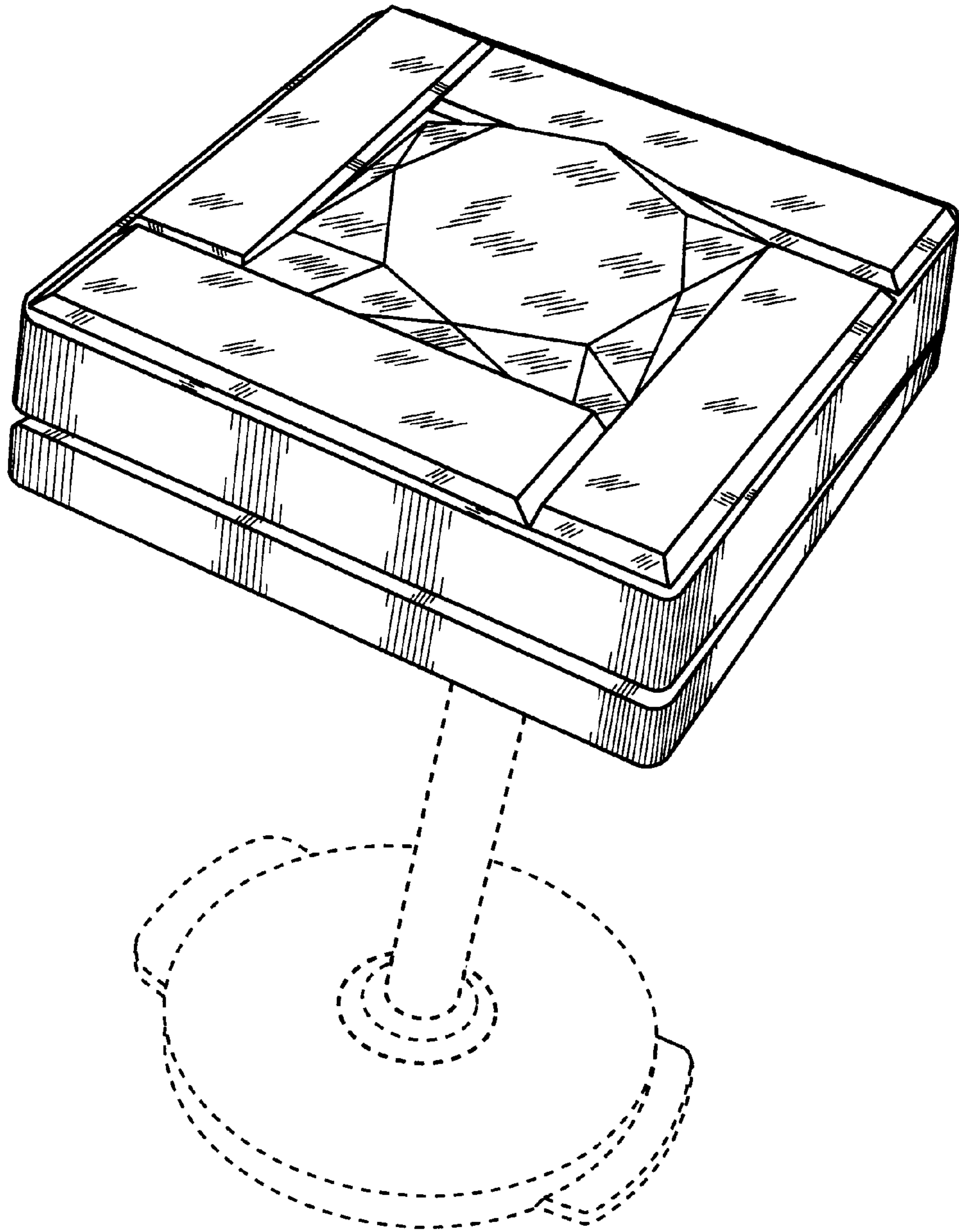


FIG. 1

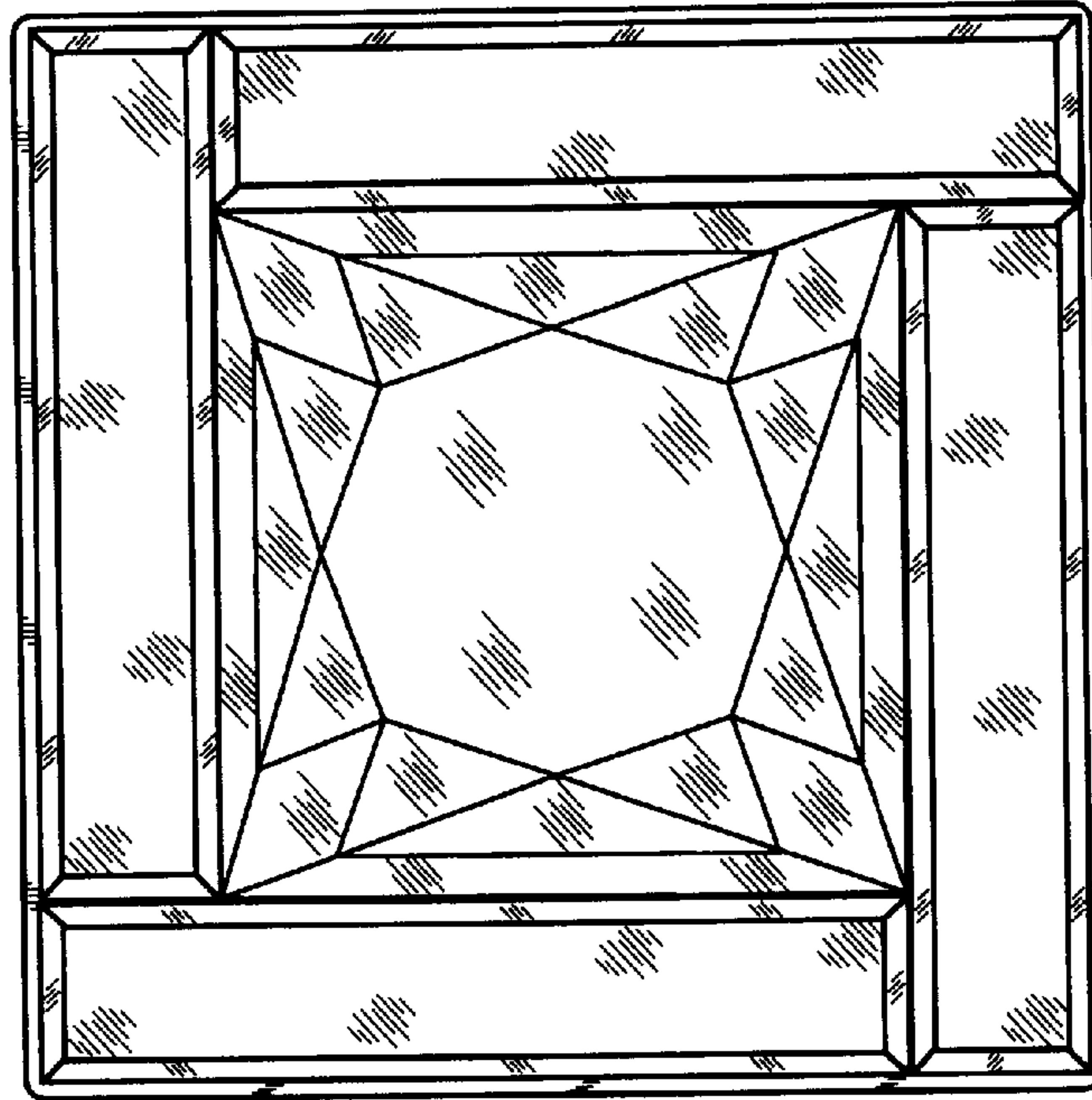


FIG. 2

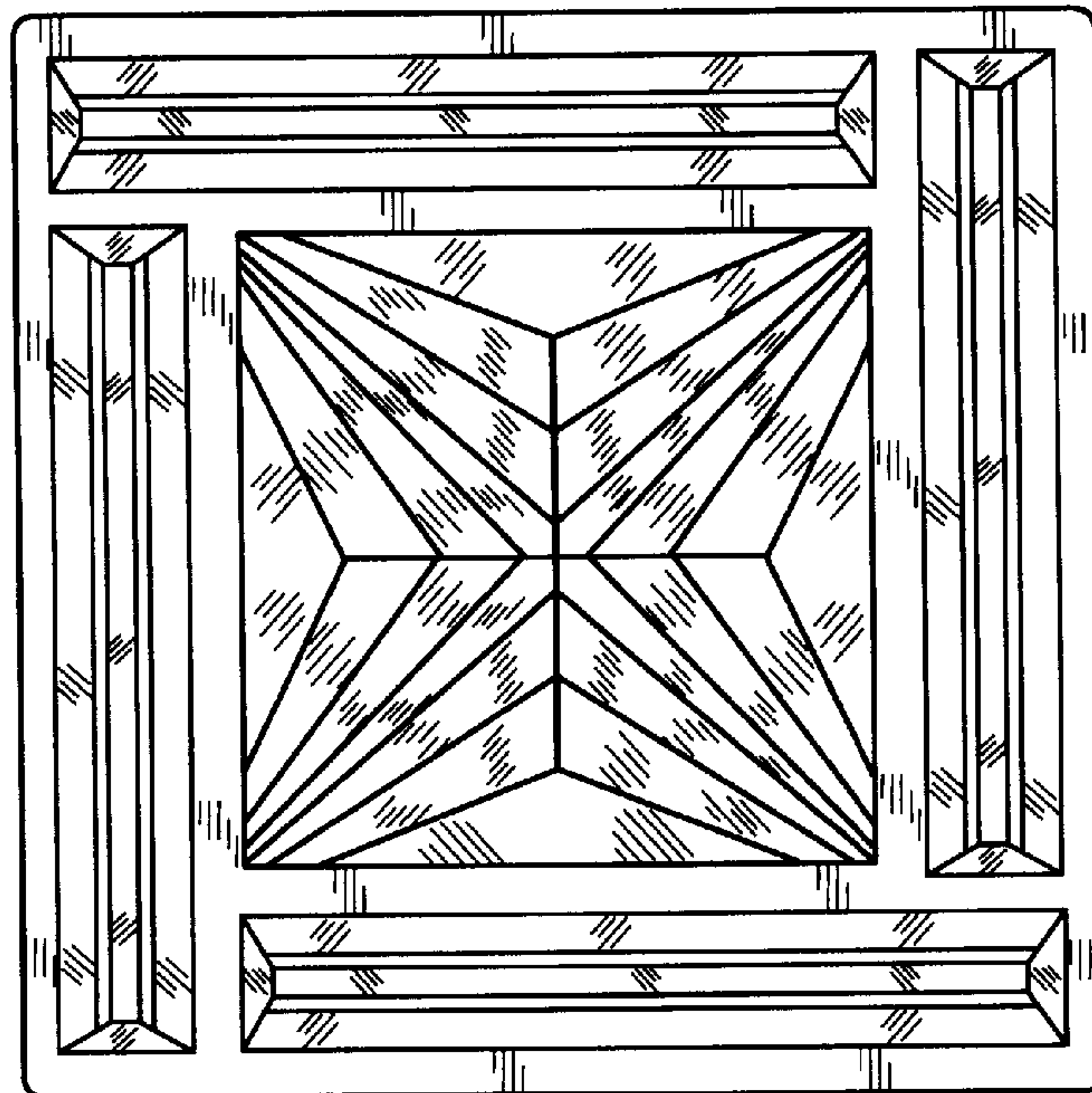


FIG. 3

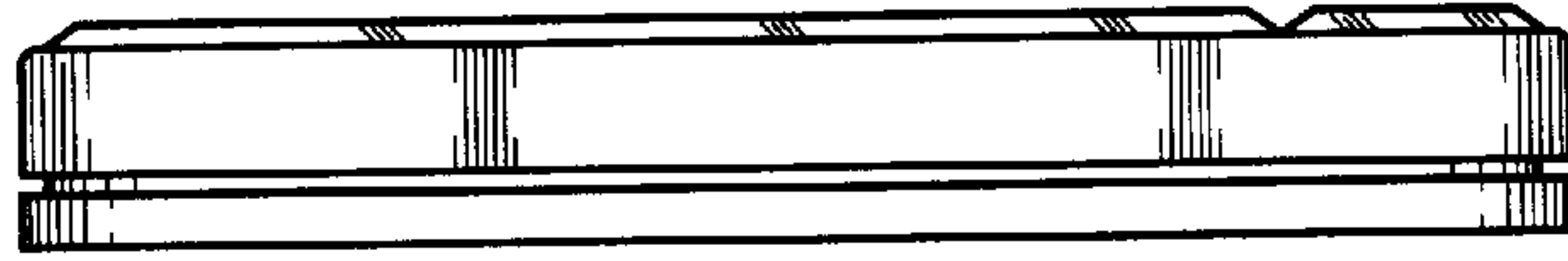


FIG. 4

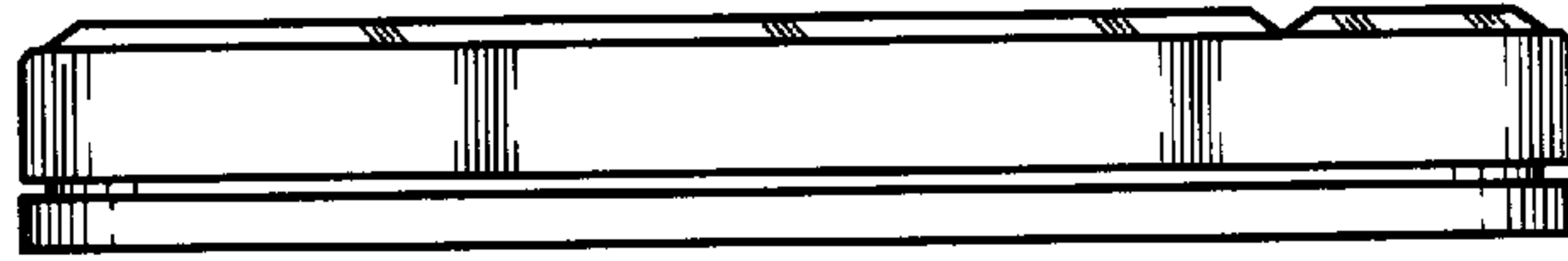


FIG. 5

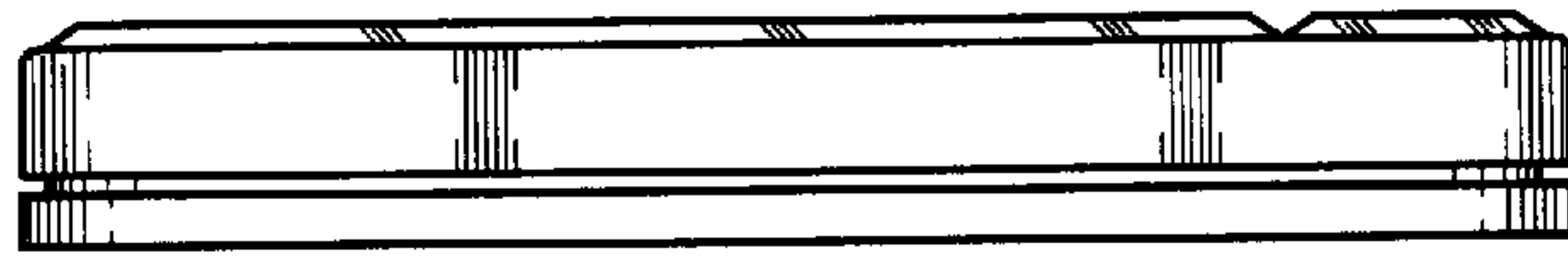


FIG. 6

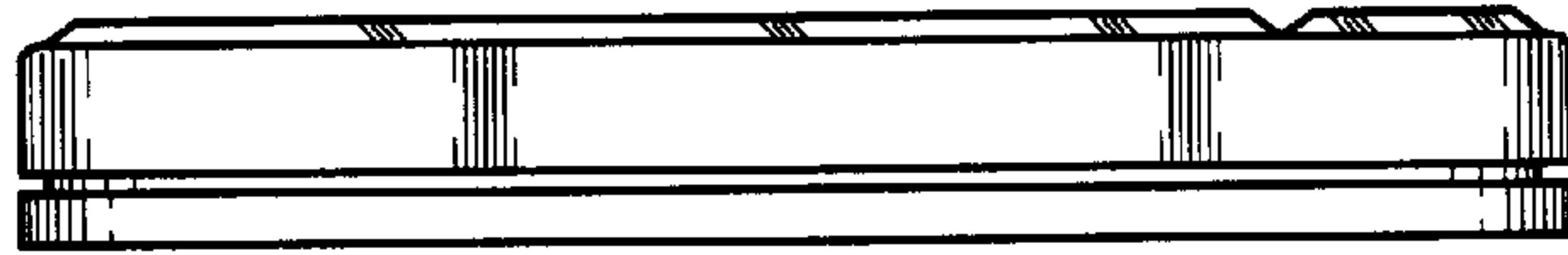


FIG. 7

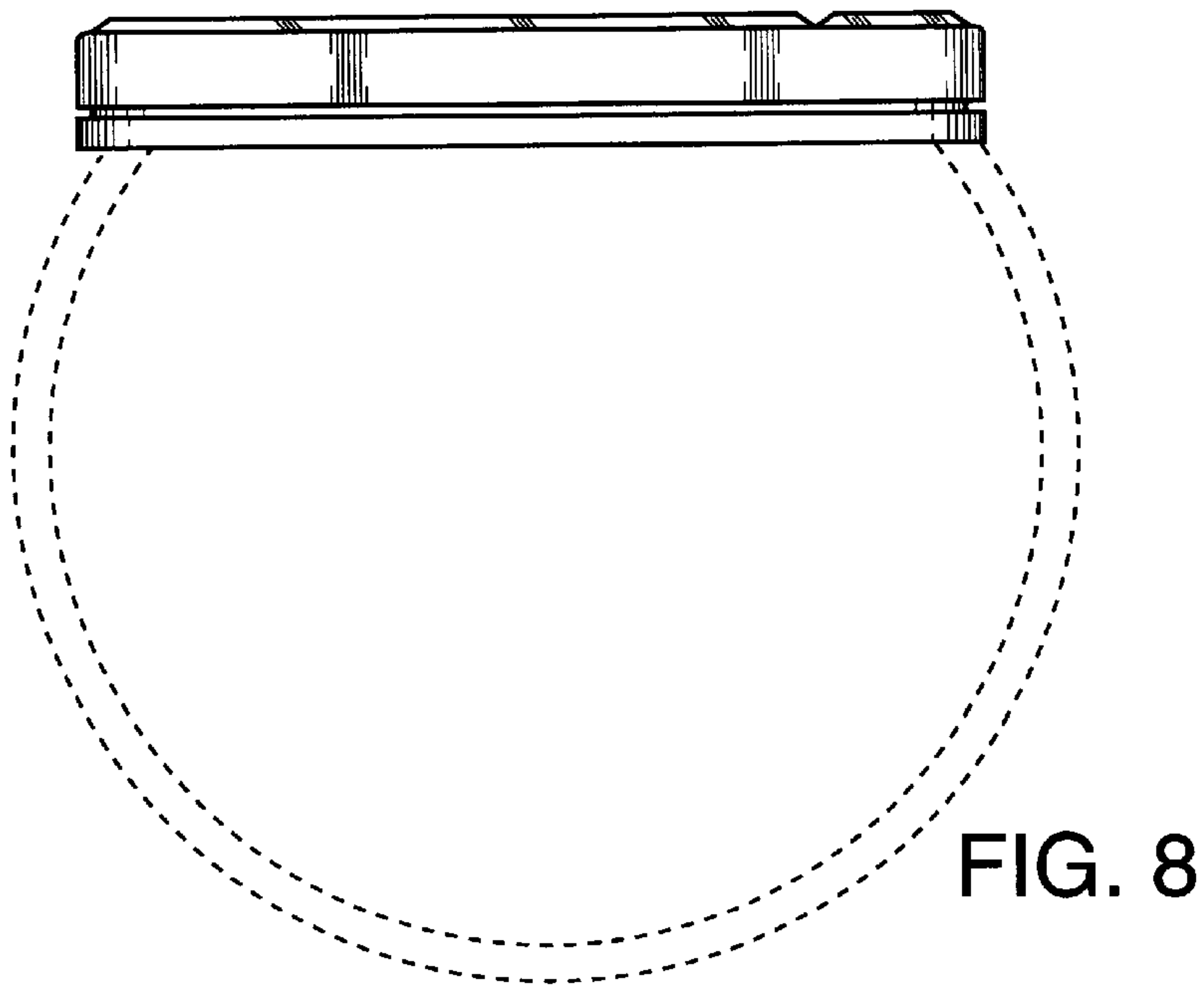


FIG. 8





FIG. 9