



US00D447076B1

(12) **United States Design Patent**  
**Matlock**

(10) **Patent No.:** **US D447,076 S**

(45) **Date of Patent:** **\*\* Aug. 28, 2001**

(54) **WHISTLE**

(76) Inventor: **William C Matlock**, 8483 Yearling Way, Riverside, CA (US) 92509

(\*\*) Term: **14 Years**

(21) Appl. No.: **29/065,232**

(22) Filed: **Jan. 27, 1997**

(51) **LOC (7) Cl.** ..... **10-05**

(52) **U.S. Cl.** ..... **D10/119**

(58) **Field of Search** ..... D10/104, 116, 118, 119, 120; 446/202, 203, 204, 205, 206, 207, 208, 209, 210

(56) **References Cited**

**U.S. PATENT DOCUMENTS**

- D. 140,756 \* 4/1945 Thompson ..... D10/119
- D. 311,878 \* 11/1990 Mingus et al. .... D10/119

- D. 330,523 \* 10/1992 Killion ..... D10/119
- D. 377,383 \* 1/1997 Morocco ..... D10/119
- D. 397,634 \* 9/1998 Day ..... D10/119

\* cited by examiner

*Primary Examiner*—Marcus A. Jackson

(57) **CLAIM**

The ornamental design for a whistle, as shown.

**DESCRIPTION**

FIG. 1 is a front view of a whistle showing my new design;  
FIG. 2 is a side view thereof;  
FIG. 3 is a back view thereof;  
FIG. 4 is a front view thereof;  
FIG. 5 is a side view thereof;  
FIG. 6 is a back view thereof; and,  
FIG. 7 is a perspective view thereof.

**1 Claim, 1 Drawing Sheet**



fig 2

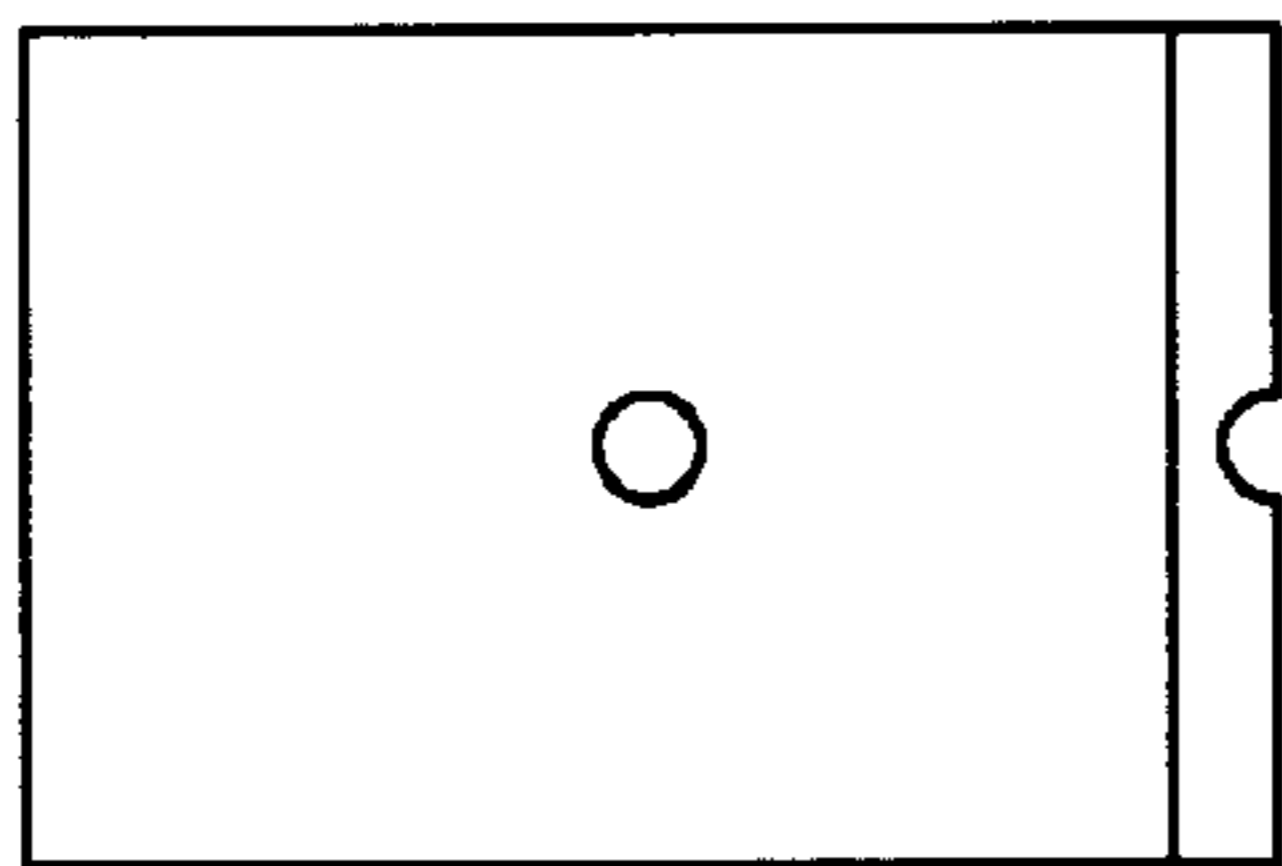


fig 1



fig 3



fig 5



fig 6



fig 7

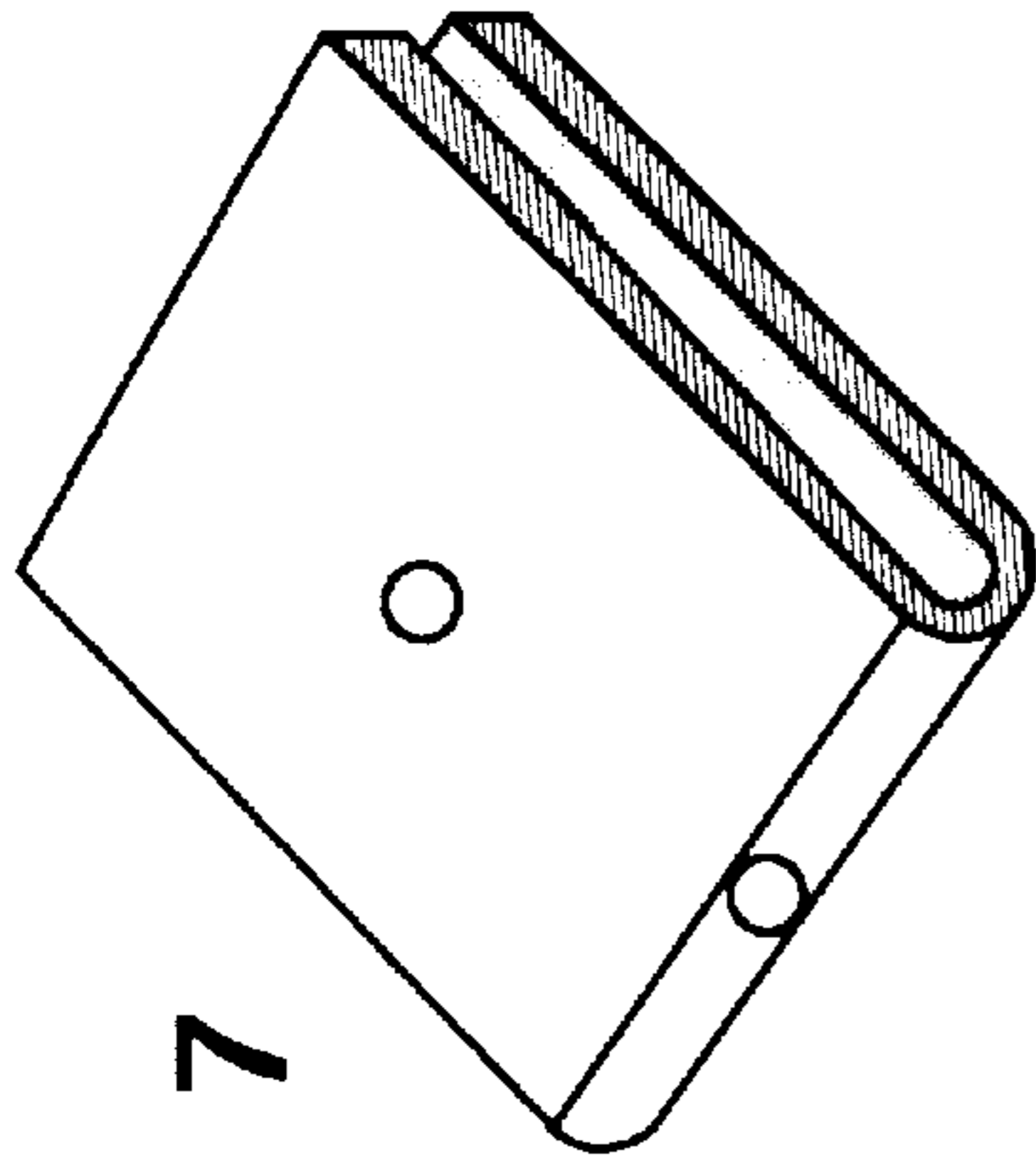


fig 4

