



US00D447073B1

(12) **United States Design Patent**
Okamoto et al.

(10) **Patent No.:** **US D447,073 S**

(45) **Date of Patent:** **** Aug. 28, 2001**

(54) **AUTOMATIC TABLET BOTTLING MACHINE**

D. 426,563 * 6/2000 Yang D10/97 X

* cited by examiner

(75) Inventors: **Yasutoshi Okamoto; Akihiro Mochizuki**, both of Moriguchi (JP)

Primary Examiner—Antoine Duval Davis
(74) *Attorney, Agent, or Firm*—Weingarten, Schurgin, Gagnebin & Hayes LLP

(73) Assignee: **Sanyo Electric Co., Ltd.**, Osaka-fu (JP)

(**) Term: **14 Years**

(57) **CLAIM**

The ornamental design for an automatic tablet bottling machine, as shown.

(21) Appl. No.: **29/131,688**

(22) Filed: **Oct. 26, 2000**

DESCRIPTION

(30) **Foreign Application Priority Data**

Apr. 27, 2000 (JP) 12-011257

(51) **LOC (7) Cl.** **10-04**

(52) **U.S. Cl.** **D10/97; D24/111**

(58) **Field of Search** D10/97; D24/111;
414/403, 675; 453/30, 33, 58; 222/57, 190;
210/169; 221/13, 272; 422/268

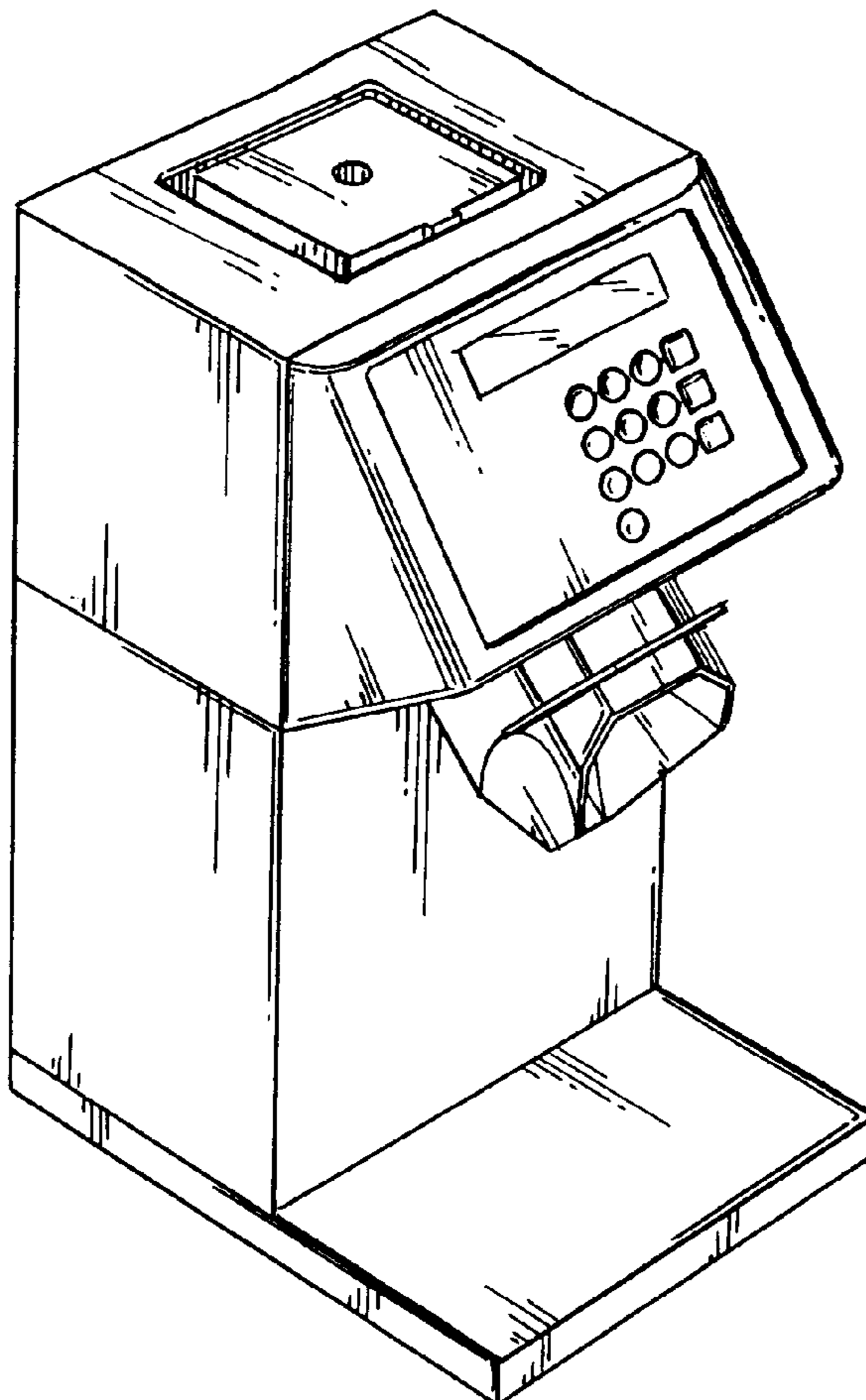
FIG. 1 is a perspective view of automatic tablet bottling machine looking from the upper left-side direction thereof; FIG. 2 is a front view thereof; FIG. 3 is a top view thereof; FIG. 4 is a right-side view thereof; FIG. 5 is a left-side view thereof; FIG. 6 is a rear view thereof; FIG. 7 is a bottom view thereof; and, FIG. 8 is a perspective view of automatic tablet bottling machine showing the state of use thereof.

(56) **References Cited**

U.S. PATENT DOCUMENTS

D. 337,539 * 7/1993 Leamon D10/97

1 Claim, 4 Drawing Sheets



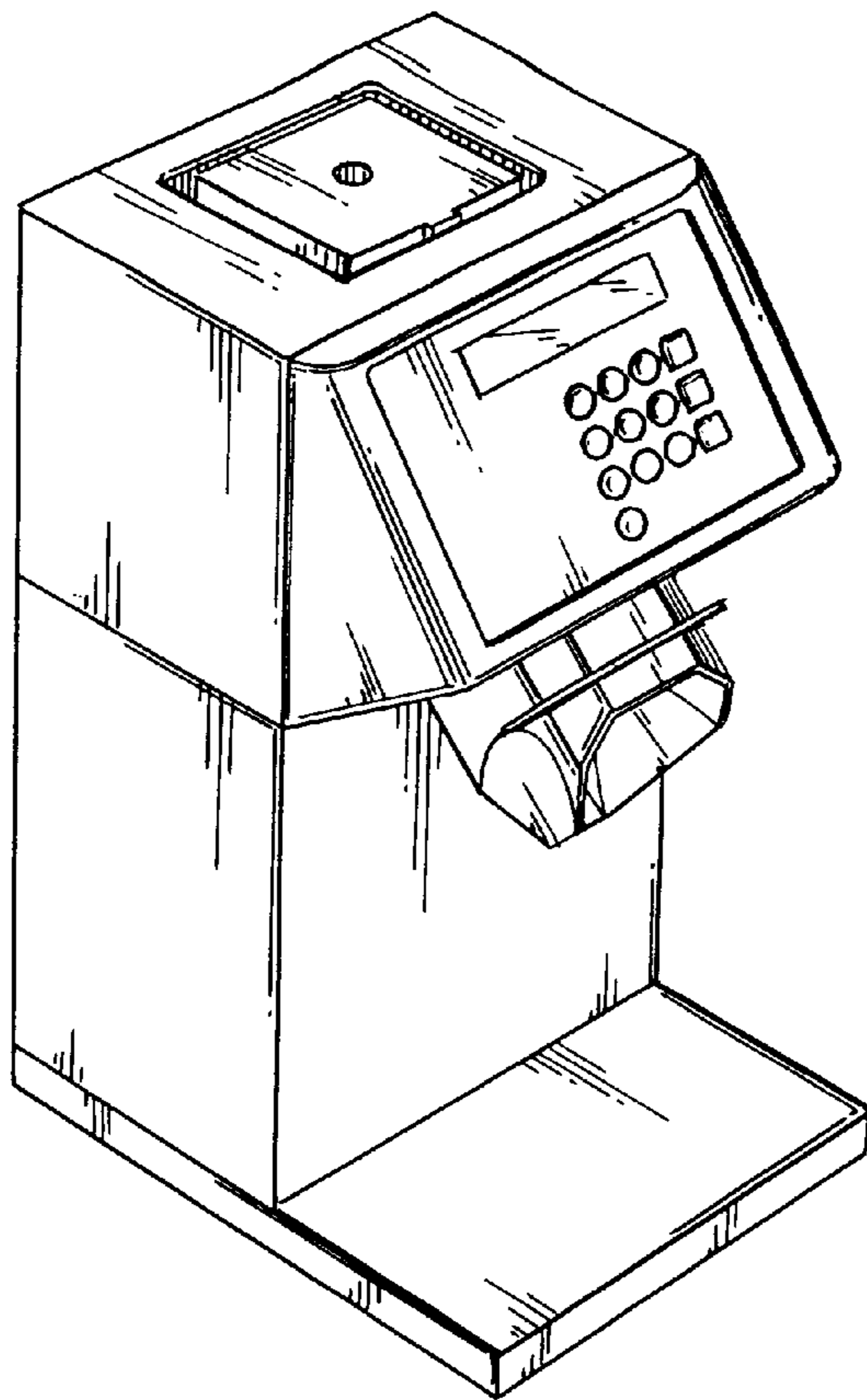


Fig. 1

Fig. 2

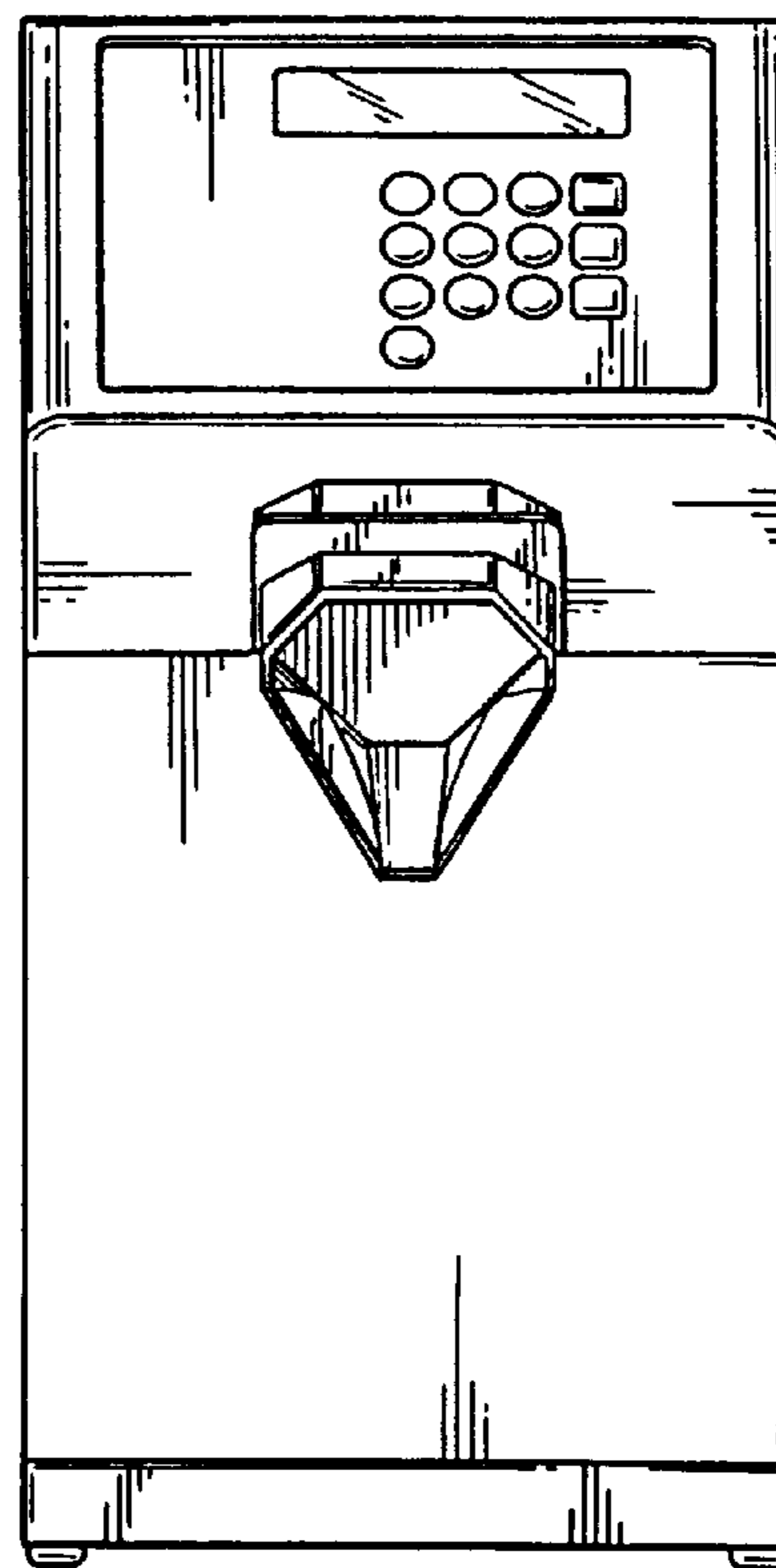


Fig. 3

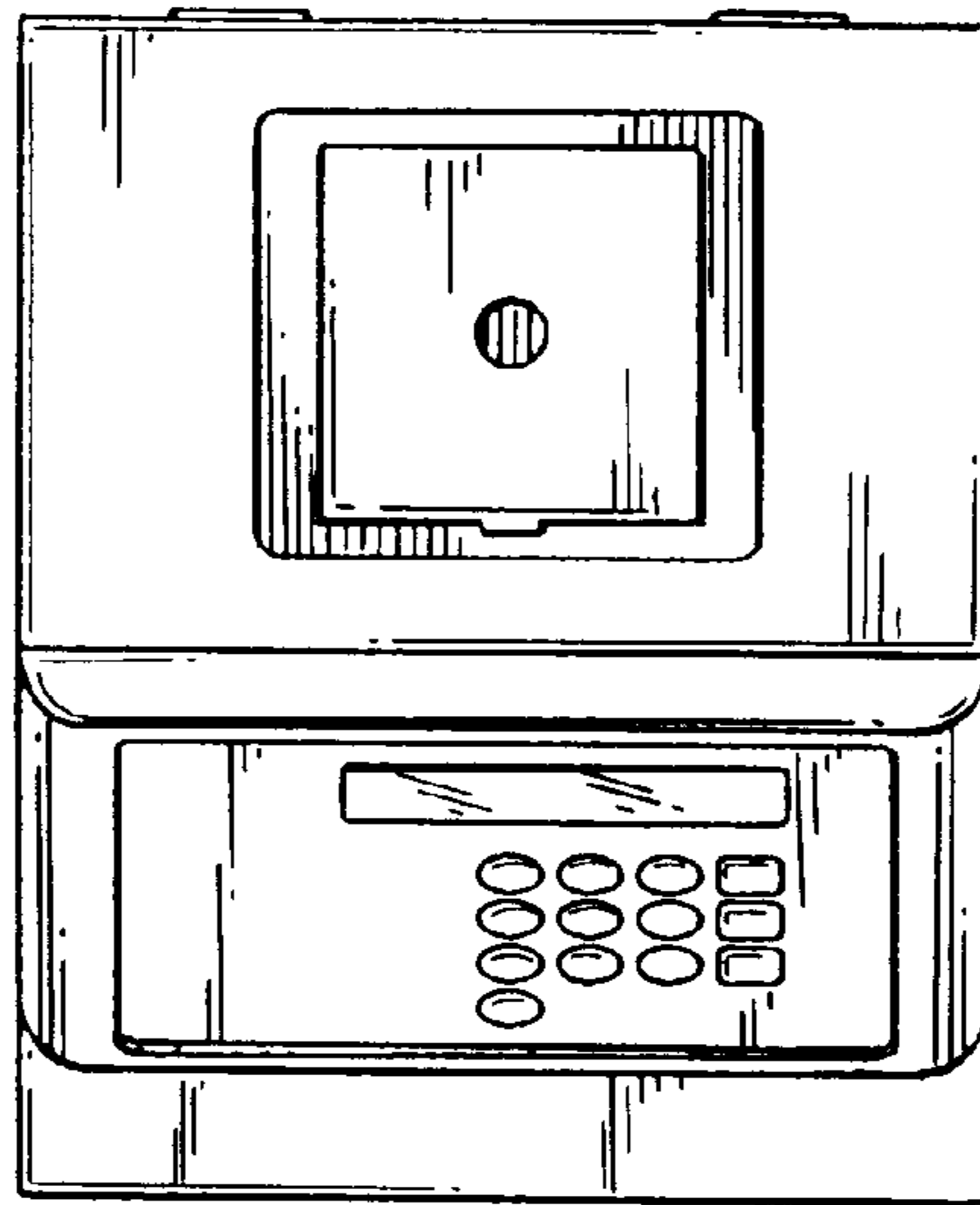
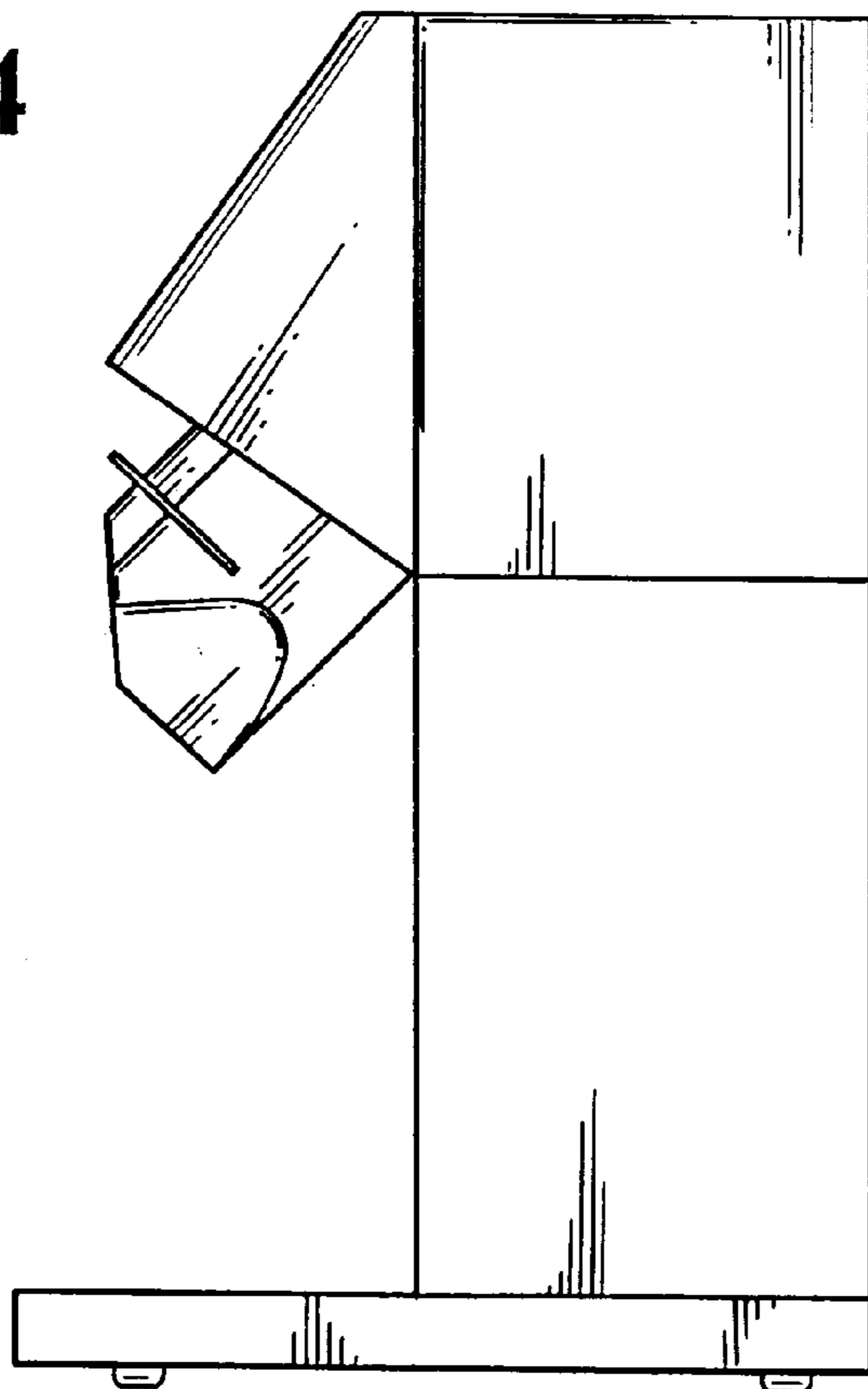


Fig. 4



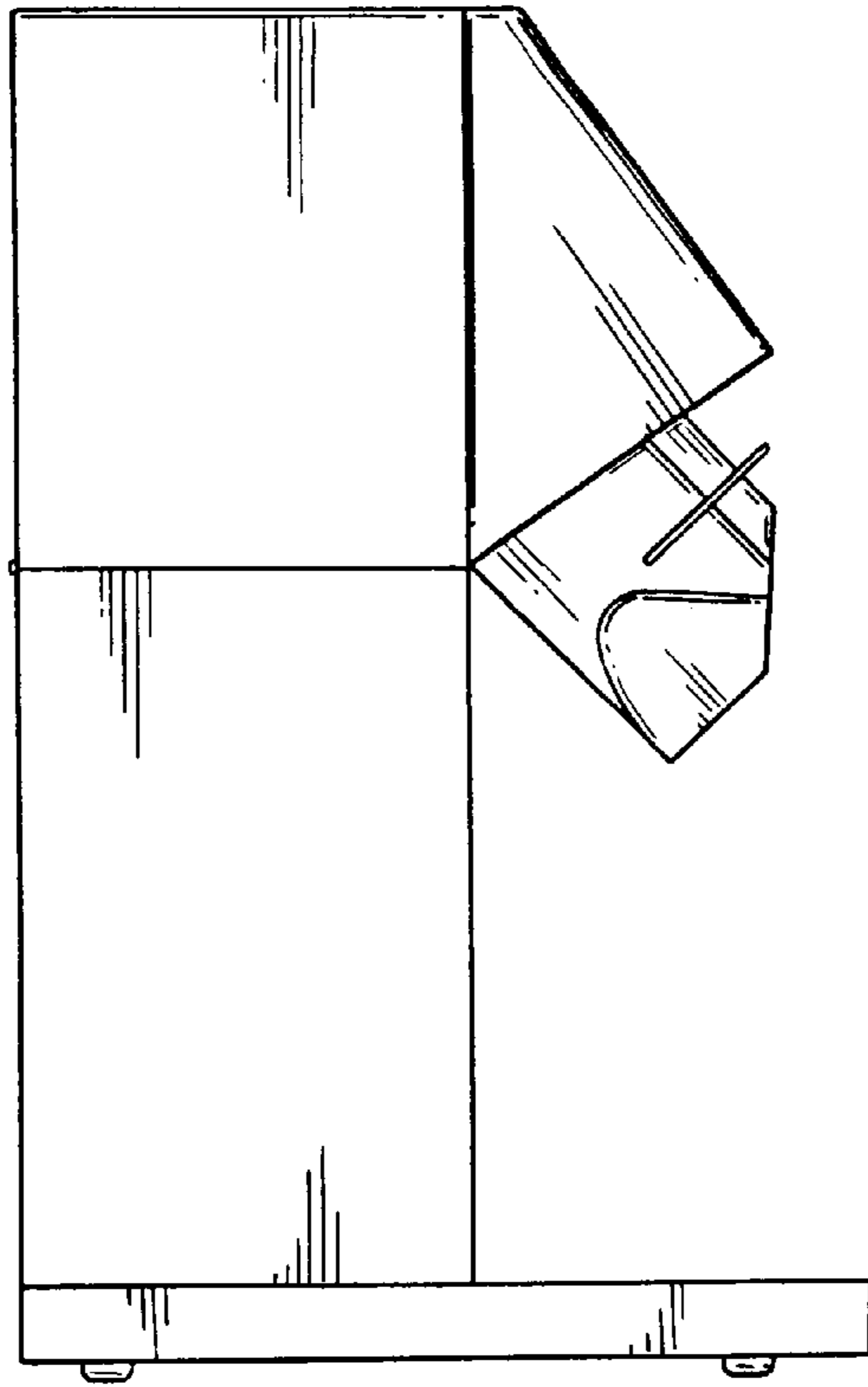


Fig. 5

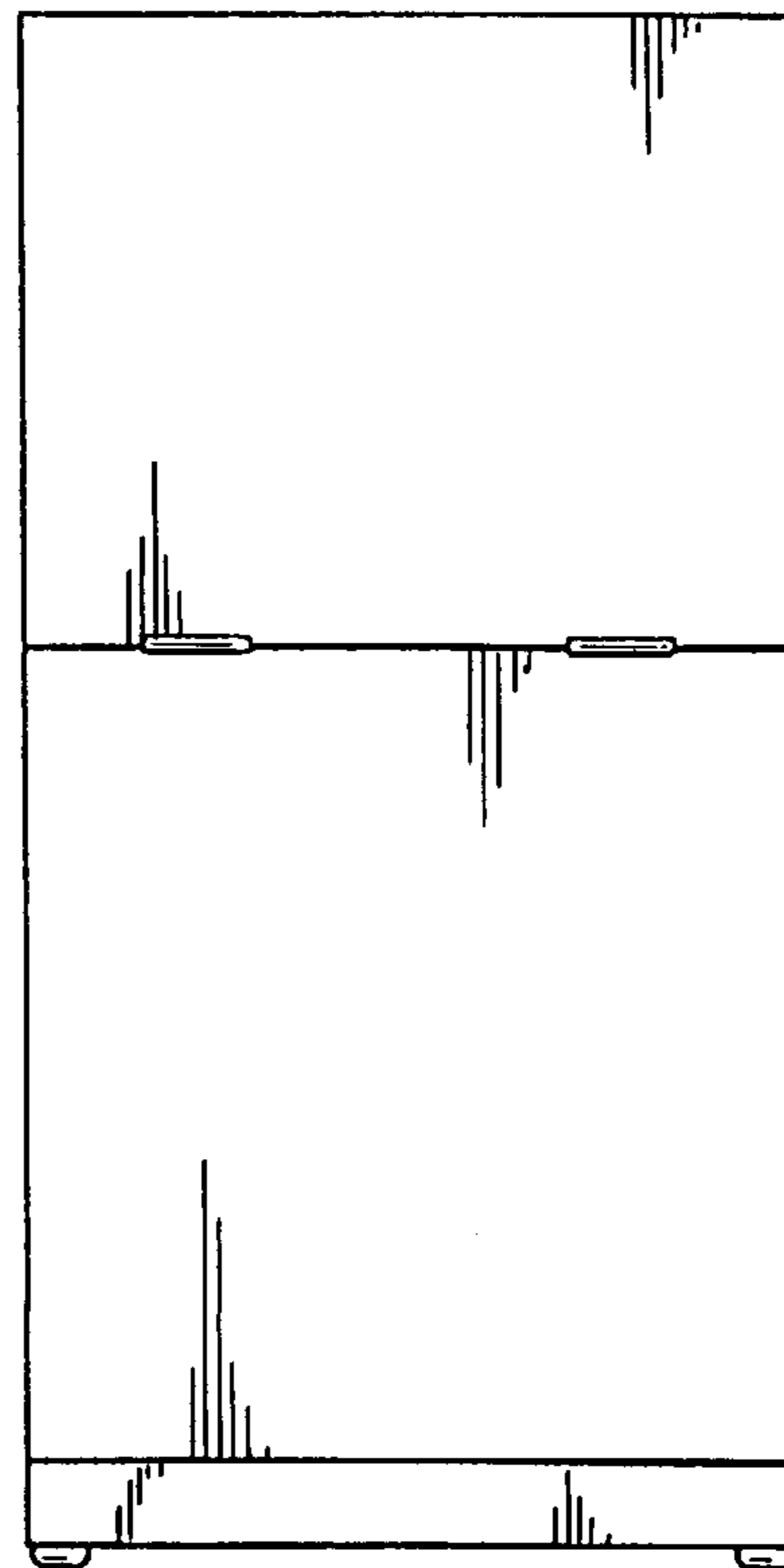


Fig. 6

Fig. 7

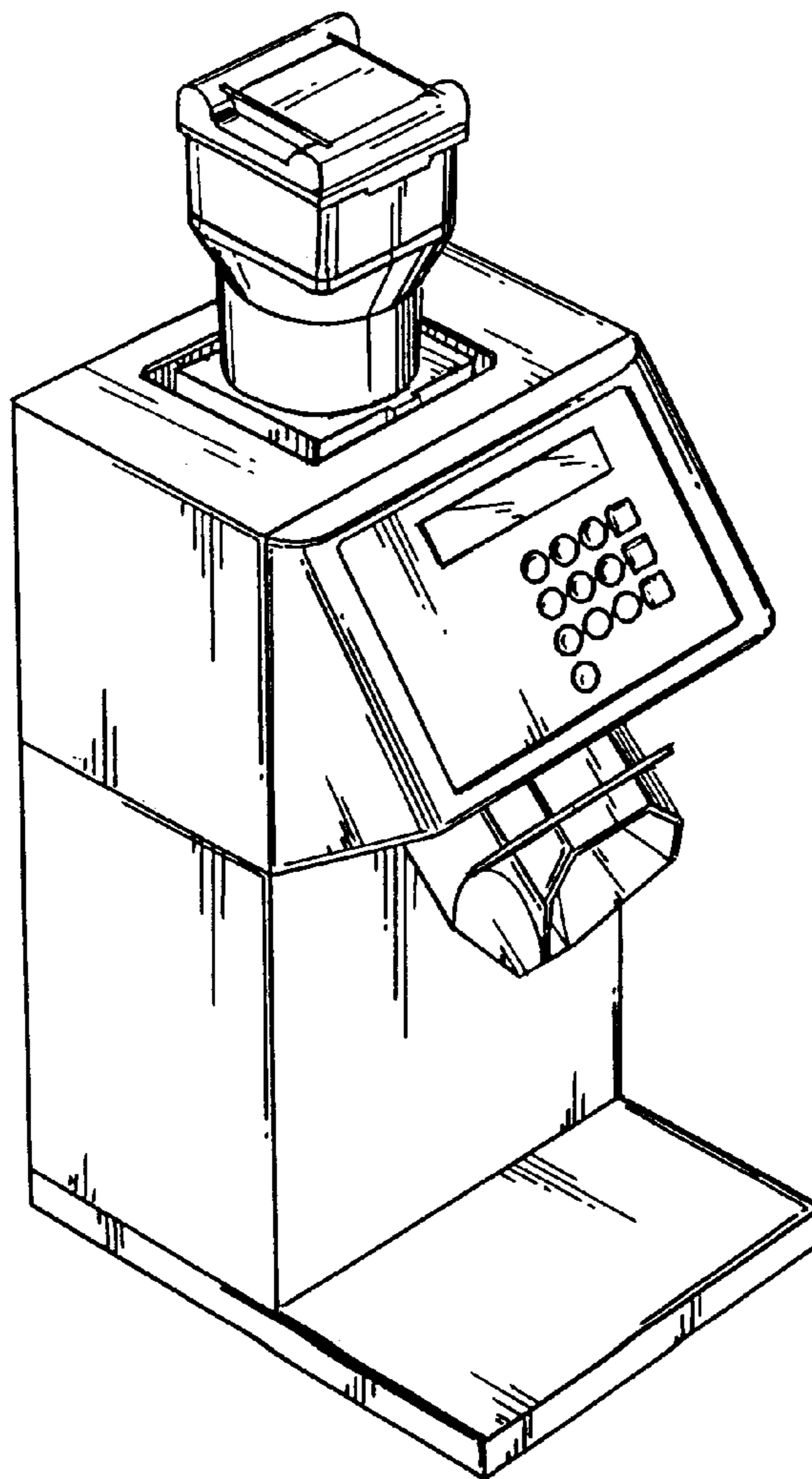
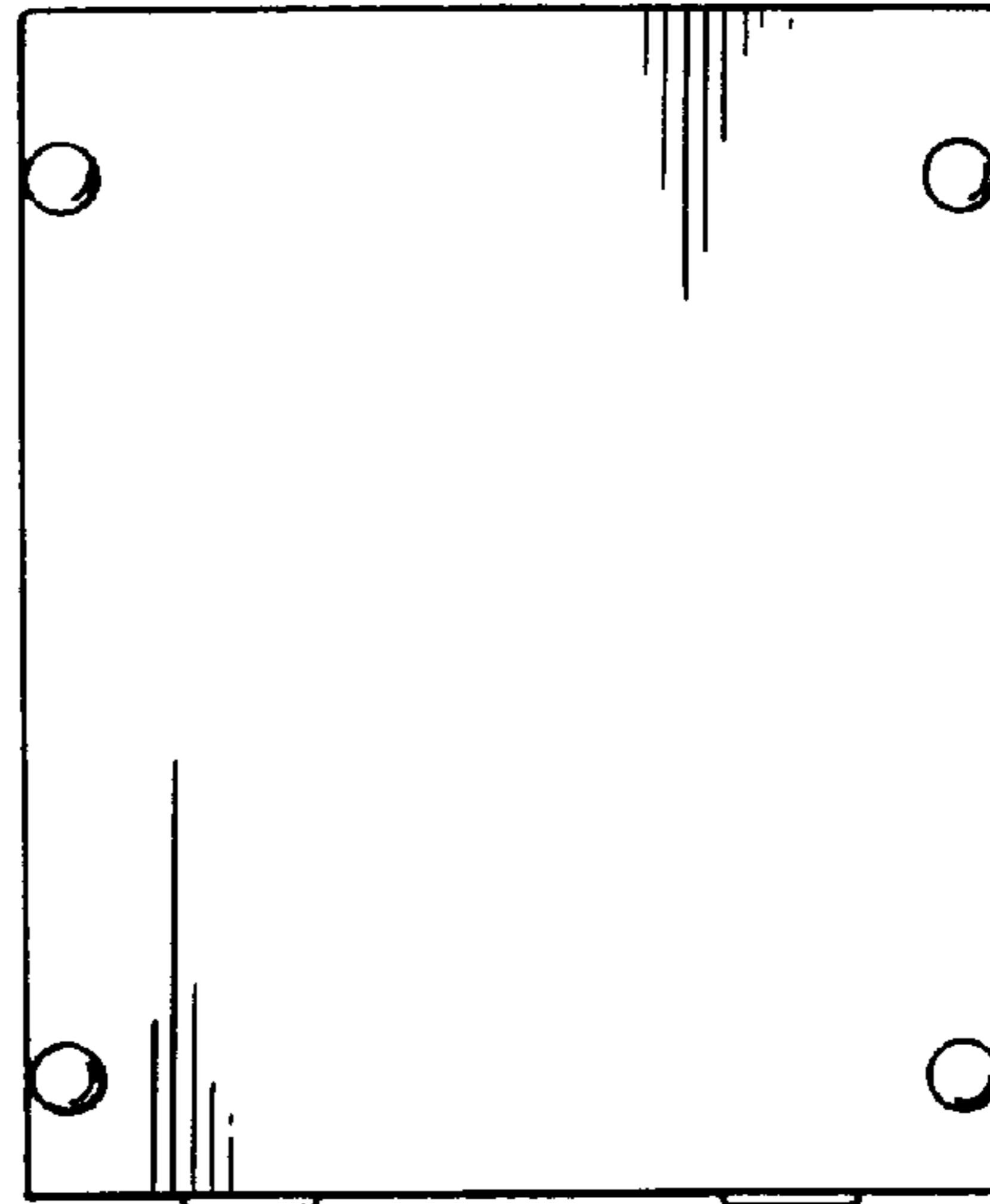


Fig. 8

UNITED STATES PATENT AND TRADEMARK OFFICE
CERTIFICATE OF CORRECTION

PATENT NO. : Des. 447,073 S
DATED : August 28, 2001
INVENTOR(S) : Yasutoshi Okamoto et al.

Page 1 of 1

It is certified that error appears in the above-identified patent and that said Letters Patent is hereby corrected as shown below:

Title page,

Item [30], **Foreign Application Priority Data**, "12-011257" should read
-- 2000-011257 --.

Signed and Sealed this

Twenty-second Day of October, 2002

Attest:



Attesting Officer

JAMES E. ROGAN
Director of the United States Patent and Trademark Office