



US00D447070B1

(12) **United States Design Patent**  
**Chen**

(10) **Patent No.:** **US D447,070 S**

(45) **Date of Patent:** **\*\* Aug. 28, 2001**

(54) **MULTI-METER**

(76) Inventor: **Li-Chuan Chen**, 7th Fl., No. 31, Lane  
513, Ruikwang Rd., Taipei (TW)

(\*\*) Term: **14 Years**

(21) Appl. No.: **29/132,780**

(22) Filed: **Nov. 15, 2000**

(51) **LOC (7) Cl.** ..... **10-04**

(52) **U.S. Cl.** ..... **D10/79**

(58) **Field of Search** ..... D10/79; 324/115-117,  
324/126, 127-129, 130, 142, 143, 149,  
156, 156 P, 158 F

(56) **References Cited**

**U.S. PATENT DOCUMENTS**

- Re. 36,227 \* 6/1999 Arnoux ..... D10/79
- D. 413,538 \* 9/1999 Chen ..... D10/79
- 6,091,237 \* 7/2000 Chen ..... 324/142

\* cited by examiner

*Primary Examiner*—Antoine Duval Davis  
(74) *Attorney, Agent, or Firm*—Kolisch Hartwell Dickinson  
McCormack & Heuser

(57) **CLAIM**

The ornamental design for a multi-meter, as shown.

**DESCRIPTION**

FIG. 1 is a perspective view of a multi-meter, showing my new design;

FIG. 2 is a front elevational view thereof;

FIG. 3 is a rear elevational view thereof;

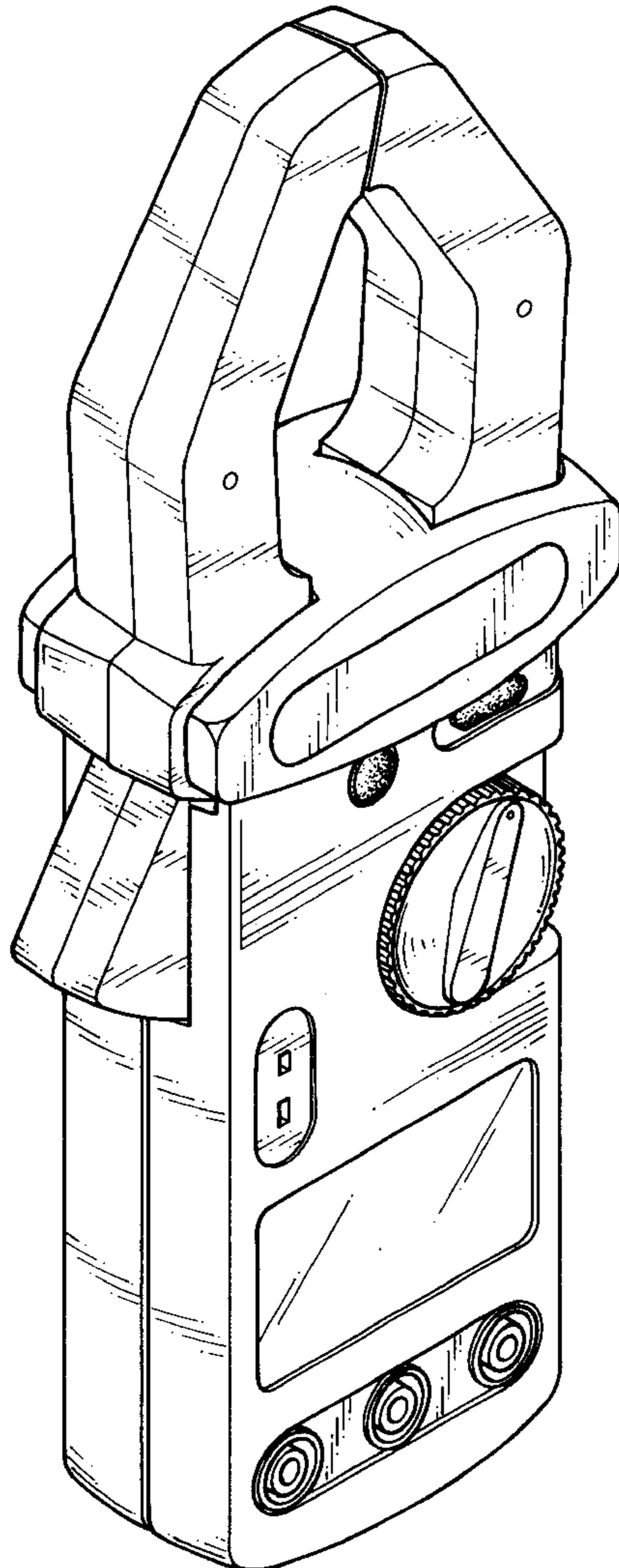
FIG. 4 is a left elevational view thereof;

FIG. 5 is a right elevational view thereof;

FIG. 6 is top plan view thereof; and,

FIG. 7 is a bottom plan view thereof.

**1 Claim, 6 Drawing Sheets**



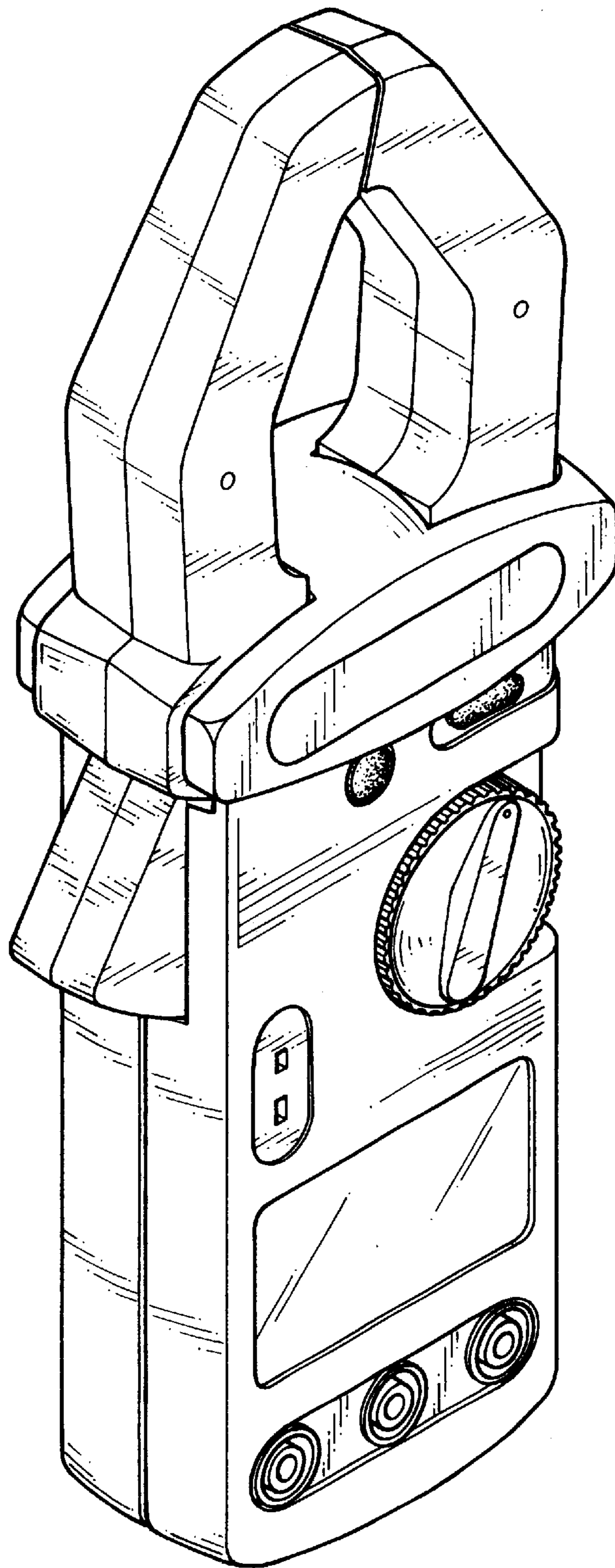


FIG.1

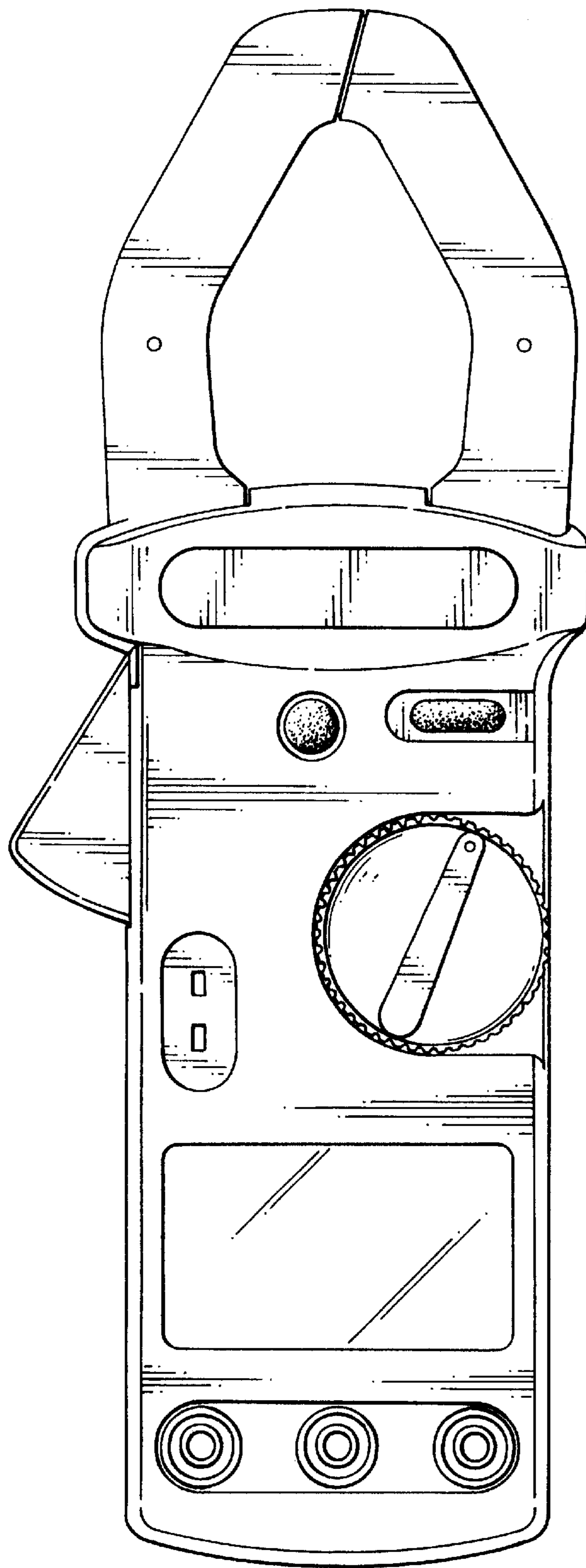


FIG. 2

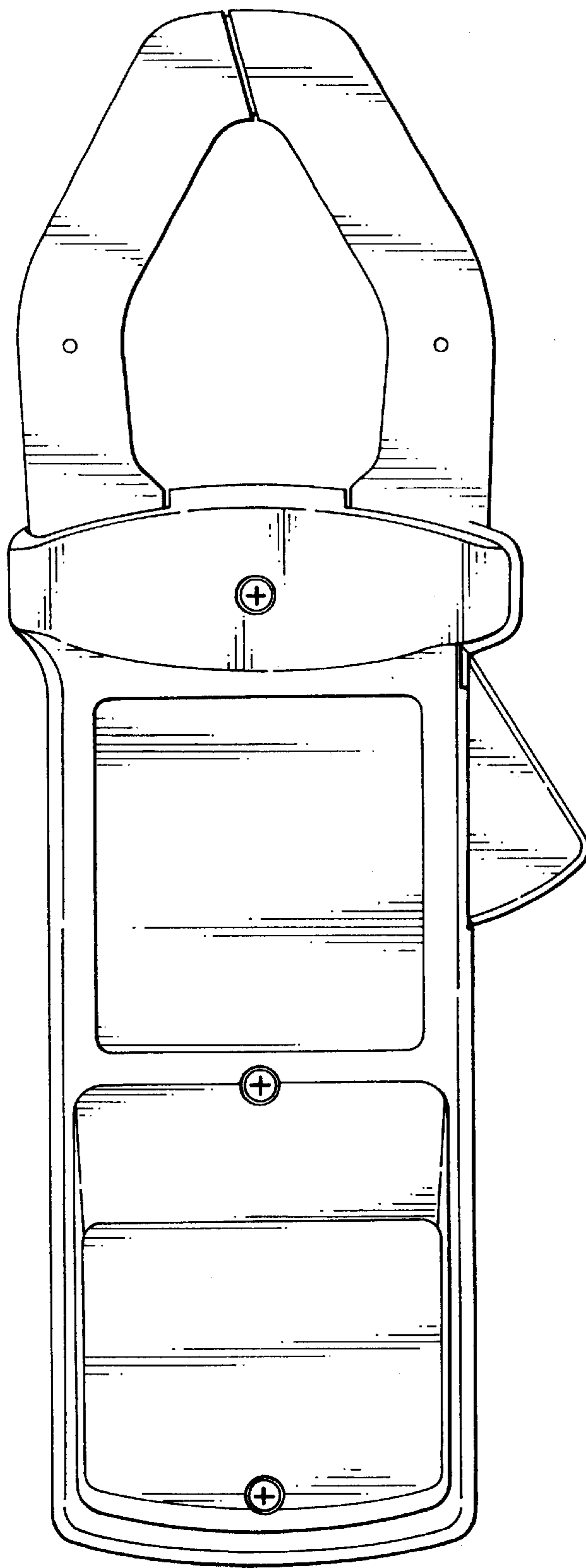


FIG. 3

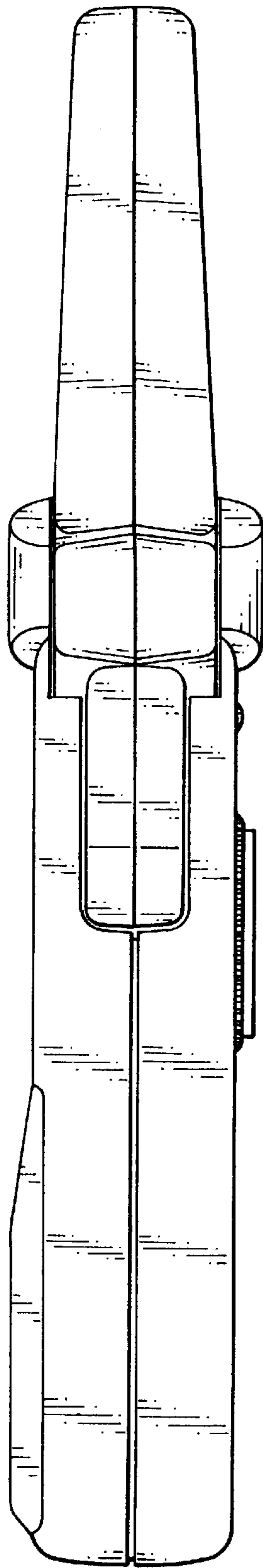


FIG. 4

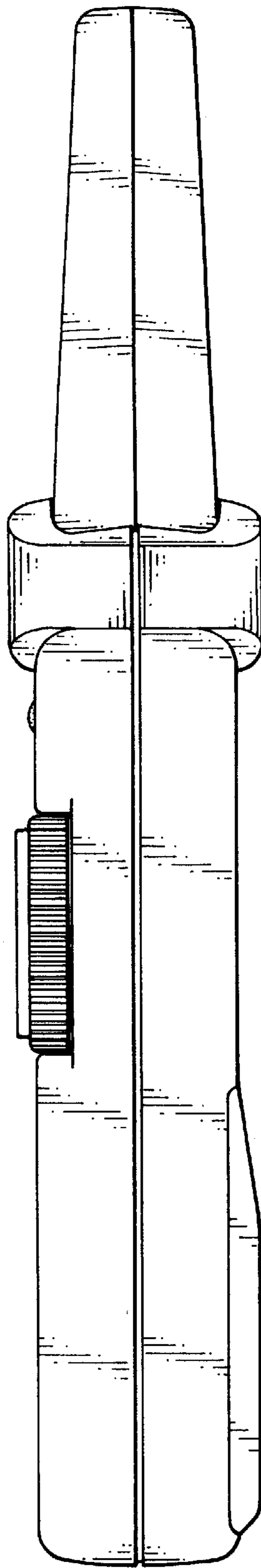


FIG. 5

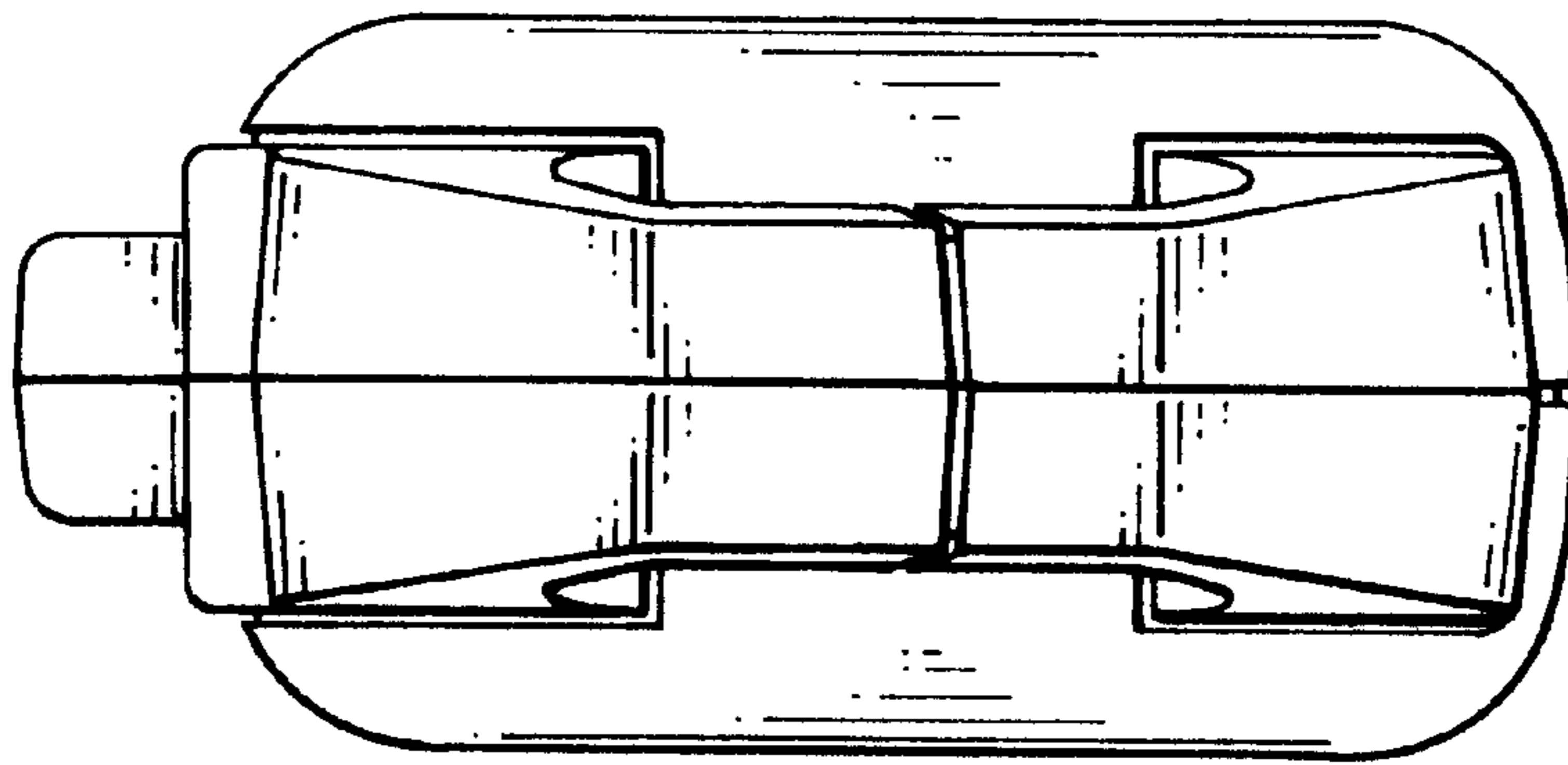


FIG. 6

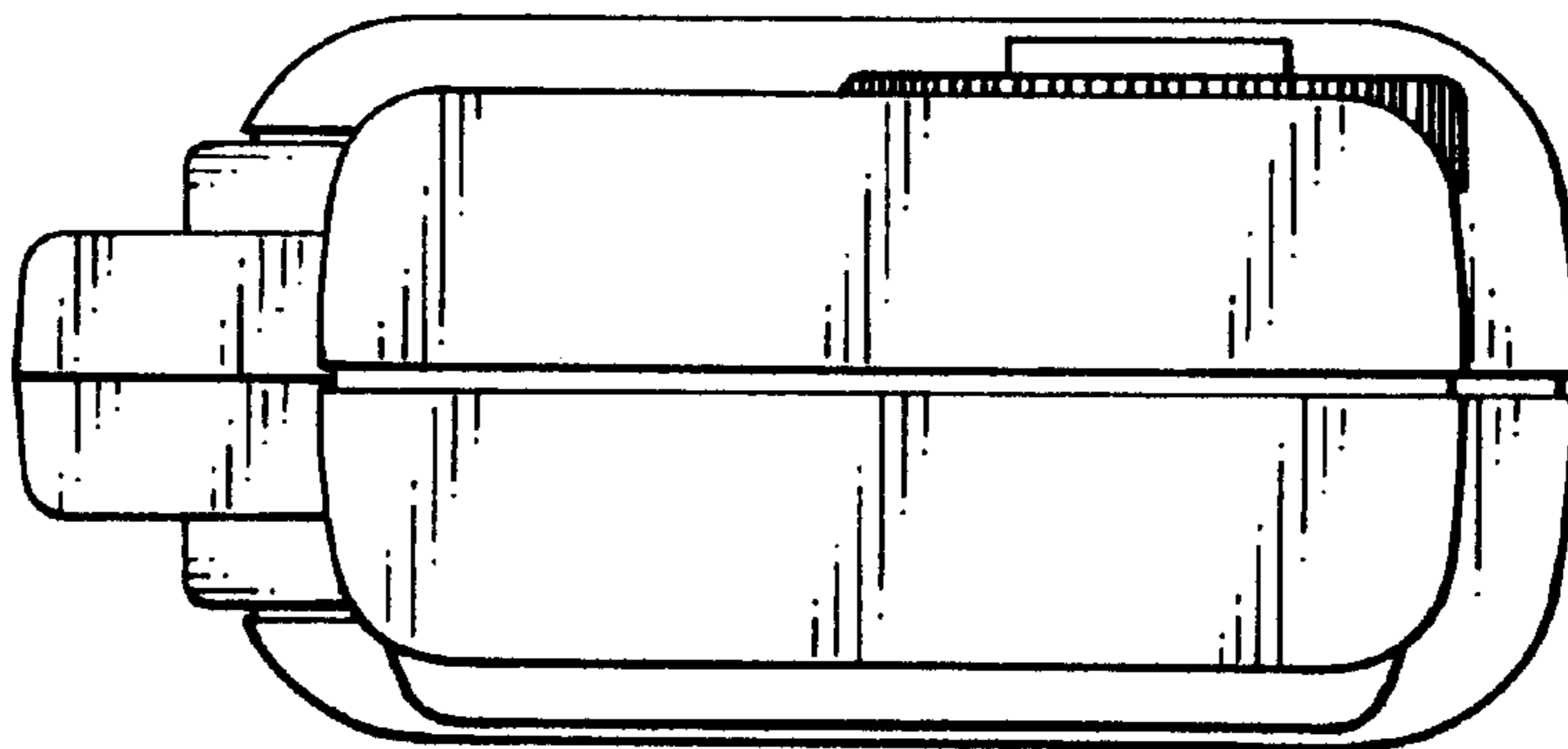


FIG. 7