



US00D447068B1

(12) **United States Design Patent**  
**Carlson et al.**

(10) **Patent No.:** **US D447,068 S**

(45) **Date of Patent:** **\*\* Aug. 28, 2001**

(54) **RULER**

(75) **Inventors:** **Christopher Robert Carlson**, Wausau;  
**Cory R. Boudreau**, Madison; **David E. Barnard**, Madison; **Ryan W. Rindy**, Madison, all of WI (US)

(73) **Assignee:** **Alterra Holdings Corporation**, Tigard, OR (US)

(\*\*) **Term:** **14 Years**

(21) **Appl. No.:** **29/131,746**

(22) **Filed:** **Oct. 27, 2000**

(51) **LOC (7) Cl.** ..... **10-04**

(52) **U.S. Cl.** ..... **D10/71**

(58) **Field of Search** ..... D10/71; 33/483-494

(56) **References Cited**

**U.S. PATENT DOCUMENTS**

D. 260,005	*	7/1981	Sandfield	.....	D10/71
D. 356,514		3/1995	Sun	.....	D10/71
D. 357,195		4/1995	Palacio et al.	.....	D10/62
D. 371,310		7/1996	Ekeoba	.....	D10/71
D. 371,978		7/1996	Ekeoba	.....	D10/71
D. 372,432		8/1996	Sawana	.....	D10/62
D. 373,958		9/1996	Bartlett, Jr.	.....	D10/71
D. 374,403		10/1996	Hougesen	.....	D10/65
D. 374,404		10/1996	Kidd	.....	D10/71
D. 376,326		12/1996	Wilson	.....	D10/71
D. 378,359	*	3/1997	Stoneberg	.....	D10/71
D. 378,743		4/1997	McDonald et al.	.....	D10/71
D. 384,297		9/1997	Paynes	.....	D10/71
D. 384,366		9/1997	Millstone et al.	.....	D18/2
D. 387,689		12/1997	Sharon et al.	.....	D10/71
D. 388,345		12/1997	Burns	.....	D10/71
D. 396,422		7/1998	Dietterich et al.	.....	D10/62
D. 396,424		7/1998	Bedol et al.	.....	D10/71
D. 397,301		8/1998	Bedol et al.	.....	D10/71
D. 397,302		8/1998	Bedol et al.	.....	D10/71

D. 397,303	8/1998	Bedol et al.	.....	D10/71
D. 398,250	9/1998	Dietterich et al.	.....	D10/62
D. 398,864	9/1998	Dietterich et al.	.....	D10/62
D. 399,148	10/1998	Bedol	.....	D10/71
D. 399,441	10/1998	Bedol	.....	D10/71
D. 399,442	10/1998	Bedol	.....	D10/71
D. 403,339	12/1998	Molenaar	.....	D16/135
D. 406,538	3/1999	Cornell et al.	.....	D10/71
D. 408,748	4/1999	Bedol et al.	.....	D10/71
D. 411,959	7/1999	Chan	.....	D10/65
D. 418,071	12/1999	Vouyouka	.....	D10/71
D. 422,309	4/2000	Bond	.....	D19/36
D. 422,517	4/2000	Danon	.....	D10/71
D. 426,784	6/2000	Carlson	.....	D10/71
D. 427,920	7/2000	Salisbury	.....	D10/71
5,471,749	12/1995	Brady	.....	33/484
5,664,334	9/1997	Watts	.....	33/1 N
5,746,001	5/1998	Fisher	.....	33/484
5,768,791	6/1998	V	.....	33/481
5,825,459	10/1998	Rubin	.....	351/204
5,870,831	2/1999	Wagner	.....	33/494
5,873,171	2/1999	Hsu	.....	33/484
5,881,469	3/1999	Monck	.....	33/494
6,044,572	4/2000	Sore et al.	.....	33/555.4
6,067,719	5/2000	Forman	.....	33/15

\* cited by examiner

*Primary Examiner*—Antoine Duval Davis  
(74) *Attorney, Agent, or Firm*—Foley & Lardner

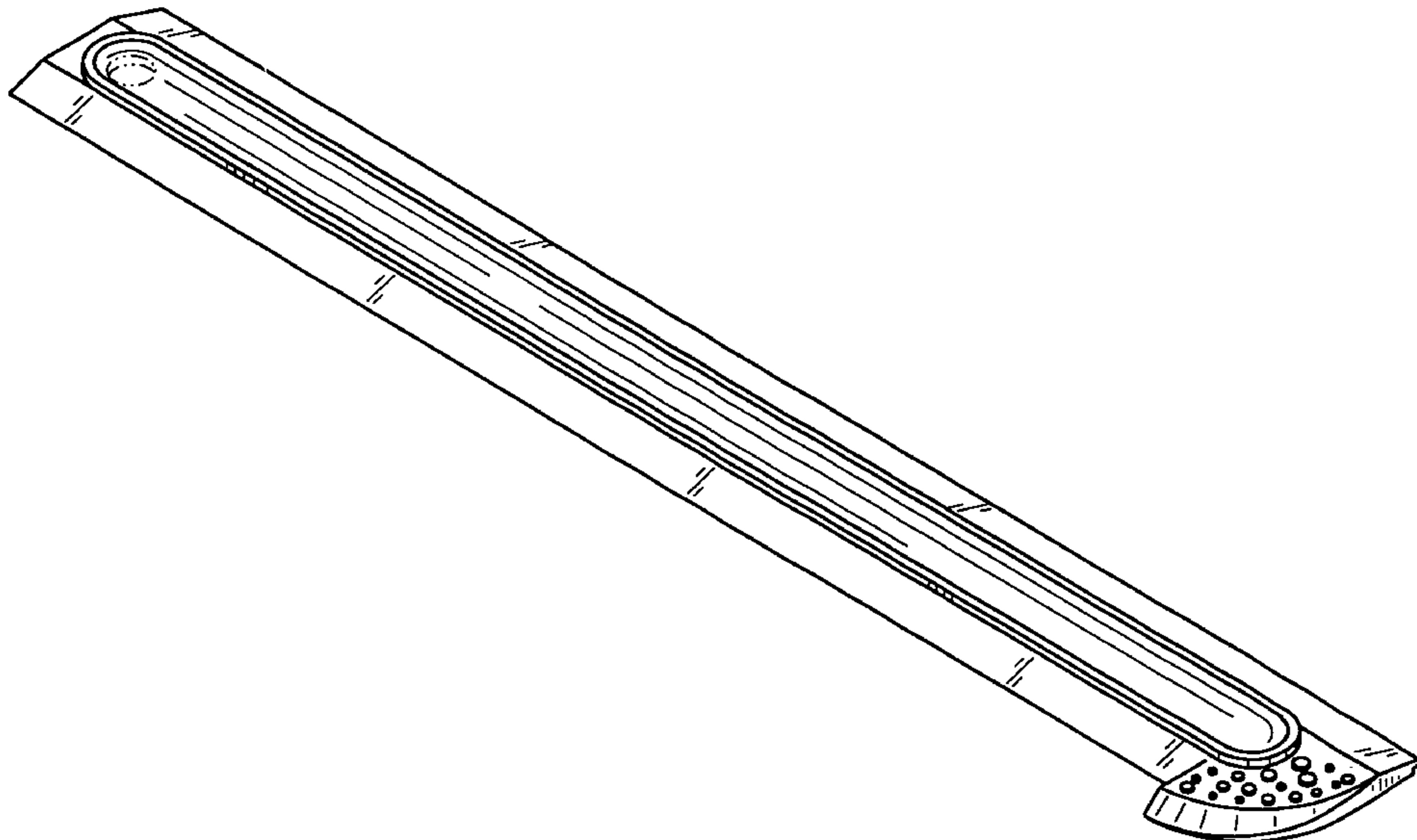
(57) **CLAIM**

The ornamental design for a ruler, as shown and described.

**DESCRIPTION**

FIG. 1 is an isometric view of a ruler showing our new design;  
FIG. 2 is a top plan view thereof;  
FIG. 3 is a bottom plan view thereof;  
FIG. 4 is a front elevational thereof; and,  
FIG. 5 is a rear elevational view thereof.

**1 Claim, 2 Drawing Sheets**



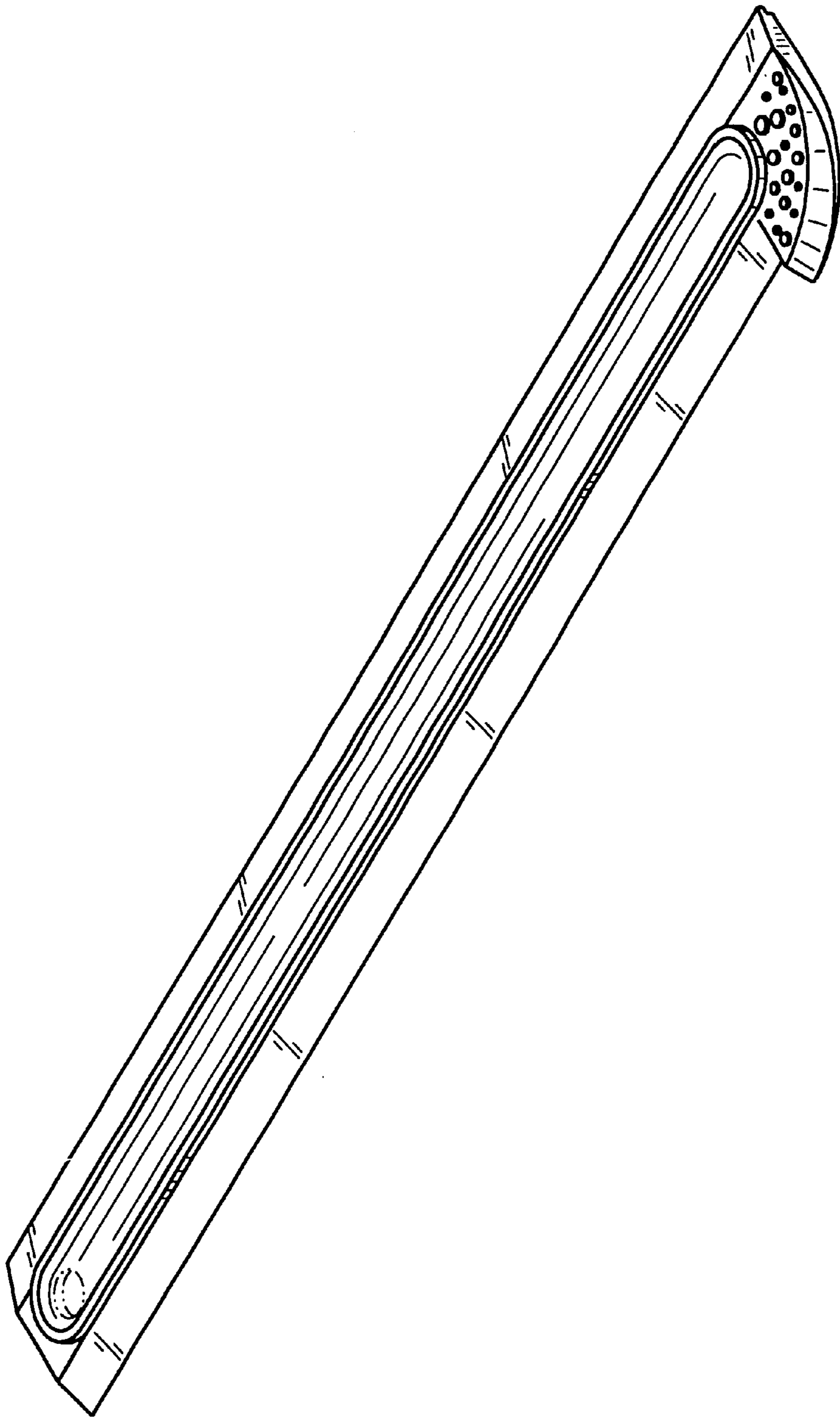


FIG. 1

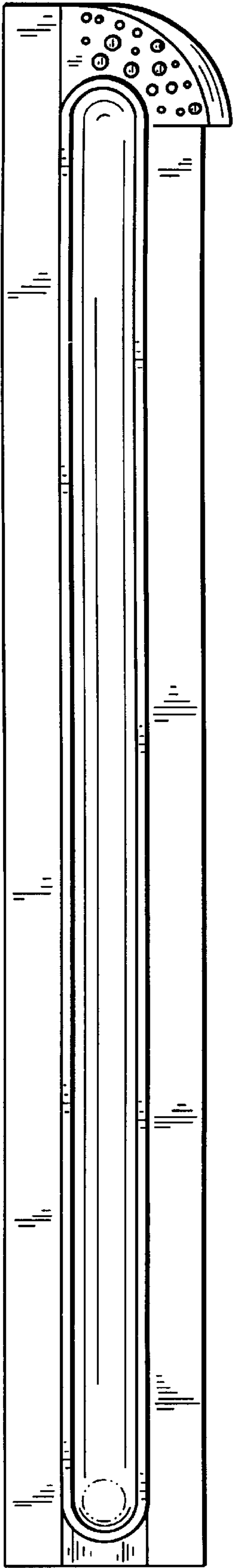


FIG. 2

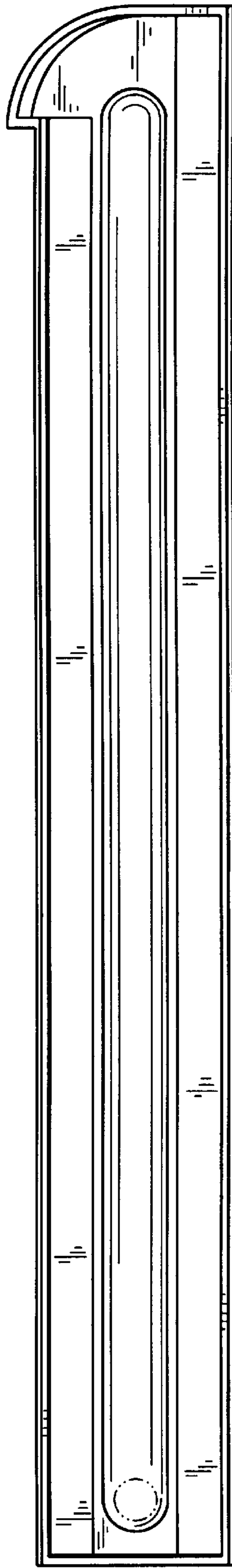


FIG. 3



FIG. 5

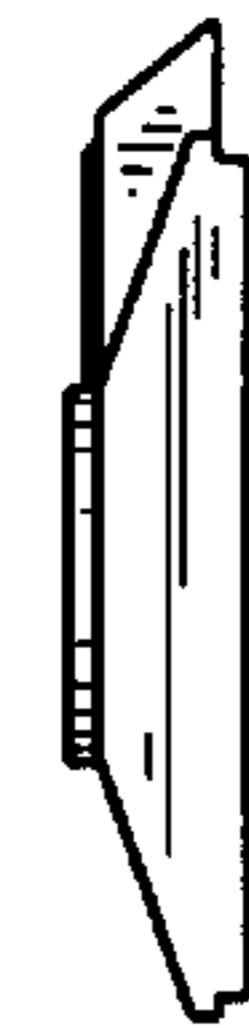


FIG. 4