



US00D447067B1

(12) **United States Design Patent**  
**Vollenweider**

(10) **Patent No.:** **US D447,067 S**

(45) **Date of Patent:** **\*\* Aug. 28, 2001**

(54) **PEDOMETER WITH RETAINING STRAP**

6,190,951 \* 3/2001 Kosuda et al. .... 600/323

(76) Inventor: **Teresa Vollenweider**, 5900 Larson Ave., Kansas City, MO (US) 64133

\* cited by examiner

(\*\*) Term: **14 Years**

*Primary Examiner*—Antoine Duval Davis  
(74) *Attorney, Agent, or Firm*—Shook Hardy & Bacon

(21) Appl. No.: **29/132,578**

(57) **CLAIM**

(22) Filed: **Nov. 9, 2000**

The ornamental design for a pedometer with retaining strap, as shown and described

(51) **LOC (7) Cl.** ..... **10-04**

**DESCRIPTION**

(52) **U.S. Cl.** ..... **D10/70**

(58) **Field of Search** ..... D10/70; 73/490,  
73/172; 235/105, 95 C; 324/160–180; 33/700;  
377/5; 600/500, 483

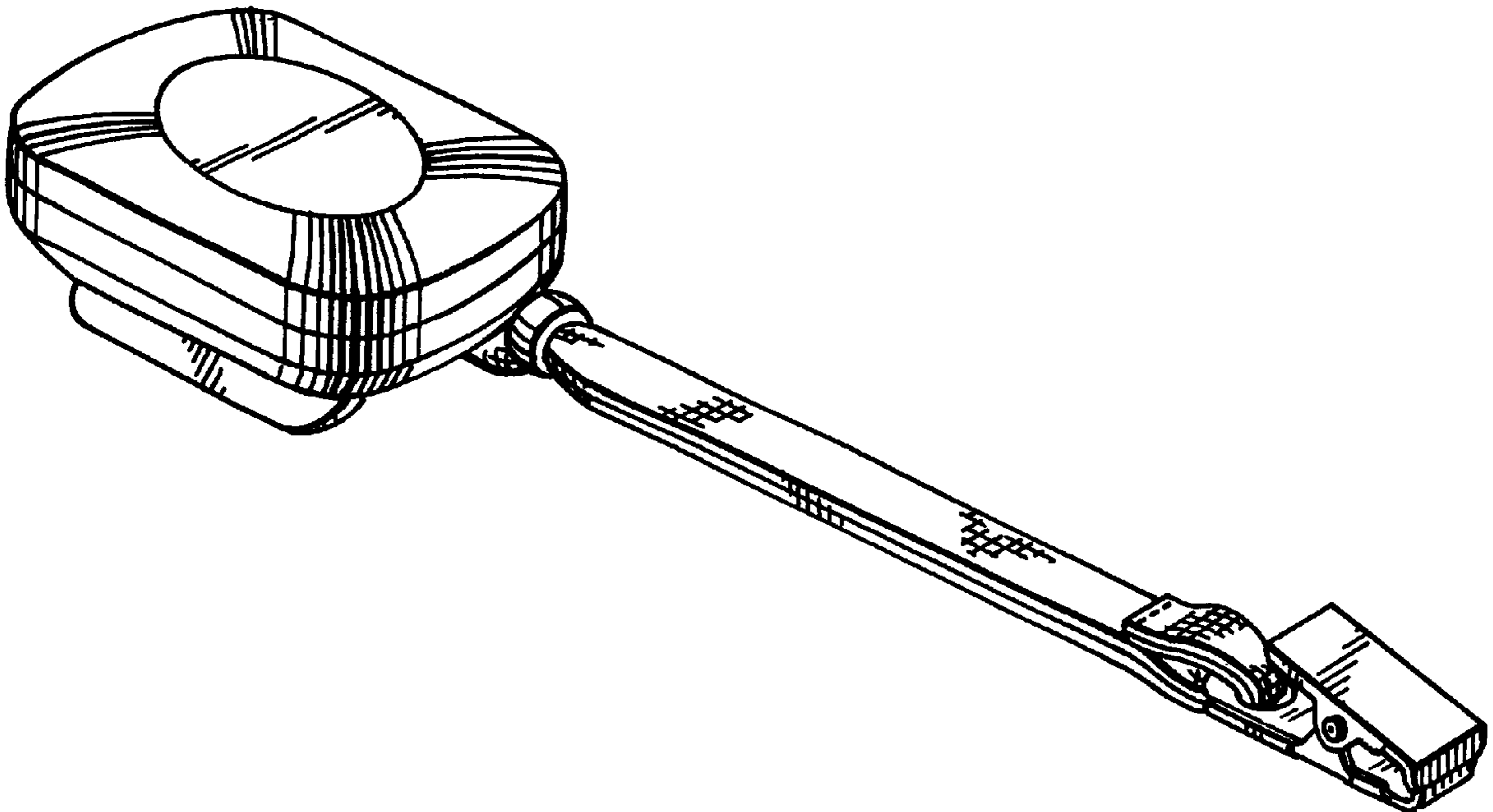
FIG. 1 is a perspective view of my new design for a pedometer with retaining strap;  
FIG. 2 is a top plan view thereof;  
FIG. 3 is a front elevational view thereof;  
FIG. 4 is a rear elevational view thereof;  
FIG. 5 is a bottom plan view thereof;  
FIG. 6 is a left side elevational view thereof; and,  
FIG. 7 is a right side elevational view thereof.

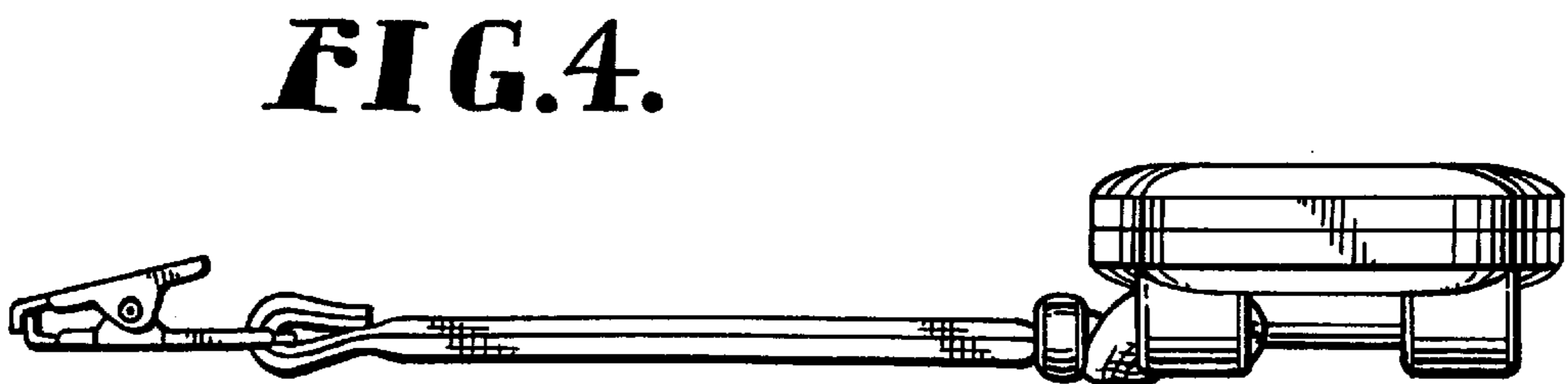
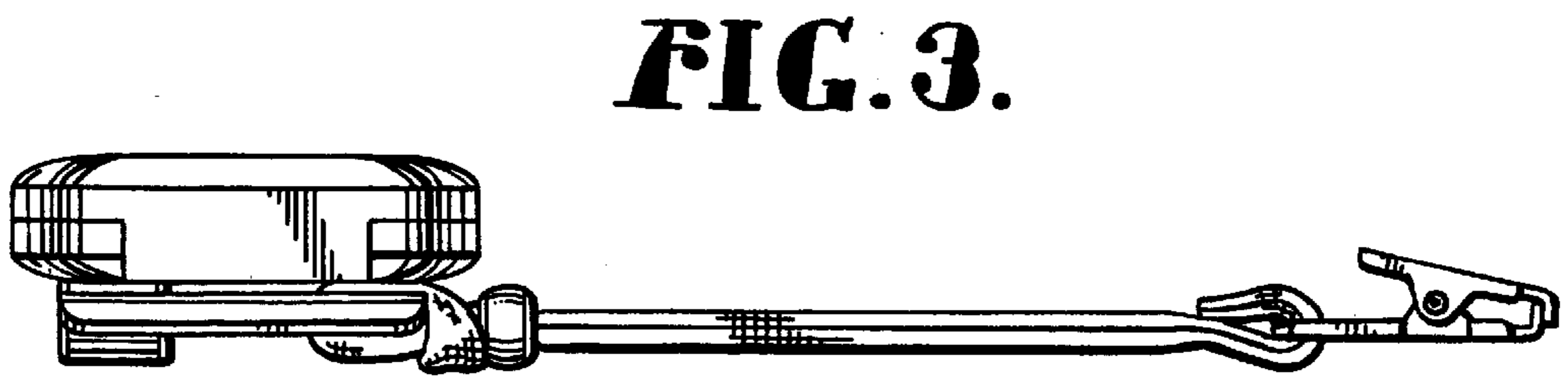
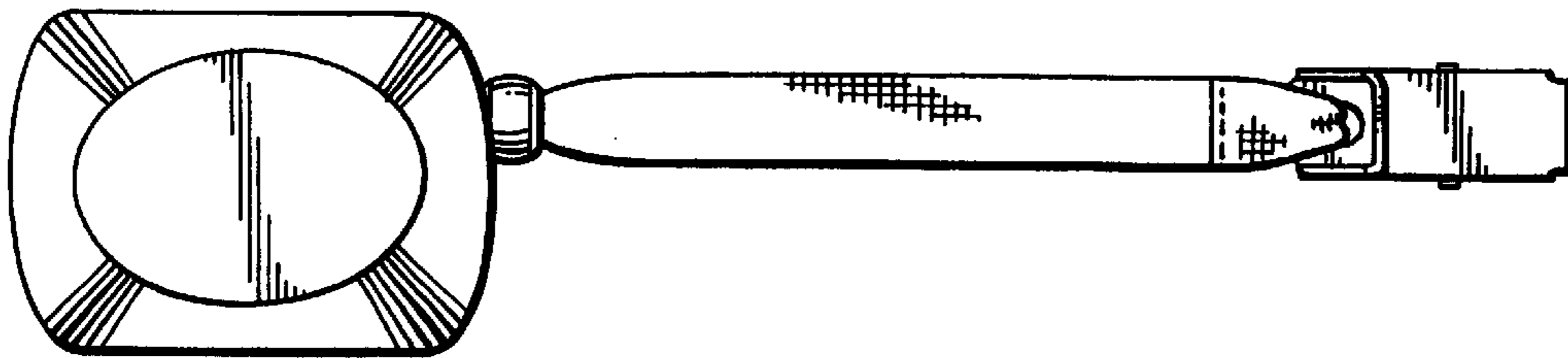
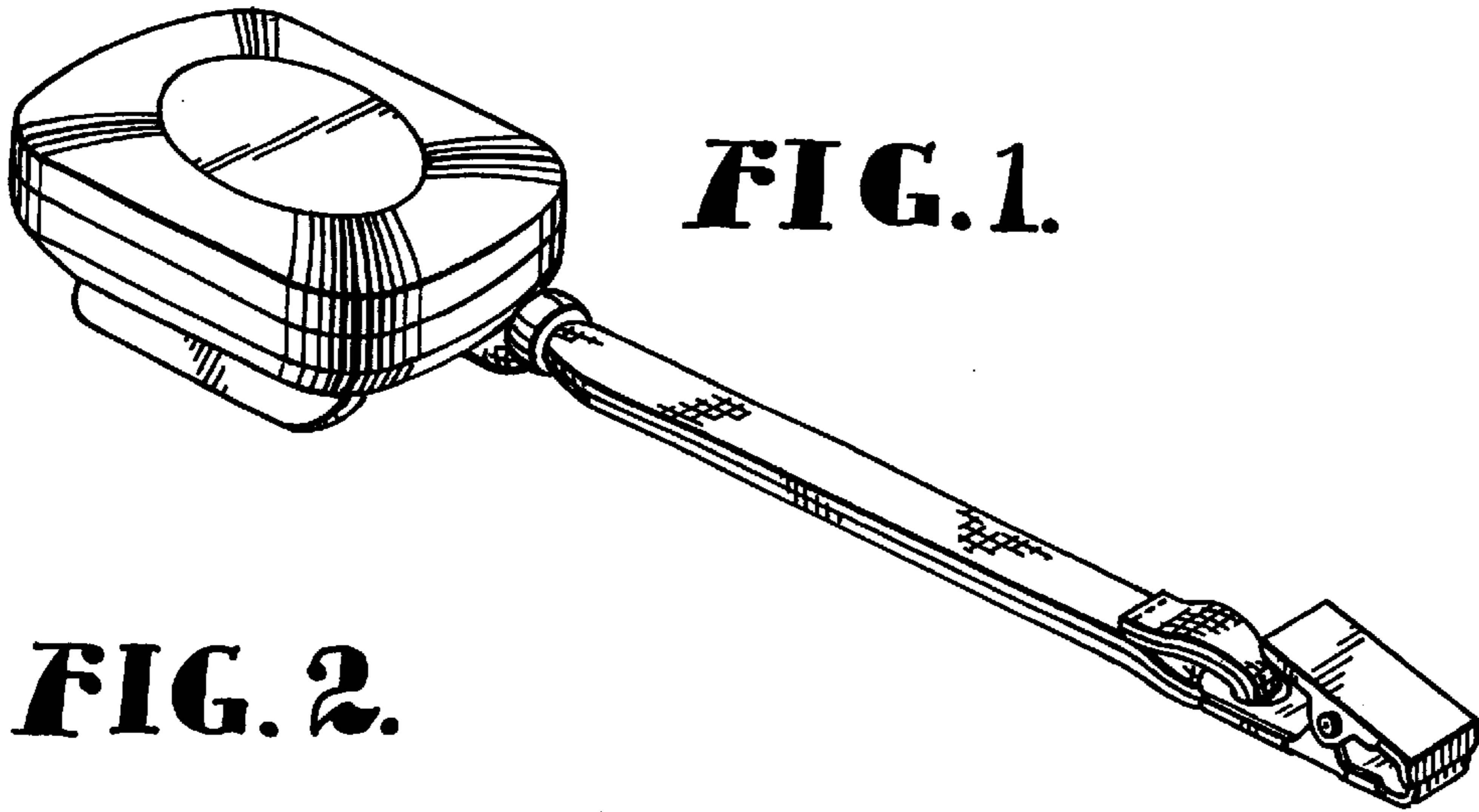
(56) **References Cited**

**U.S. PATENT DOCUMENTS**

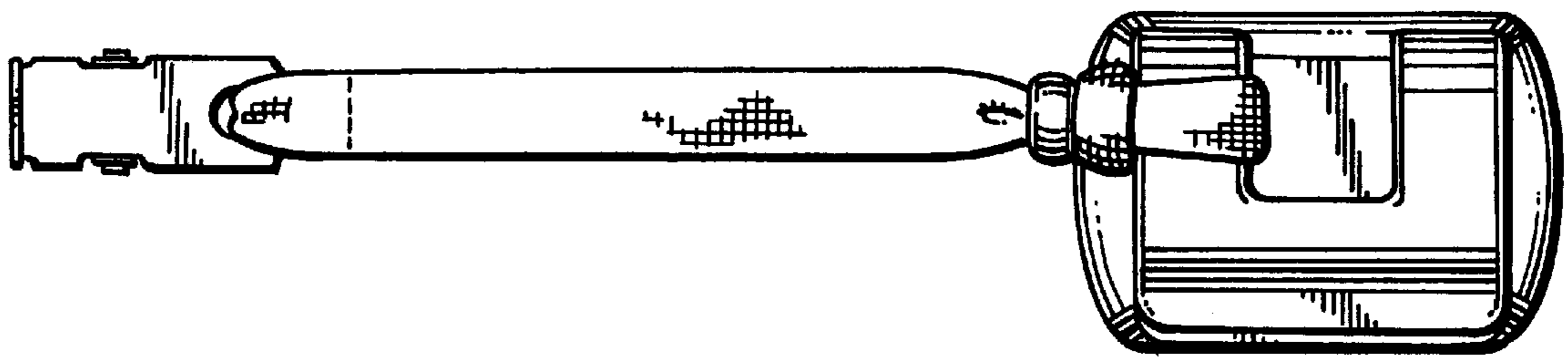
- D. 375,695 \* 11/1996 Narai ..... D10/70
- 6,175,608 \* 1/2001 Pyles et al. .... 377/24.2
- 6,179,177 \* 1/2001 Hihara et al. .... 324/171

**1 Claim, 2 Drawing Sheets**

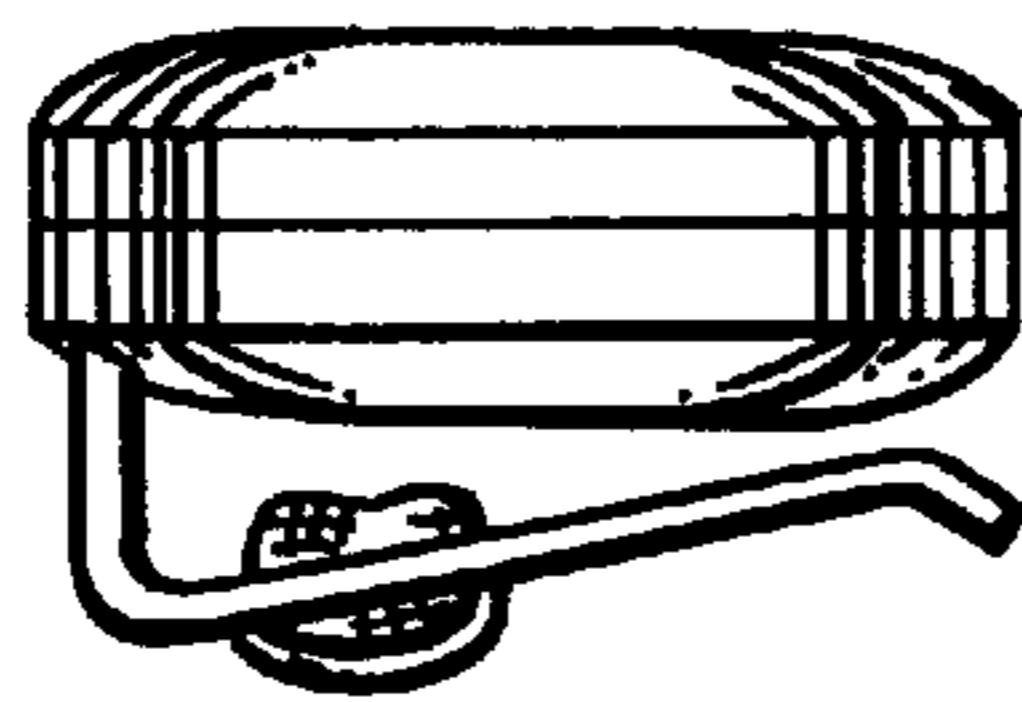




**FIG. 5.**



**FIG. 6.**



**FIG. 7.**

