



US00D447062B1

(12) **United States Design Patent**  
**Cheng**

(10) **Patent No.:** **US D447,062 S**

(45) **Date of Patent:** **\*\* Aug. 28, 2001**

(54) **CONTAINER**

(76) Inventor: **Ming-Ming Cheng**, 58, Ma Yuan West St., Taichung (TW)

(\*\*) Term: **14 Years**

(21) Appl. No.: **29/115,983**

(22) Filed: **Dec. 21, 1999**

(51) **LOC (7) Cl.** ..... **09-01**

(52) **U.S. Cl.** ..... **D9/553; D9/563**

(58) **Field of Search** ..... D9/500, 502, 503,  
D9/516, 530, 537, 538, 541, 549, 550,  
553, 559, 560, 563, 566, 568, 569, 570;  
215/382, 383, 400

(56) **References Cited**

**U.S. PATENT DOCUMENTS**

D. 82,139	*	9/1930	Curran	.....	D9/560
D. 96,267	*	5/1935	Meyer	.....	D9/550
D. 100,874	*	4/1936	Meyer	.....	D9/550
D. 125,637	*	1/1941	Kihn	.....	D9/546
D. 193,741	*	10/1962	Westhoven	.....	D9/553
D. 242,770	*	12/1976	Mitchell	.....	D9/553
D. 262,521	*	1/1982	Frahm et al.	.....	D9/557

D. 311,329	*	10/1990	Frahm et al.	.....	D9/560
D. 326,608	*	6/1992	Frahm	.....	D9/500
D. 332,051	*	12/1992	Kinslow, Jr. et al.	.....	D9/520
D. 369,555	*	5/1996	Heinz	.....	D9/545
D. 383,981	*	9/1997	Macauley et al.	.....	D9/520
D. 411,740	*	6/1999	Kim	.....	D9/335

\* cited by examiner

*Primary Examiner*—Ted Shooman  
*Assistant Examiner*—Selina Sikder

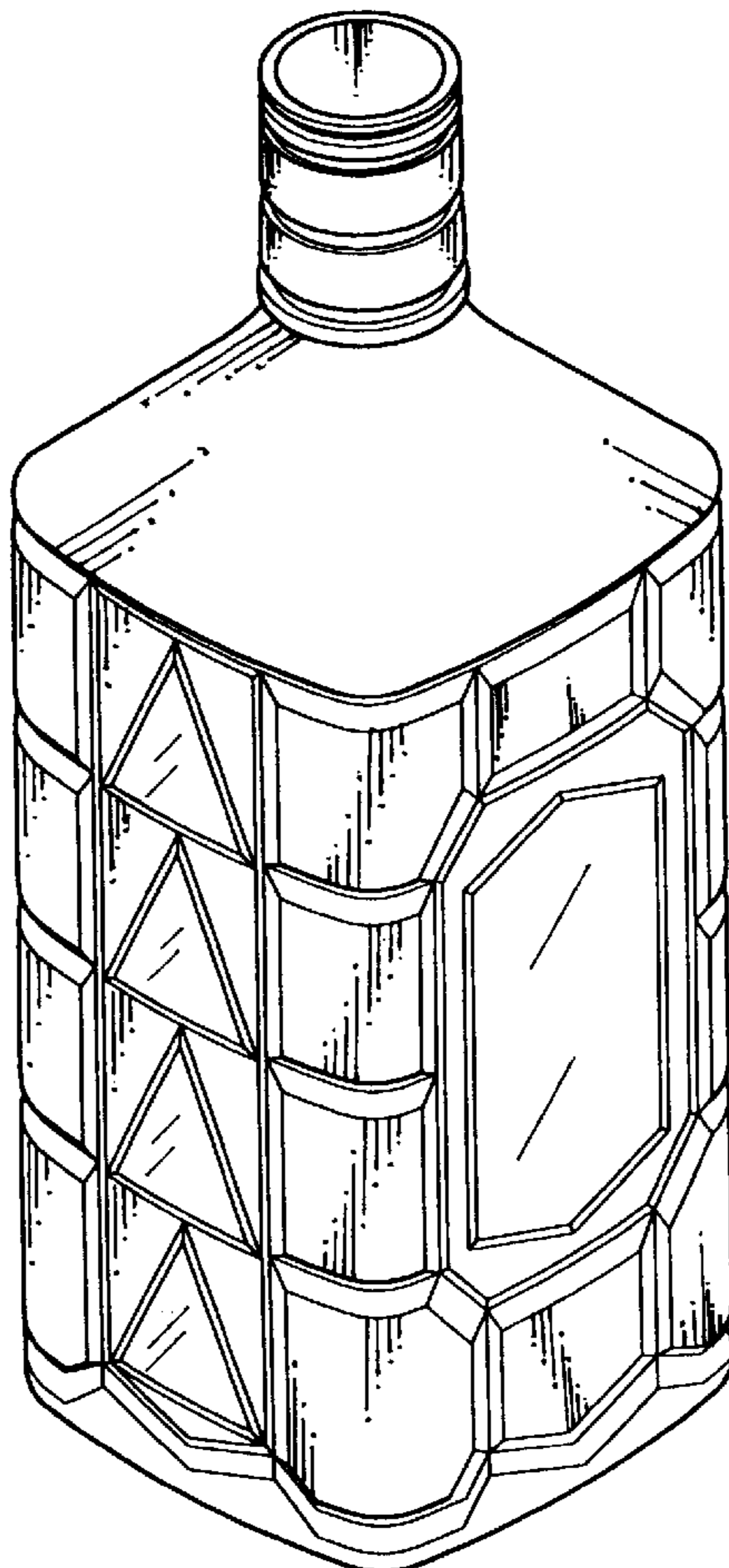
(57) **CLAIM**

The ornamental design for a container, as shown and described.

**DESCRIPTION**

FIG. 1 is a perspective view of container showing my new design;  
FIG. 2 is a front elevational view thereof;  
FIG. 3 is a rear elevational view thereof;  
FIG. 4 is a left side elevational view thereof;  
FIG. 5 is a right side elevational view thereof;  
FIG. 6 is a top plan view thereof; and,  
FIG. 7 is a bottom plan view thereof.

**1 Claim, 4 Drawing Sheets**



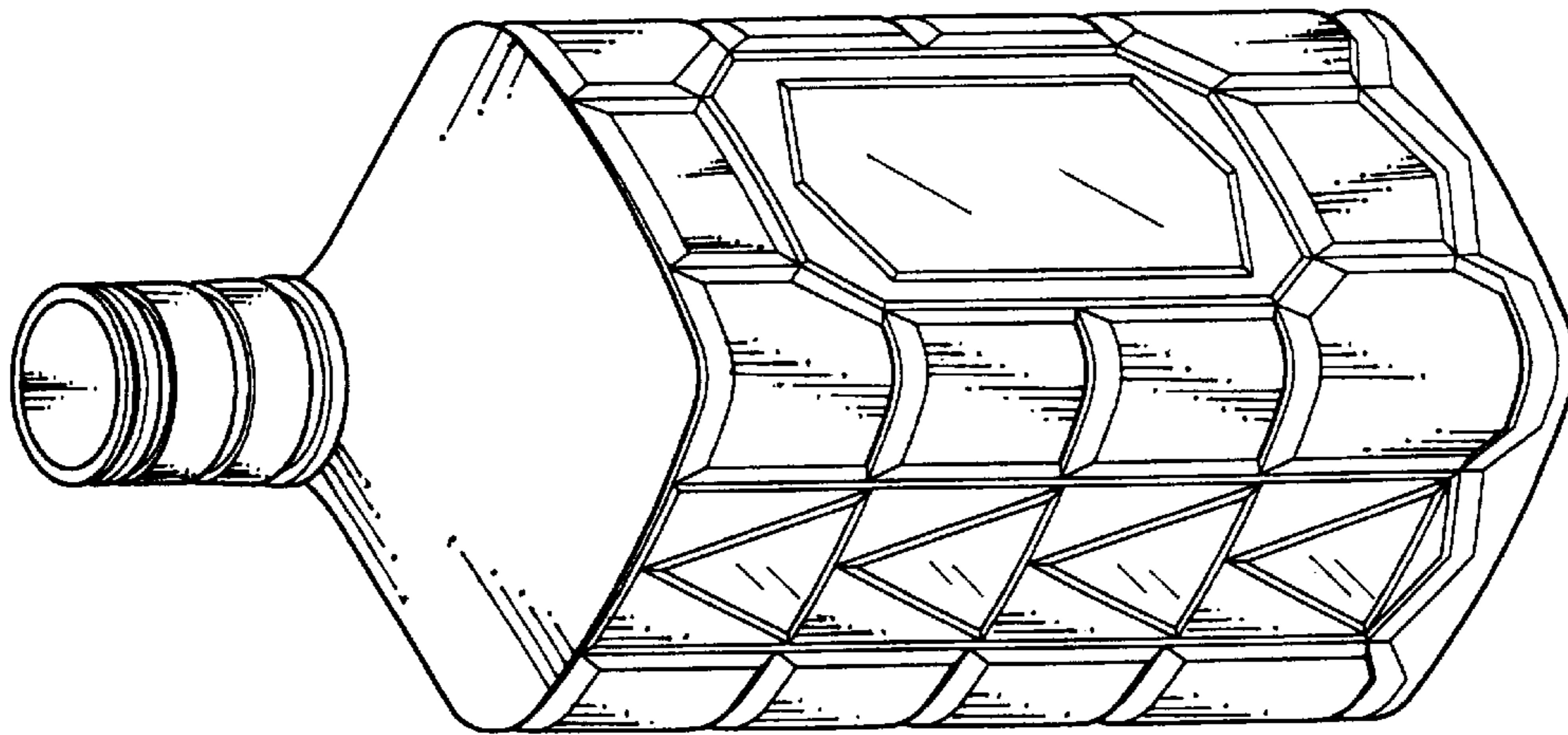


FIG. 1

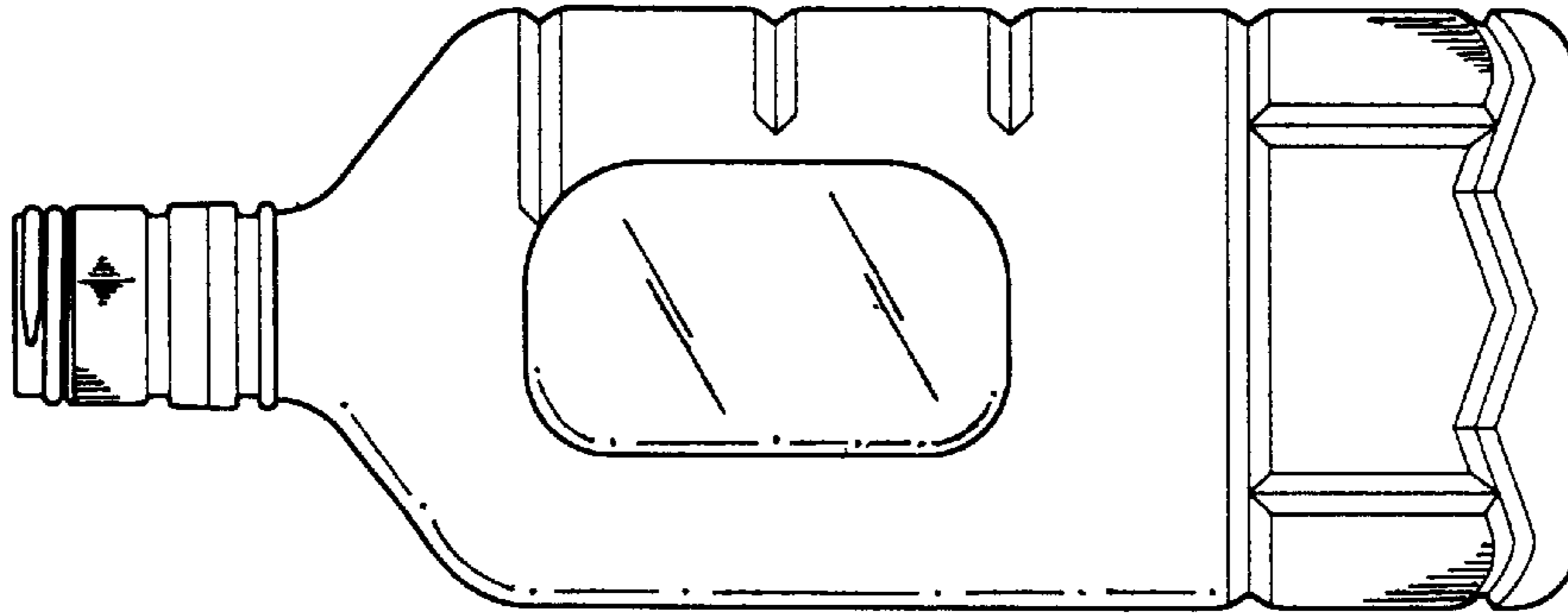


FIG. 3

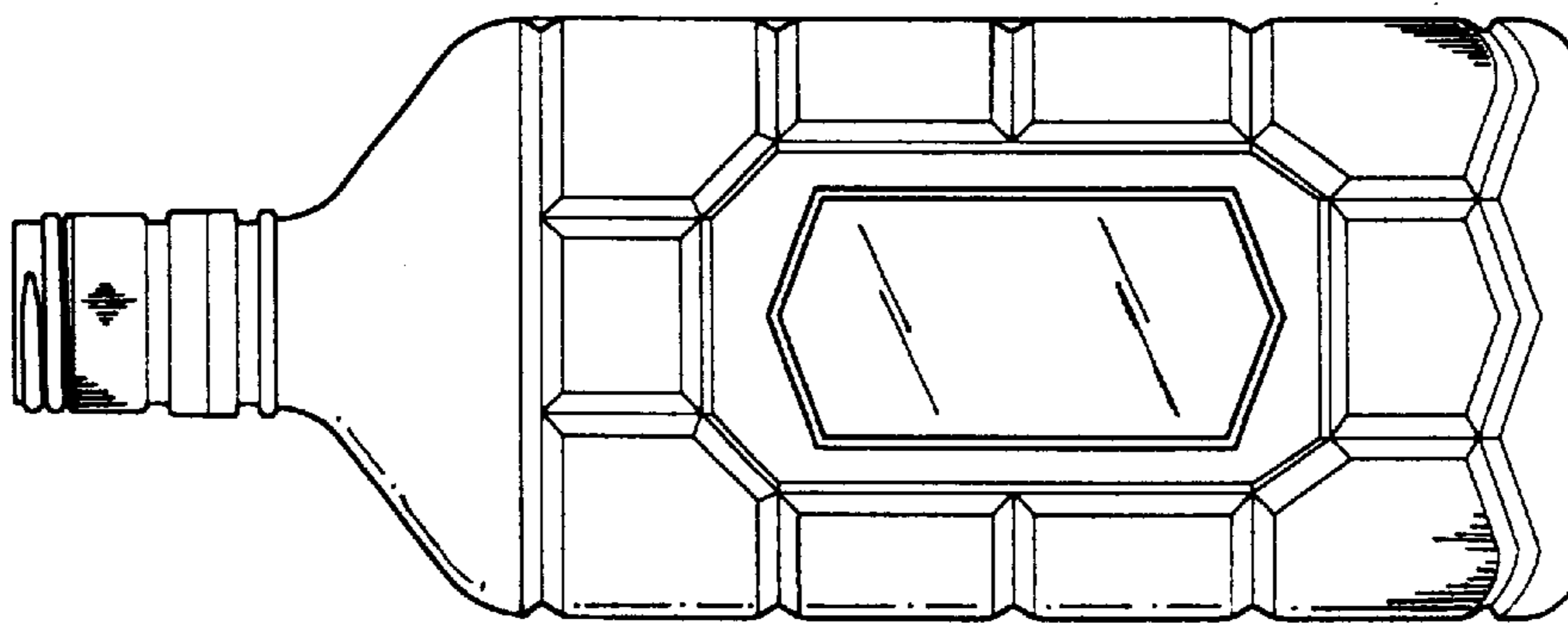


FIG. 2

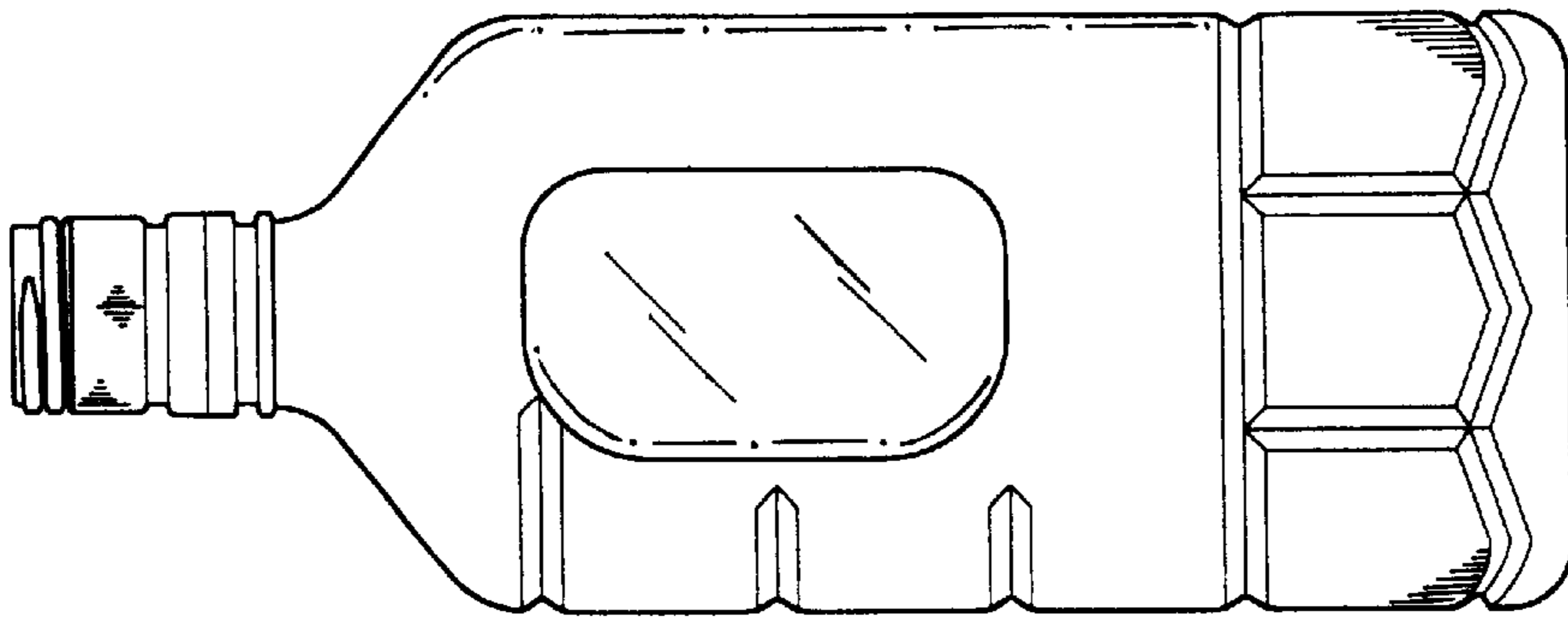


FIG. 5

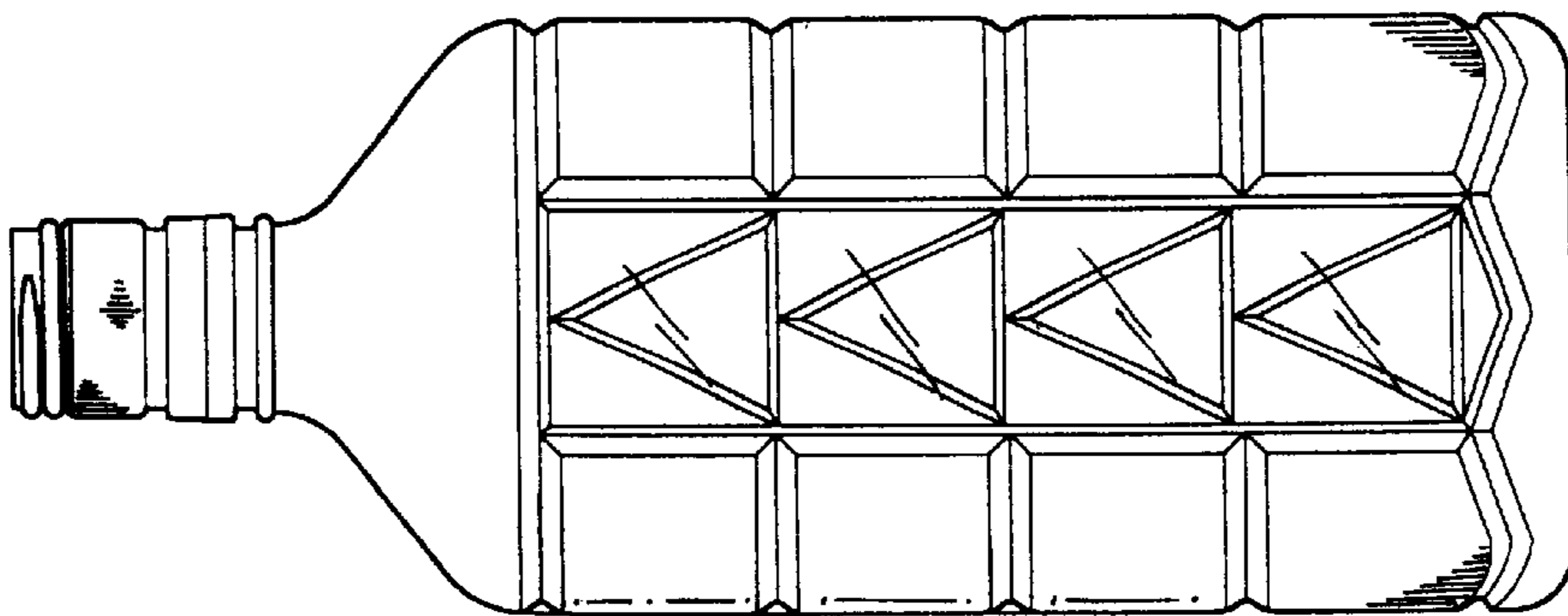


FIG. 4

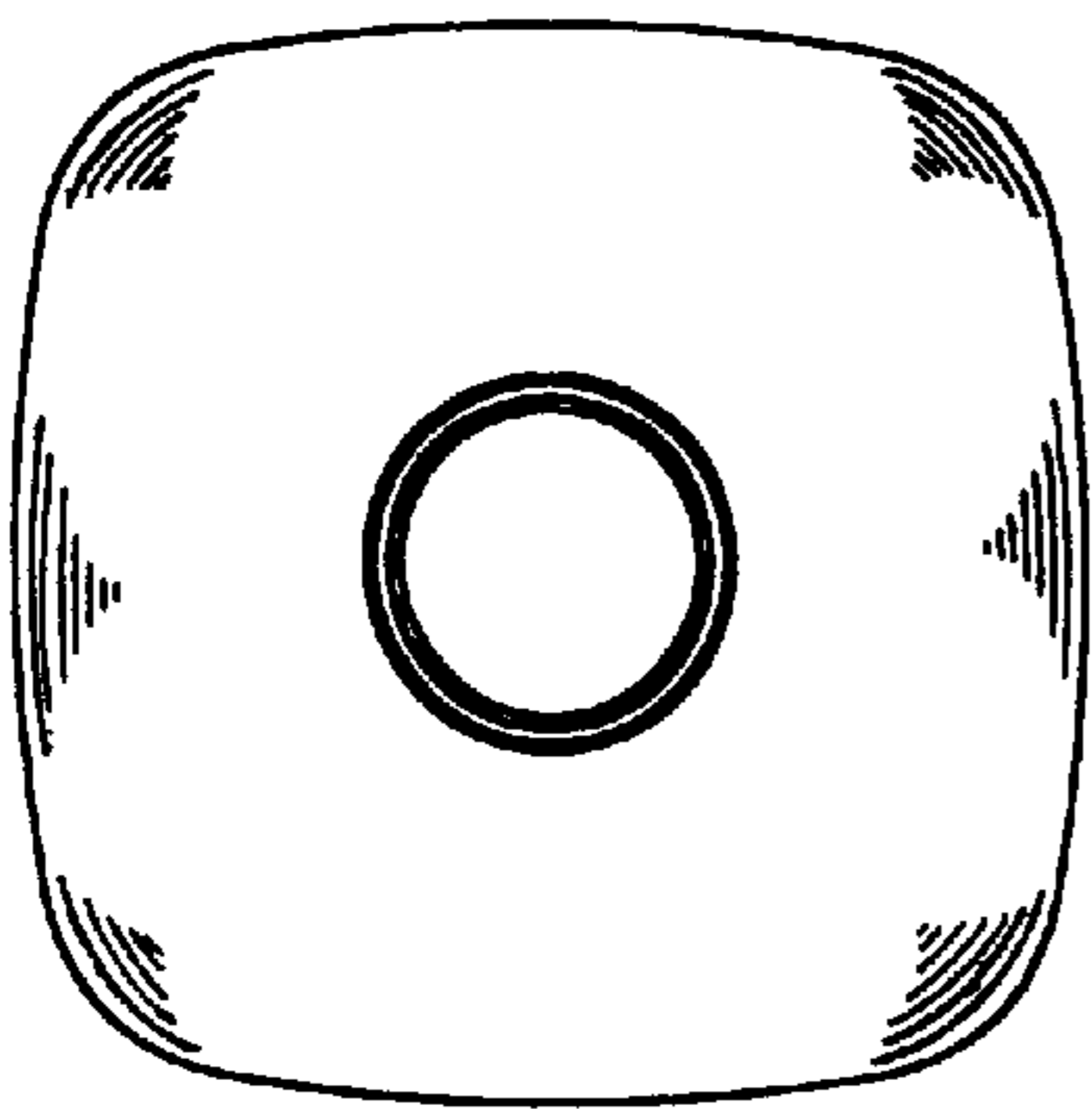


FIG. 6

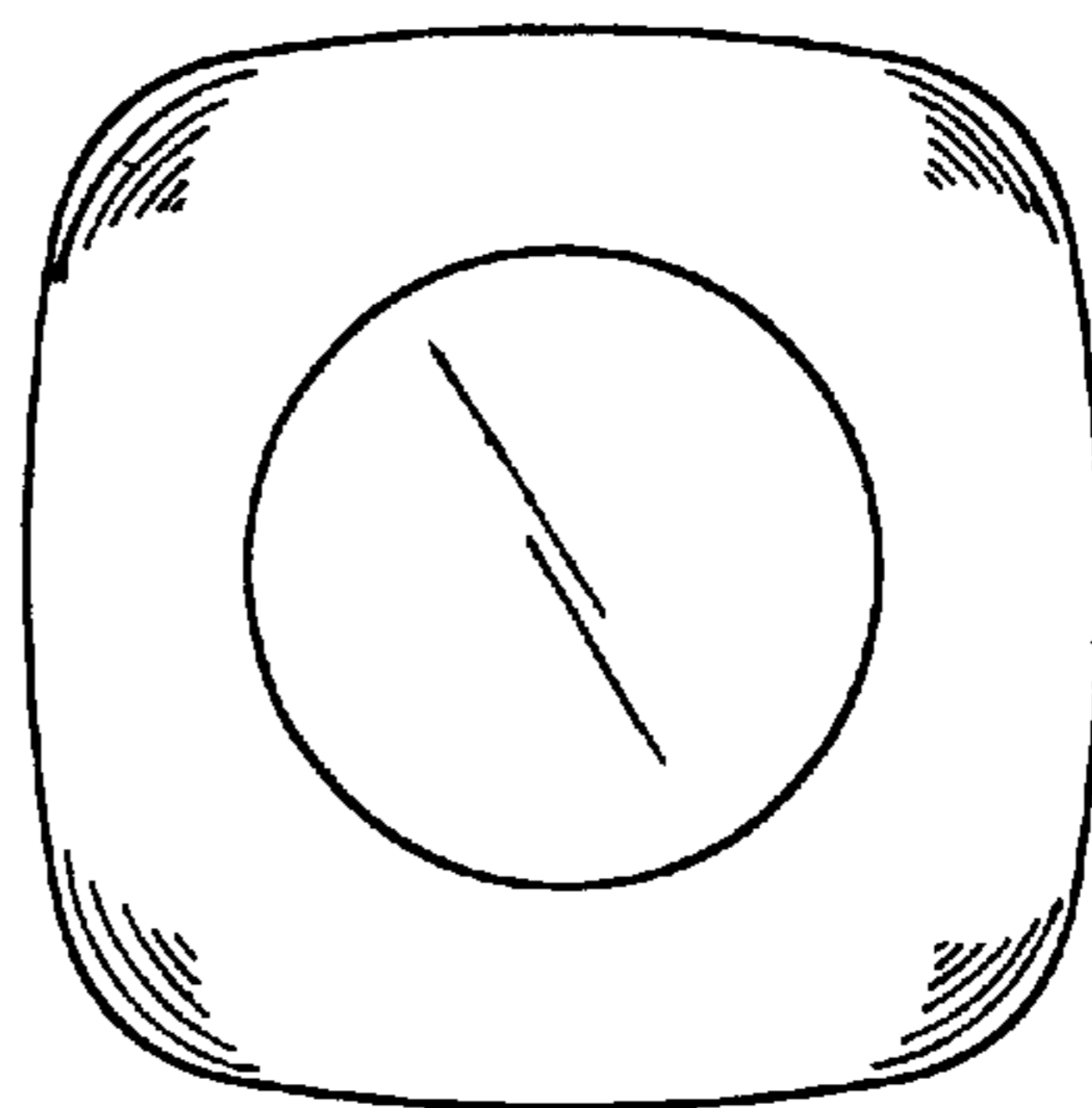


FIG. 7