



US00D447056B1

(12) **United States Design Patent**
Caserta

(10) **Patent No.:** **US D447,056 S**

(45) **Date of Patent:** **** Aug. 28, 2001**

(54) **CONTAINER CLOSURE CAP**

(75) Inventor: **Charles D. Caserta**, Gray, TN (US)

(73) Assignee: **Integra-Seal Industries, LLC**, Erwin, TN (US)

(**) Term: **14 Years**

4,815,617	3/1989	Cullum .	
4,815,620	3/1989	Bullock, III .	
4,828,128	5/1989	Tackles .	
4,903,849	2/1990	Wallman .	
4,934,546	6/1990	Markley .	
5,036,991	8/1991	Wallman .	
5,967,352	* 10/1999	Repp et al.	215/256
5,975,320	* 11/1999	Bietzer et al.	215/254
6,082,567	* 7/2000	Bietzer et al.	215/256

(21) Appl. No.: **29/128,034**

FOREIGN PATENT DOCUMENTS

(22) Filed: **Aug. 16, 2000**

1594812 8/1981 (GB) .

(51) **LOC (7) Cl.** **09-07**

* cited by examiner

(52) **U.S. Cl.** **D9/438**

(58) **Field of Search** D9/435, 438, 443,
D9/454, 518, 416; 215/250-256; 222/153.07

Primary Examiner—Cathron C. Brooks
(74) *Attorney, Agent, or Firm*—Luedeka, Neely & Graham, P.C.

(56) **References Cited**

(57) **CLAIM**

U.S. PATENT DOCUMENTS

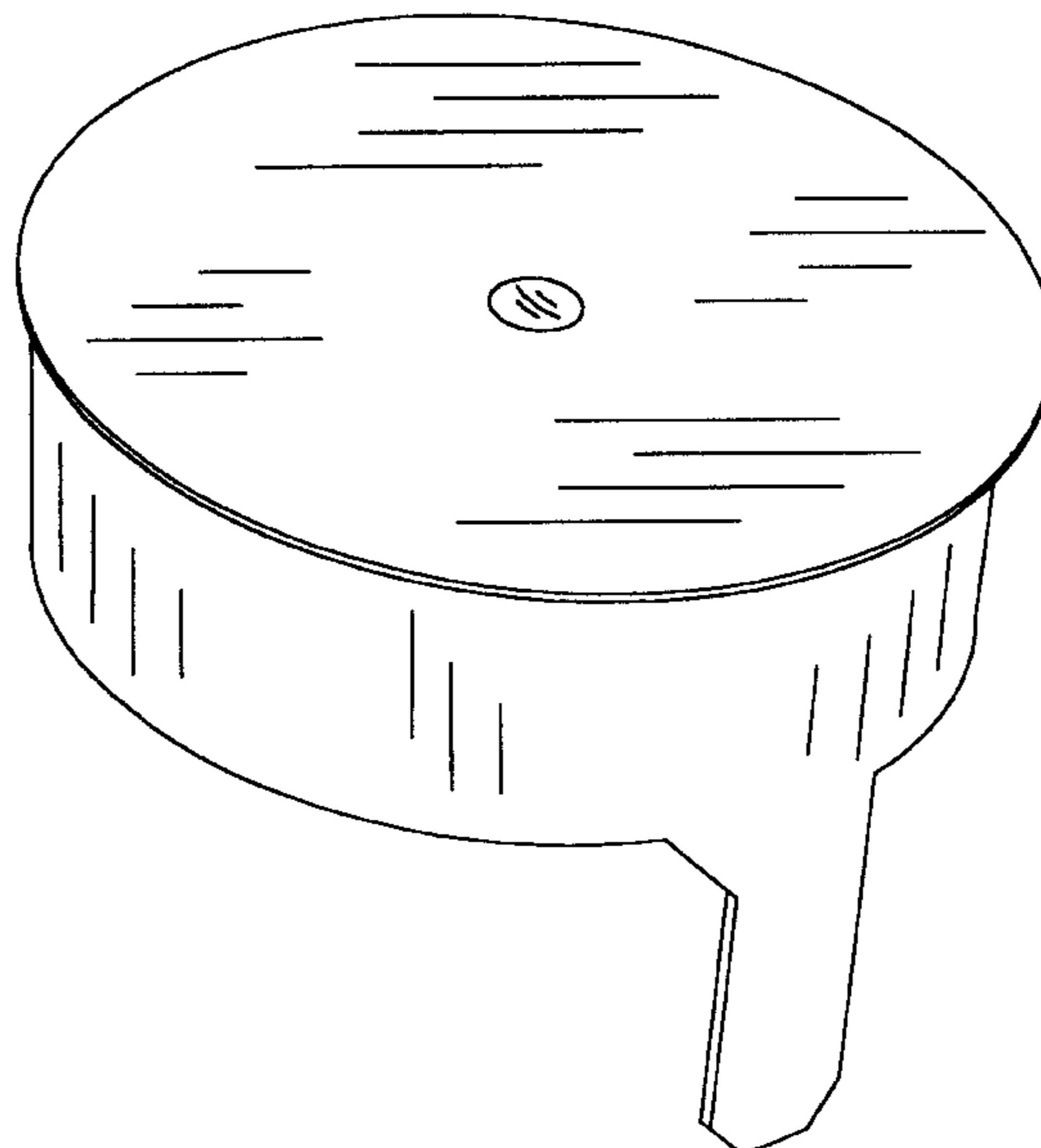
The ornamental design for a container closure cap, as shown and described.

3,013,687	* 12/1961	Gould	D9/438 X
3,204,799	9/1965	Hunter et al. .	
3,940,004	2/1976	Faulstich .	
4,162,736	7/1979	Faulstich .	
4,166,552	9/1979	Faulstich .	
4,177,906	12/1979	Von Hagel .	
4,202,455	5/1980	Faulstich .	
4,387,818	6/1983	Conti .	
4,437,593	* 3/1984	Bullock, III	222/153.07
4,438,857	3/1984	Bullock, III .	
4,484,687	11/1984	Bullock, III .	
4,496,066	1/1985	Bullock, III .	
4,566,601	* 1/1986	Kuenzig	215/45
4,577,771	3/1986	Martinez .	
4,593,830	6/1986	Bullock .	
4,625,876	12/1986	Bullock, III .	
4,676,389	* 6/1987	Bullock	215/232
4,678,094	7/1987	Bullock .	
4,699,286	* 10/1987	Nolan	215/256
4,699,287	10/1987	Bullock .	
4,729,488	3/1988	Bullock, III .	
4,784,296	* 11/1988	Bullock	222/153.07

DESCRIPTION

FIG. 1 is a top perspective view of the container closure cap of my new design;
FIG. 2 is a bottom perspective view of the container closure cap of my new design;
FIG. 3 is a reduced top plan view of the container closure cap of my new design;
FIG. 4 is a reduced bottom plan view of the container closure cap of my new design;
FIG. 5 is a reduced rear elevational view of the container closure cap of my new design;
FIG. 6 is a reduced left-side elevational view of the container closure cap of my new design; and,
FIG. 7 is a reduced right-side elevational view of the container closure cap of my new design.

1 Claim, 2 Drawing Sheets



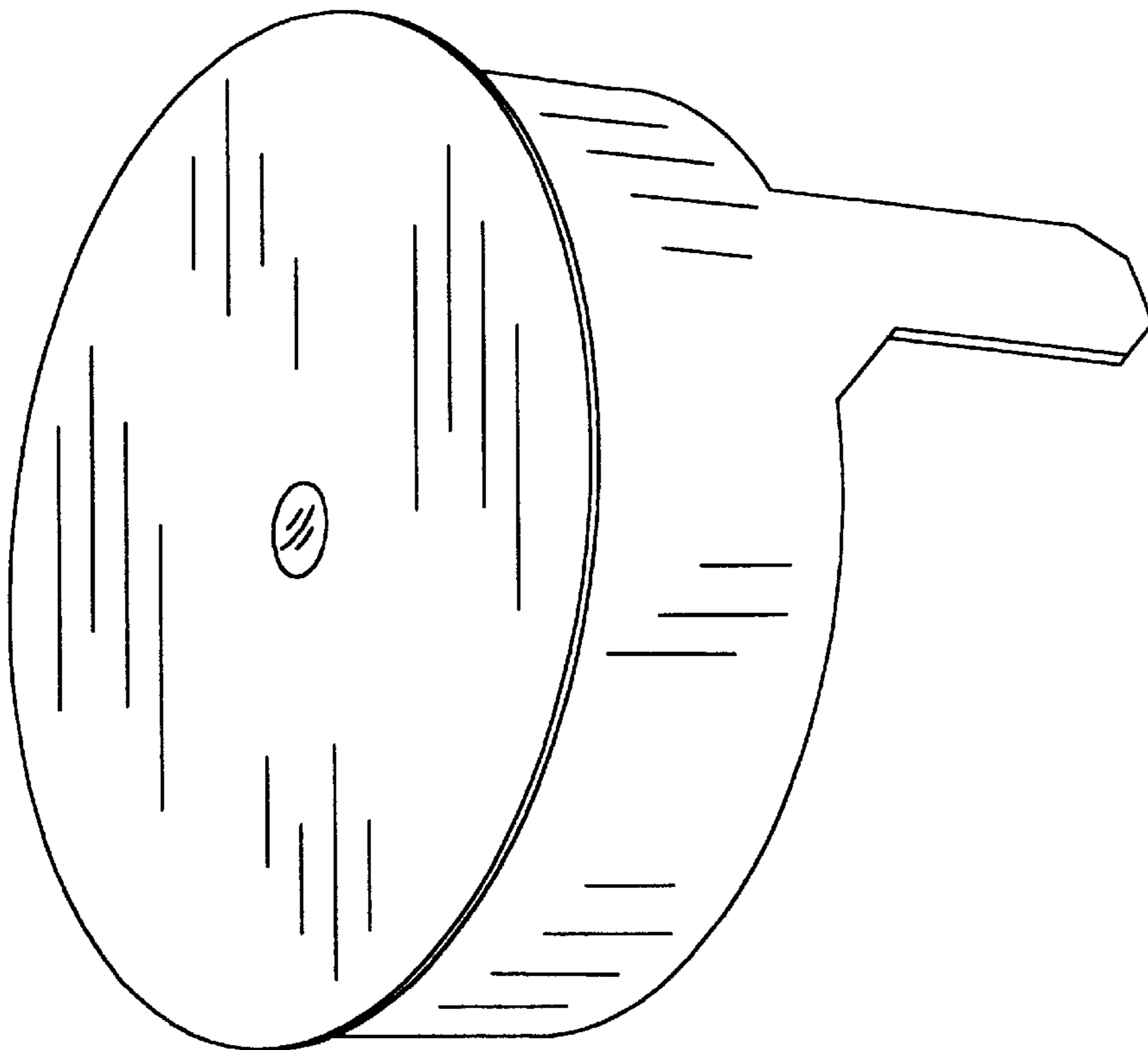


FIG. 1

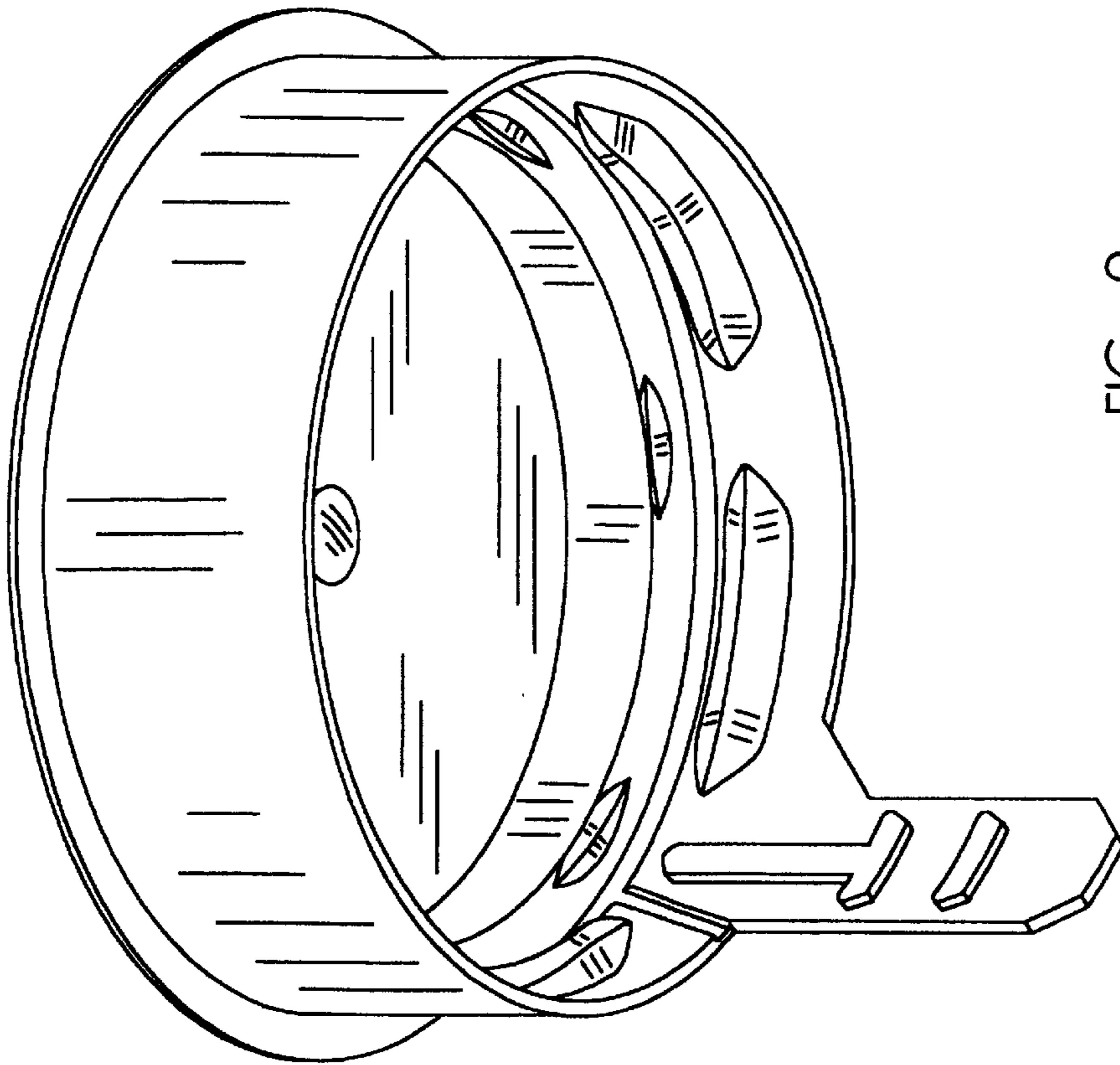


FIG. 2

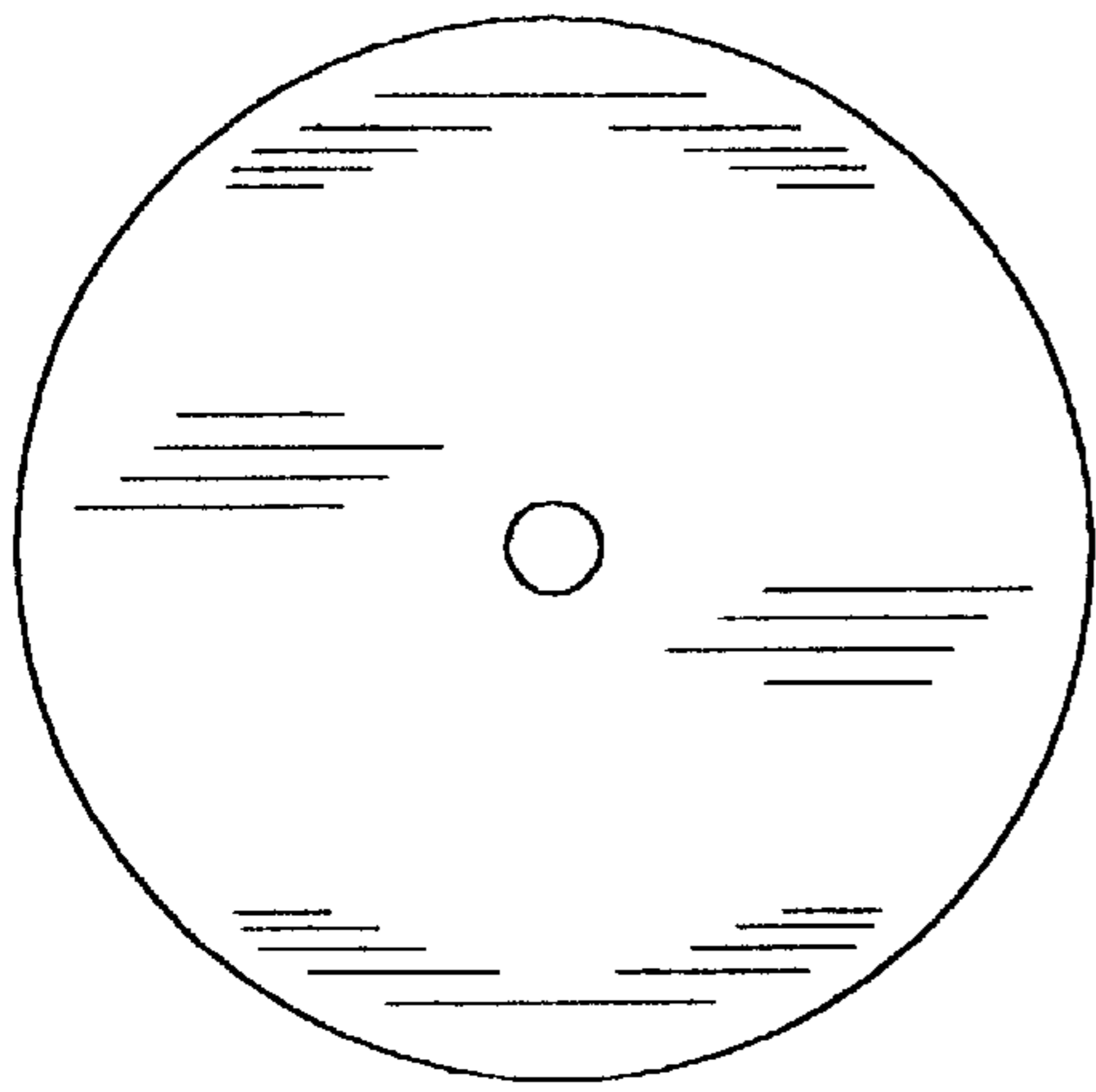


FIG. 3

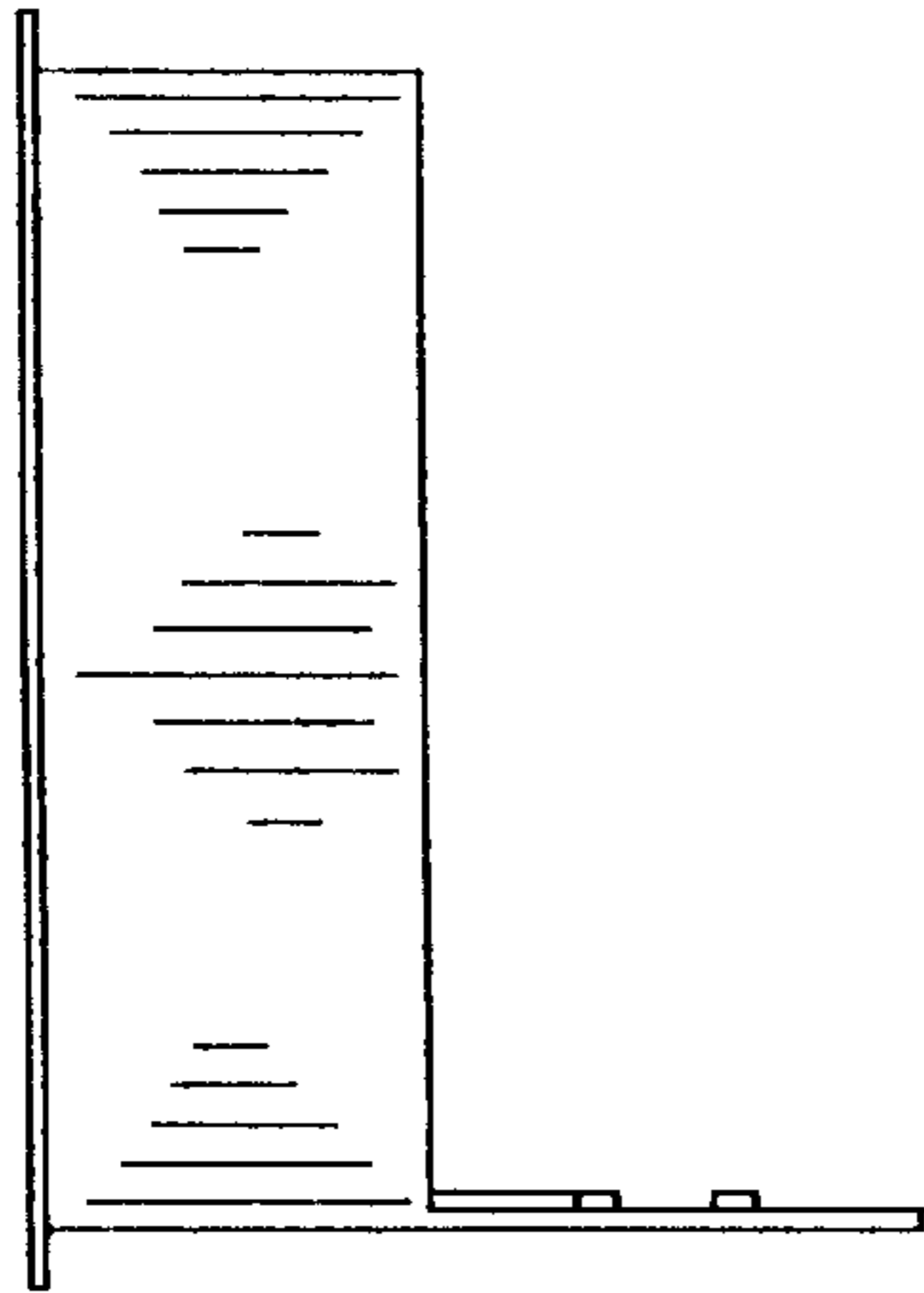


FIG. 6

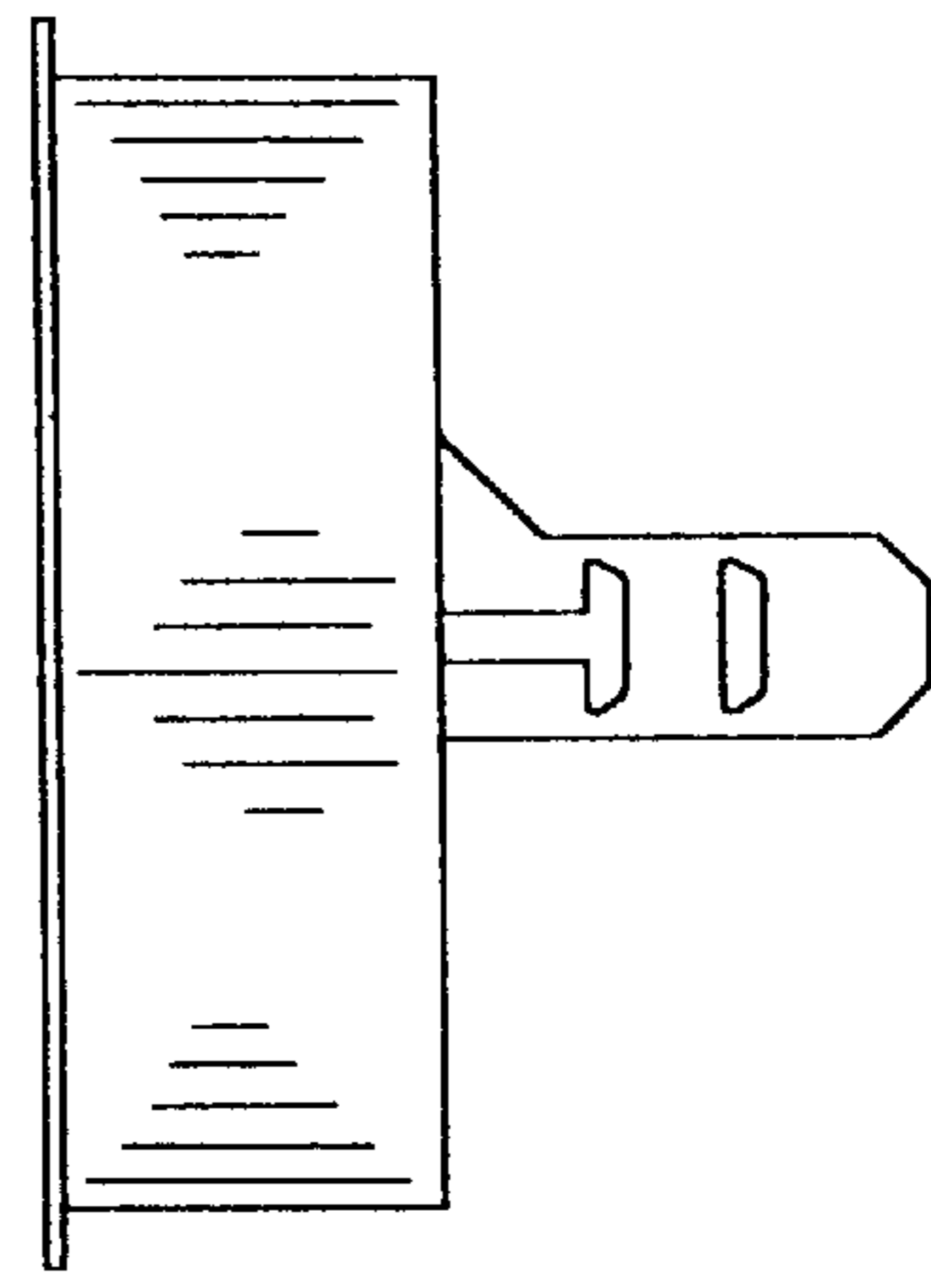


FIG. 5

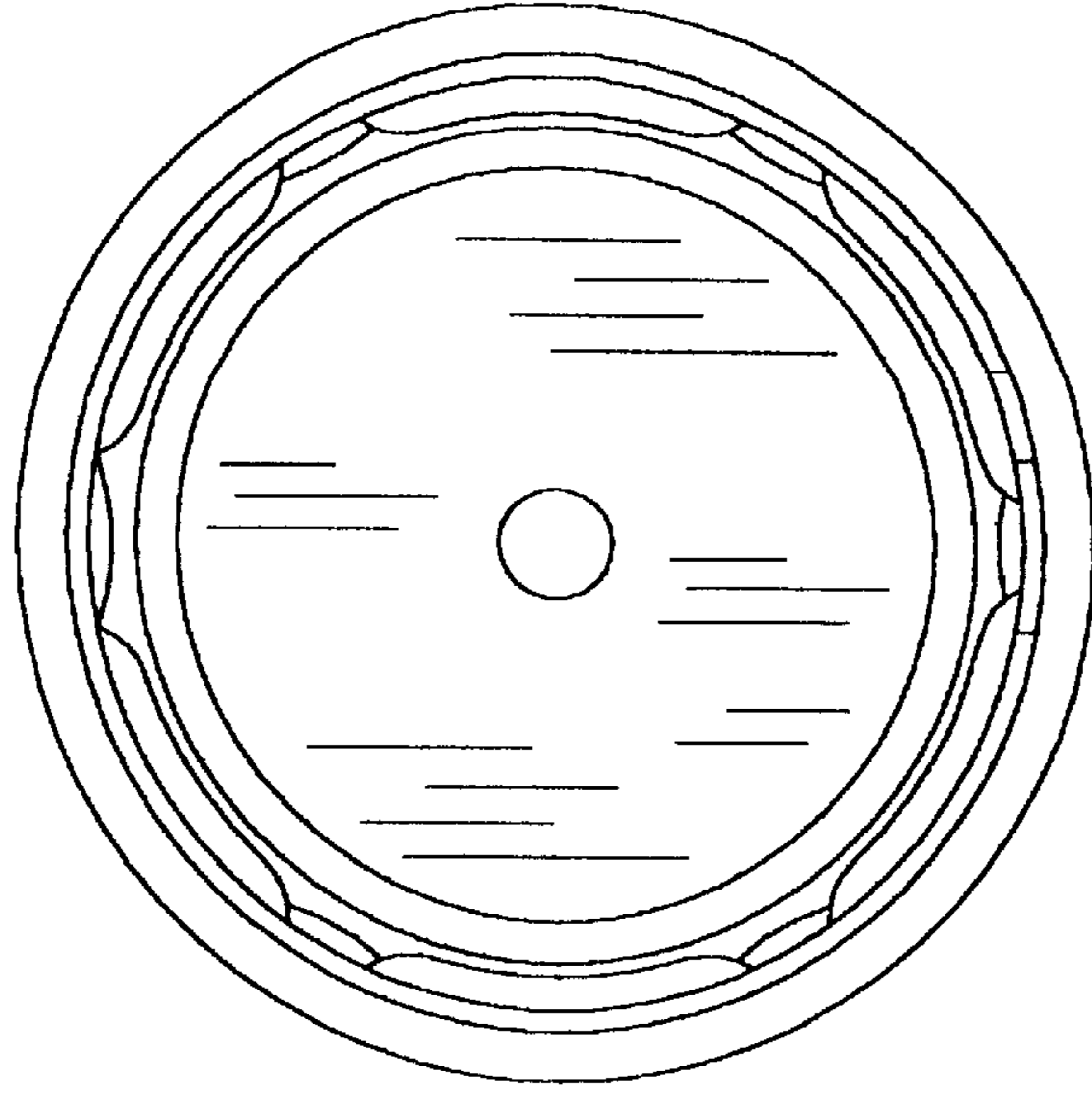


FIG. 4

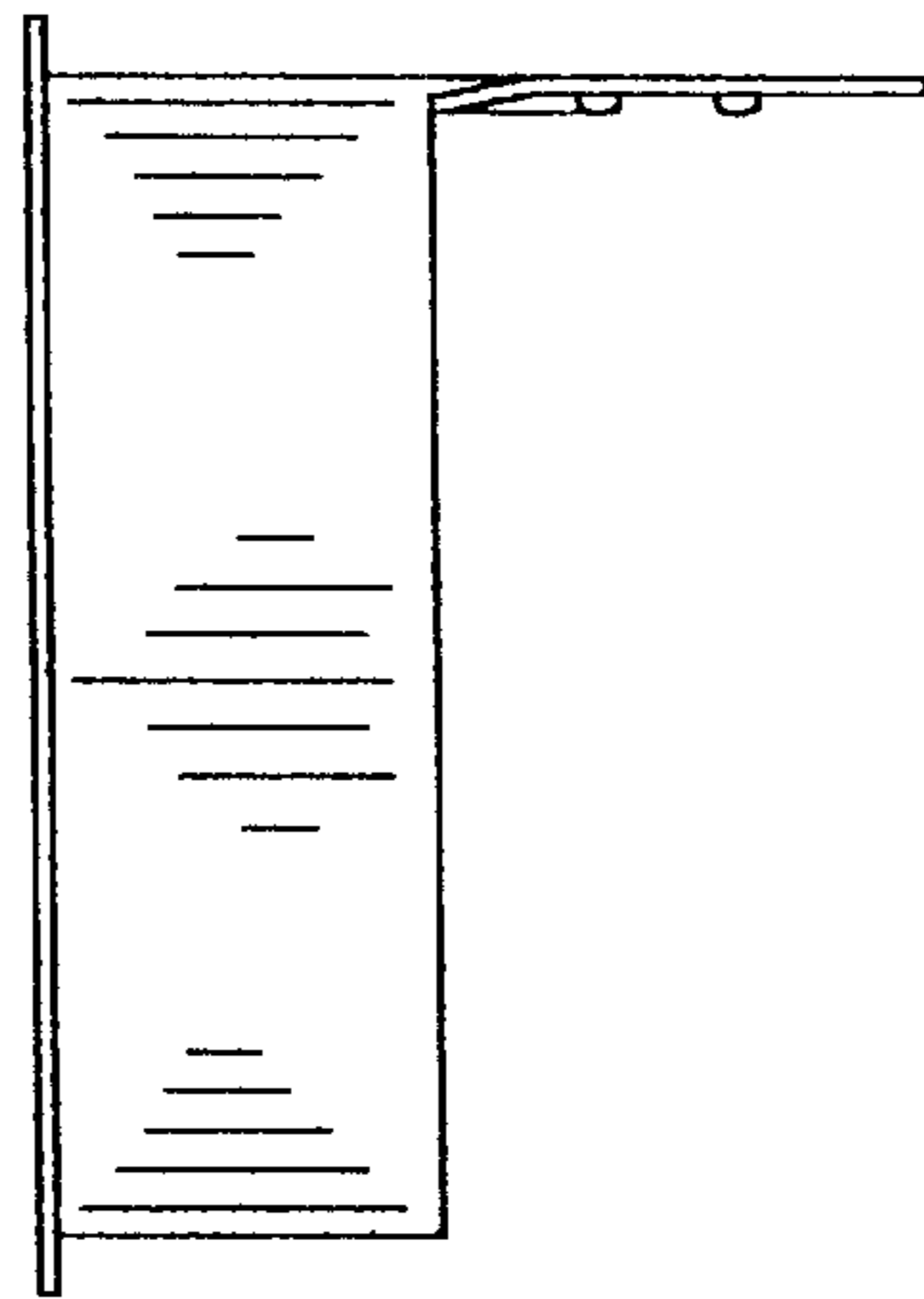


FIG. 7