



US00D447054B1

(12) **United States Design Patent**
Hill

(10) **Patent No.: US D447,054 S**

(45) **Date of Patent: ** *Aug. 28, 2001**

(54) **CONTAINER CLOSURE**

(75) Inventor: **Simon David Julian Hill**, Wiesbaden (DE)

(73) Assignee: **The Procter & Gamble Company**, Cincinnati, OH (US)

(*) Notice: This patent is subject to a terminal disclaimer.

(**) Term: **14 Years**

(21) Appl. No.: **29/090,846**

(22) Filed: **Jul. 17, 1998**

(30) **Foreign Application Priority Data**

Jan. 21, 1998 (GB) 2071862

(51) **LOC (7) Cl.** **09-07**

(52) **U.S. Cl.** **D9/434; D9/447; D9/435**

(58) **Field of Search** D9/434, 444, 338, D9/339; D6/515, 517, 522; D20/22, 28, 40; 40/229.01, 310, 312; 206/200, 208, 233, 494; 221/305, 306, 309, 45, 48, 63; 222/528, 531; 383/66

(56) **References Cited**

U.S. PATENT DOCUMENTS

- D. 159,753 * 8/1950 Pelton D9/339
- D. 236,657 * 9/1975 Reeves D20/22 X
- D. 355,597 * 2/1995 McIntire et al. D9/339
- D. 377,313 * 1/1997 Tipp D9/434
- D. 398,841 * 9/1998 Sargent et al. D9/339
- 2,260,614 * 10/1941 Freitas .
- 2,742,220 * 4/1956 Lynes 222/528 X
- 3,224,632 * 12/1965 Marcalus 221/48
- 3,254,793 * 6/1966 Palmer 221/63

- 3,982,685 * 9/1976 Shimada 206/233 X
- 4,138,034 * 2/1979 McCarthy 221/48
- 4,723,301 * 2/1988 Chang 383/66
- 4,848,575 * 7/1989 Nakamura et al. 206/494 X
- 4,863,064 * 9/1989 Dailey, III 206/494 X
- 5,219,421 * 6/1993 Tipping 221/305 X
- 5,688,394 * 11/1997 McBride, Jr. et al. 206/233
- 5,918,735 * 7/1999 Bando et al. 206/233

OTHER PUBLICATIONS

Grammes Tags, No. 5751, p. 7, Jan. 1940.*

* cited by examiner

Primary Examiner—Cathron B. Matta

(74) *Attorney, Agent, or Firm*—Leonard W. Lewis

(57) **CLAIM**

The ornamental design for a container closure, as shown and described.

DESCRIPTION

FIG. 1 is a front perspective view of a container closure, embodying our new design;

FIG. 2 is a back elevational view thereof, with the front elevational view being a mirror image thereof;

FIG. 3 is a side elevational view with the opposite side elevational view being a mirror image thereof;

FIG. 4 is a top plan view thereof;

FIG. 5 is a bottom plan view thereof;

FIG. 6 is an environmental perspective view showing the container closure applied to a broken line showing of a package which forms no part of the claimed design; and,

FIG. 7 is an environmental perspective view showing the container closure applied to a broken line showing of an alternative package which likewise forms no part of the claimed design.

1 Claim, 2 Drawing Sheets

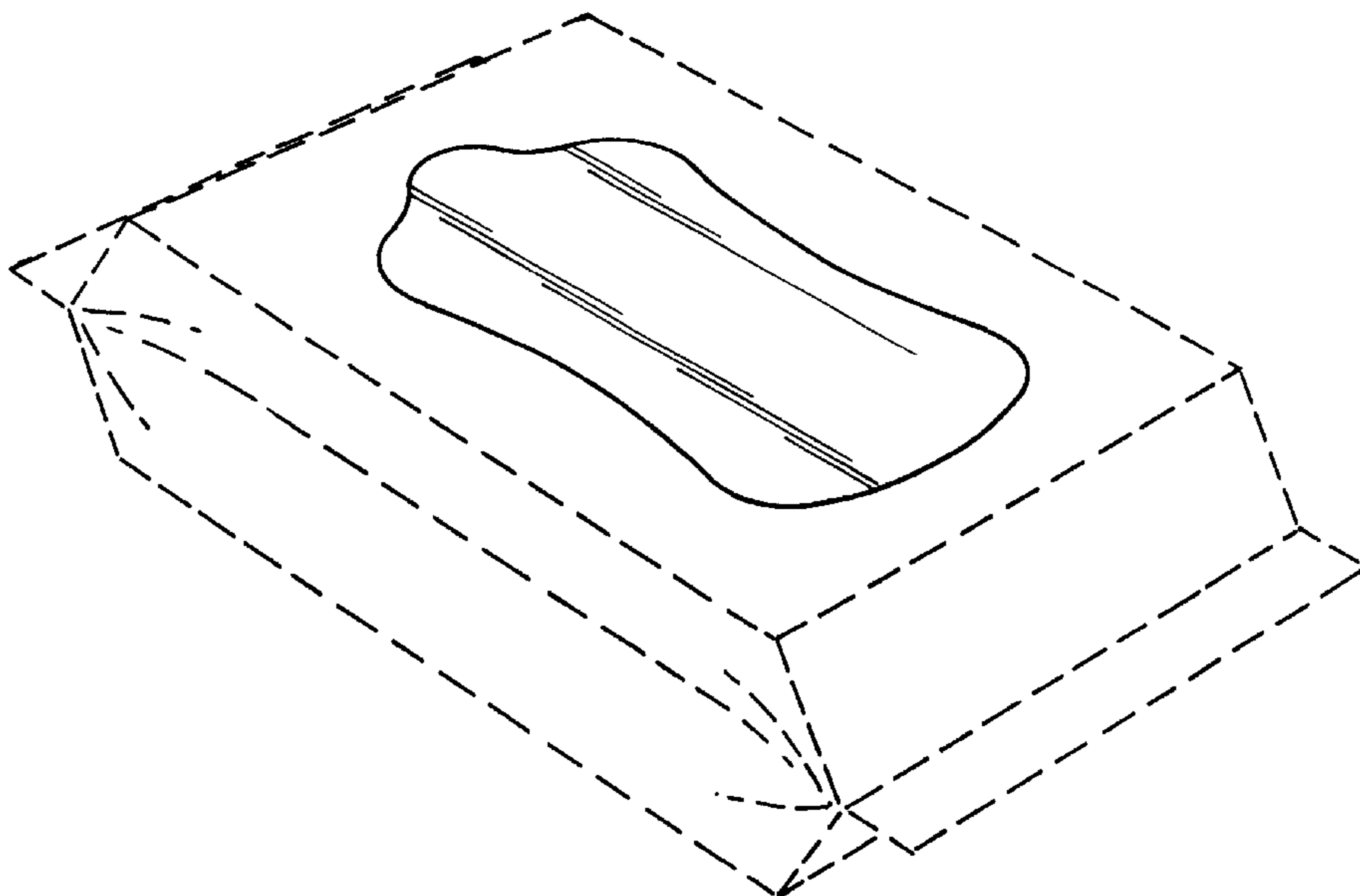


Fig.1.

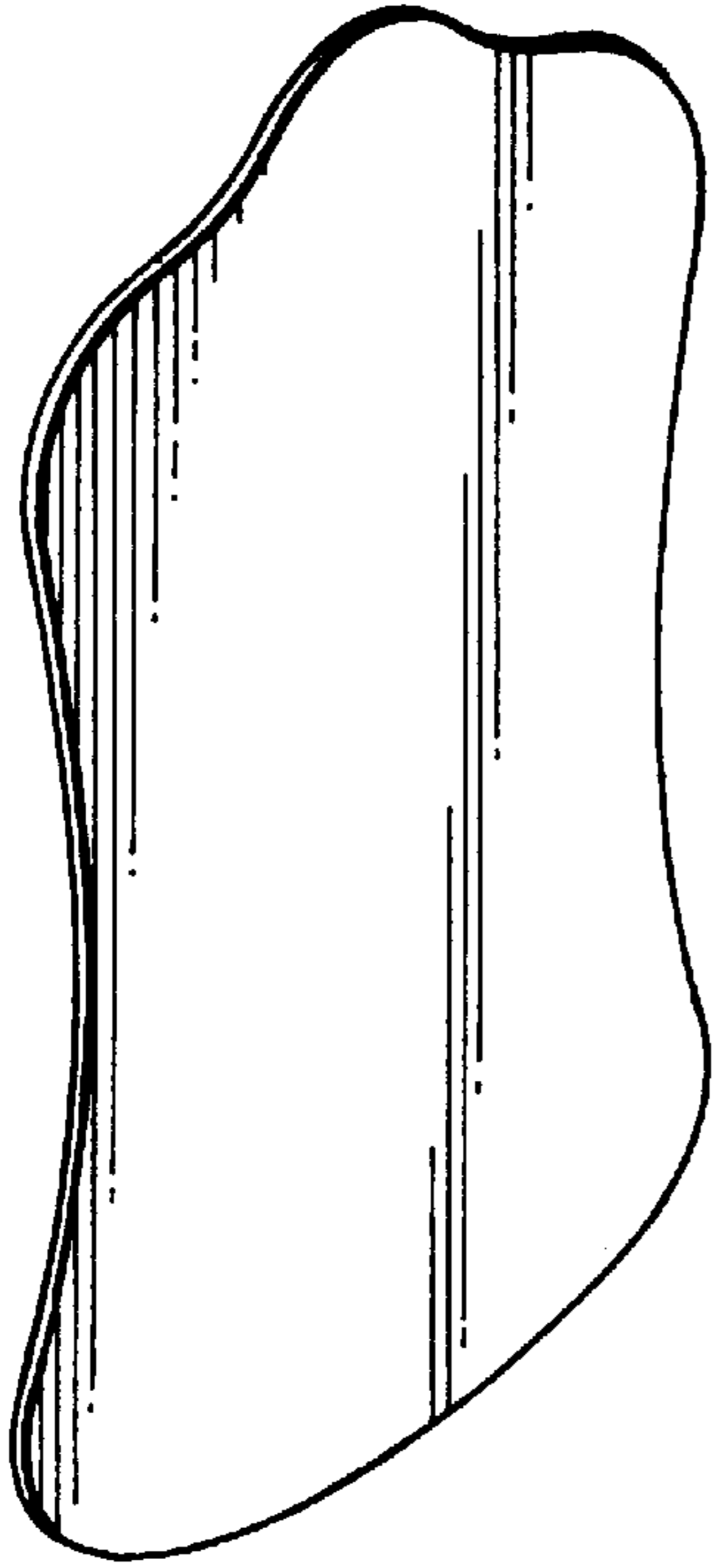


Fig.2.

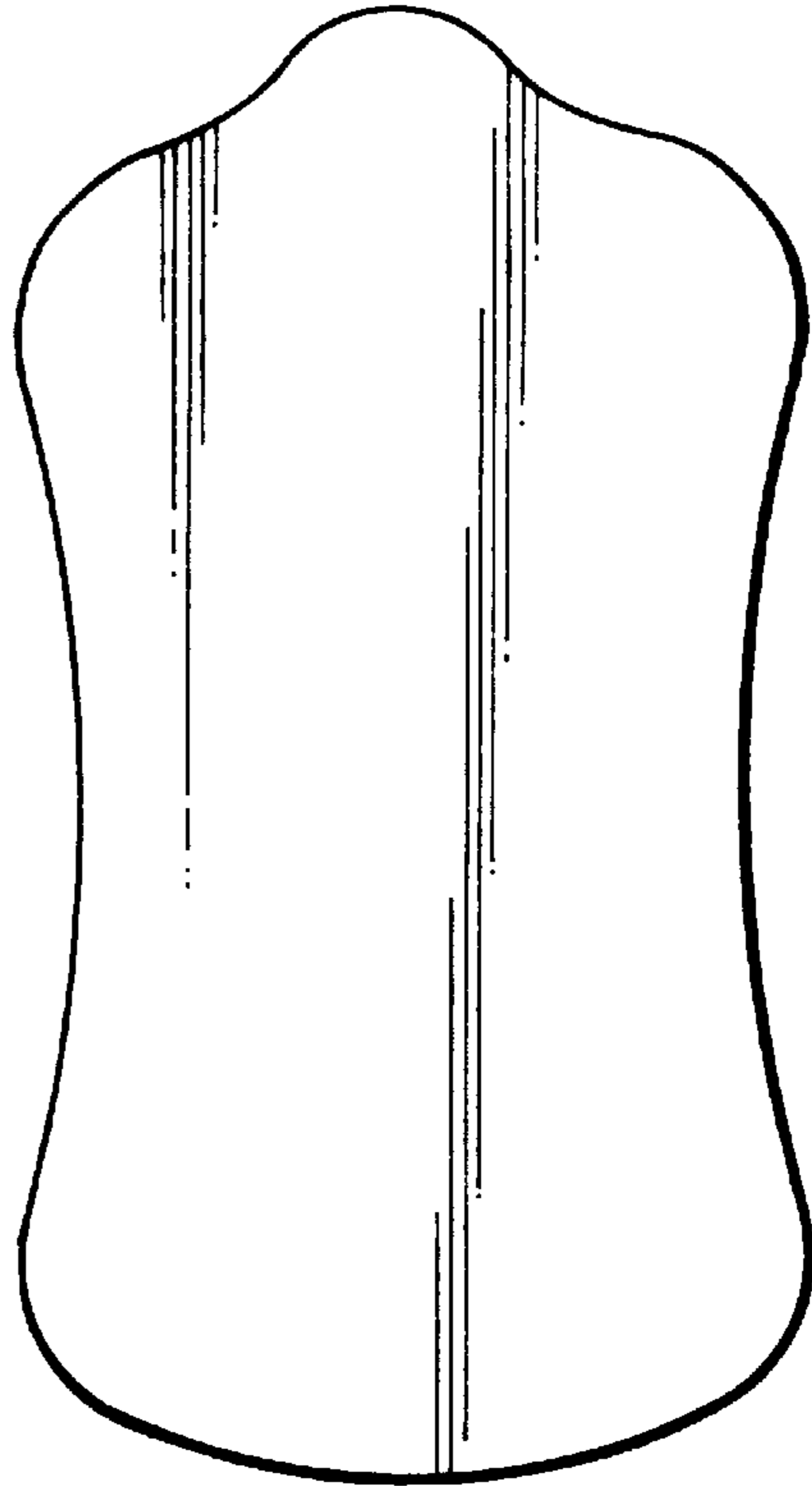


Fig.3.



Fig.4.



Fig.5.



Fig.6.

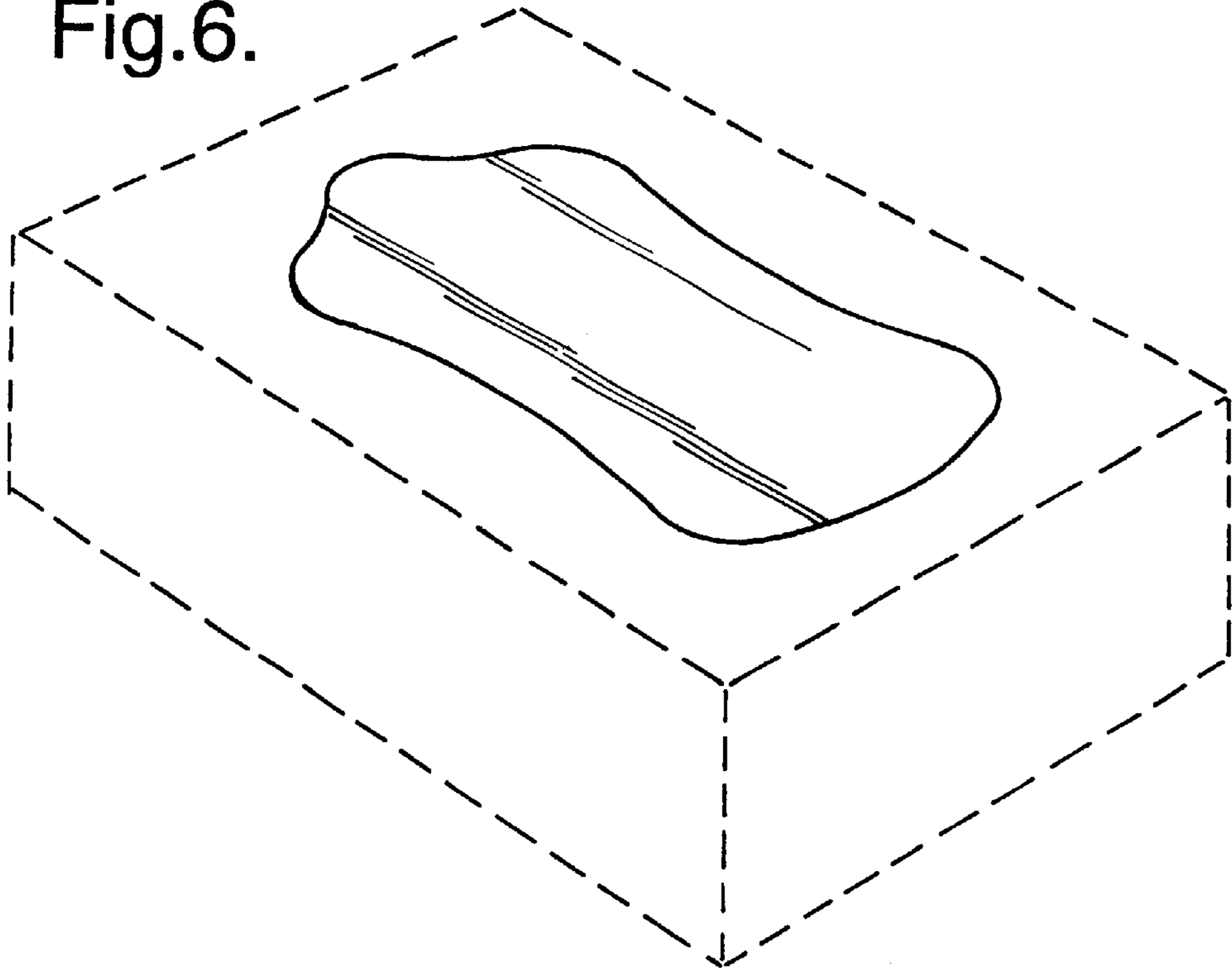


Fig.7.

