



US00D447050B1

(12) **United States Design Patent**
Humphrey

(10) **Patent No.:** **US D447,050 S**

(45) **Date of Patent:** **** Aug. 28, 2001**

(54) **PACKAGE DESIGN**

(75) **Inventor:** **Neill W. Humphrey**, El Dorado Hills,
CA (US)

(73) **Assignee:** **Trade Source International**, El Dorado
Hills, CA (US)

(**) **Term:** **14 Years**

(21) **Appl. No.:** **29/133,230**

(22) **Filed:** **Nov. 22, 2000**

(51) **LOC (7) Cl.** **09-03**

(52) **U.S. Cl.** **D9/345**

(58) **Field of Search** D9/341, 345-347,
D9/414-415, 424-425, 429; 206/321, 418,
305, 471, 776

(56) **References Cited**

U.S. PATENT DOCUMENTS

D. 280,884	*	10/1985	Holewinski et al.	D9/345
D. 430,015	*	8/2000	Himbert	D9/345
3,259,236	*	7/1966	Cole	206/776
4,375,262	*	3/1983	Hrenyo	206/418

5,064,056	*	11/1991	Gresh	206/321
5,695,057	*	12/1997	Sullivan	206/418
5,813,546	*	9/1998	Wilson et al.	206/471
5,890,593	*	4/1999	Humphrey	206/471
5,947,291	*	9/1999	Humphrey	206/471

* cited by examiner

Primary Examiner—Raphael Barkai

(74) *Attorney, Agent, or Firm*—Oppenheimer, Wolff &
Donnally, LLP

(57) **CLAIM**

The ornamental design for a package design, as shown and
described.

DESCRIPTION

FIG. 1 is a front perspective view of a package design
showing my new design;
FIG. 2 is a front elevational view thereof;
FIG. 3 is a right side elevational view thereof;
FIG. 4 is a left side elevational view thereof;
FIG. 5 is a top plan view of the package design of FIG. 1;
and,
FIG. 6 is a bottom plan view thereof.

1 Claim, 3 Drawing Sheets

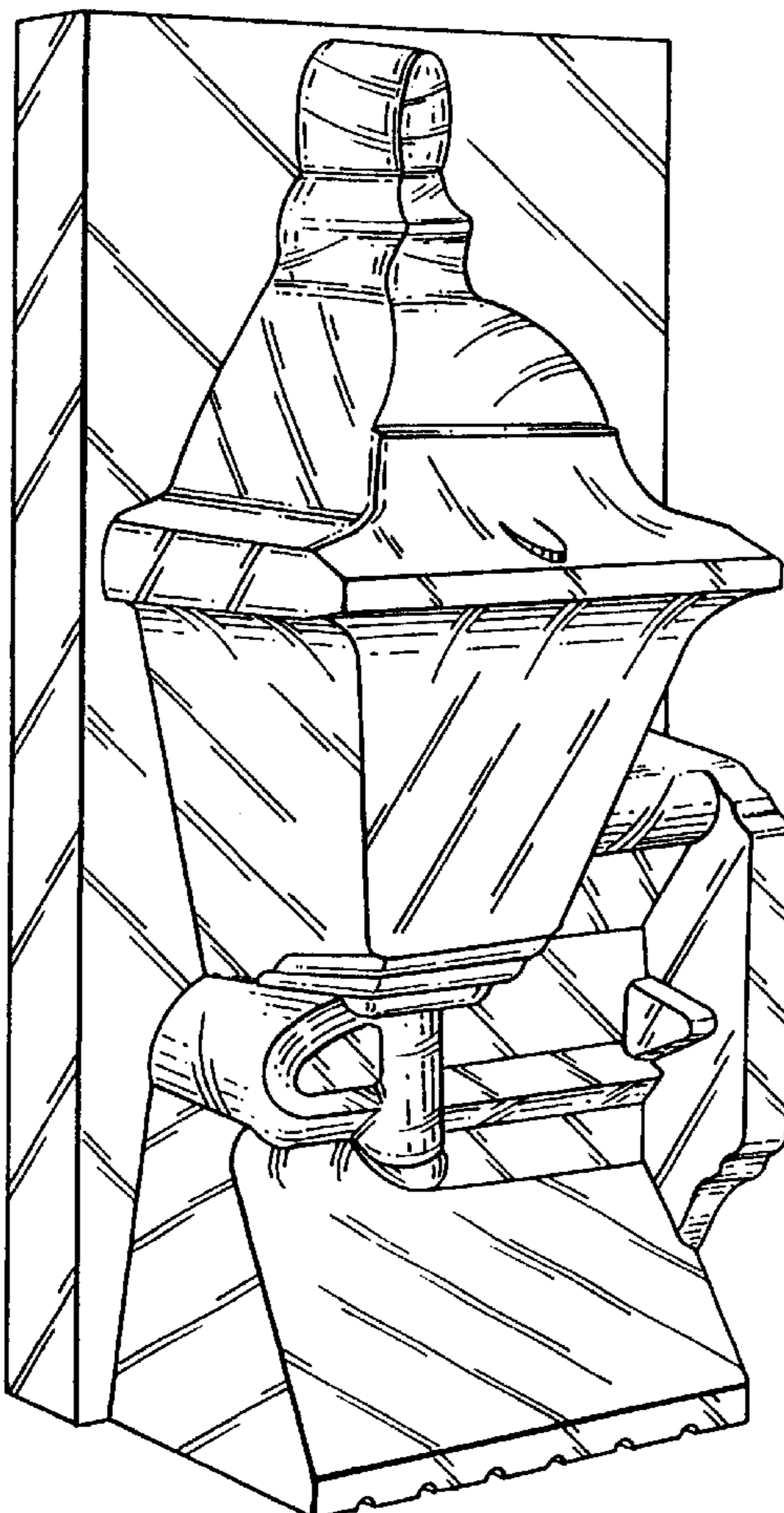


FIG. 1

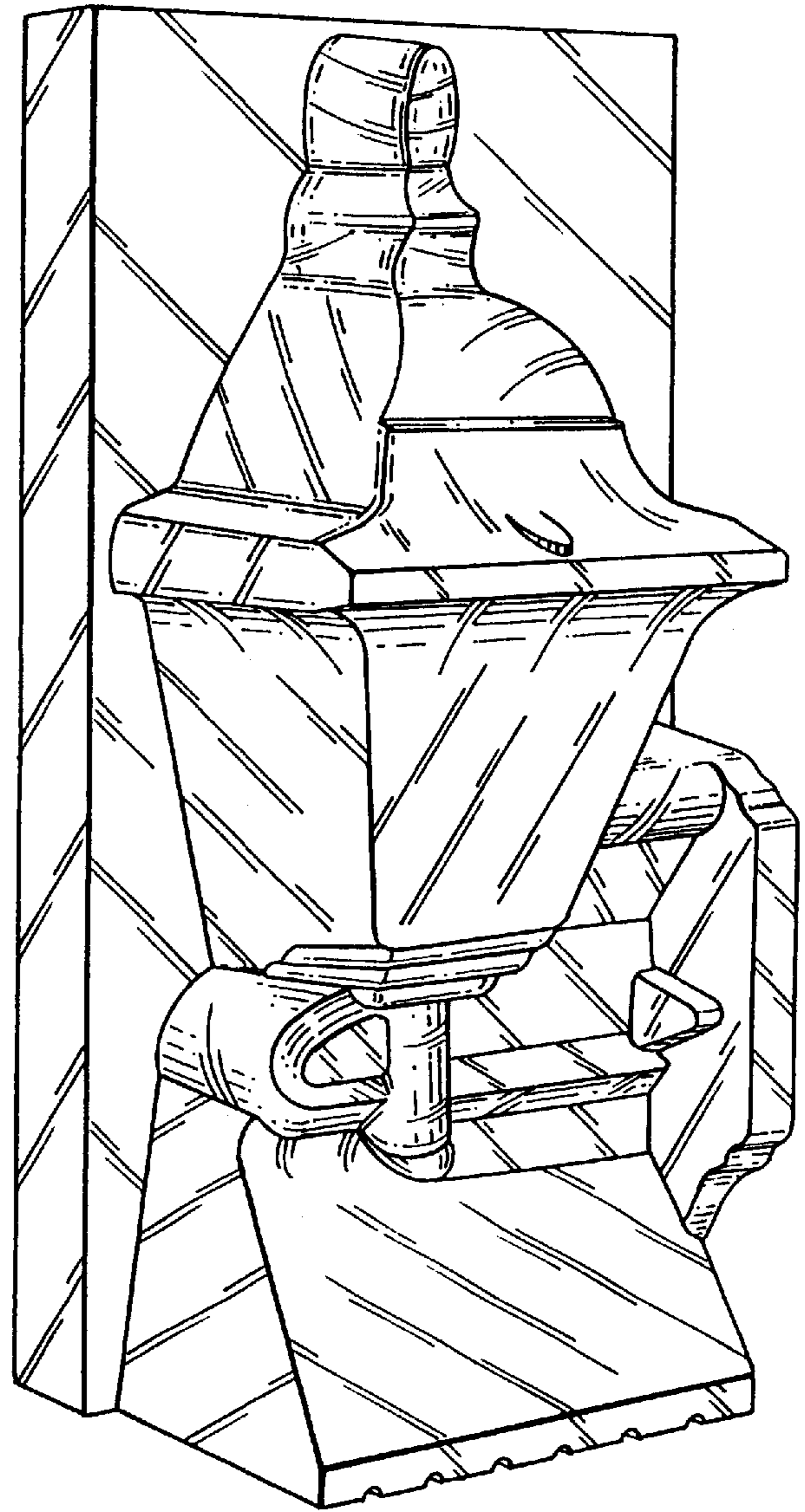
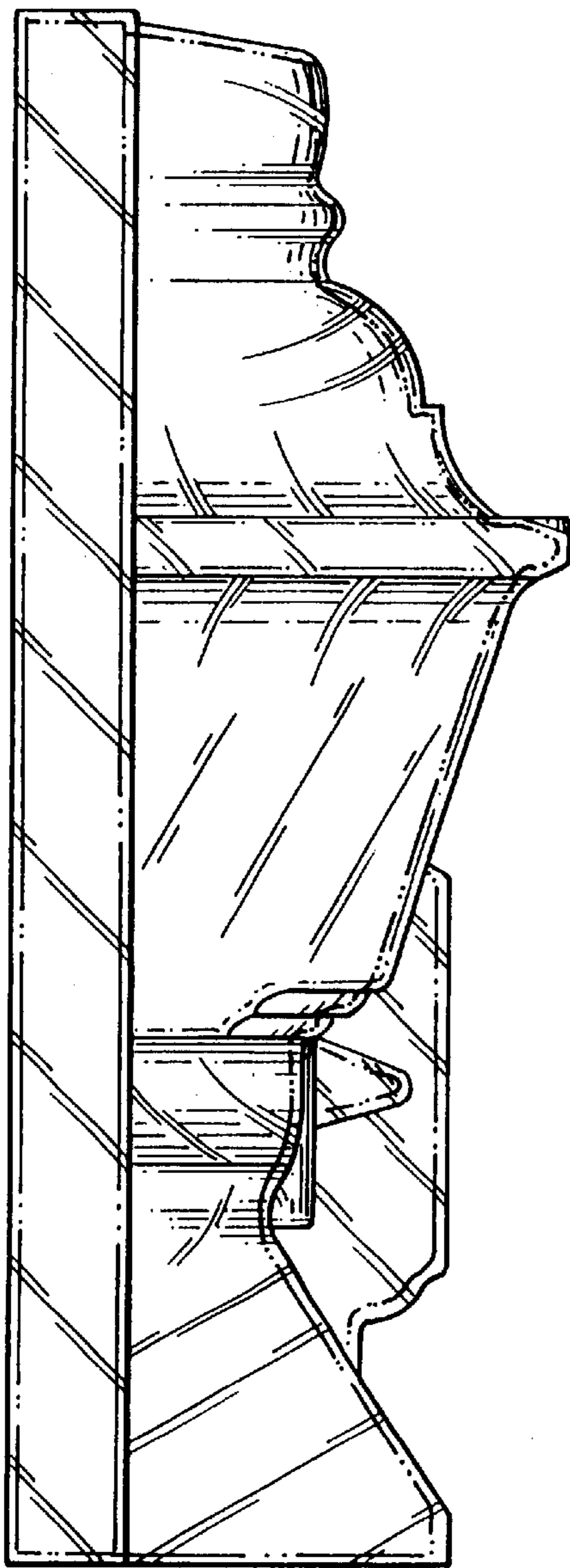


FIG. 4

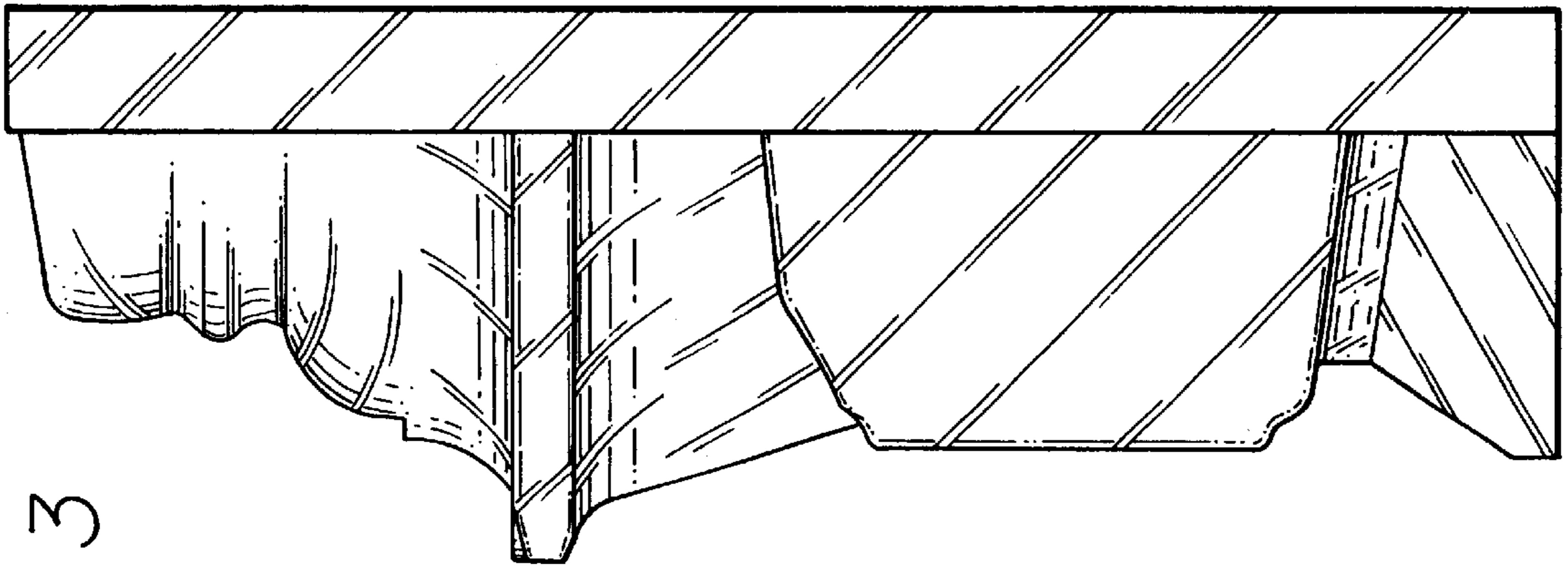


FIG. 3

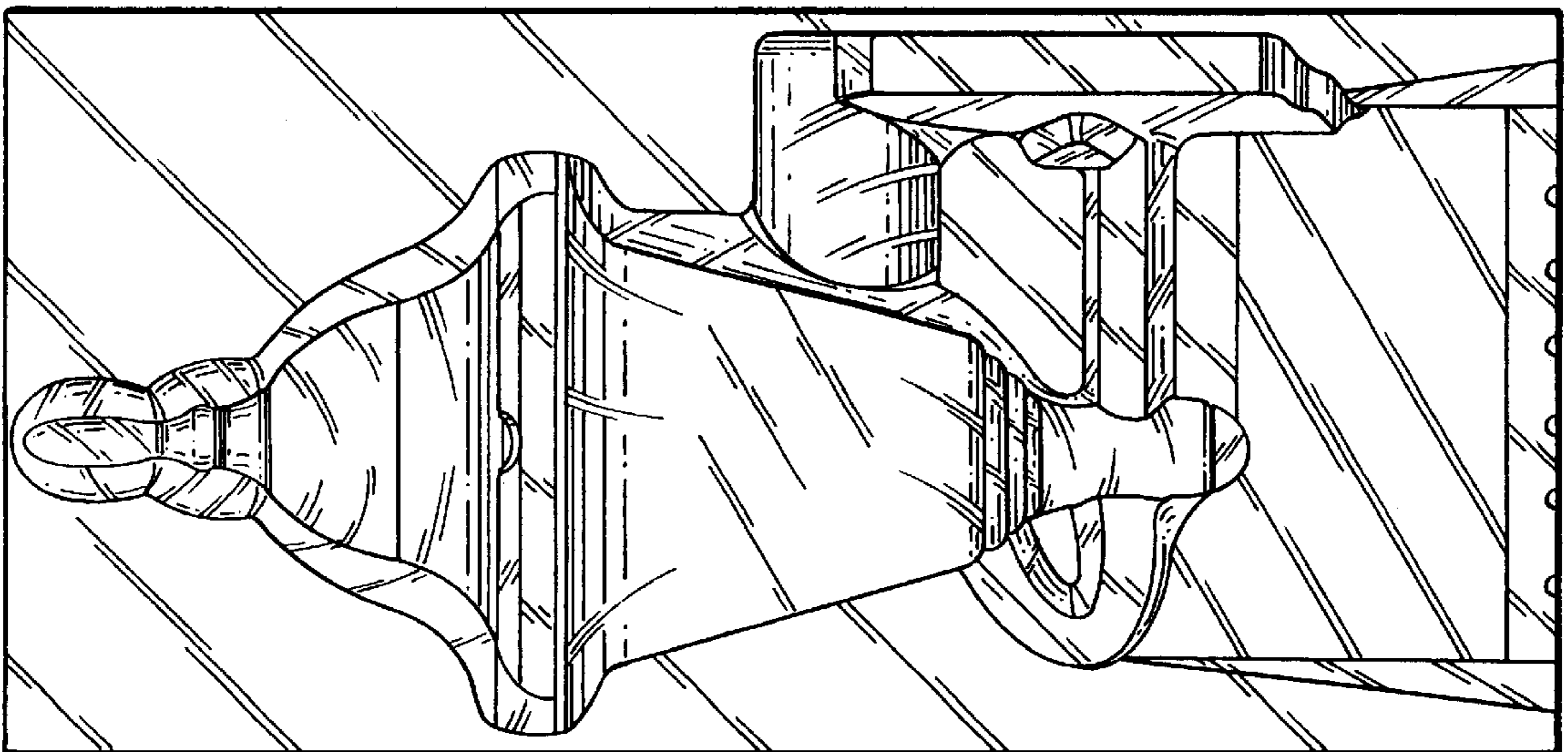


FIG. 2

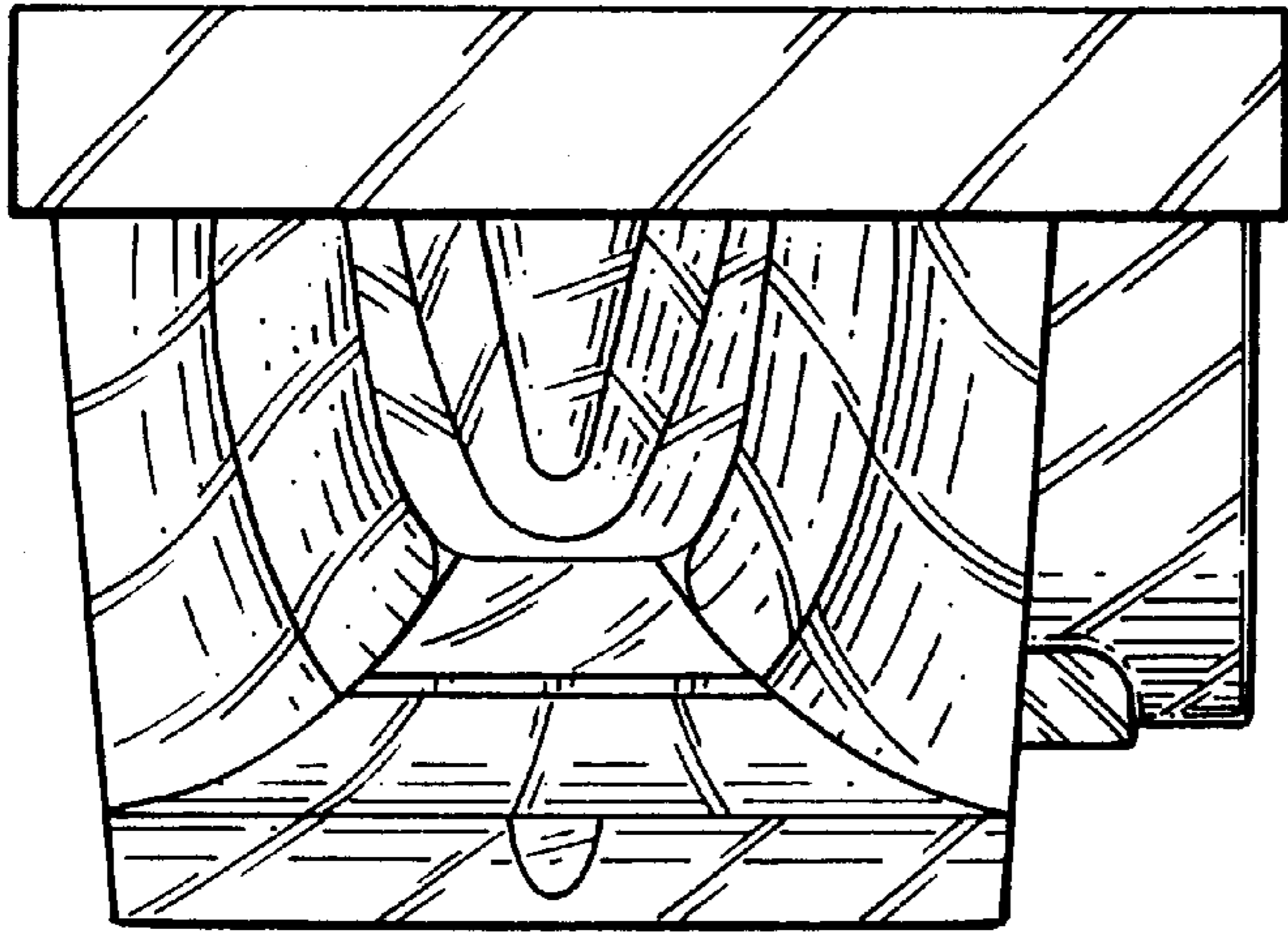


FIG. 5

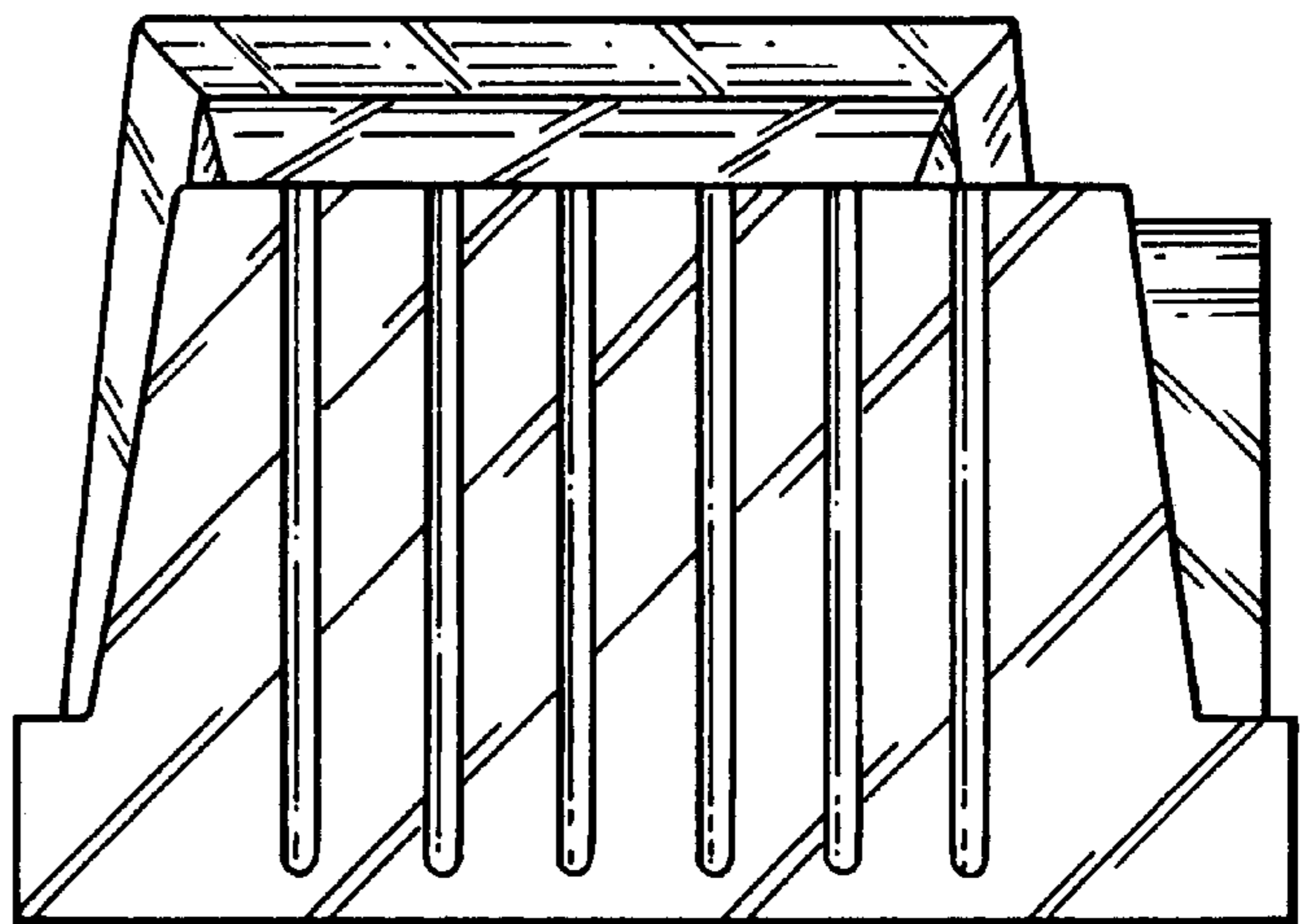


FIG. 6