



US00D447048B1

(12) **United States Design Patent**
Beloff

(10) **Patent No.:** **US D447,048 S**

(45) **Date of Patent:** **** Aug. 28, 2001**

(54) **ONE-PIECE CLIP**

5,305,500 * 4/1994 Tucker 24/30.5 R
5,640,742 * 6/1997 White et al. 24/3.12

(76) Inventor: **Arthur Beloff**, 61 Curlew Rd., Pt.
Manalapan, FL (US) 33462

* cited by examiner

(**) Term: **14 Years**

Primary Examiner—James Grandy

Assistant Examiner—Daniel Bui

(21) Appl. No.: **29/140,463**

(74) *Attorney, Agent, or Firm*—Robert M. Downey, PA

(22) Filed: **Apr. 18, 2001**

(57) **CLAIM**

(51) **LOC (7) Cl.** **08-08**

The ornamental design for a one-piece clip, as shown and described.

(52) **U.S. Cl.** **D8/395**

(58) **Field of Search** D8/395, 394; 24/3.12,
24/67 R, 67.3, 67.9, 336, 326, 530, 543,
545, 561, 564, 565, 570; 248/231.81; D19/65;
D32/61, 65

DESCRIPTION

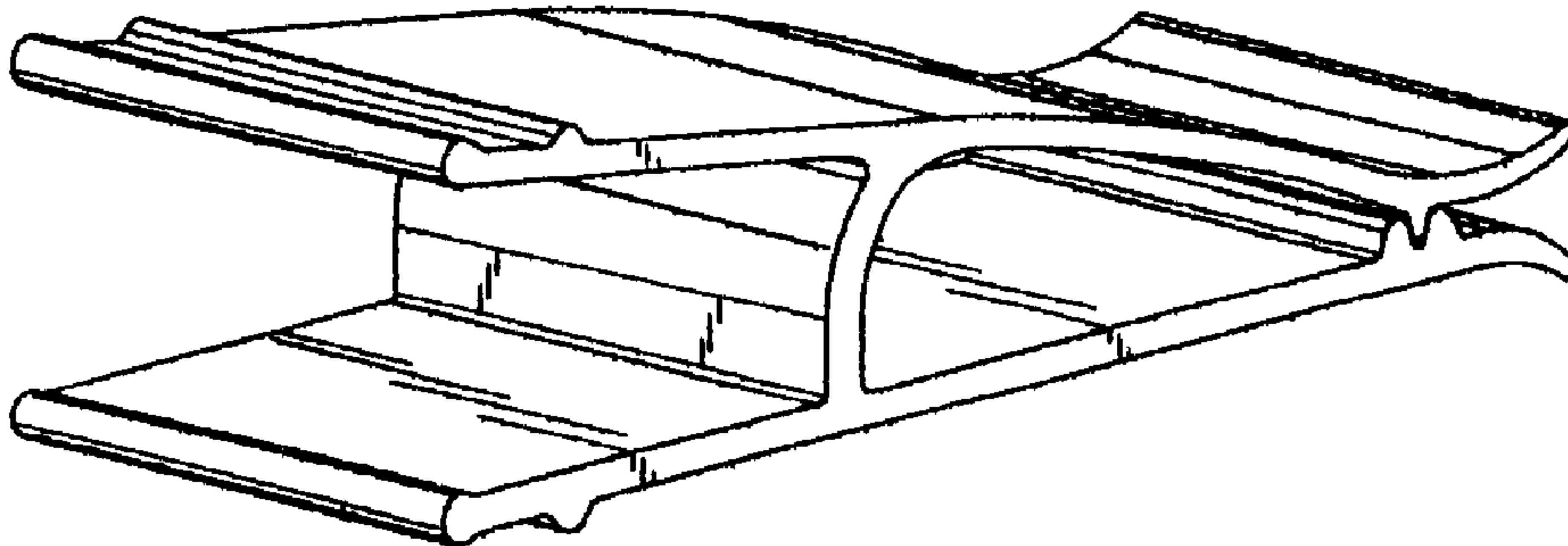
FIG. 1 is a top, rear perspective view of a one-piece clip showing my new design;
FIG. 2 is a left side elevational view thereof, the right side elevational view being identical thereto;
FIG. 3 is a bottom plan view thereof;
FIG. 4 is a top plan view thereof;
FIG. 5 is a rear elevational view thereof; and,
FIG. 6 is a front elevational view thereof.

(56) **References Cited**

U.S. PATENT DOCUMENTS

D. 386,215 * 11/1997 White et al. D20/43
3,309,052 * 3/1967 Borisof 248/205
4,506,416 * 3/1985 Ohminato et al. 24/67 R

1 Claim, 1 Drawing Sheet



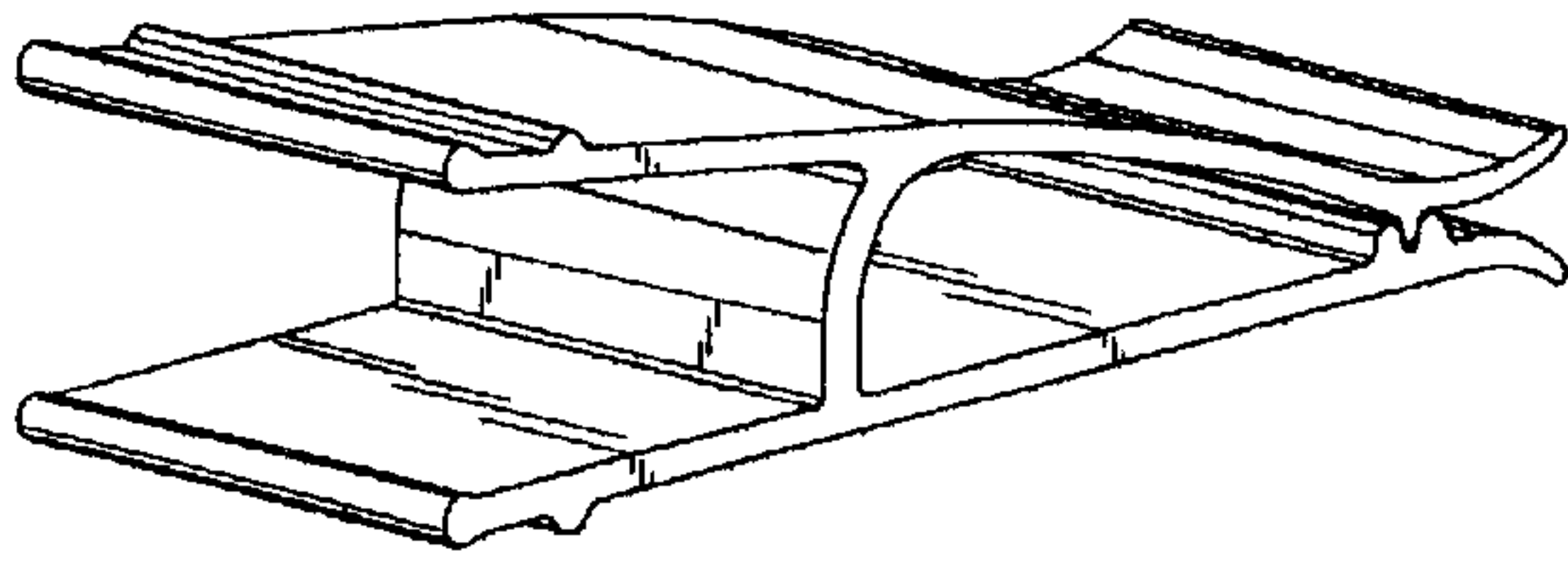


FIG. 1

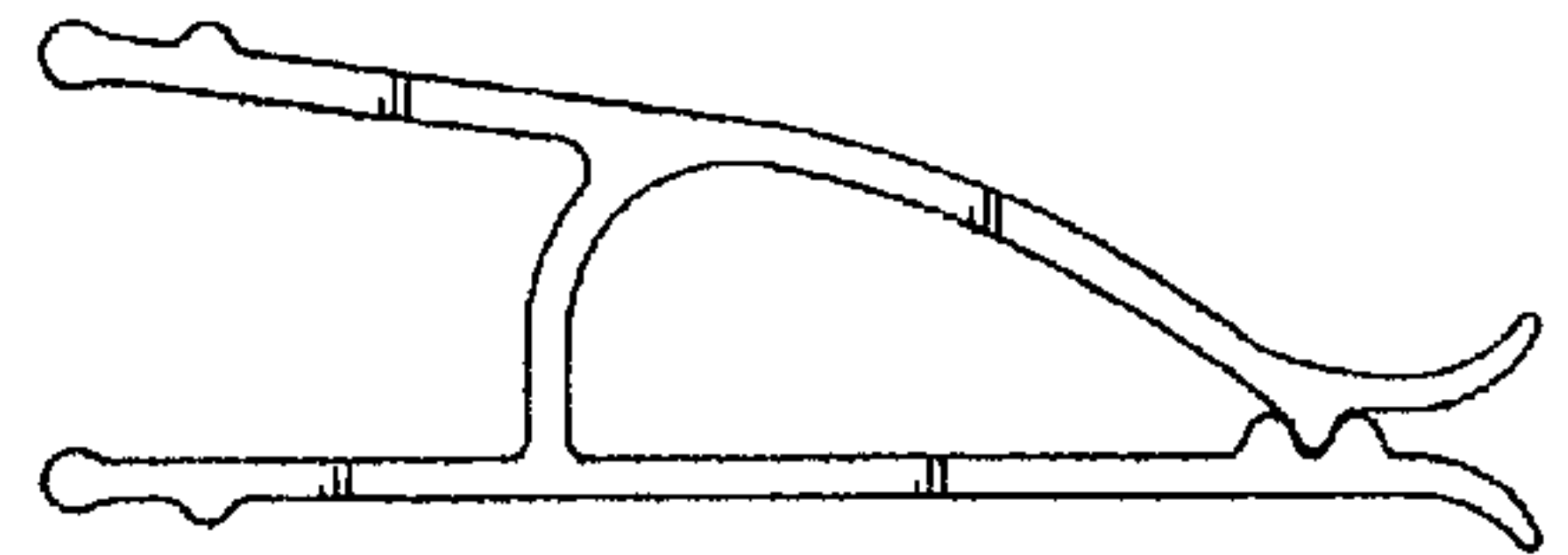


FIG. 2

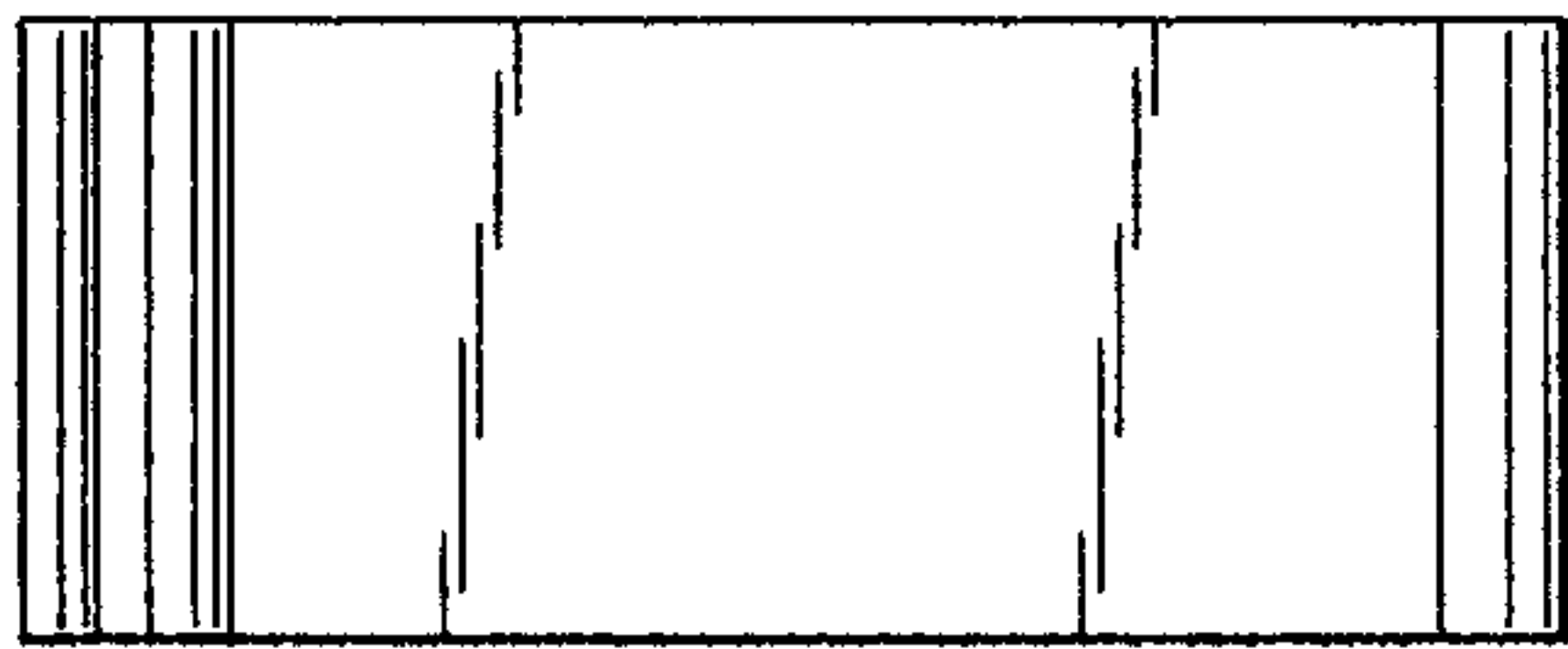


FIG. 3

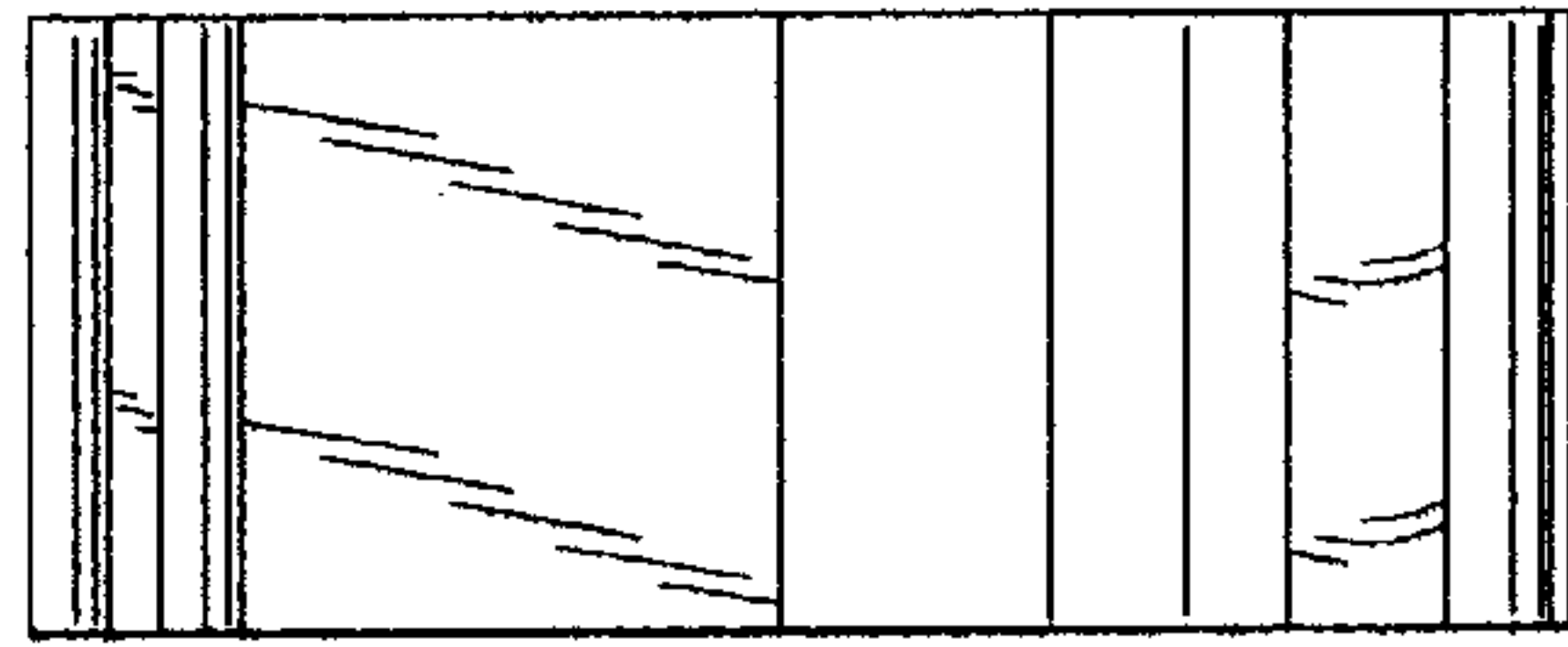


FIG. 4

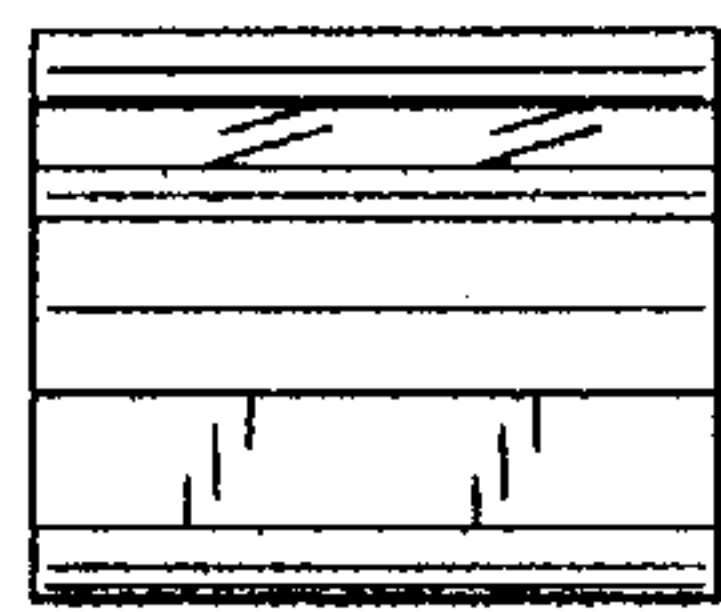


FIG. 5

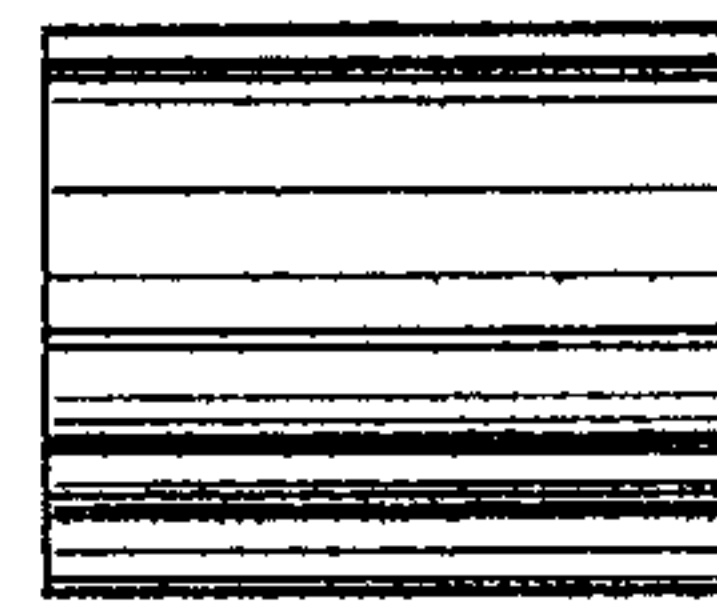


FIG. 6