



US00D447047B1

(12) **United States Design Patent**
Clifford

(10) **Patent No.:** **US D447,047 S**

(45) **Date of Patent:** **** Aug. 28, 2001**

(54) **ADJUSTABLE GUTTER HANGER BRACKET**

(76) Inventor: **Leo D. Clifford**, 10155 Greenbrier Rd.,
Minnetonka, MN (US) 55343

(**) Term: **14 Years**

(21) Appl. No.: **29/134,687**

(22) Filed: **Dec. 28, 2000**

(51) **LOC (7) Cl.** **08-08**

(52) **U.S. Cl.** **D8/373; D8/349**

(58) **Field of Search** D8/349, 367, 381,
D8/380, 369, 371, 373, 363; 248/244, 246,
243, 245, 250, 225.21; 108/108

(56) **References Cited**

U.S. PATENT DOCUMENTS

- D. 358,321 * 5/1995 Tayar D8/381
- D. 420,567 * 2/2000 Laga et al. D8/373
- 4,299,368 * 11/1981 Winkler 248/246

* cited by examiner

Primary Examiner—Pamela Burgess

(74) *Attorney, Agent, or Firm*—John W. Bunch

(57) **CLAIM**

The ornamental design for an adjustable gutter hanger bracket, as shown and described.

DESCRIPTION

FIG. 1 is a perspective view of the adjustable gutter hanger bracket of my new design, with a section of gutter therein being shown in phantom lines for illustrative purposes and forming no part of the invention;

FIG. 2 is a front elevational view thereof;

FIG. 3 is rear elevational view thereof;

FIG. 4 is a top plan view thereof;

FIG. 5 is a left side elevational view thereof, the right side being a mirror image of that shown, with movement of the handle being shown in phantom lines for illustrative purposes and forming no part of the invention; and,

FIG. 6 is a bottom plan view thereof.

1 Claim, 2 Drawing Sheets

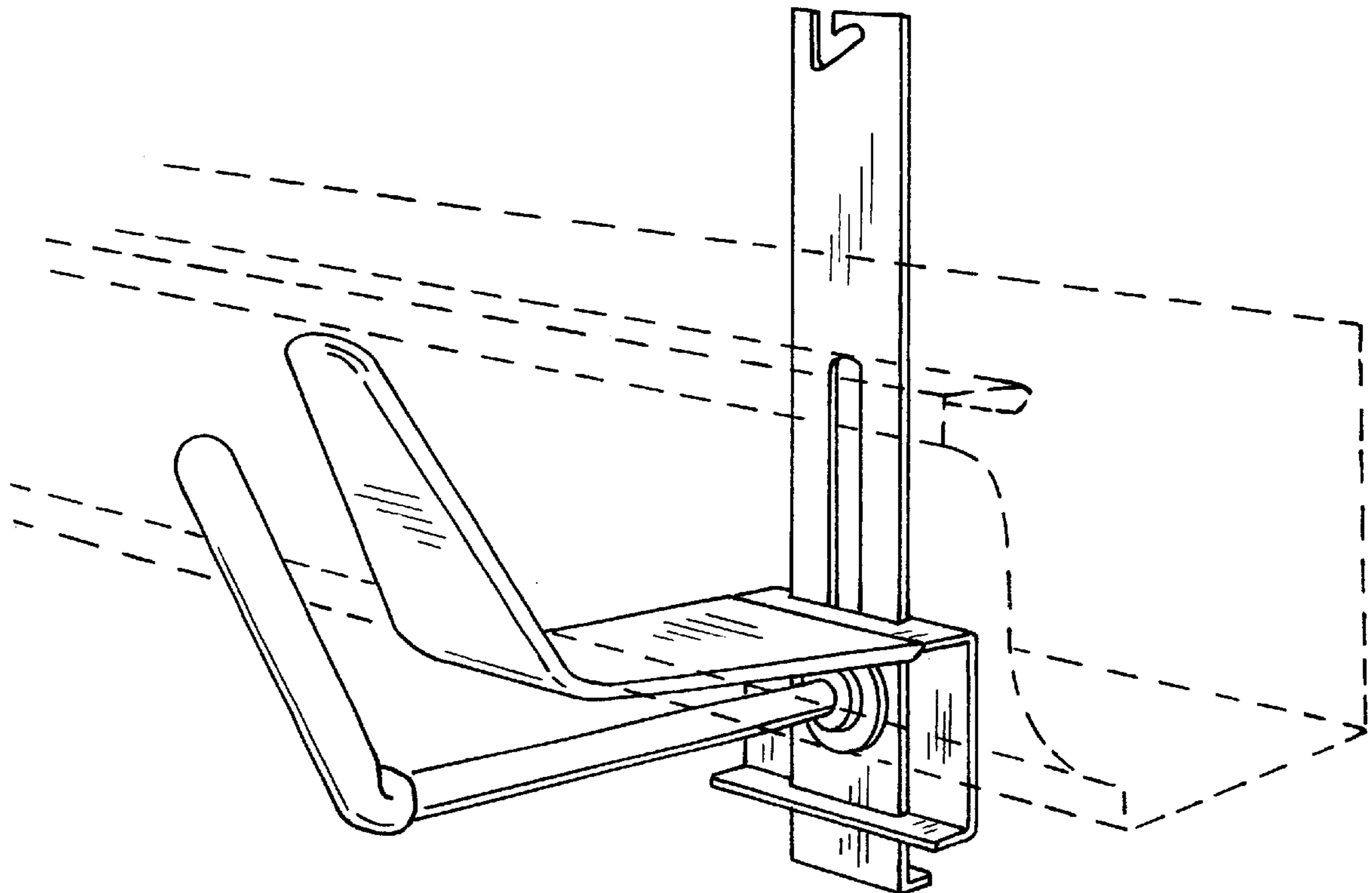


FIG. 1

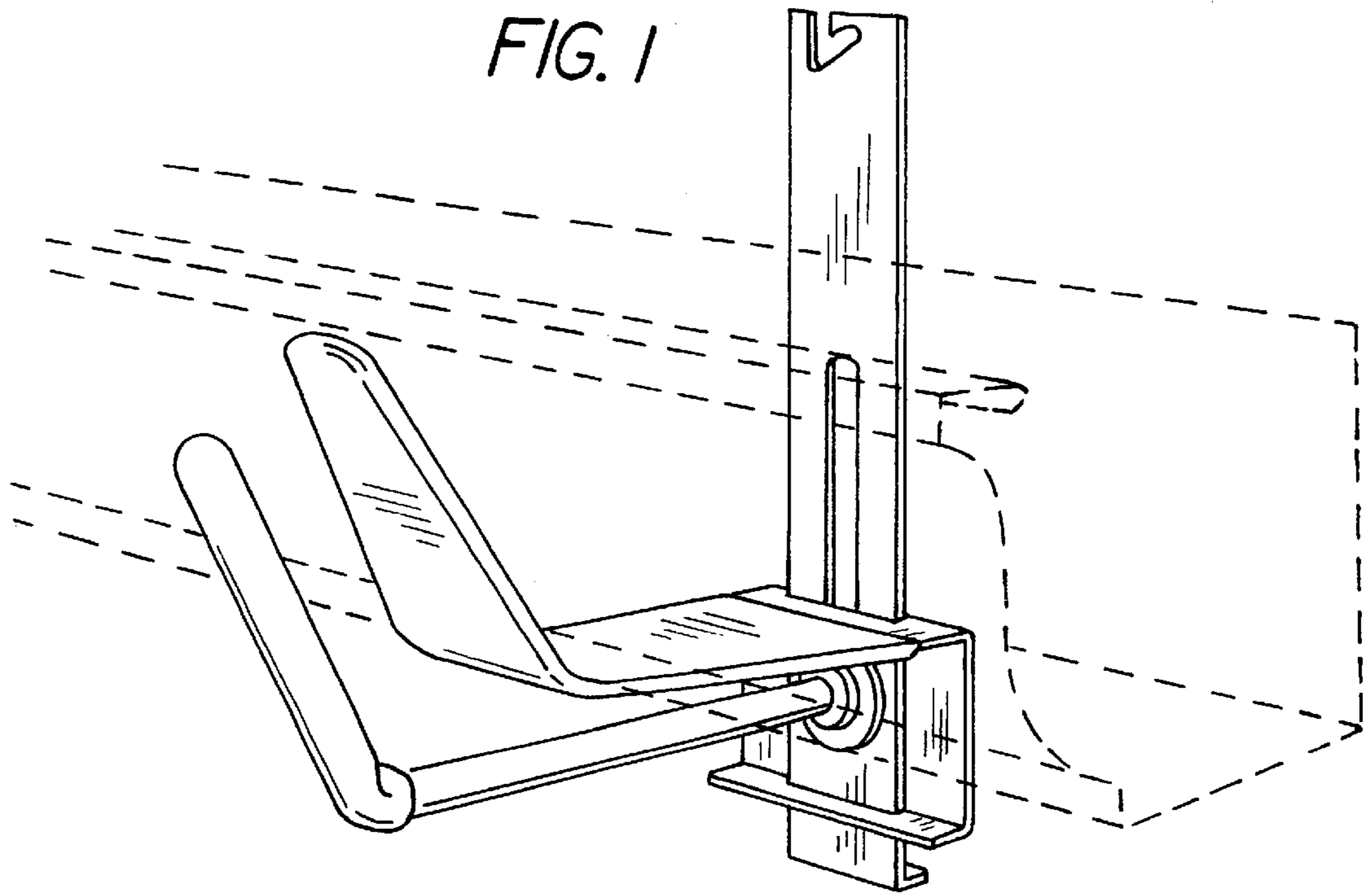


FIG. 2

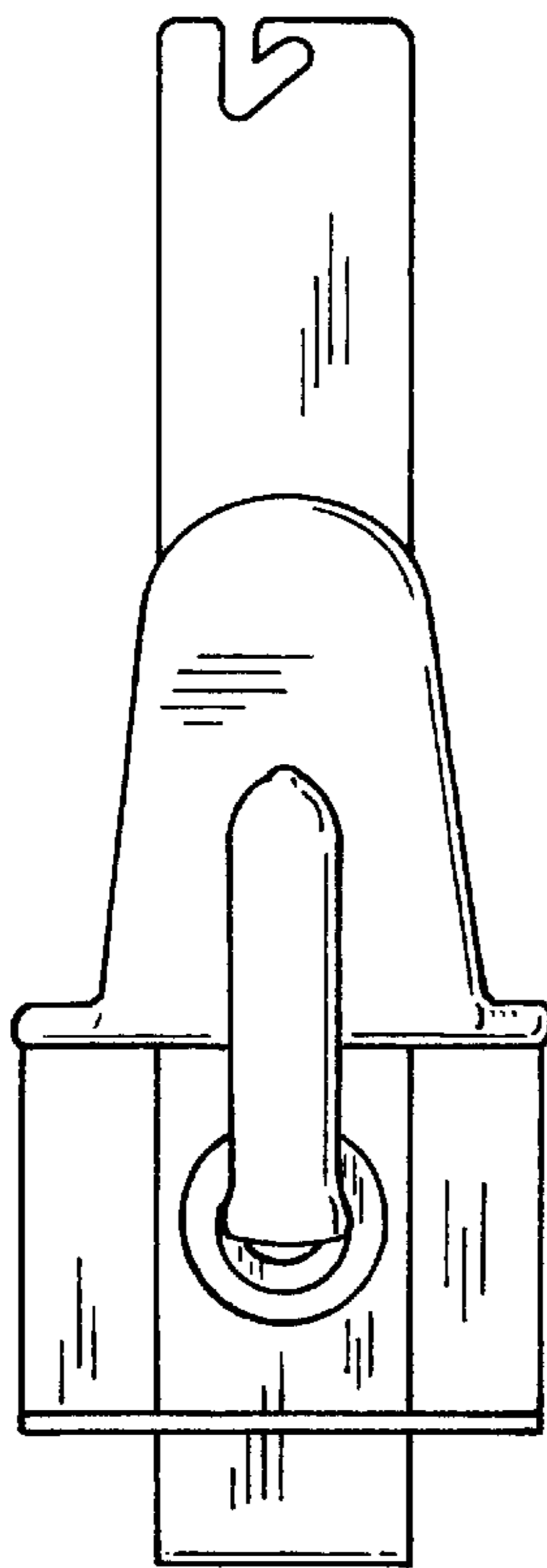


FIG. 3

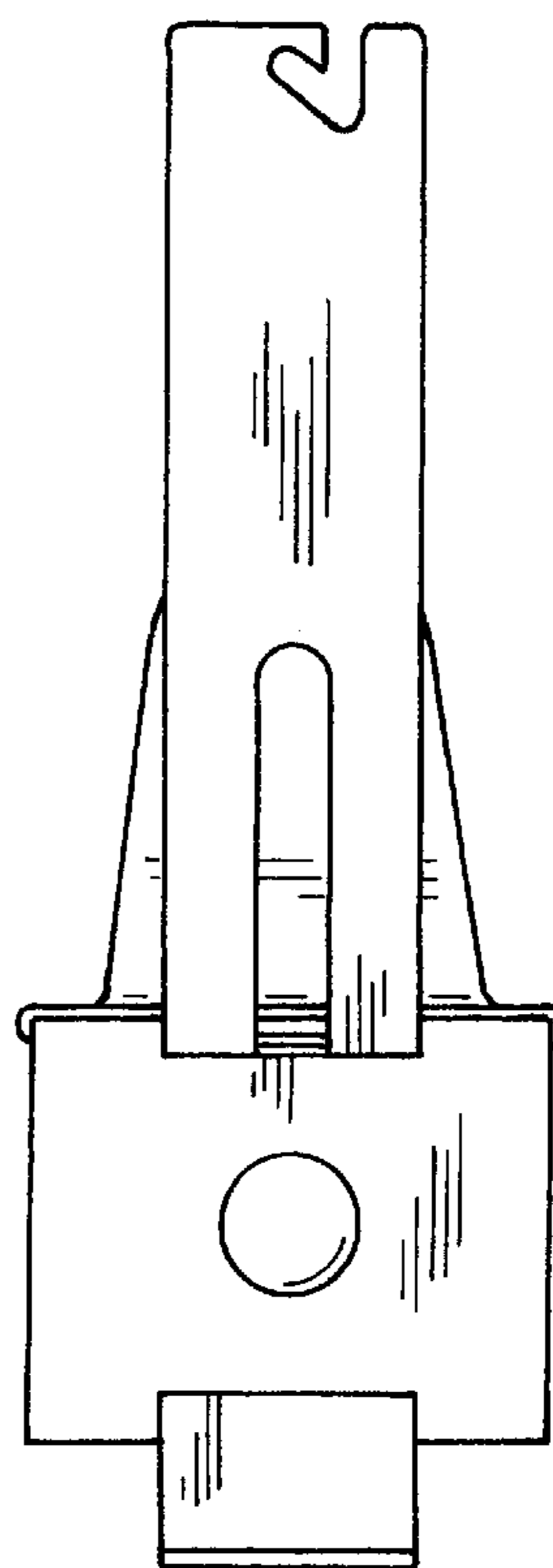


FIG. 4

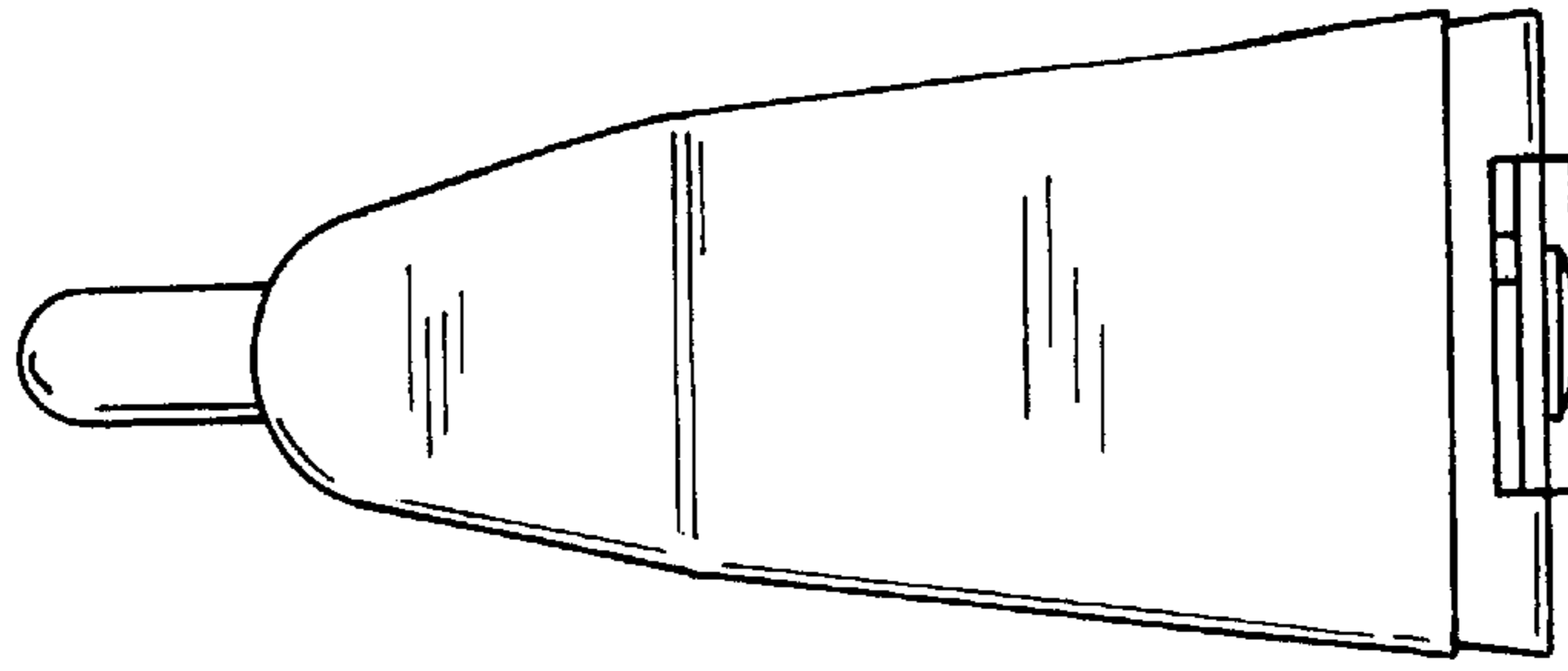


FIG. 5

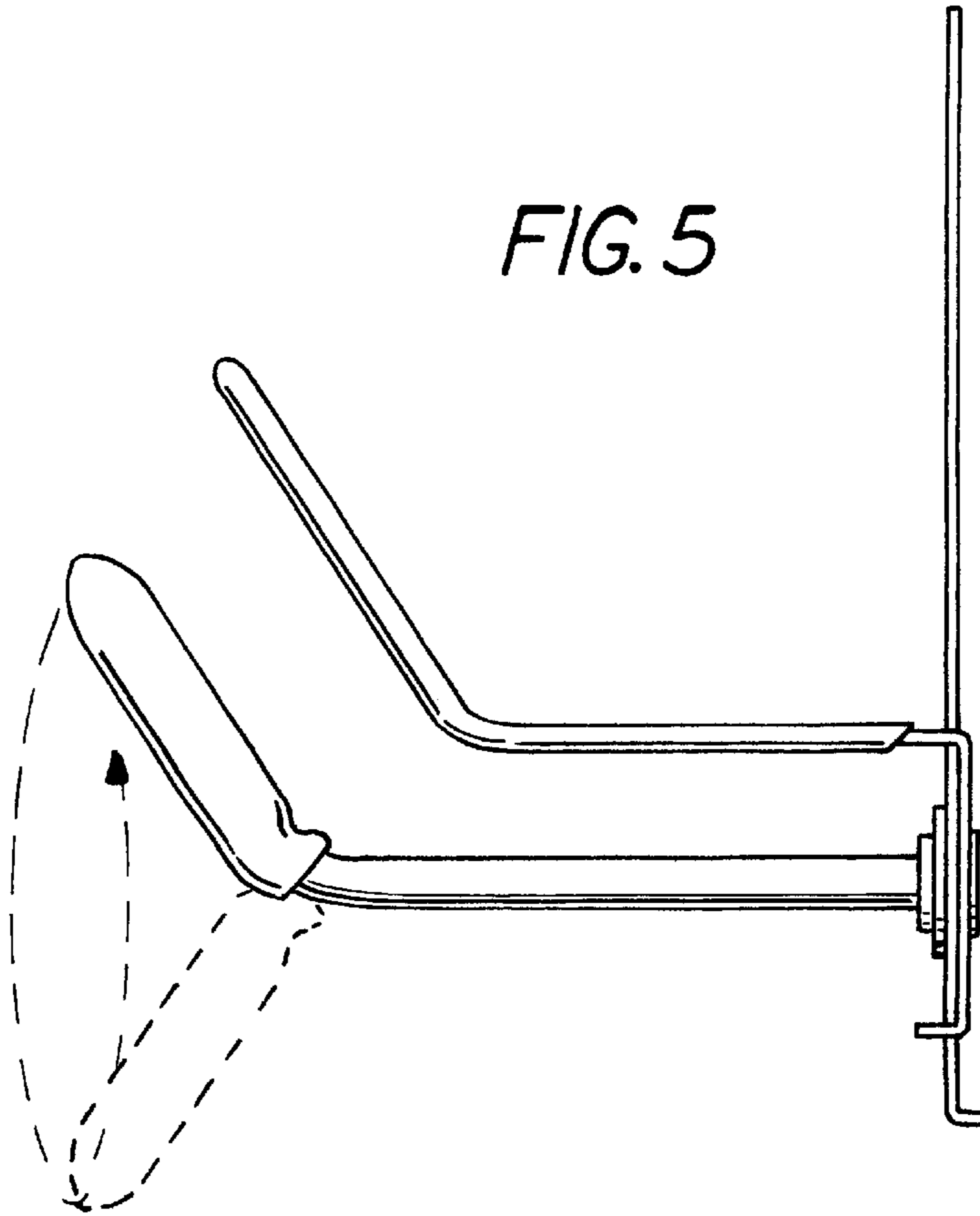


FIG. 6

