



US00D447045B1

(12) **United States Design Patent**
Hundley

(10) **Patent No.:** **US D447,045 S**

(45) **Date of Patent:** **** Aug. 28, 2001**

(54) **BRACKET**

(75) Inventor: **Jeffrey B. Hundley**, Alpharetta, GA (US)

(73) Assignees: **Epic Metals Corp.**, Rankin, PA (US);
Infinity Structures, Inc., Alpharetta, GA (US)

(**) Term: **14 Years**

(21) Appl. No.: **29/133,283**

(22) Filed: **Nov. 27, 2000**

(51) **LOC (7) Cl.** **08-05**

(52) **U.S. Cl.** **D8/354; D25/114**

(58) **Field of Search** D8/380, 349, 354;
D19/34.1; D25/108, 122, 102, 113-118;
52/596, 604-612, 280, 657, 291

(56) **References Cited**

U.S. PATENT DOCUMENTS

D. 367,715 *	3/1996	Joubert	D25/114
1,514,577	11/1924	Burrell	.	
1,536,717	5/1925	Krekel	.	
1,574,329	2/1926	White	.	
2,126,511	8/1938	Soulé	.	
2,302,101	11/1942	Boydston	.	
2,497,887	2/1950	Hilpert	.	
2,856,646	10/1958	Latimer et al.	.	
3,092,407	6/1963	Blonder	.	
3,612,291	10/1971	Skubie	.	
4,065,218	12/1977	Biggane	.	

4,267,682	5/1981	Fowler et al.	.	
4,441,289	4/1984	Ikuo et al.	.	
4,442,989	4/1984	Hartmann	.	
4,716,695	1/1988	Alexander et al.	.	
4,758,111 *	7/1988	Vitta	42/280
4,925,330	5/1990	Cornish	.	
5,375,382	12/1994	Weidlinger	.	
5,440,844 *	8/1995	Chihara et al.	52/280
5,466,089 *	11/1995	Jurik	404/34
5,630,298	5/1997	Tsai et al.	.	
5,765,248	6/1998	Ono	.	
5,832,679	11/1998	Roth	.	
5,974,759	11/1999	Burger	.	
6,014,843	1/2000	Crumley et al.	.	

* cited by examiner

Primary Examiner—Pamela Burgess

(74) *Attorney, Agent, or Firm*—Webb Ziesenheim Logsdon Orkin & Hanson, P.C.

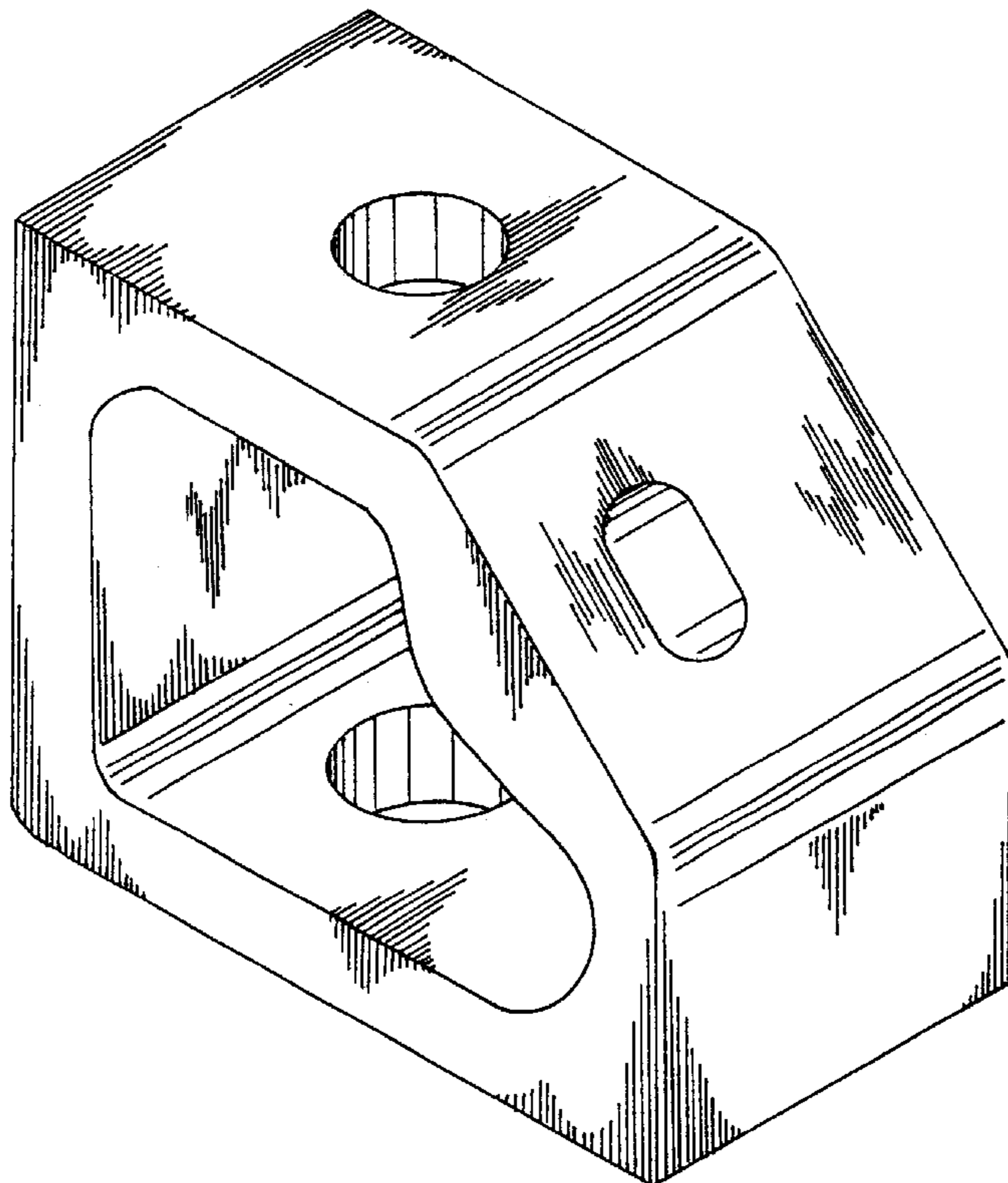
(57) **CLAIM**

The ornamental design for a bracket, as shown.

DESCRIPTION

FIG. 1 is a perspective view of a bracket showing my new design;
FIG. 2 is a left side elevational view thereof;
FIG. 3 is a right side elevational view thereof;
FIG. 4 is a top plan view thereof;
FIG. 5 is a bottom plan view thereof;
FIG. 6 is a front end elevational view thereof; and,
FIG. 7 is a rear end elevational view thereof.

1 Claim, 4 Drawing Sheets



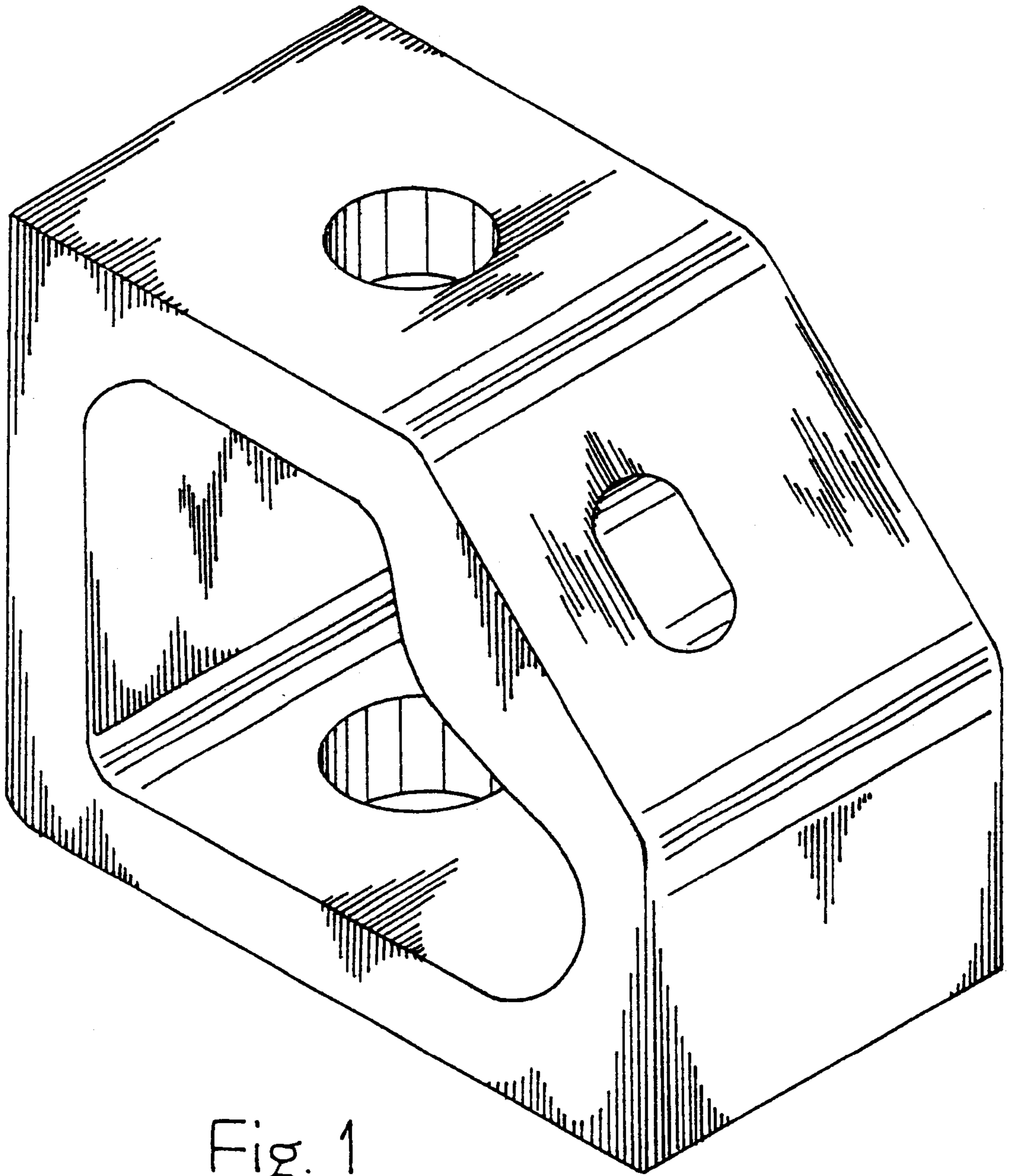


Fig. 1

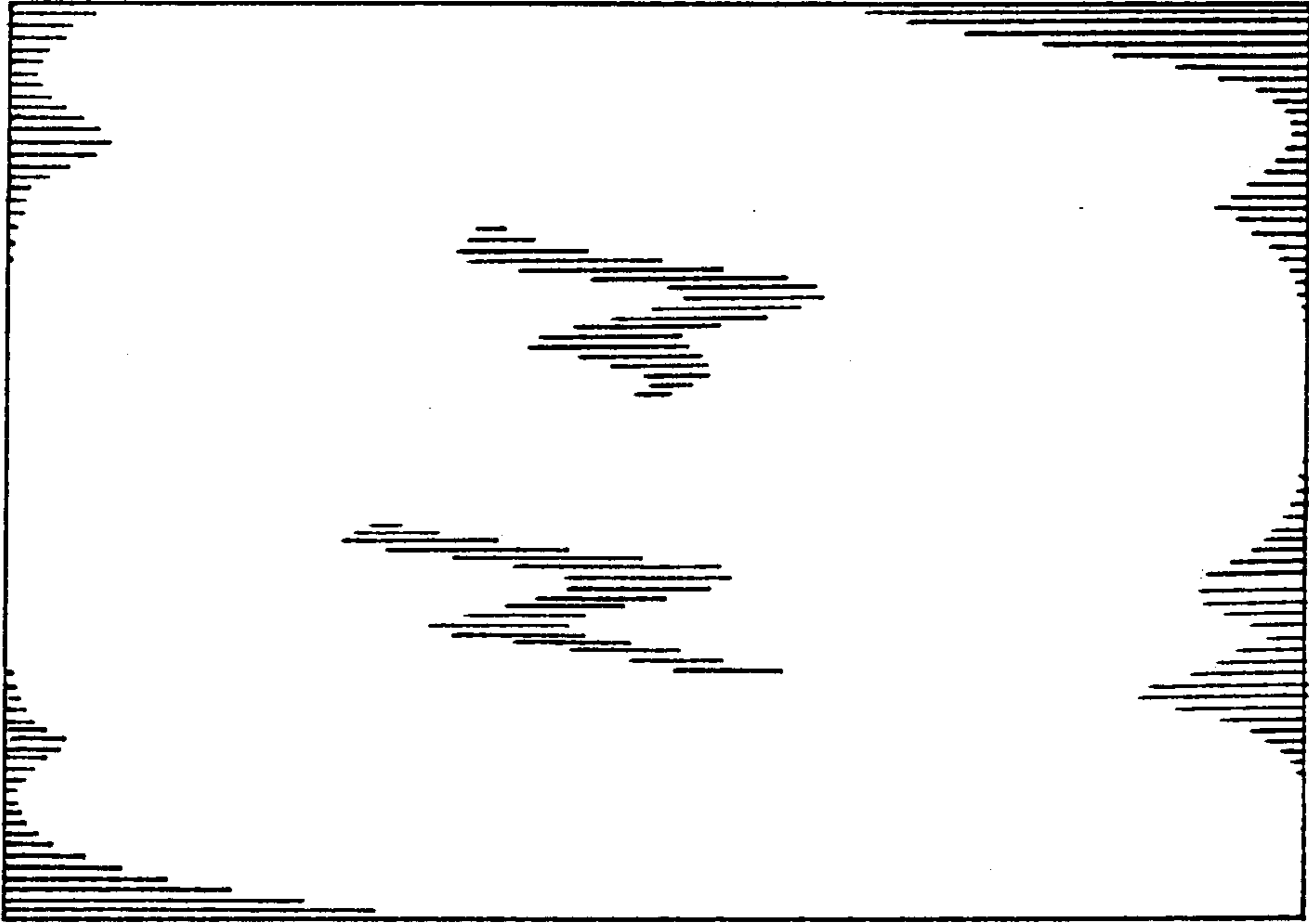


Fig. 2

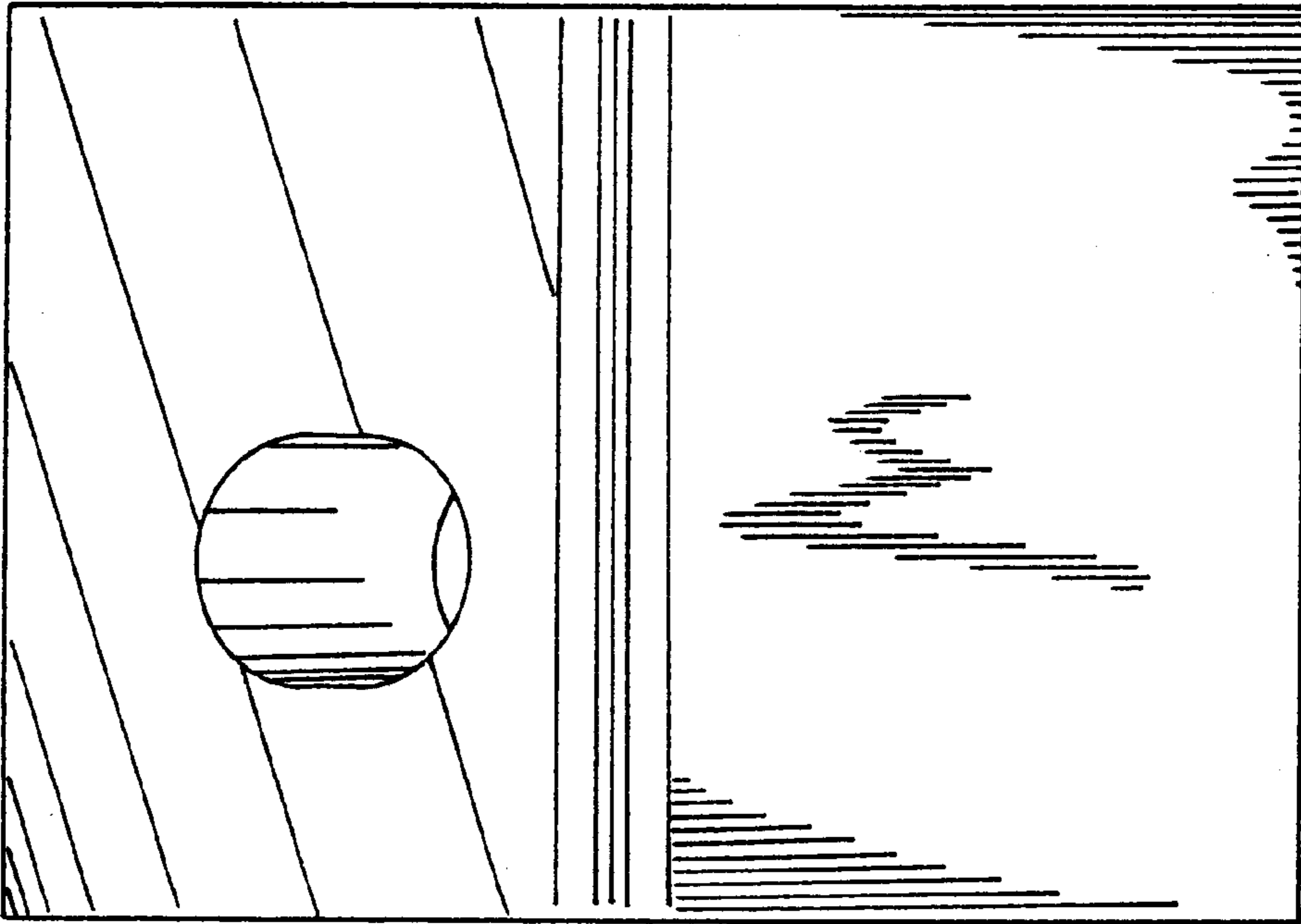


Fig. 3

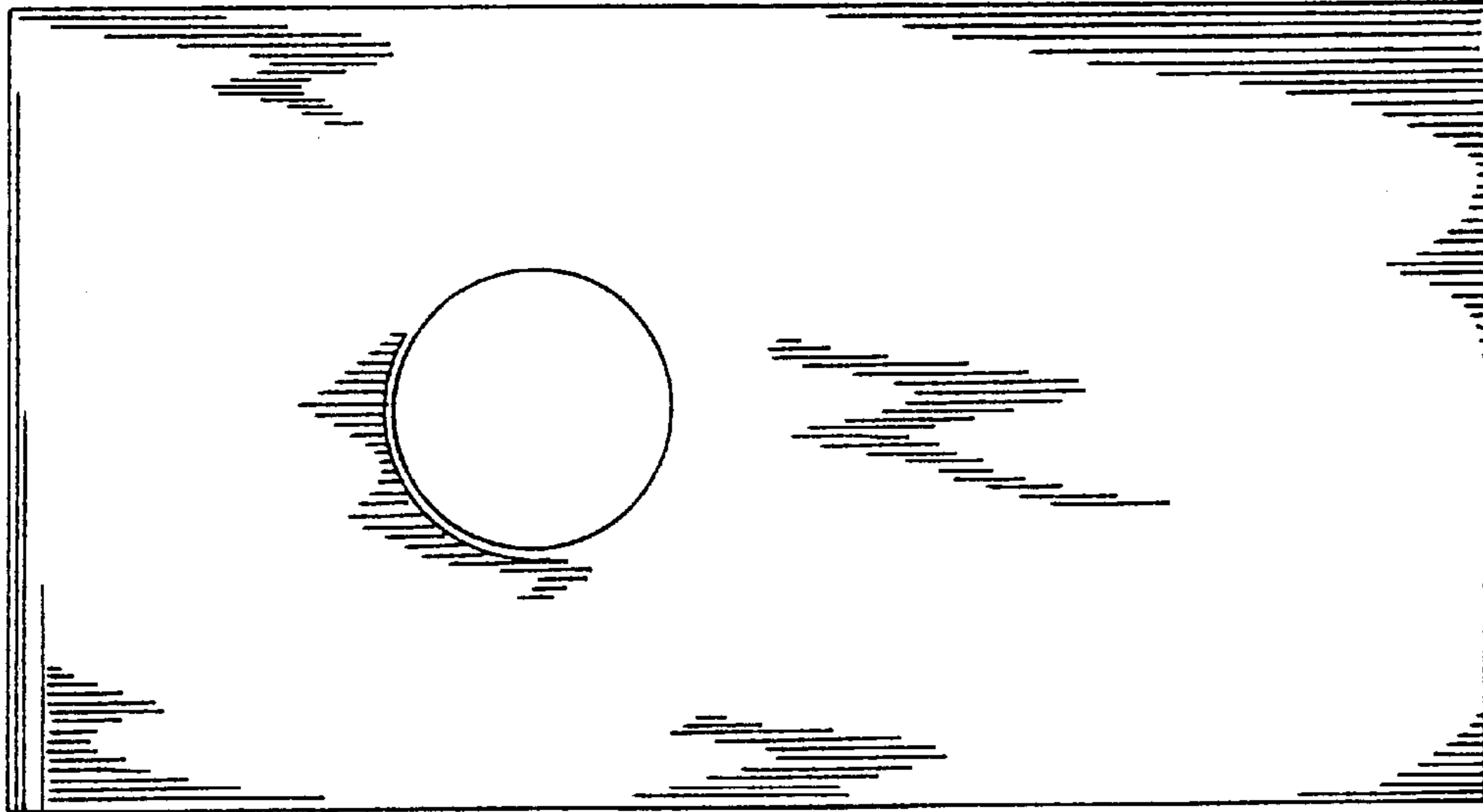


Fig. 5

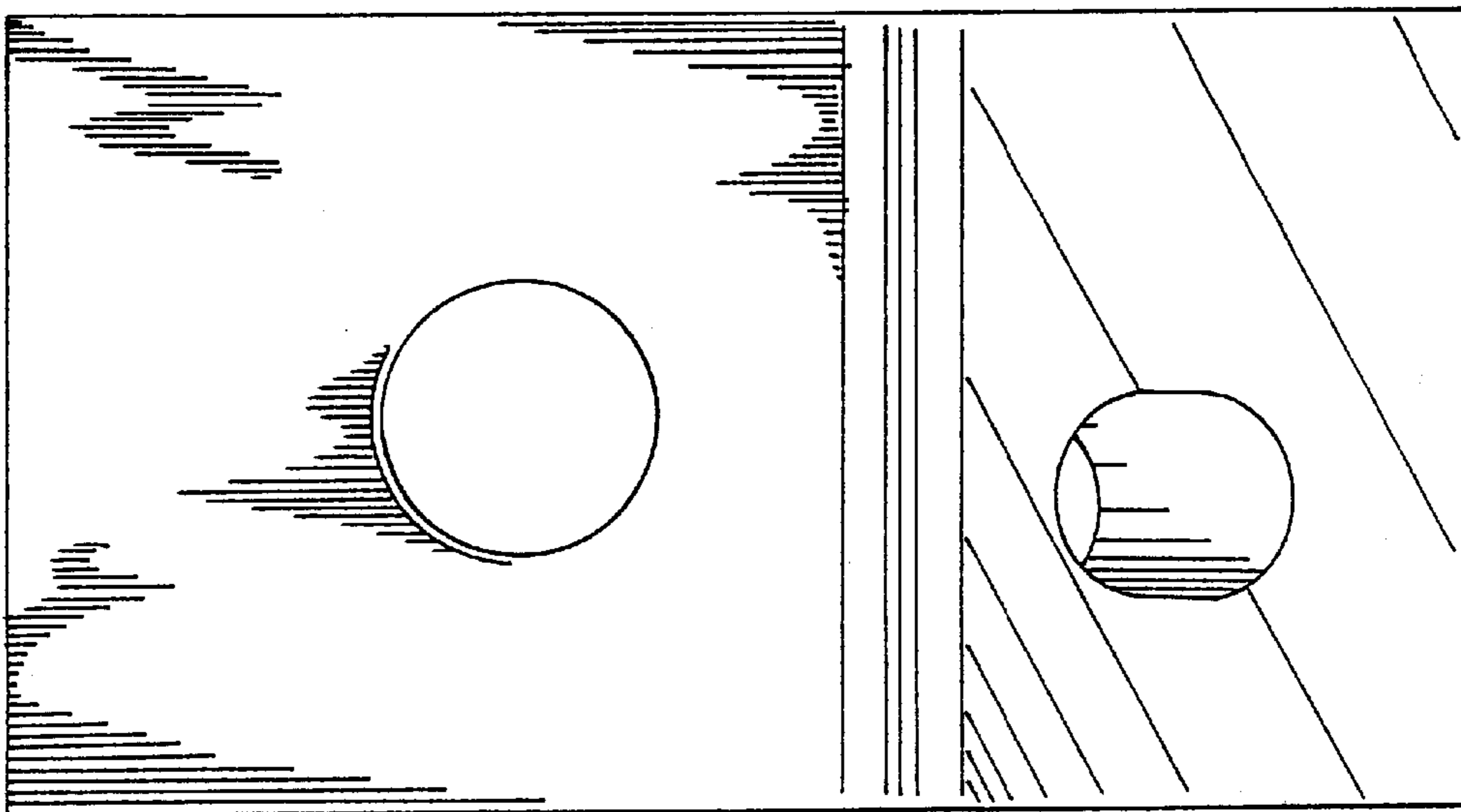


Fig. 4

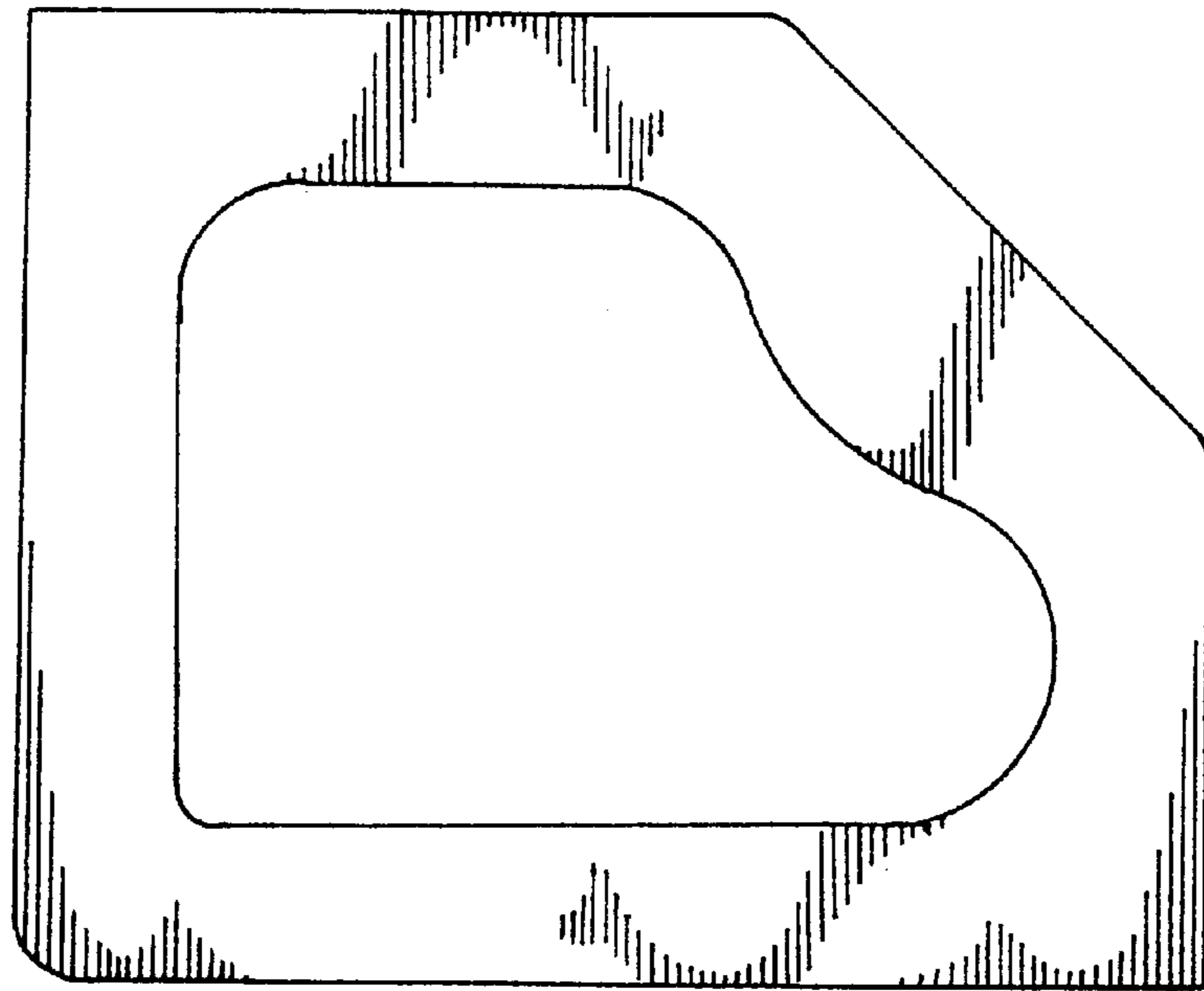


Fig. 6

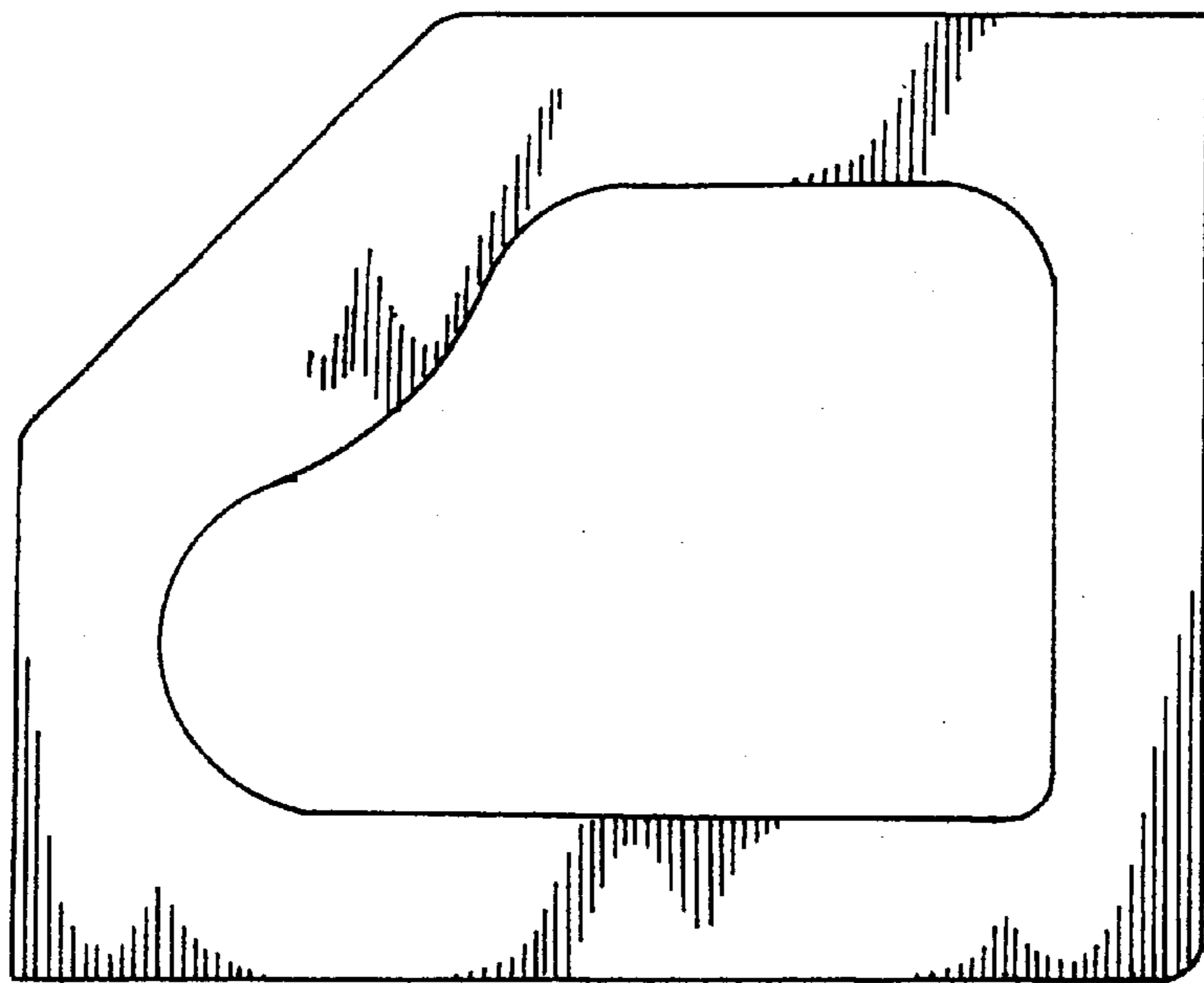


Fig 7