



US00D447044B1

(12) **United States Design Patent**
Proot et al.

(10) **Patent No.:** **US D447,044 S**

(45) **Date of Patent:** **** Aug. 28, 2001**

(54) **LOCK FOR A LUGGAGE CASE**

5,713,226 * 2/1998 Yu 70/69

(75) Inventors: **Bart Proot**, Koekelare; **Clemens Van Himbeek**, Ronse, both of (BE)

* cited by examiner

(73) Assignee: **Samsonite Corporation**, Denver, CO (US)

Primary Examiner—Susan J. Lucas

Assistant Examiner—Jennifer Rivard

(74) *Attorney, Agent, or Firm*—Gregory W. O'Connor

(**) Term: **14 Years**

(57) **CLAIM**

The ornamental design for a lock for a luggage case, as shown and described.

(21) Appl. No.: **29/124,027**

(22) Filed: **May 26, 2000**

DESCRIPTION

(51) **LOC (7) Cl.** **08-07**

FIG. 1 is a perspective view of the lock for a luggage case embodying my new design.

(52) **U.S. Cl.** **D8/341**

FIG. 2 is a front view of the lock shown in FIG. 1.

(58) **Field of Search** D8/330, 331, 339, D8/341; 70/67, 69, 70, 71

FIG. 3 is a left side view thereof.

FIG. 4 is a right side view thereof.

FIG. 5 is a rear view thereof.

FIG. 6 is a bottom view thereof; and,

FIG. 7 is a top view thereof.

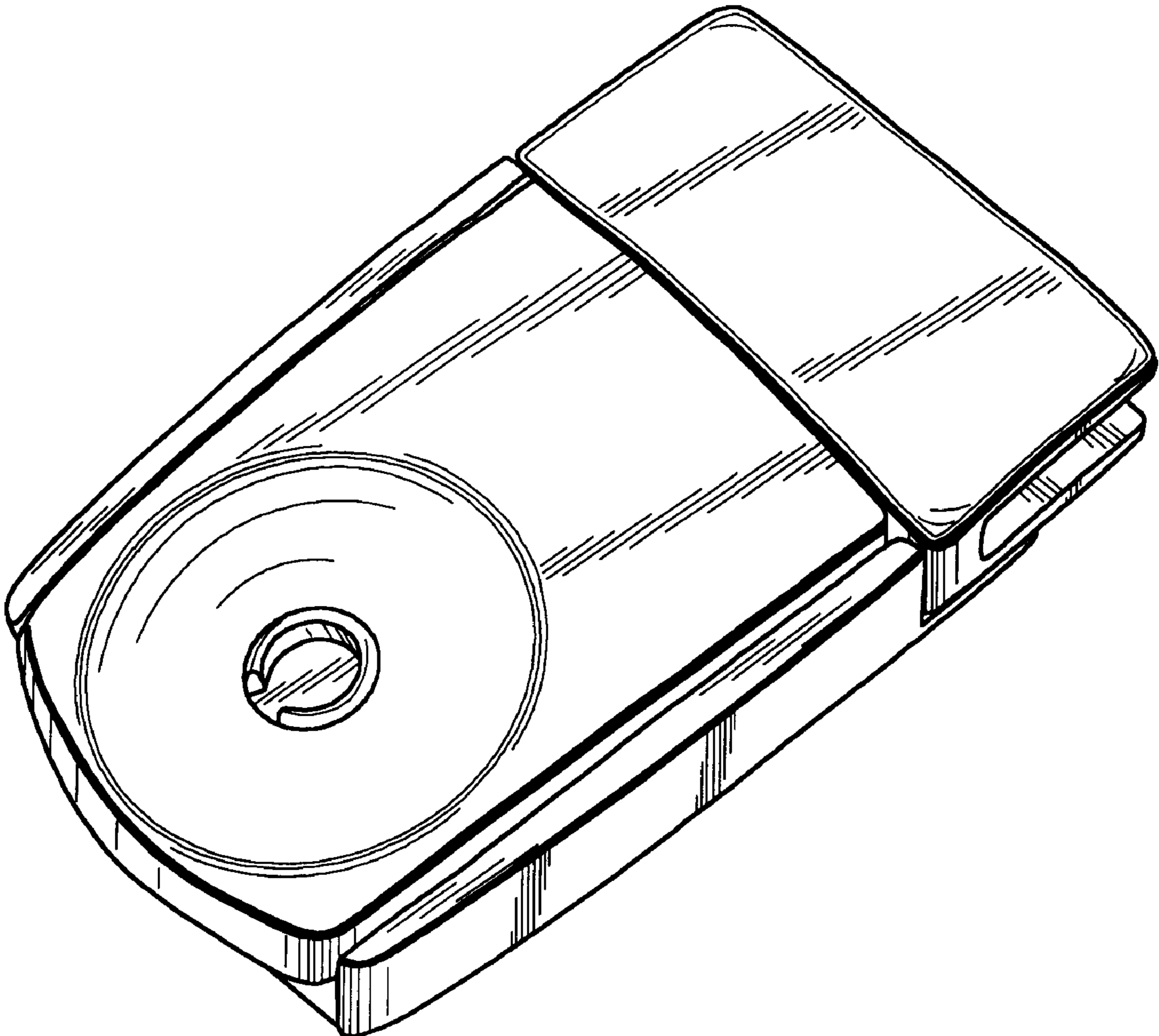
(56) **References Cited**

U.S. PATENT DOCUMENTS

D. 289,006 * 3/1987 Wickman D8/330

D. 345,902 * 4/1994 Kuo D8/330

1 Claim, 3 Drawing Sheets



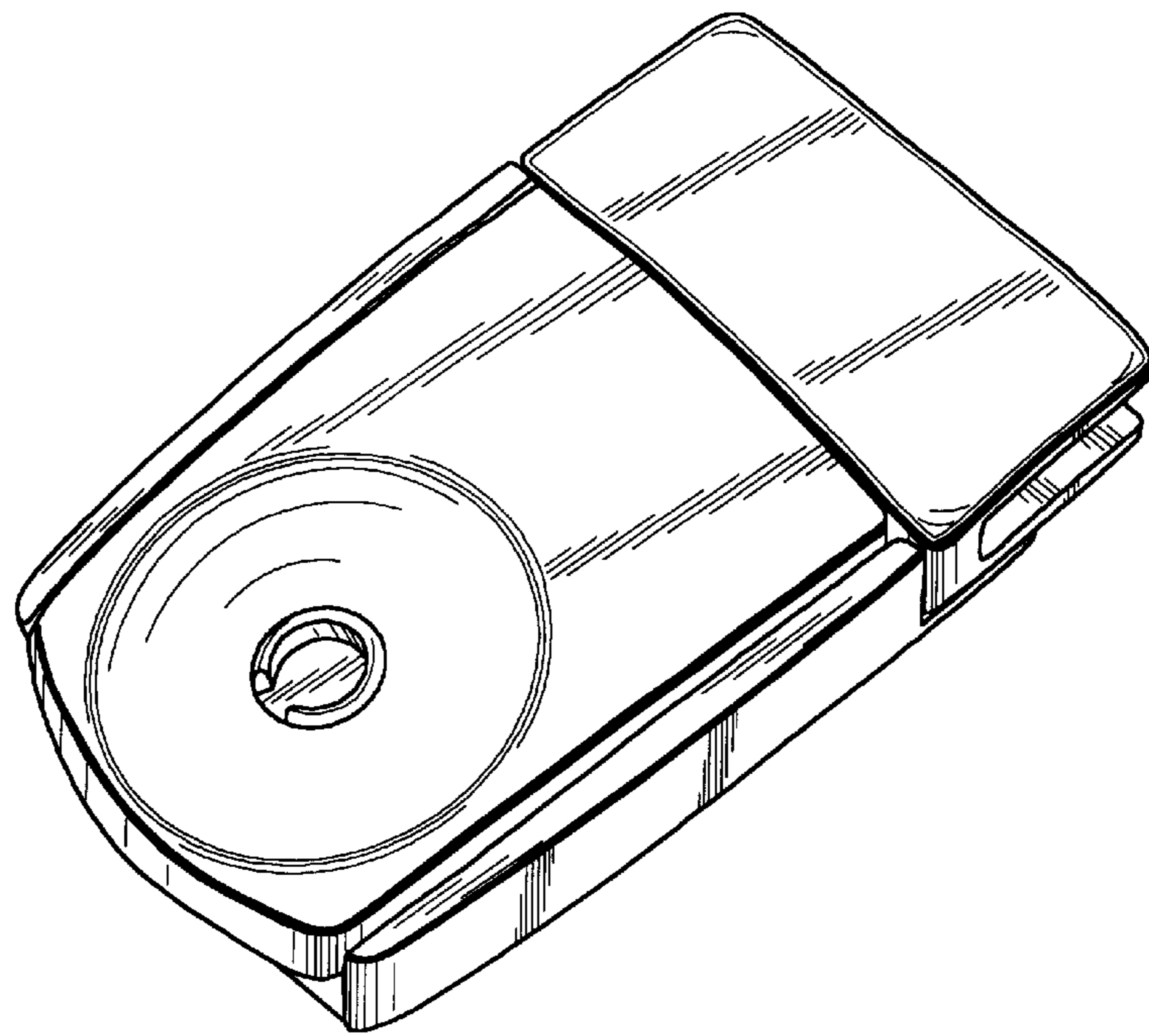


Figure 1

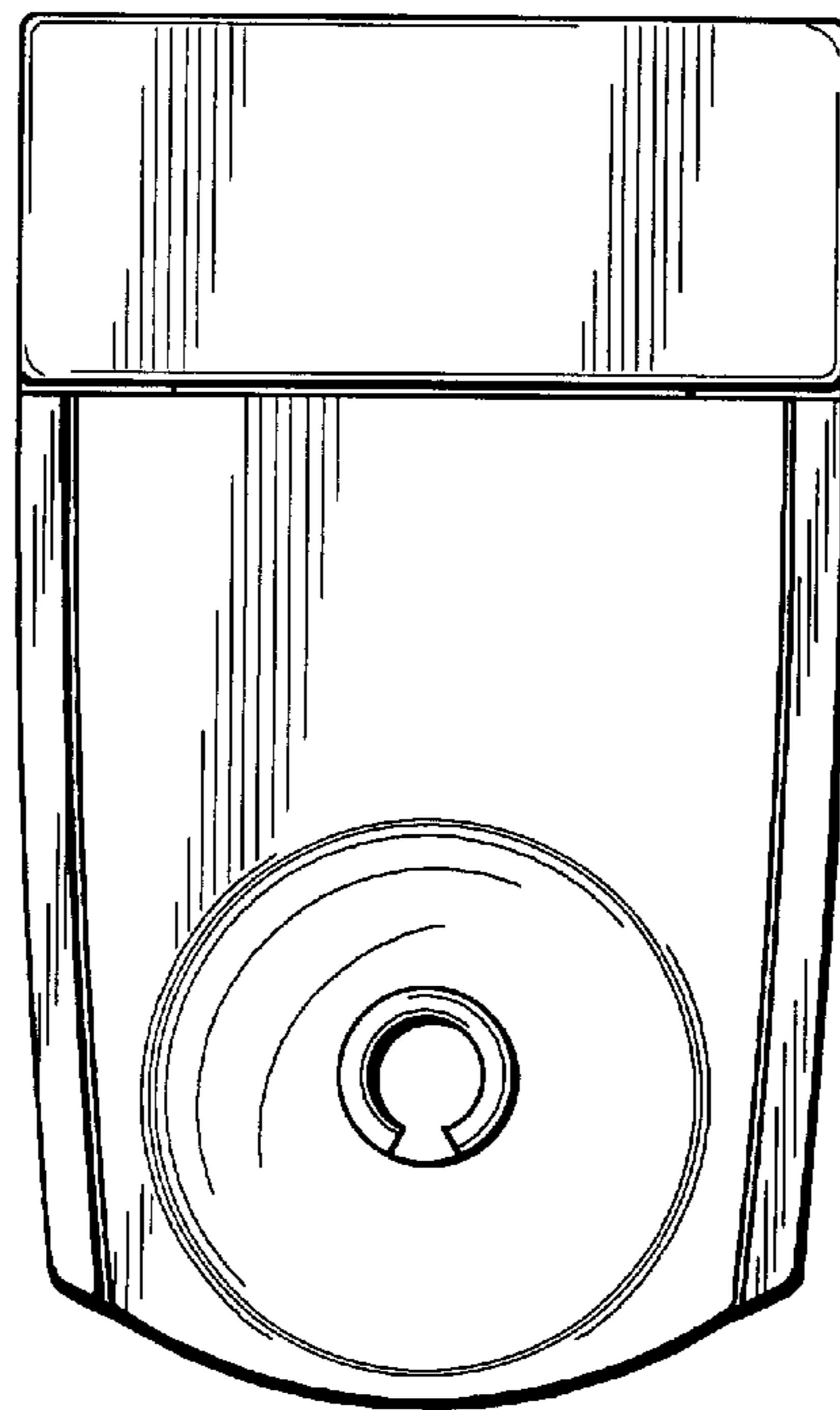


Figure 2



Figure 3

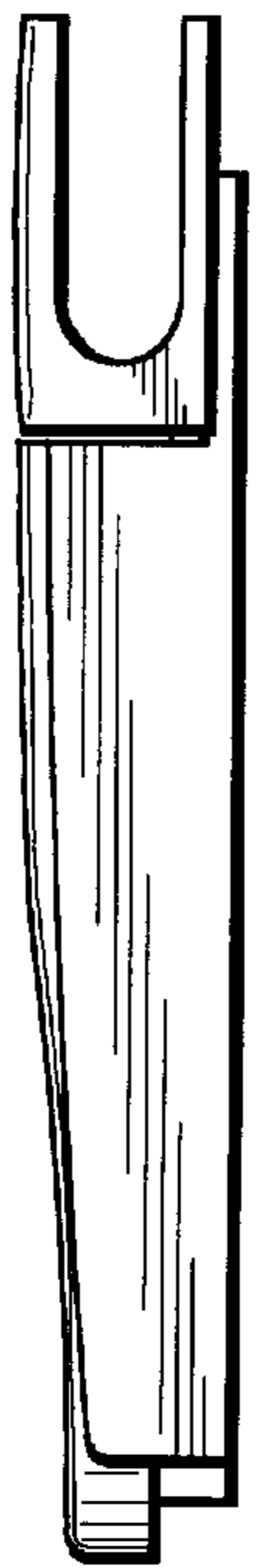


Figure 4

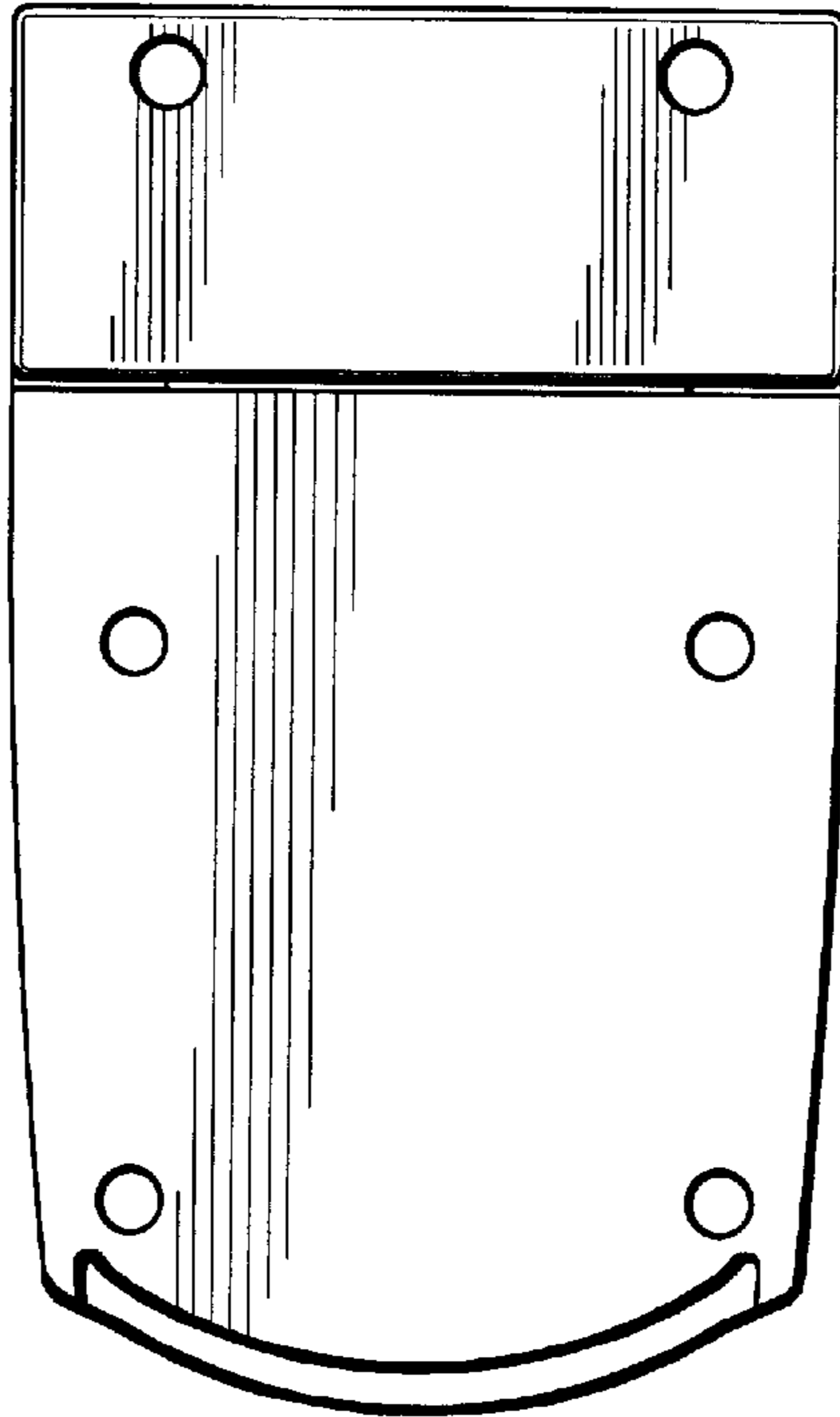


Figure 5

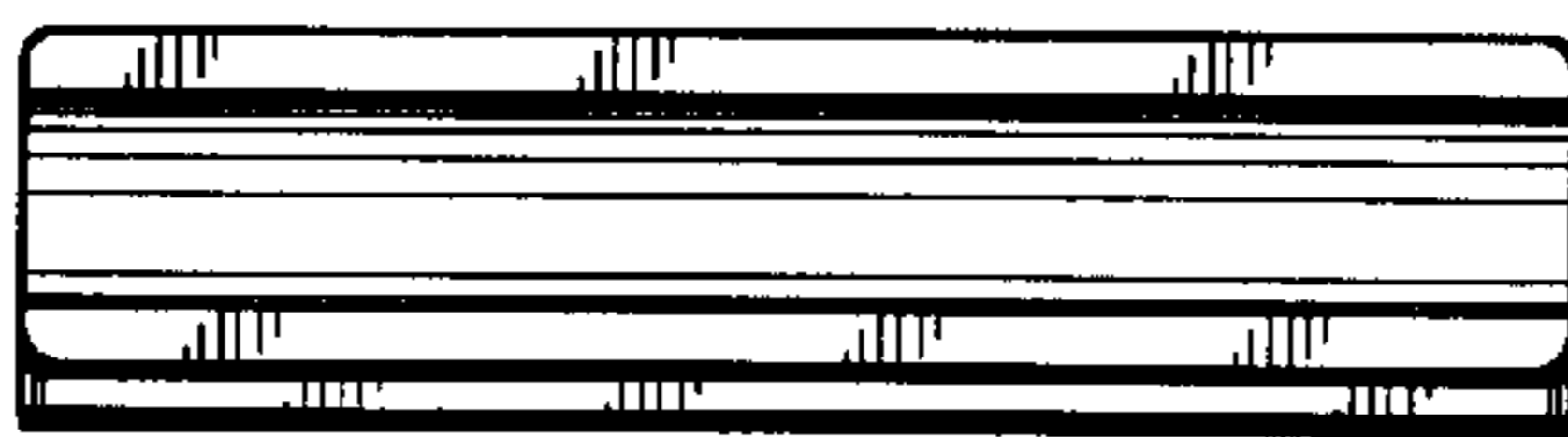


Figure 6

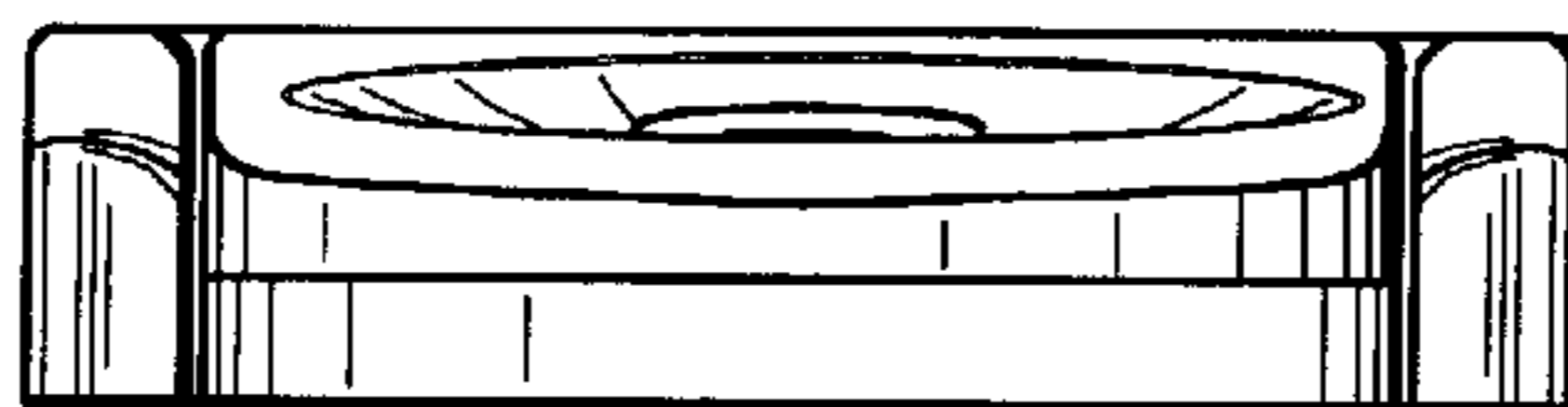


Figure 7