



US00D447043B1

(12) **United States Design Patent**
Wyers

(10) **Patent No.:** **US D447,043 S**

(45) **Date of Patent:** **** *Aug. 28, 2001**

(54) **LOCKING ROD DEVICE**

(76) **Inventor:** **Philip W. Wyers**, 6476 S. Ivy Ct.,
Englewood, CO (US) 80111

(*) **Notice:** This patent is subject to a terminal disclaimer.

(**) **Term:** **14 Years**

(21) **Appl. No.:** **29/073,625**

(22) **Filed:** **Jul. 11, 1997**

(51) **LOC (7) Cl.** **08-07**

(52) **U.S. Cl.** **D8/339**

(58) **Field of Search** D8/330, 331, 339,
D8/336, 341, 343; 292/259 R, 86; 70/181,
91

(56) **References Cited**

U.S. PATENT DOCUMENTS

- D. 214,870 * 8/1969 Malone D8/339
- D. 236,082 * 7/1975 Williams D8/339
- D. 388,686 * 1/1998 Goodwin et al. D8/331

- D. 396,797 * 8/1998 Sernoskie D8/339
- 4,732,019 * 3/1988 Tolar 70/181

* cited by examiner

Primary Examiner—Susan J. Lucas

Assistant Examiner—J Rivard

(74) *Attorney, Agent, or Firm*—Timothy J. Martin; Michael R. Henson; Mark H. Weygandt

(57) **CLAIM**

The ornamental design for a locking rod device, as shown and described.

DESCRIPTION

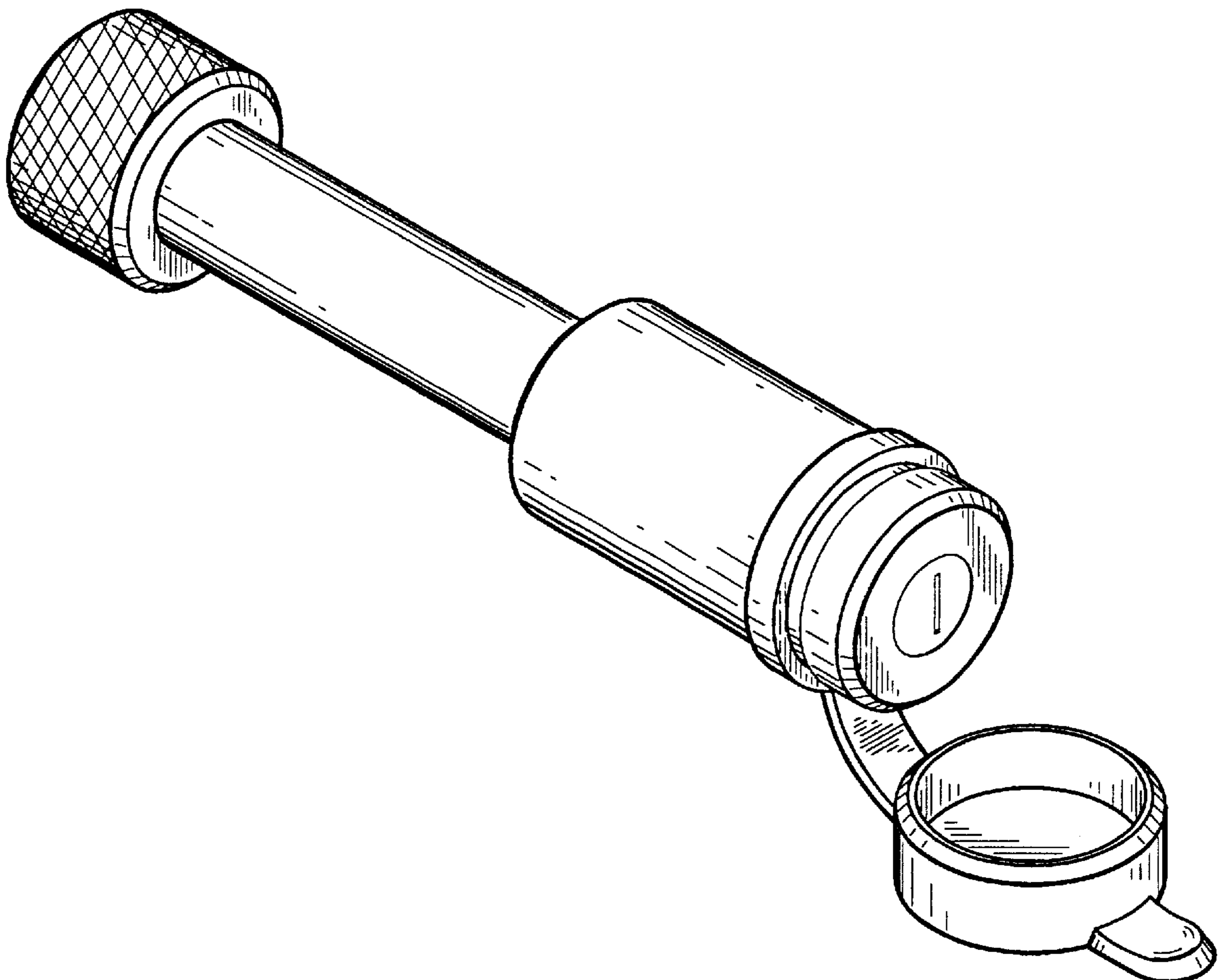
FIG. 1 is a perspective view of the locking rod device with the cap shown in an open position.

FIG. 2 is a side elevation view of FIG. 1 with the cap shown in a closed position. The opposite side elevation view is a mirror image thereof; and,

FIG. 3 is a side elevation view of FIG. 1 with the cap shown in an open position. The opposite side elevation view is a mirror image thereof.

The surface(s) or portion(s) of the article not shown in the drawings or described in the specification form(s) no part of the claimed design.

1 Claim, 2 Drawing Sheets



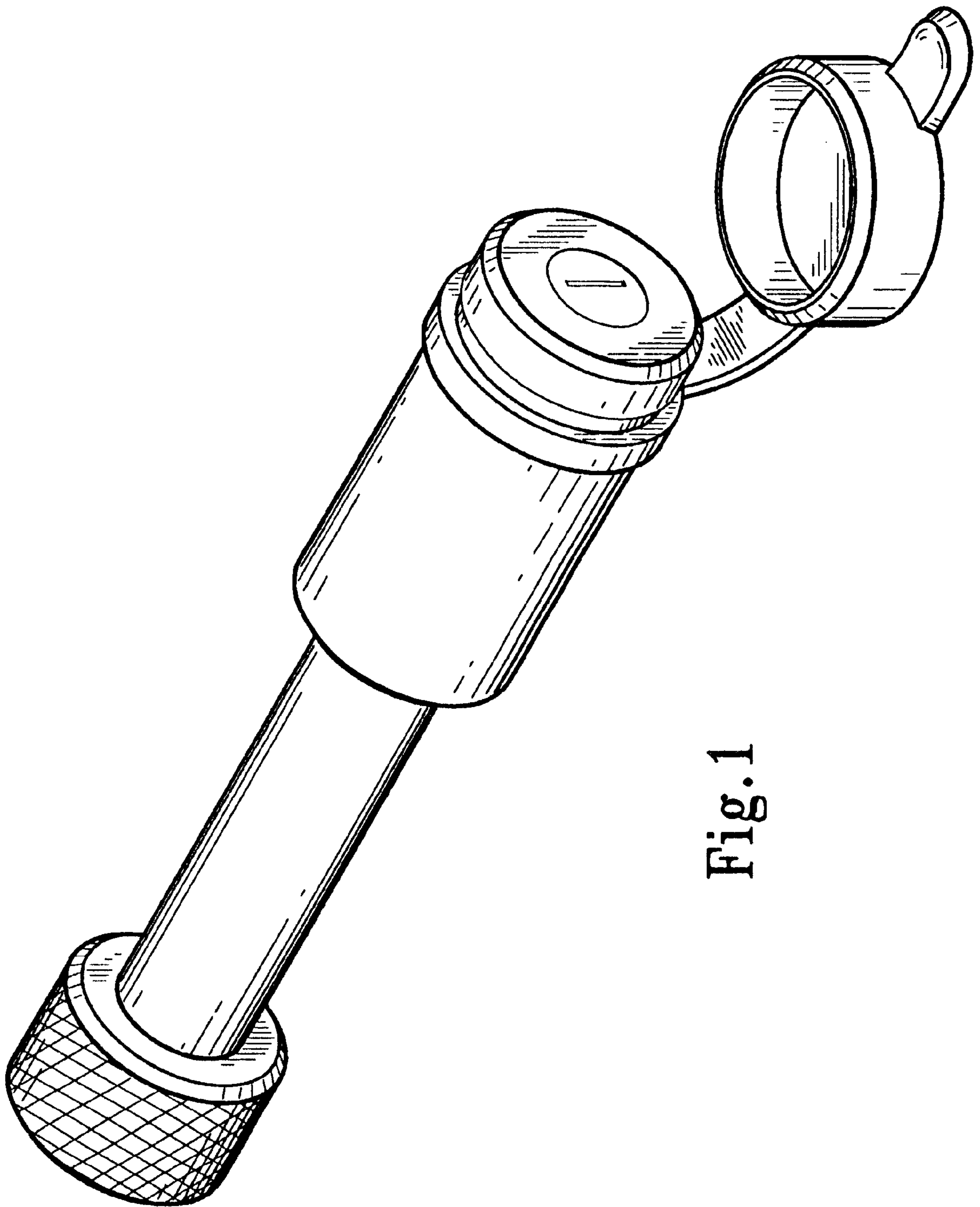


Fig. 1

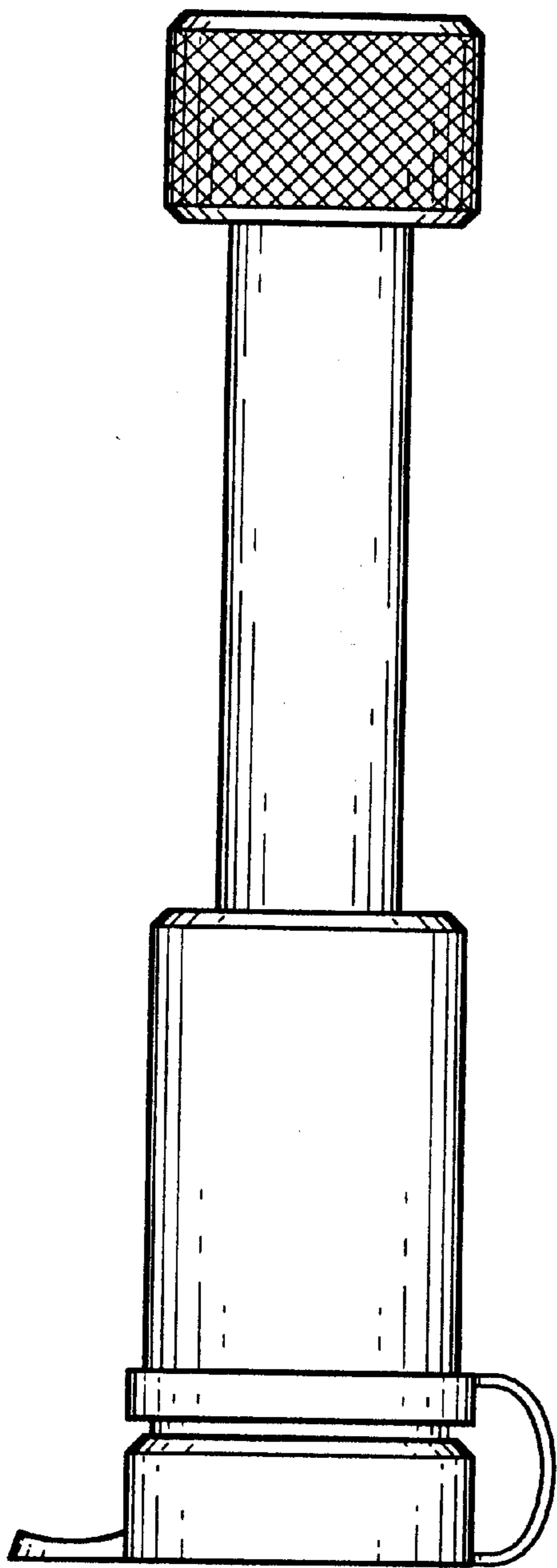


Fig.2

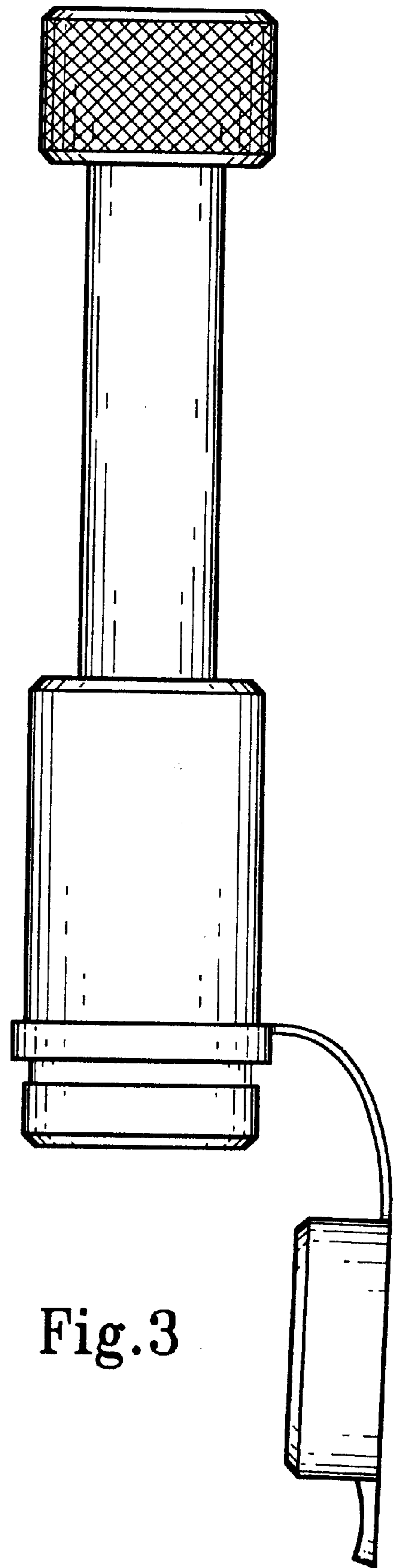


Fig.3