



US00D447042B1

(12) **United States Design Patent**
Weinerman et al.

(10) **Patent No.:** **US D447,042 S**

(45) **Date of Patent:** **** Aug. 28, 2001**

(54) **CLAMP BRACKET ASSEMBLY WITH J-SHAPED LINKAGE ARMS FOR USE WITH PUSH BUTTON LATCH AND LOCK OPERATING ASSEMBLIES**

(75) Inventors: **Lee S. Weinerman**, Medina; **Arthur J. Kuminski**, Parma, both of OH (US)

(73) Assignee: **The Eastern Company**, Cleveland, OH (US)

(**) Term: **14 Years**

(21) Appl. No.: **29/131,819**

(22) Filed: **Oct. 27, 2000**

Related U.S. Application Data

(63) Continuation-in-part of application No. 29/113,063, filed on Oct. 28, 1999.

(51) **LOC (7) Cl.** **08-07**

(52) **U.S. Cl.** **D8/330; D8/343**

(58) **Field of Search** D8/330, 331, 336, D8/343; 292/83, 208, 210, 216, 209, 300, 309, 63, 56; 285/312

(56) **References Cited**

U.S. PATENT DOCUMENTS

D. 313,337	*	1/1991	Haskell	D8/336
D. 324,635		3/1992	Weinerman et al.	D8/331
D. 371,300	*	7/1996	Mordick	D8/343
D. 429,141		8/2000	Antonucci et al.	D8/331
D. 432,389		10/2000	Johansson et al.	D8/331

(List continued on next page.)

OTHER PUBLICATIONS

Eberhard Manufacturing Co, Cleveland, OH "Industrial, Vehicular & Specialty Hardware—Catalog 107," 1996, Cover & pp. 63–69.

Tri/Mark, New Hampton, IA "40–400 Push Button Center Control" 2–page brochure, Dated Jan. 1998.

Tri/Mark, New Hampton, IA "Twelve Figures From Pending Application" Understood to Have Been Filed in 1998.

Primary Examiner—Susan J. Lucas

Assistant Examiner—Jennifer Rivard

(74) *Attorney, Agent, or Firm*—David A. Burge

(57) **CLAIM**

We claim the ornamental design for clamp bracket assembly with J-shaped linkage arms for use with push button latch and lock operating assemblies, as shown and described.

DESCRIPTION

Reference is made to utility application Ser. No. 09/698,416 filed (concurrently herewith) by Lee S. Weinerman et al entitled Push Button Operators for Latches and Locks, and Locking Systems Employing Lockable Push Button Operators, which discloses a lock system that may employ a clamp bracket assembly with J-shaped linkage arms of the type disclosed herein.

FIG. 1 is a perspective view showing principally top and front portions of a clamp bracket assembly with J-shaped linkage arms for use with push button latch and lock operating assemblies embodying our new design;

FIG. 2 is a perspective view showing principally bottom and rear portions thereof;

FIG. 3 is a front view thereof;

FIG. 4 is a rear view thereof;

FIG. 5 is a right side view thereof, it being understood that the left side view is a mirror image reversal of the right side view;

FIG. 6 is a top view thereof;

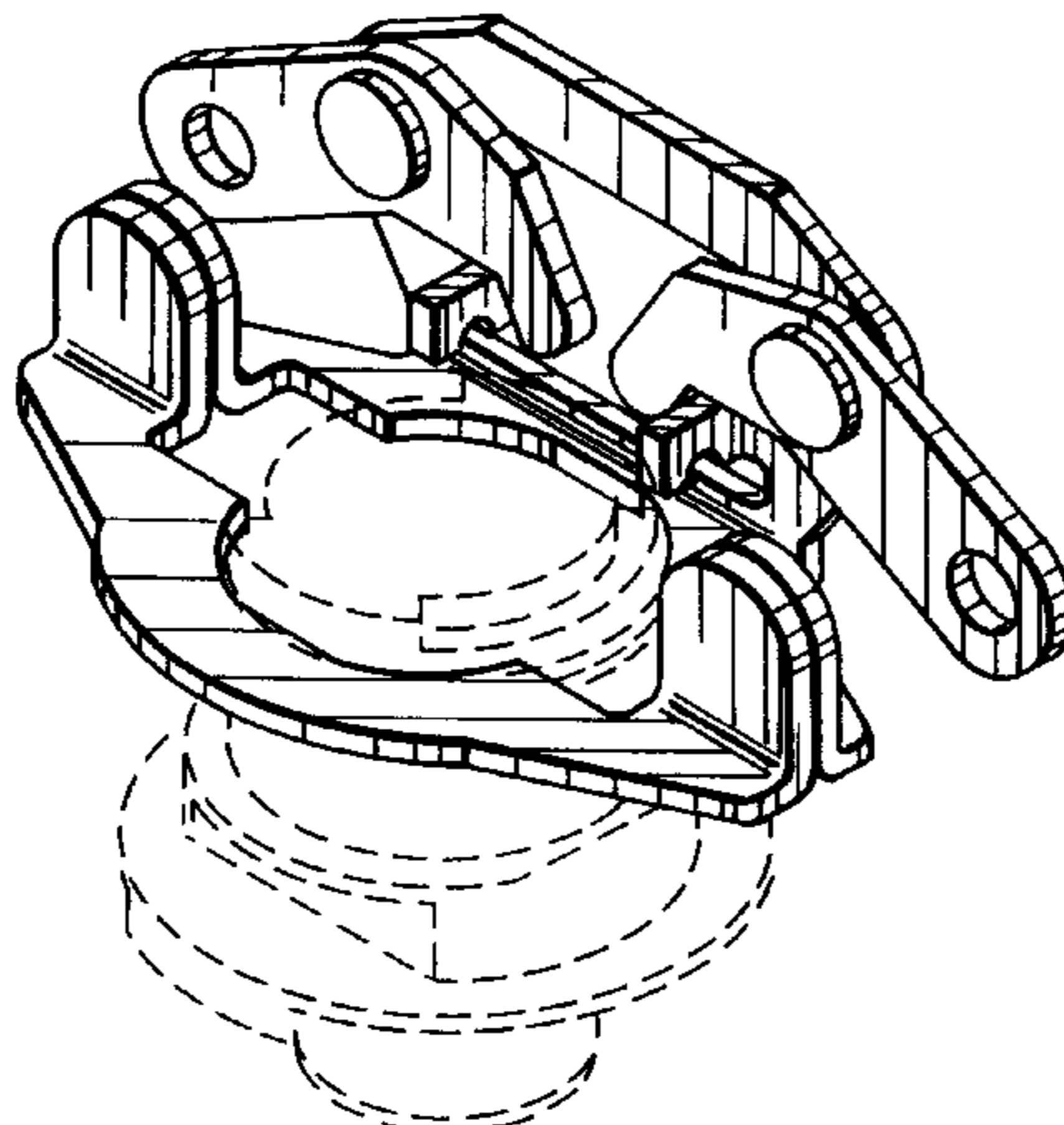
FIG. 7 is a bottom view thereof;

FIG. 8 is a perspective view similar to FIG. 1 but showing the J-shaped arms thereof pivoted; and,

FIG. 9 is a perspective view identical to FIG. 1 but with a push button latch and lock operating assembly depicted in broken lines.

The broken line disclosure of a push button latch and lock operating assembly in FIG. 9 is for illustrative purposes only and forms no part of the design.

1 Claim, 4 Drawing Sheets



US D447,042 S

Page 2

U.S. PATENT DOCUMENTS

1,531,605	3/1925	Gaynor .	4,978,152	12/1990	Bisbing	292/169
1,571,453	2/1926	Maxon .	5,308,126	5/1994	Weger, Jr. et al.	292/53
1,965,939	7/1934	Jacobi	5,346,266	9/1994	Bisbing	292/64
2,705,884	4/1955	Craig	5,439,260	8/1995	Weinerman et al.	292/48
2,728,214	12/1955	Craig	5,564,295	10/1996	Weinerman et al.	70/208
2,772,908	12/1956	Craig	5,586,458	12/1996	Weinerman et al.	70/208
2,987,907	6/1961	Cockburn et al.	5,611,224	3/1997	Weinerman et al.	70/208
3,602,017	8/1971	Bauer	5,782,511 *	7/1998	Schwarz	292/63 X
3,964,280	6/1976	Kelton	5,816,630	10/1998	Bennett et al.	292/341.17
4,059,296 *	11/1977	Panourgias	5,884,948	3/1999	Weinerman et al.	292/216
4,084,417	4/1978	Daniel	6,012,747 *	1/2000	Takamura et al.	292/56 X
4,488,669	12/1984	Waters	6,113,160	9/2000	Johansson et al.	292/169

* cited by examiner

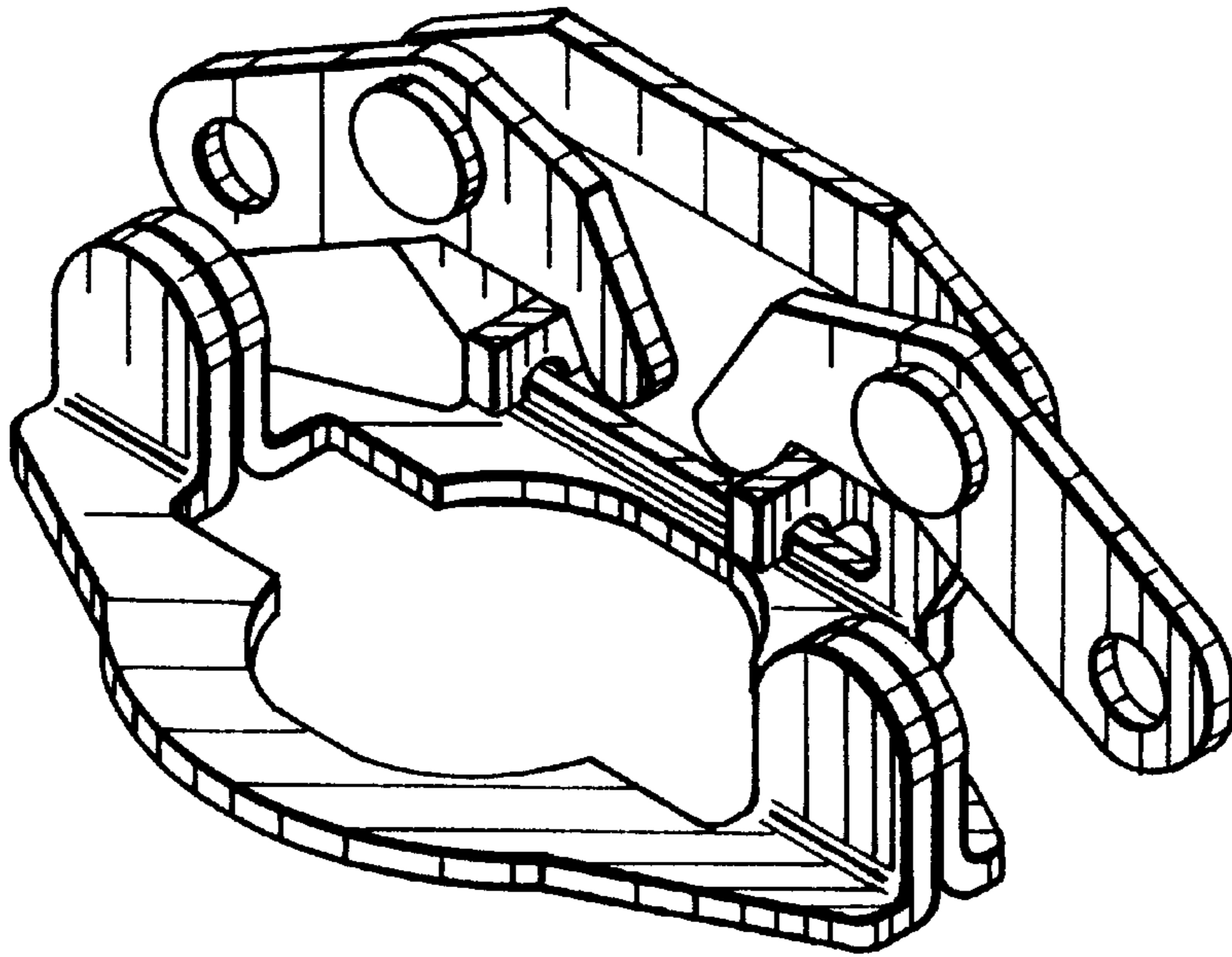


FIG. 1

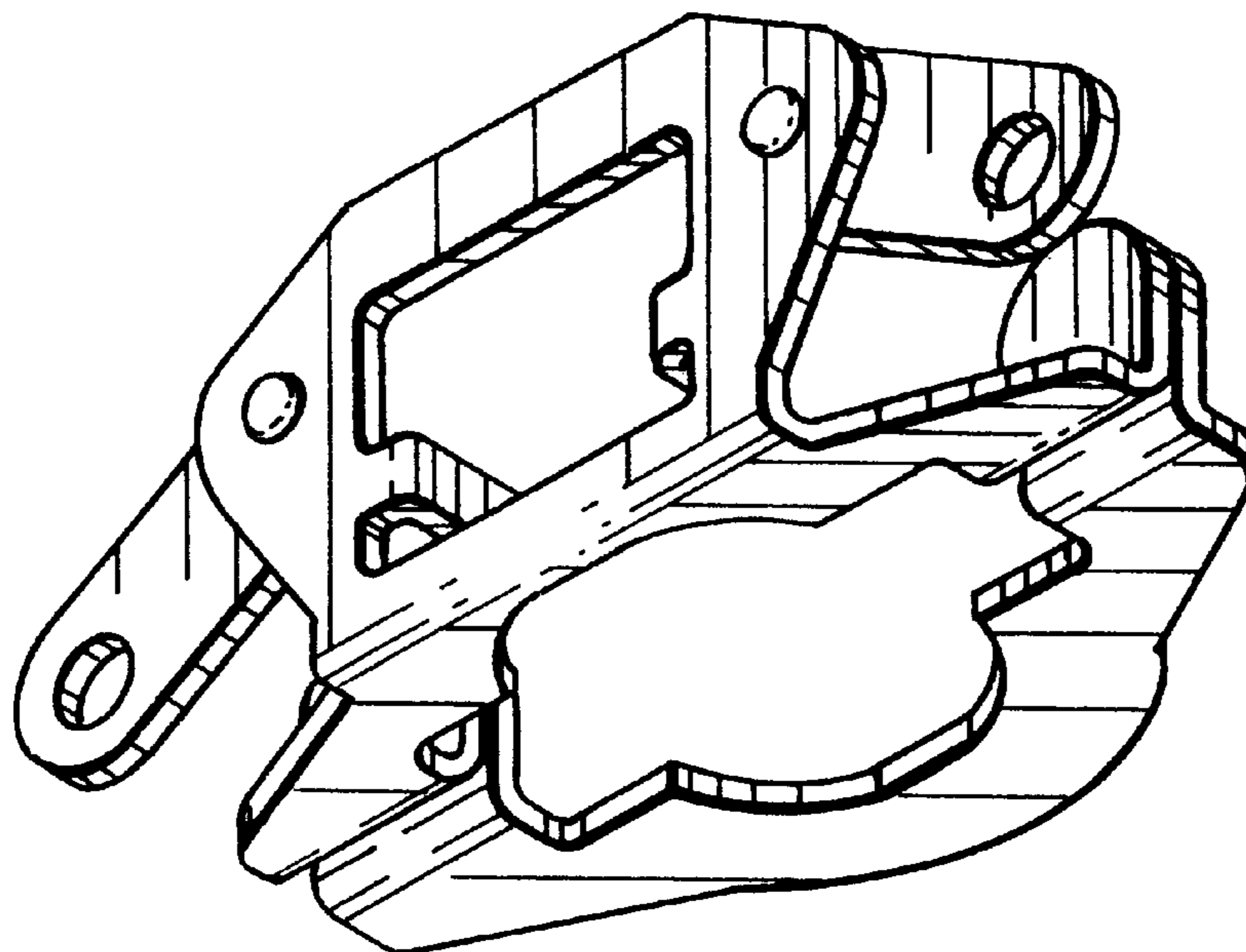


FIG. 2

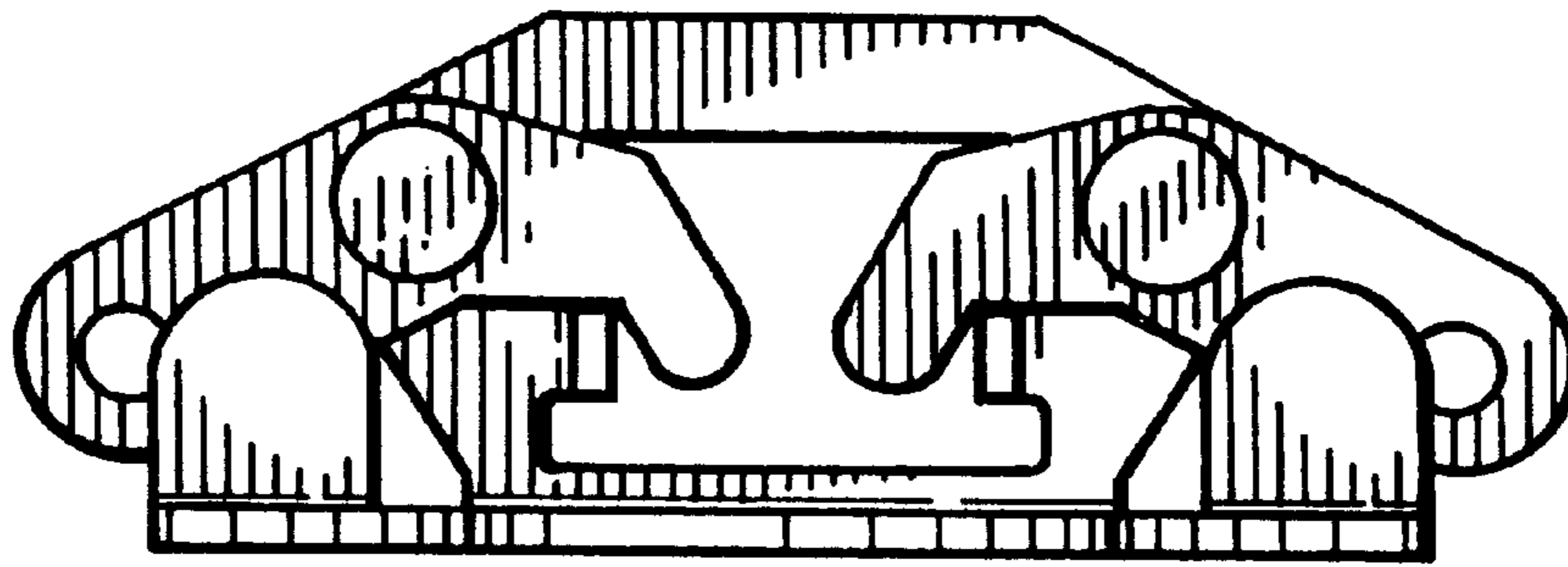


FIG. 3

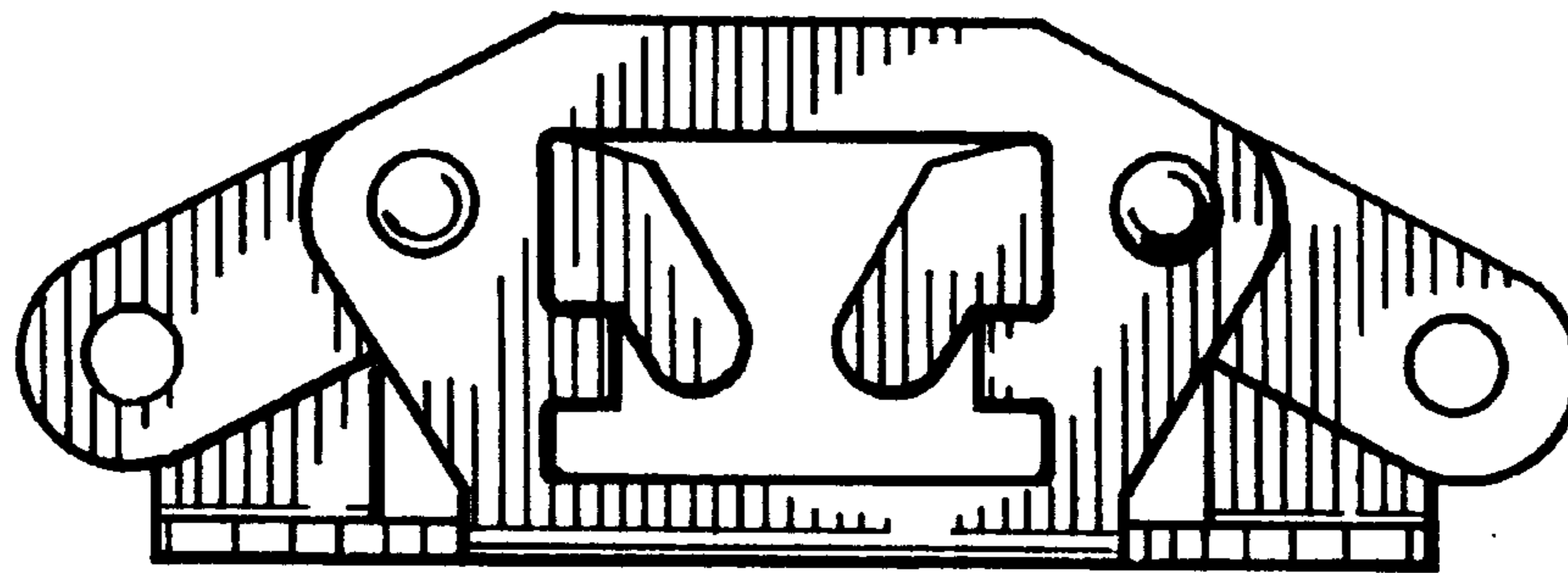


FIG. 4

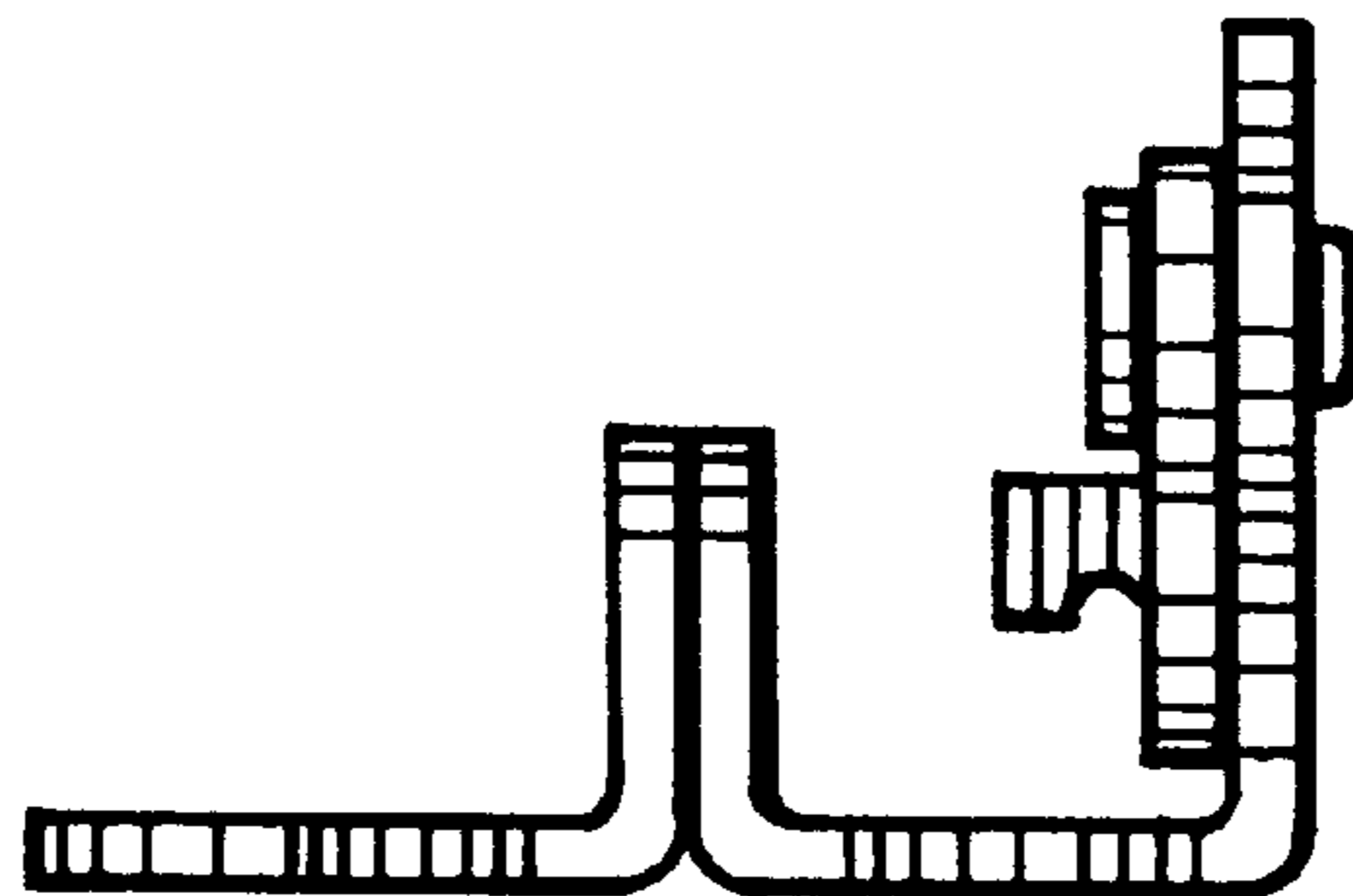


FIG. 5

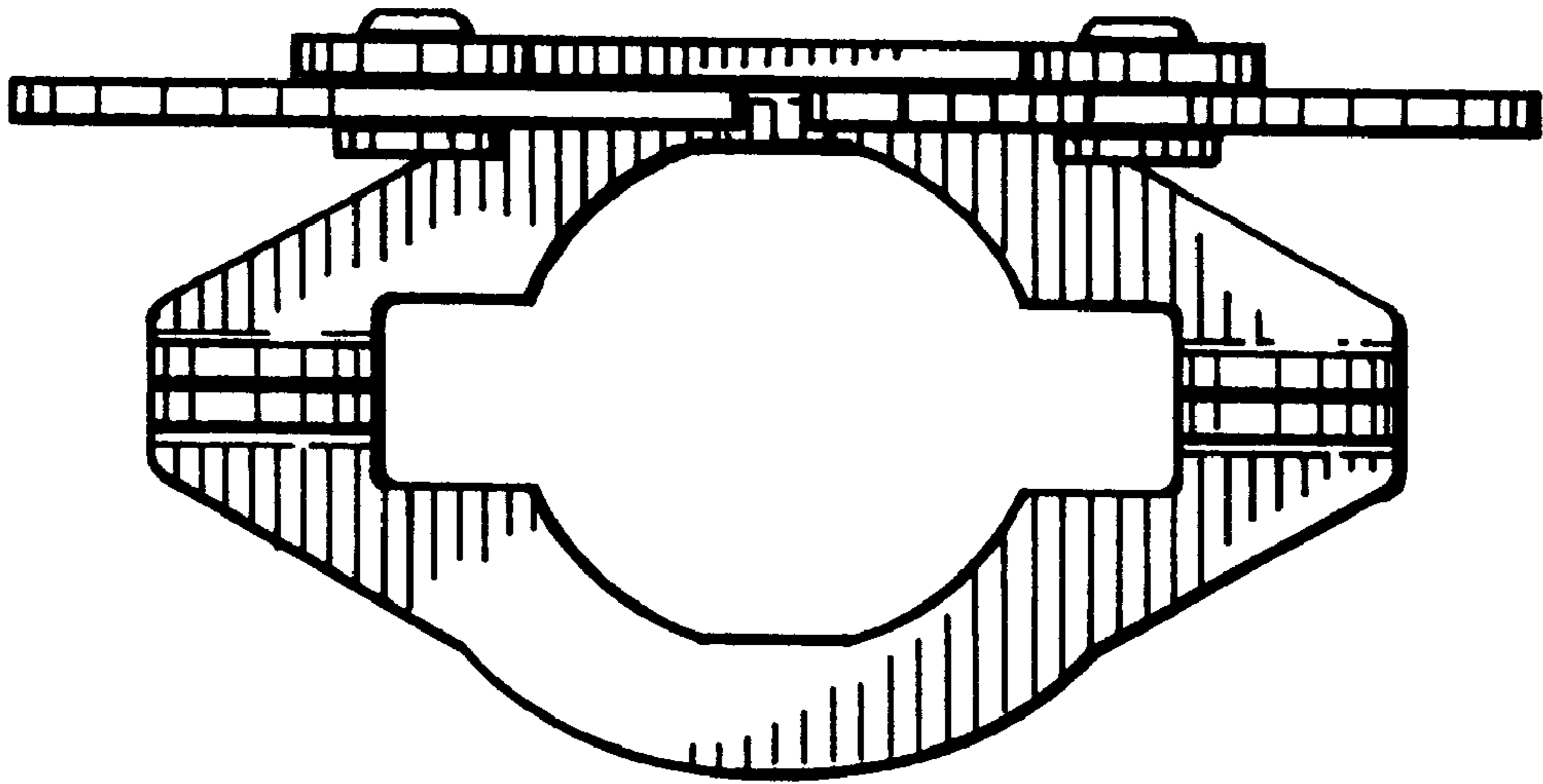


FIG. 6

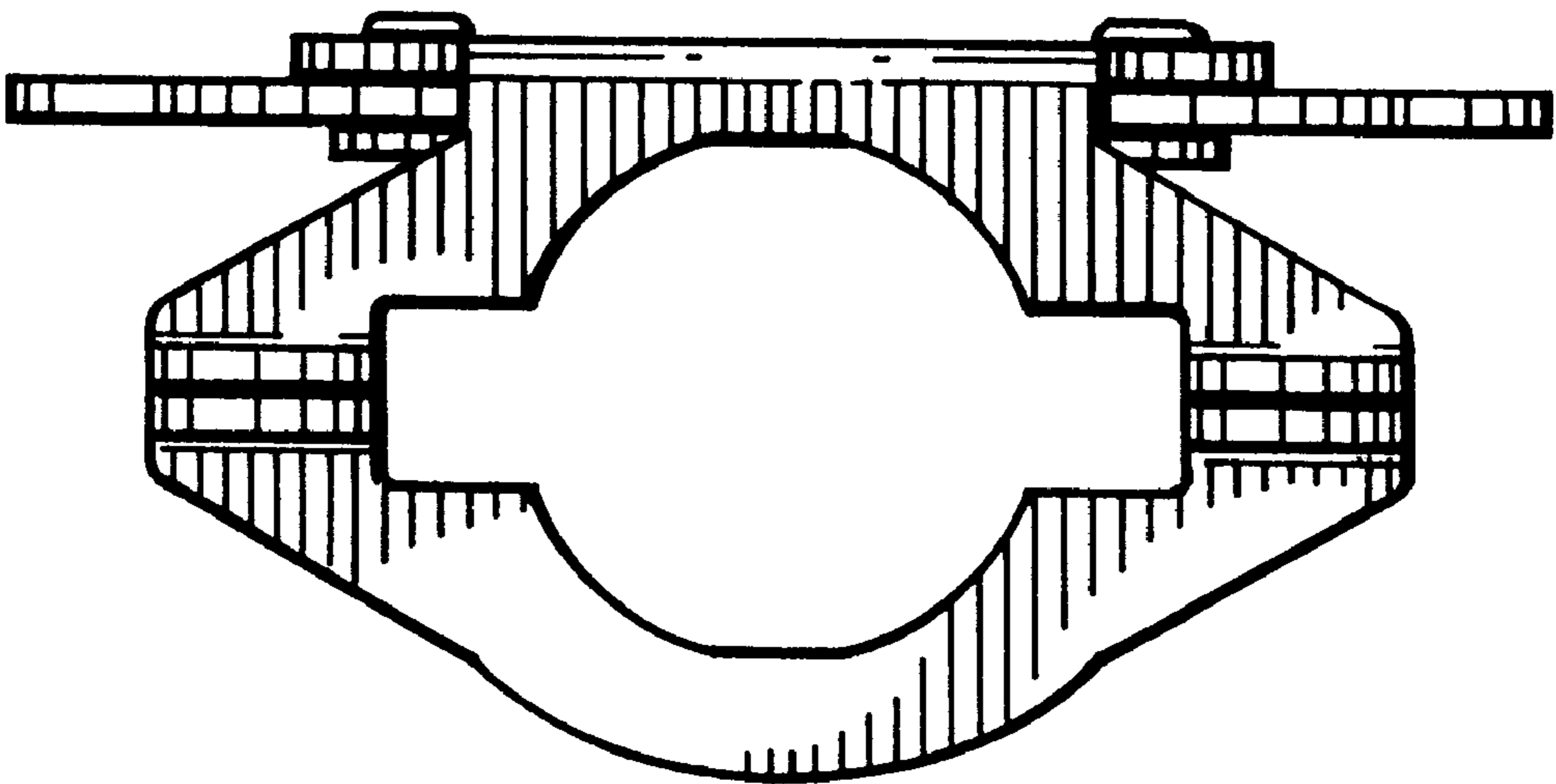


FIG. 7

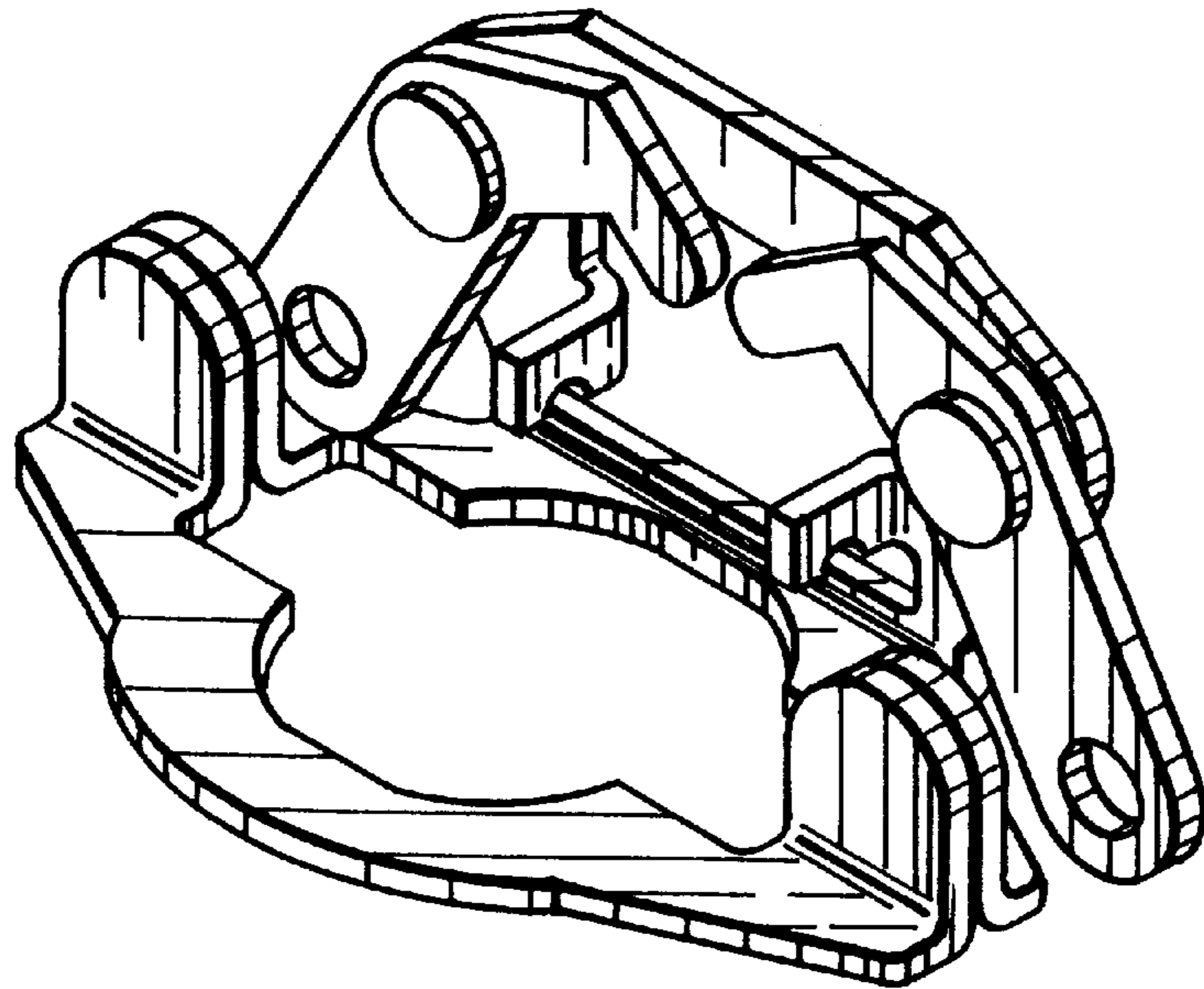


FIG. 8

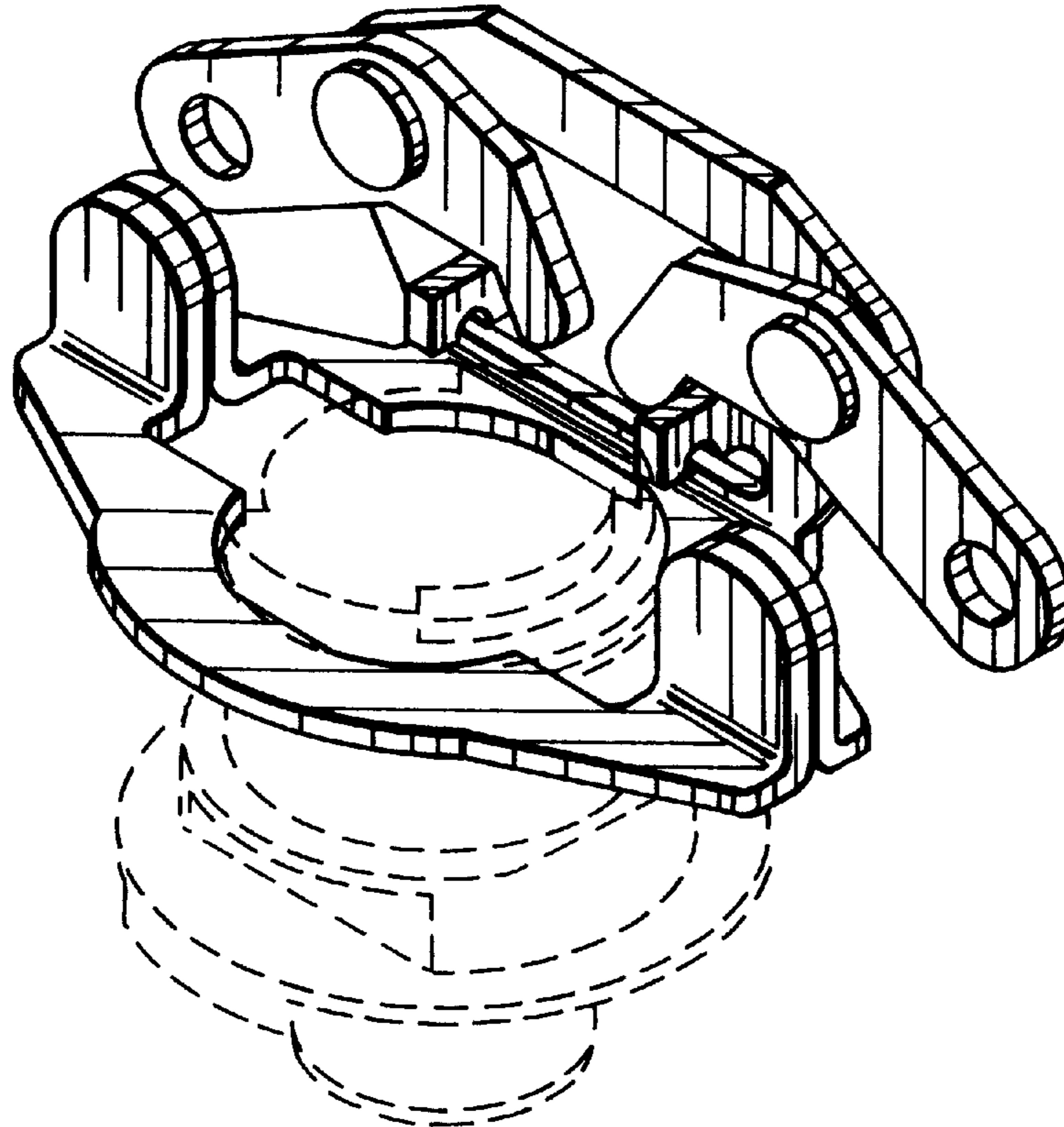


FIG. 9