



US00D447039B1

(12) **United States Design Patent**
Rivera

(10) **Patent No.: US D447,039 S**

(45) **Date of Patent: ** *Aug. 28, 2001**

(54) **FOLDED MULTIPURPOSE TOOL**

(75) **Inventor: Benjamin C. Rivera, West Linn, OR (US)**

(73) **Assignee: Leatherman Tool Group, Inc., Portland, OR (US)**

(*) **Notice:** This patent is subject to a terminal disclaimer.

(**) **Term: 14 Years**

(21) **Appl. No.: 29/132,039**

(22) **Filed: Oct. 31, 2000**

(51) **LOC (7) Cl. 08-05**

(52) **U.S. Cl. D8/105; D8/107**

(58) **Field of Search D8/51, 52, 54, D8/55, 105, 107, 99; 30/34, 143, 153, 155; 7/118, 119, 125, 127, 128, 129, 132, 158, 165, 167, 168; 81/305**

(56) **References Cited**

U.S. PATENT DOCUMENTS

D. 380,362	*	7/1997	Rivera	D8/52
D. 384,872	*	10/1997	Yeh	D8/105
D. 385,169	*	10/1997	Rivera	D8/52
D. 392,519	*	3/1998	Hung	D8/5
D. 398,209		9/1998	Rivera	D8/52
D. 398,213		9/1998	Rivera	D8/105
D. 401,133	*	11/1998	Gardiner et al.	D8/105
D. 414,092	*	9/1999	Chang	D8/55
D. 423,893	*	5/2000	Mackin et al.	D8/52
D. 426,446	*	6/2000	Chau	D8/105

D. 426,447	*	6/2000	Chau	D8/105
D. 429,616	*	8/2000	Rivera	D8/105
5,029,354		7/1991	Boyd, Jr. et al.	7/118
5,537,750		7/1996	Seber et al.	30/161
5,564,318		10/1996	Pail	81/427.5
5,809,599	*	9/1998	Frazer	7/128
6,014,787		1/2000	Rivera	7/128
6,092,444		7/2000	Hsiao	81/440

OTHER PUBLICATIONS

Hong Kong Enterprise Catalog Mar. 1989 p. 12 Item #FE3998.*

* cited by examiner

Primary Examiner—Alan P. Douglas

Assistant Examiner—Clare E. Heflin

(74) *Attorney, Agent, or Firm*—Chernoff, Vilhauer, McClung & Stenzel

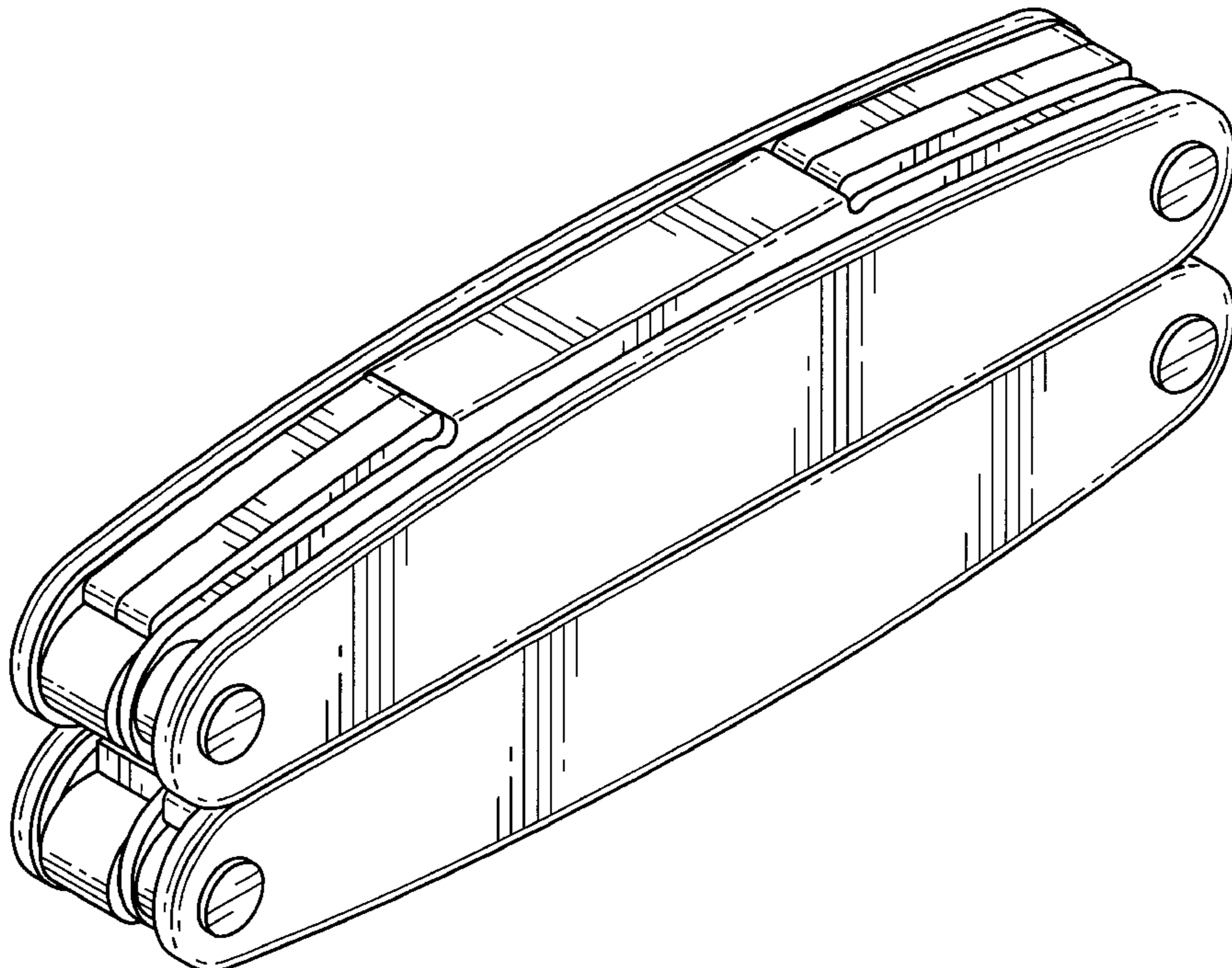
(57) **CLAIM**

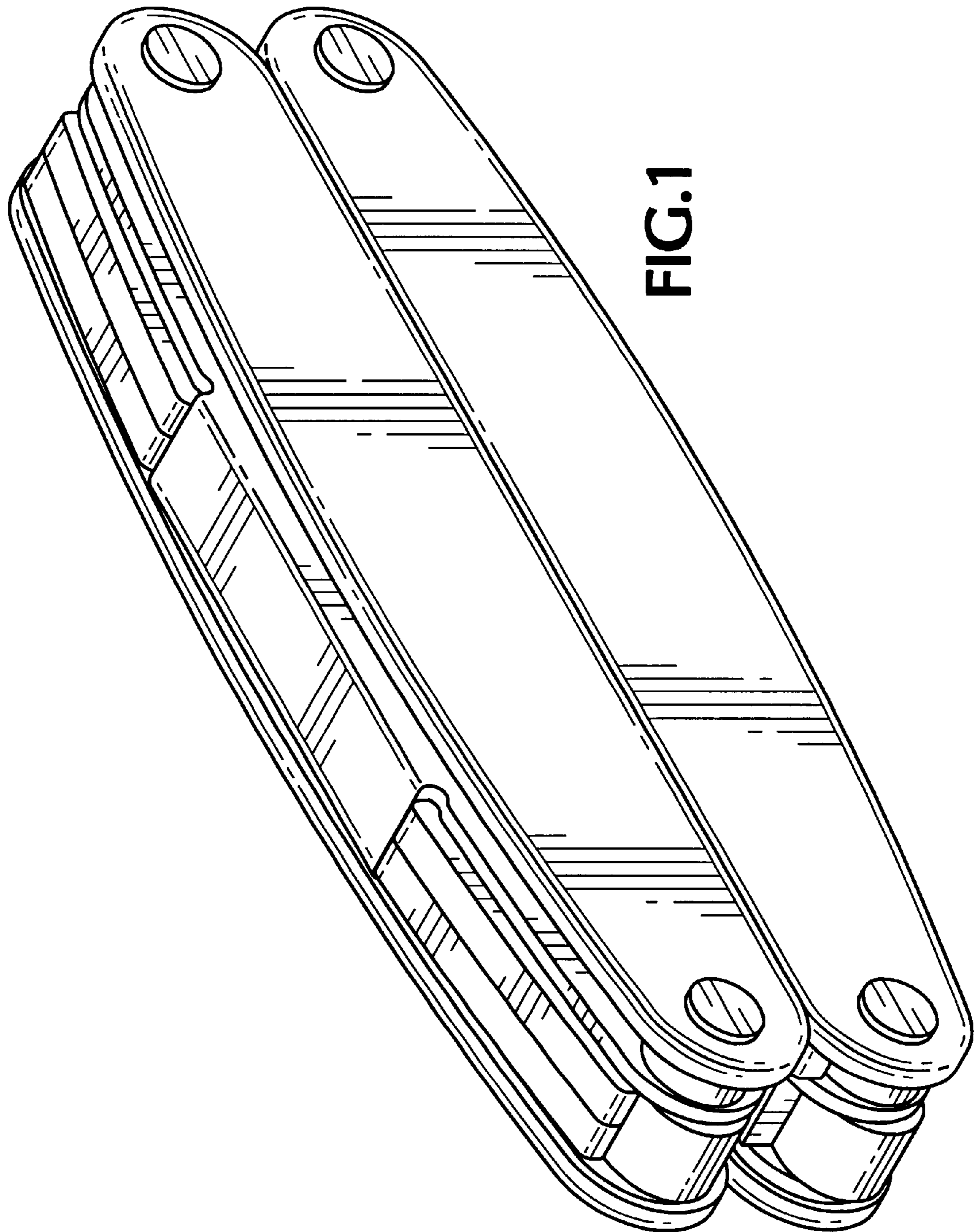
The ornamental design for a folded multipurpose tool, as shown and described.

DESCRIPTION

FIG. 1 is an isometric view from the upper left end of a folded multipurpose tool, showing my new design;
FIG. 2 is a side elevational view thereof, the opposite side elevational view being identical with FIG. 2;
FIG. 3 is a top plan view thereof, the bottom plan view thereof being a mirror image of FIG. 3;
FIG. 4 is a left end elevational view thereof; and,
FIG. 5 is a right end elevational view thereof.

1 Claim, 2 Drawing Sheets





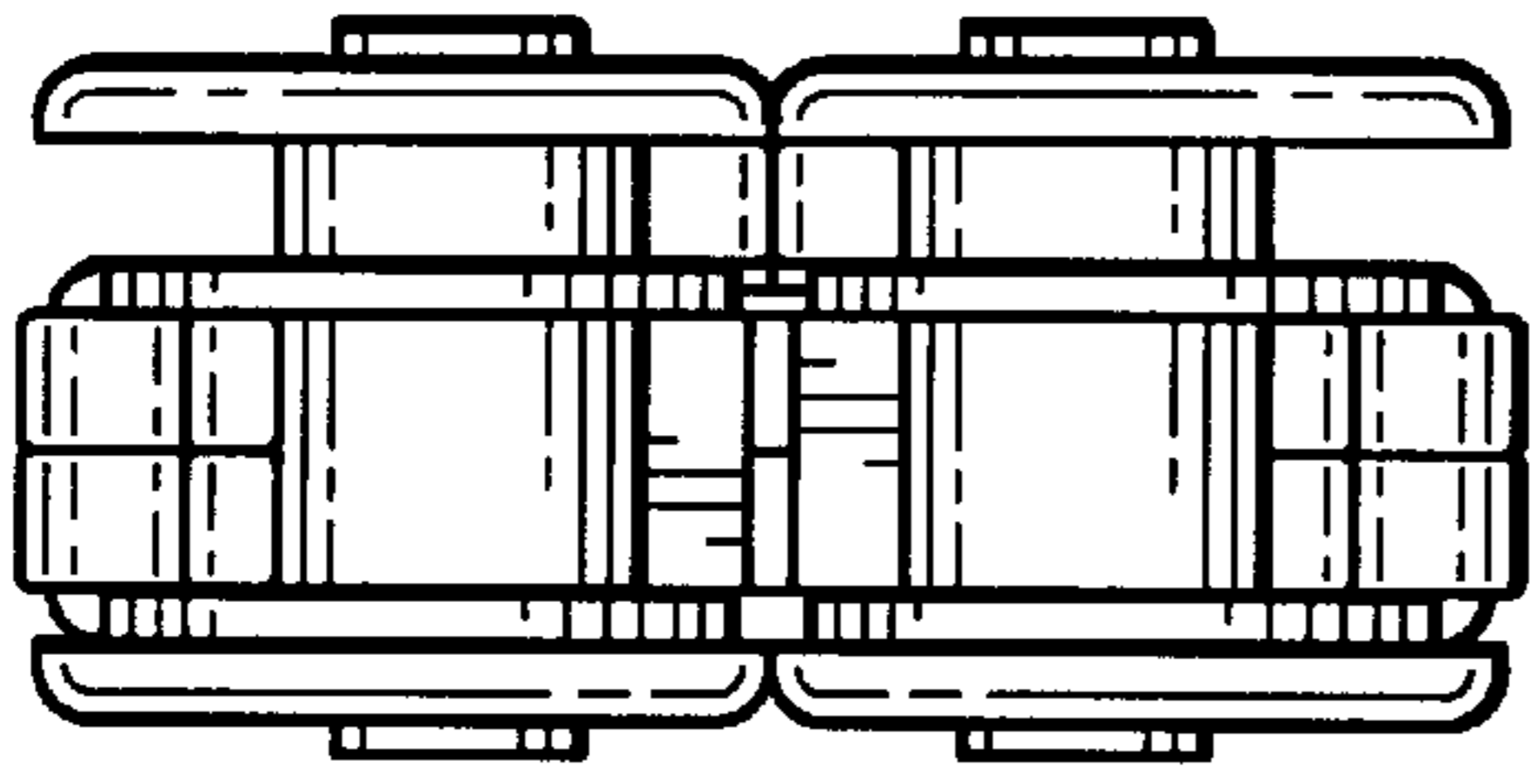


FIG. 4

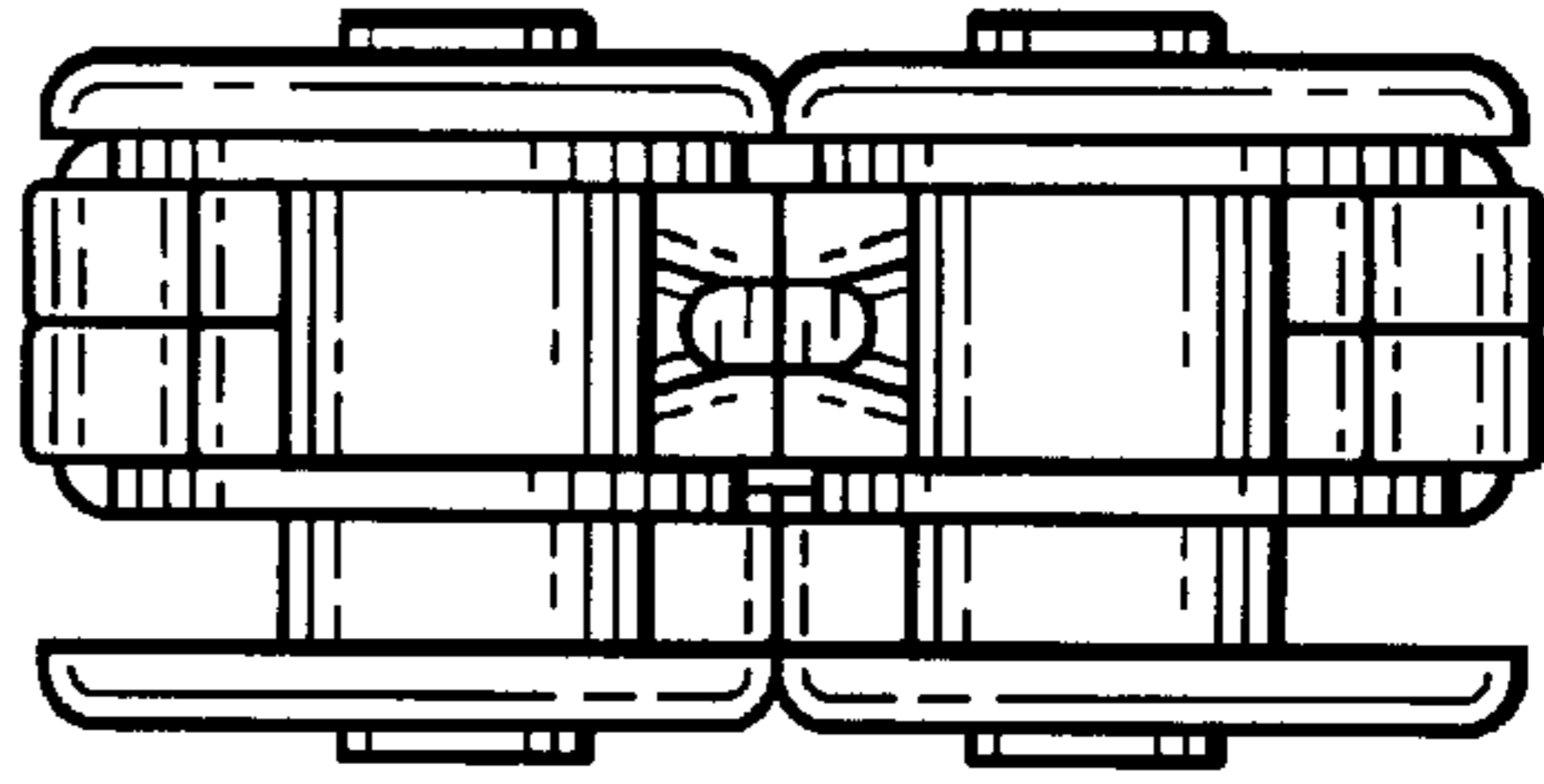


FIG. 5

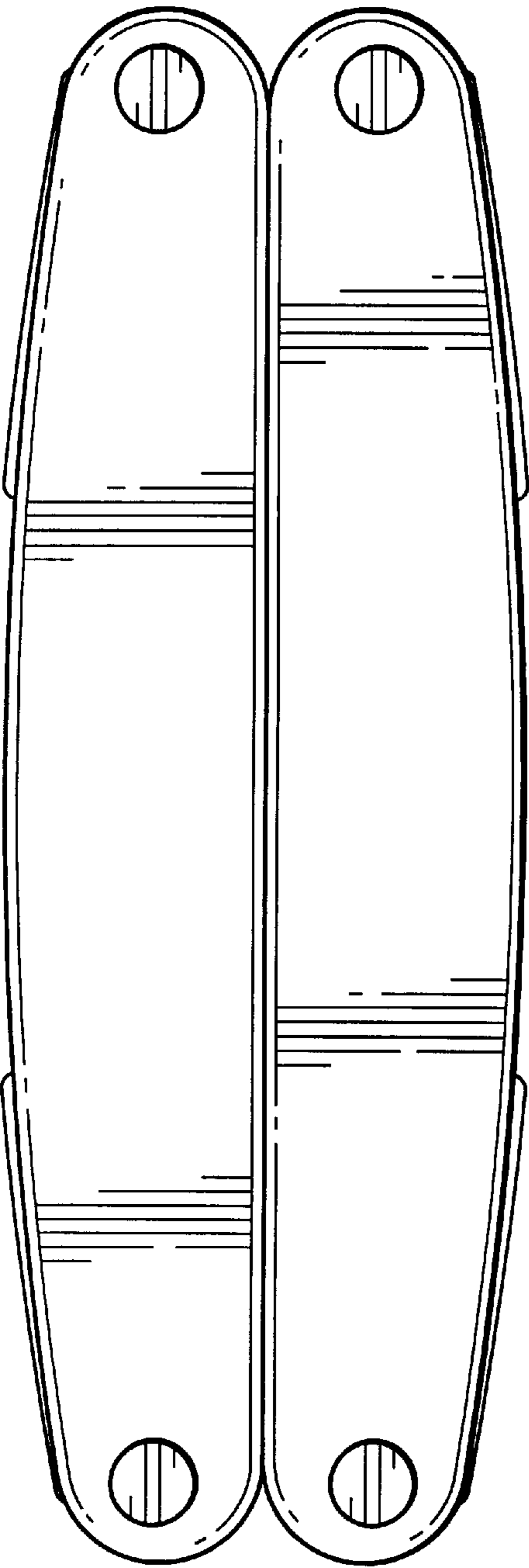


FIG. 2

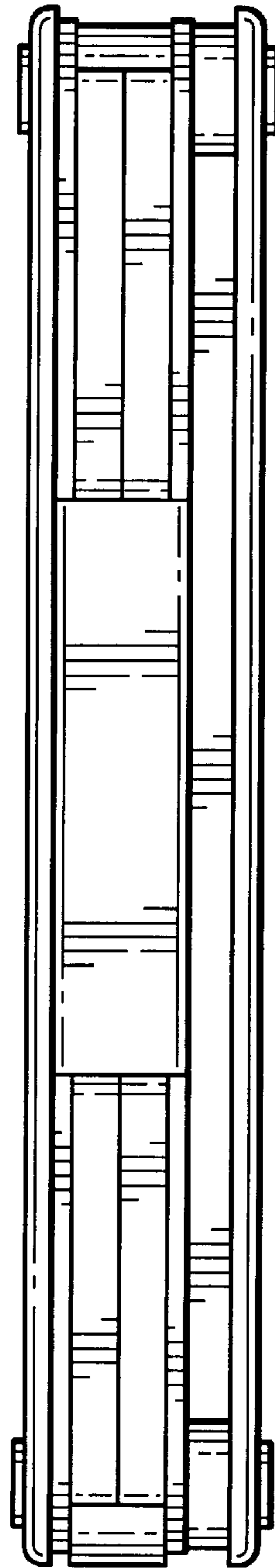


FIG. 3