



US00D447038B1

(12) **United States Design Patent**  
**Netzler**

(10) **Patent No.:** **US D447,038 S**

(45) **Date of Patent:** **\*\* Aug. 28, 2001**

- (54) **SANDER HEAD**
- (75) Inventor: **Sion Netzler**, Durham (GB)
- (73) Assignee: **Black & Decker Inc.**, Newark, DE (US)
- (\*\*) Term: **14 Years**
- (21) Appl. No.: **29/131,186**
- (22) Filed: **Oct. 16, 2000**
- (51) **LOC (7) Cl.** ..... **08-01**
- (52) **U.S. Cl.** ..... **D8/70; D8/62**
- (58) **Field of Search** ..... D8/61-70; 81/57.11, 81/54, 57.42; 173/170, 217, 169, 216, 213, 164, 163; 451/357-359, 344, 356; 310/50; 30/376, 392-394

5,319,889	*	6/1994	Rudolf et al.	.....	451/359
5,398,454	*	3/1995	Berner	.....	451/357
5,558,569	*	9/1996	Lee	.....	451/356
5,626,510	*	5/1997	Bergner et al.	.....	451/357
5,709,595	*	1/1998	Bergner et al.	.....	451/356
5,743,791	*	4/1998	Bosten et al.	.....	451/356
5,967,886	*	10/1999	Wuensch et al.	.....	451/356
6,153,838	*	11/2000	Wadge	.....	310/50 X
6,170,579	*	1/2001	Wadge	.....	173/216
6,176,322	*	1/2001	Wadge	.....	173/217
6,181,032	*	1/2001	Marshall et al.	.....	307/150
6,206,107	*	3/2001	Wadge	.....	173/217

\* cited by examiner

*Primary Examiner*—Jeffrey Asch

(74) *Attorney, Agent, or Firm*—Bruce S. Shapiro

(57) **CLAIM**

The ornamental design for a sander head, as shown and described.

(56) **References Cited**

**U.S. PATENT DOCUMENTS**

D. 244,744	*	6/1977	Bunyea	.....	D8/8
D. 374,386	*	10/1996	Bosten et al.	.....	D8/62
D. 404,273	*	1/1999	Somers	.....	D8/62
D. 413,242	*	8/1999	Robson	.....	D8/62
D. 413,245	*	8/1999	Robson	.....	D8/70
D. 420,267	*	2/2000	Robson	.....	D8/61
D. 435,768	*	1/2001	Duffy	.....	D8/62
4,810,855	*	3/1989	Dassi et al.	.....	219/474
4,905,420	*	3/1990	Flachenecker et al.	.....	451/344
4,920,702	*	5/1990	Kloss et al.	.....	451/294

**DESCRIPTION**

FIG. 1 is a rear perspective view of a sander head showing my new design.

FIG. 2 is a left side elevational view thereof.

FIG. 3 is a right side elevational view thereof.

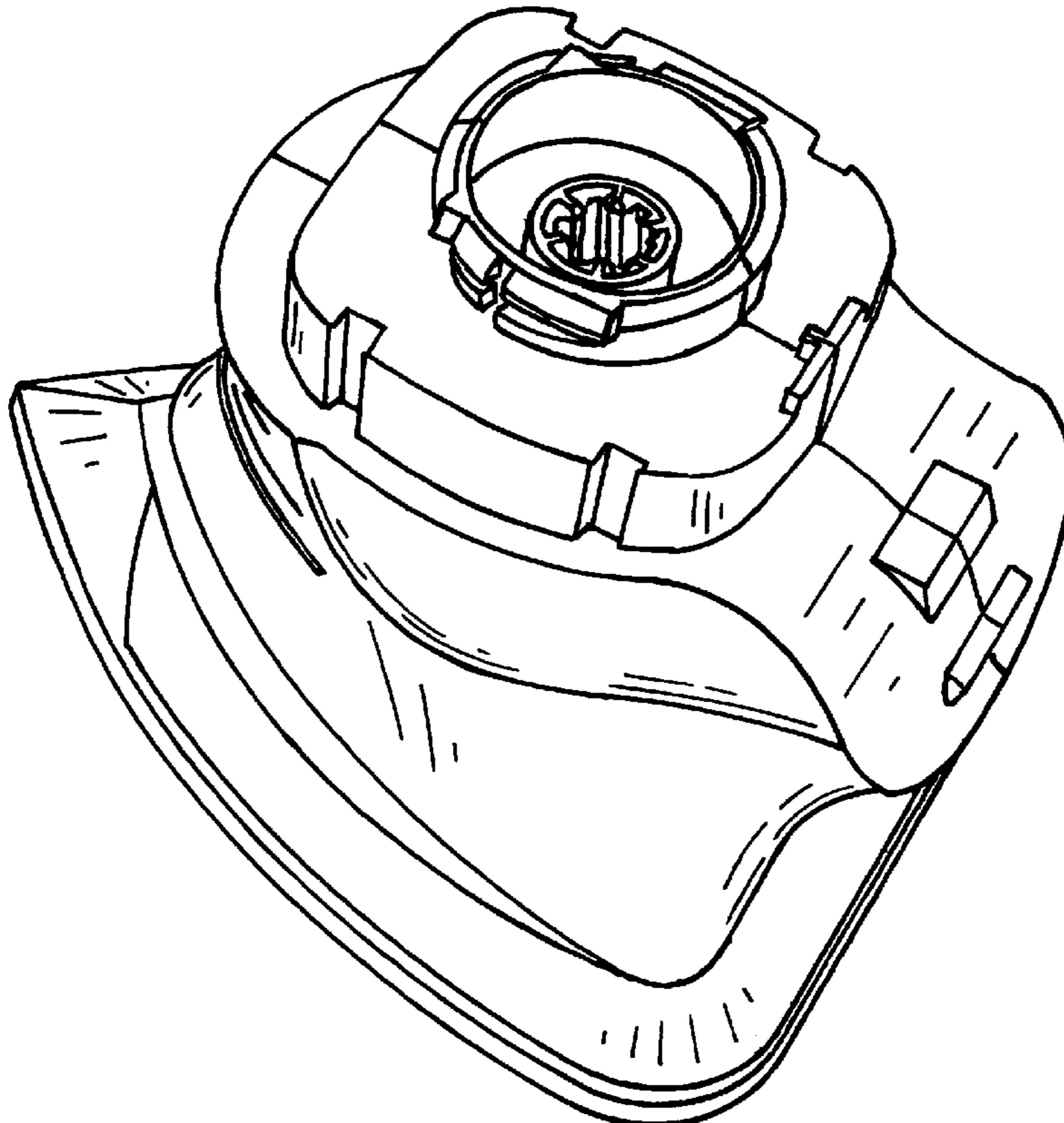
FIG. 4 is a top plan view thereof.

FIG. 5 is a bottom plan view thereof.

FIG. 6 is a rear elevational view thereof; and,

FIG. 7 is a front elevational view thereof.

**1 Claim, 4 Drawing Sheets**



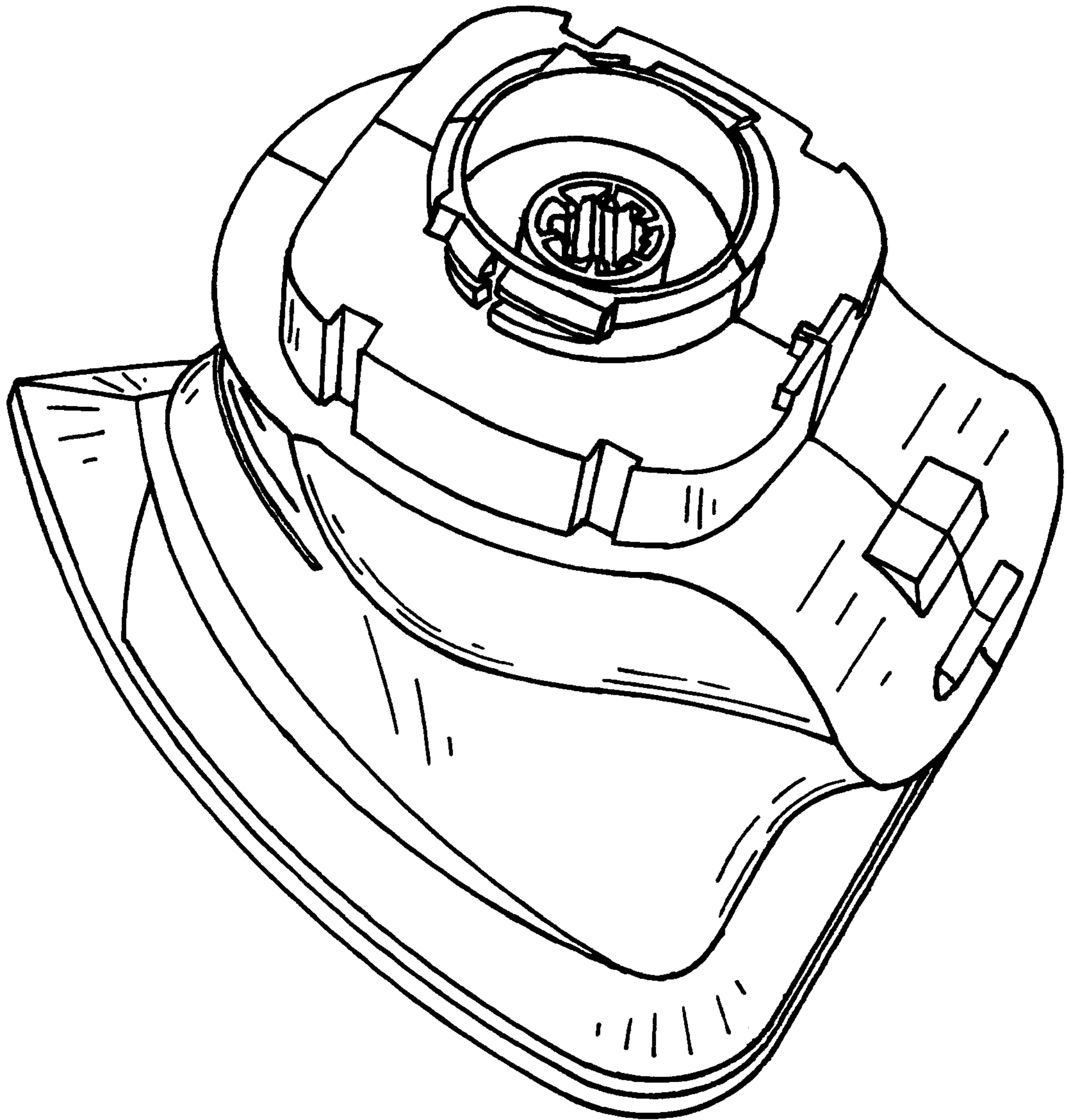


FIG. 1

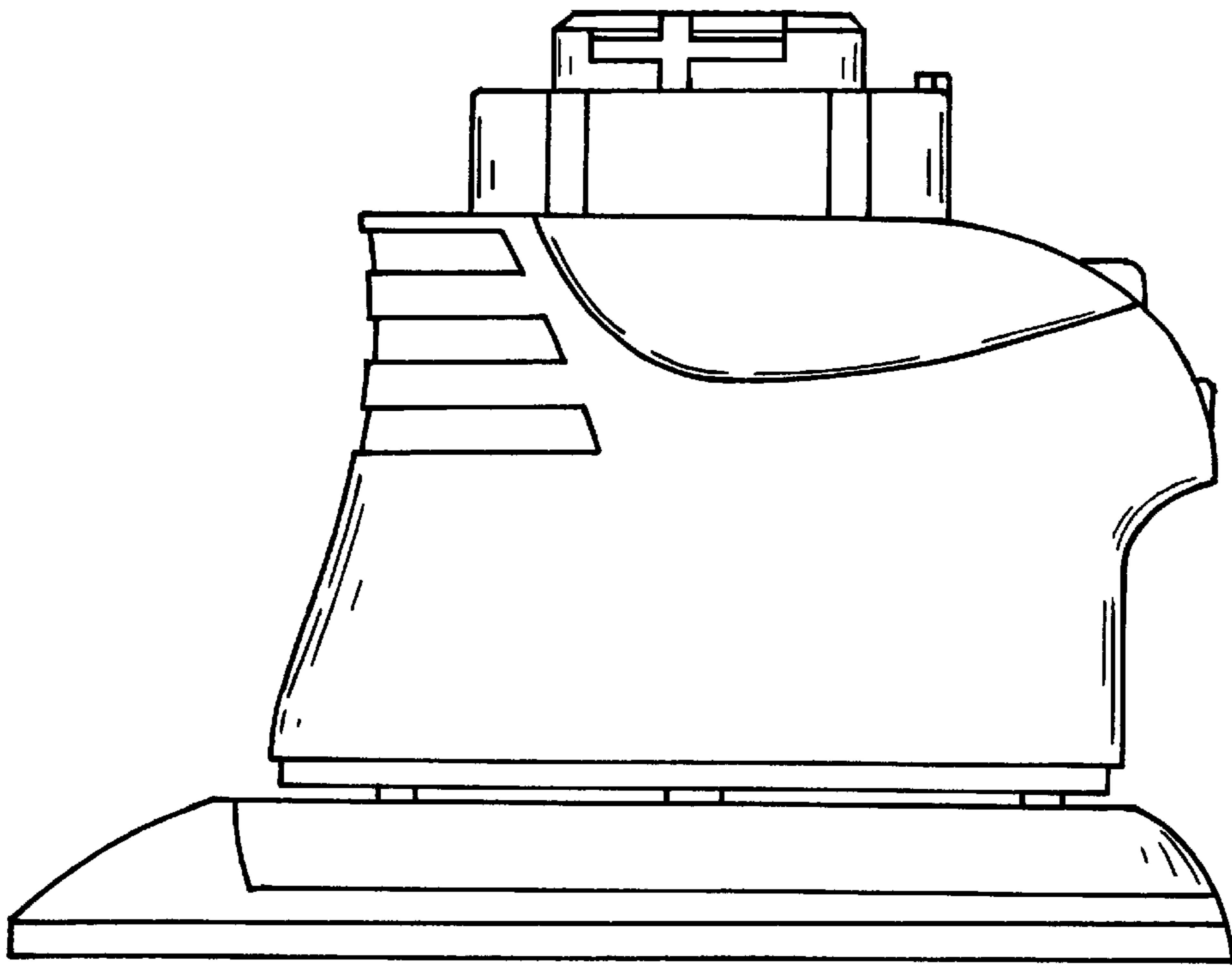


FIG. 2

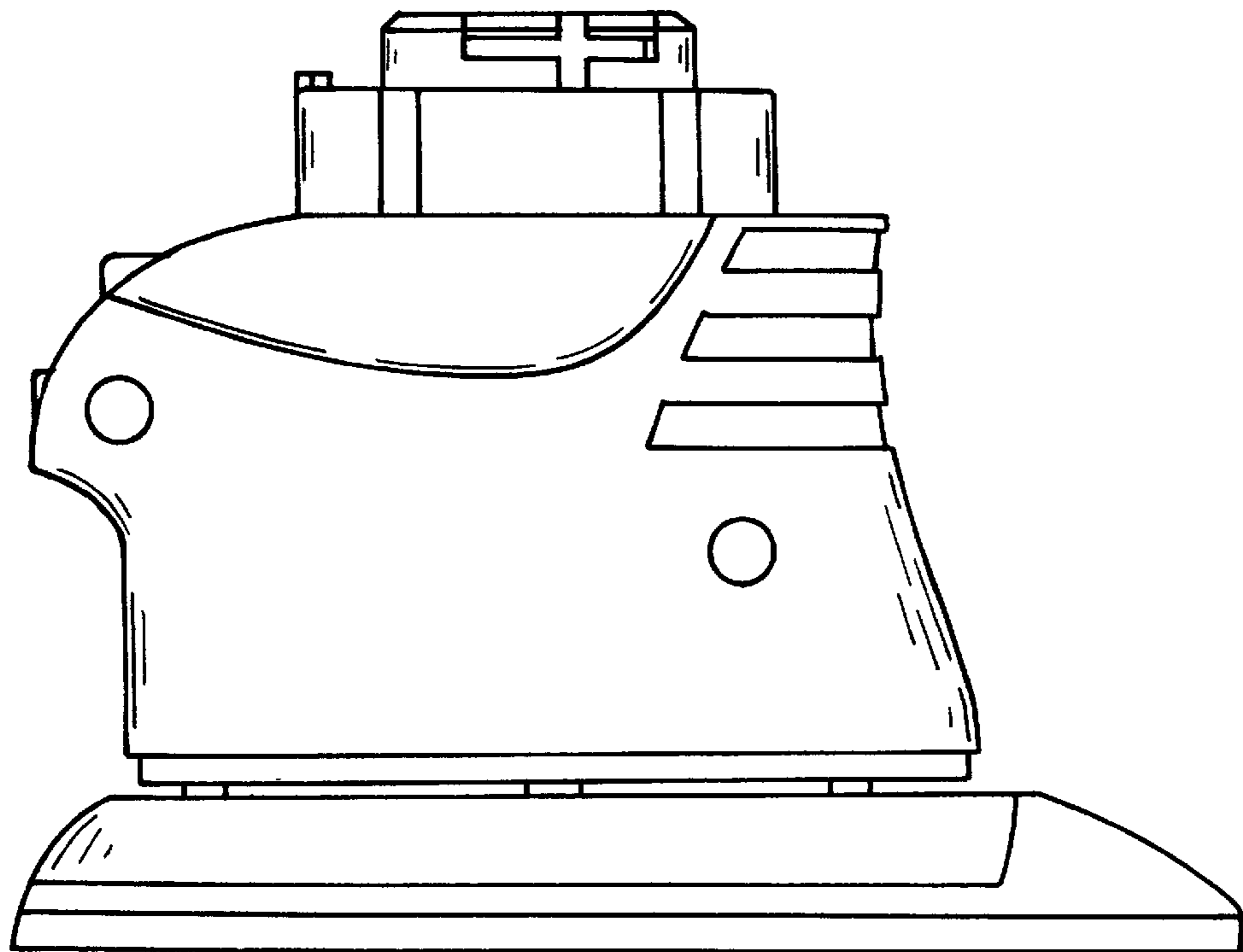


FIG. 3

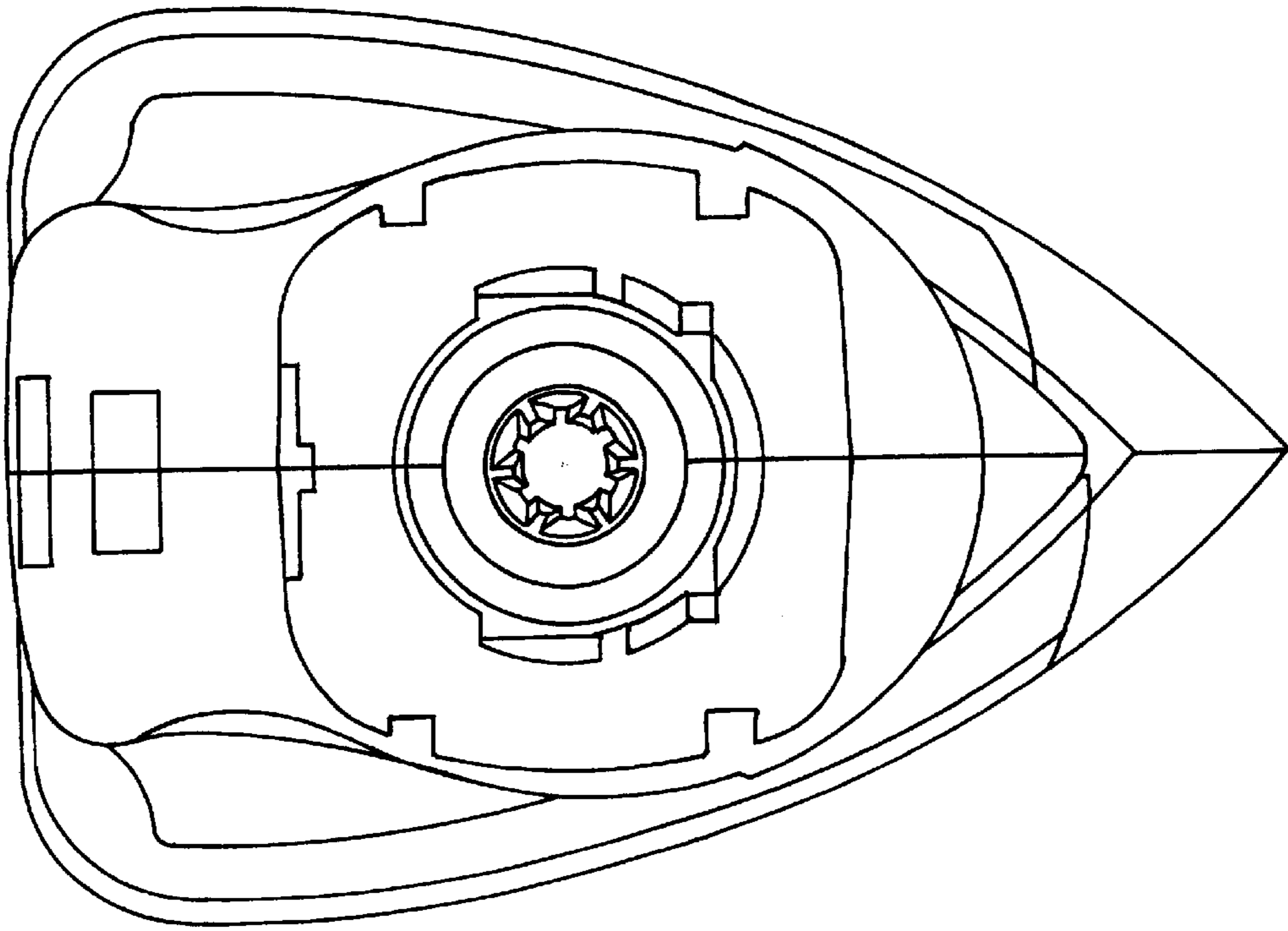


FIG. 4

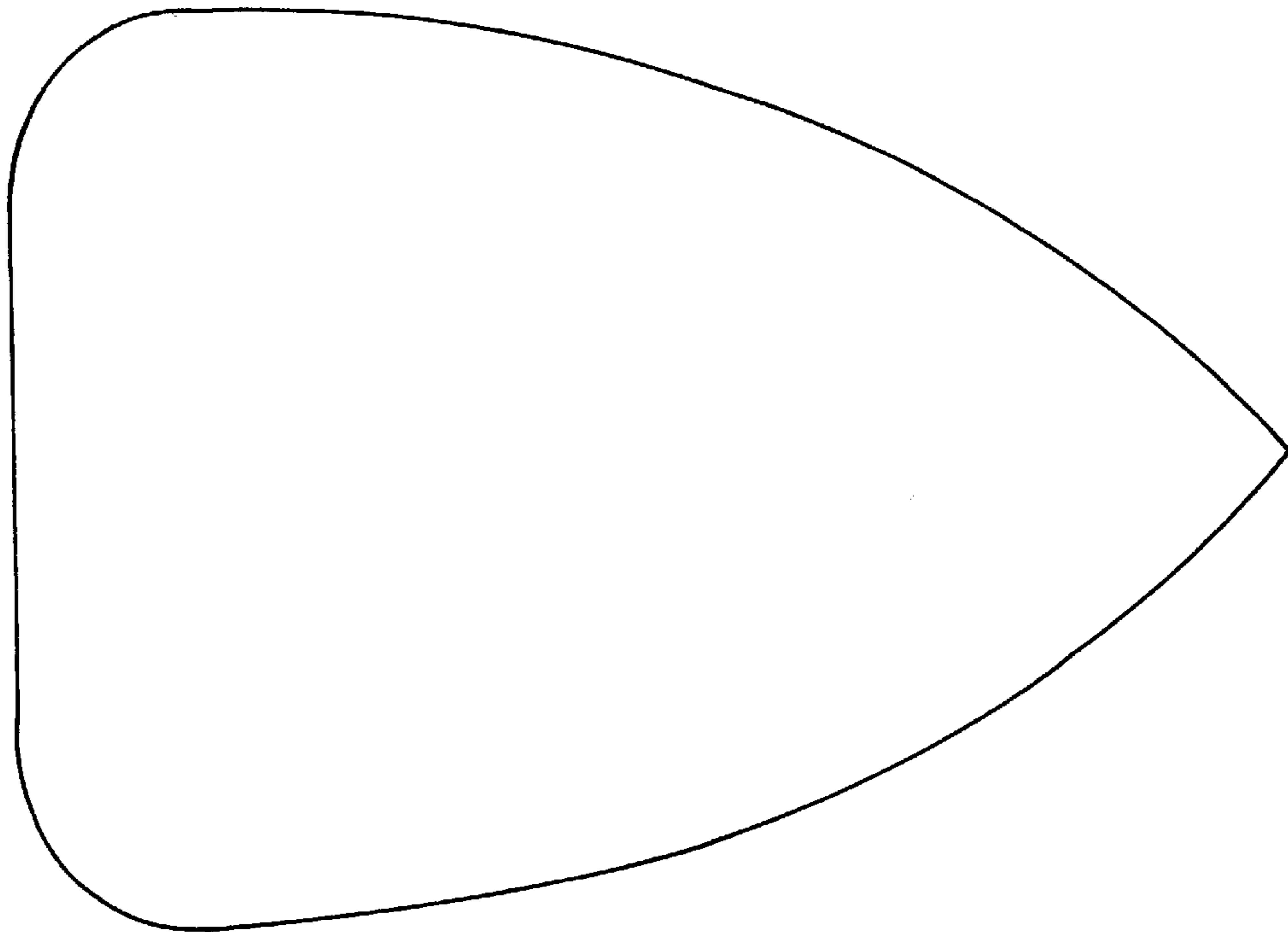


FIG. 5

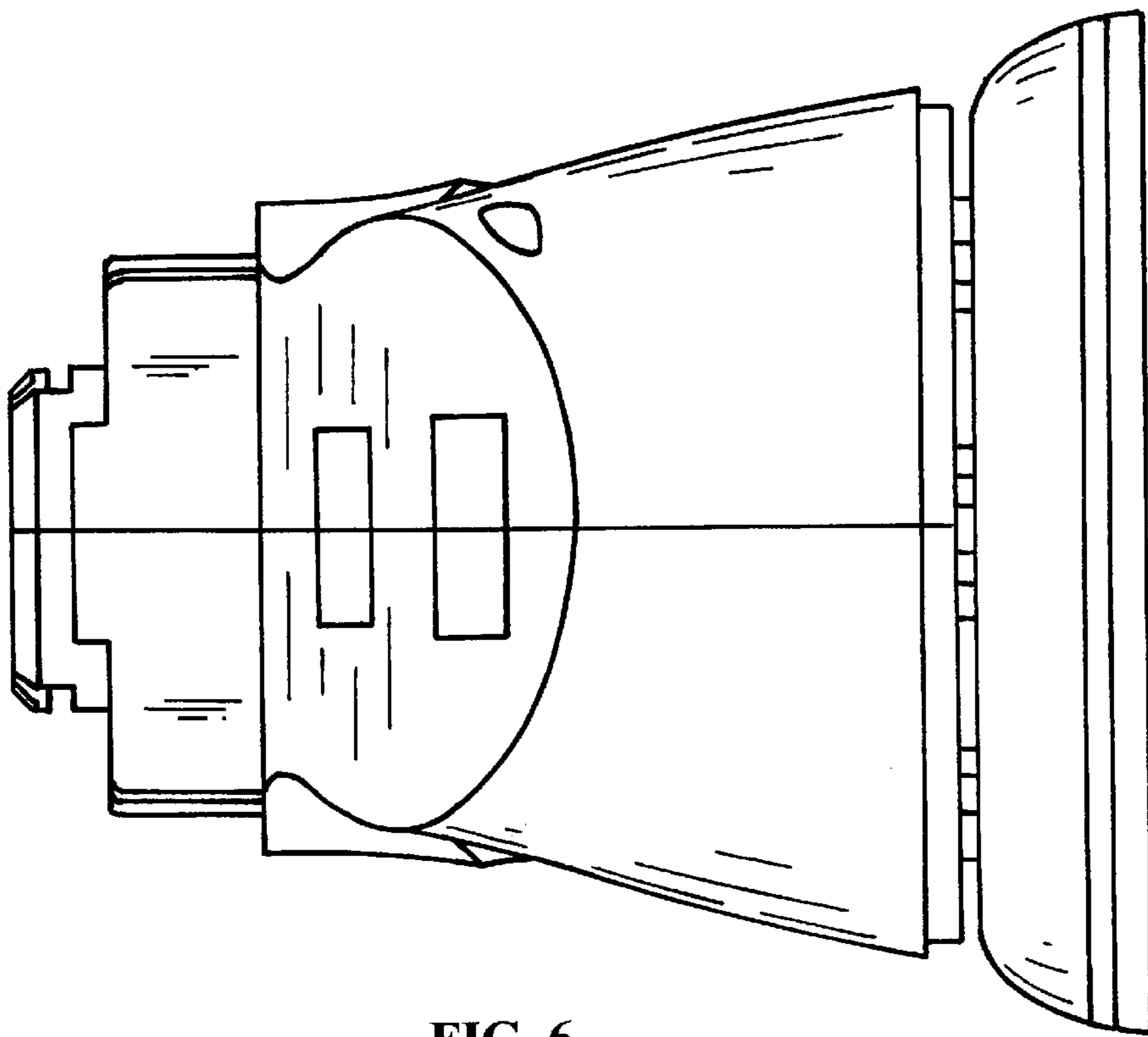


FIG. 6

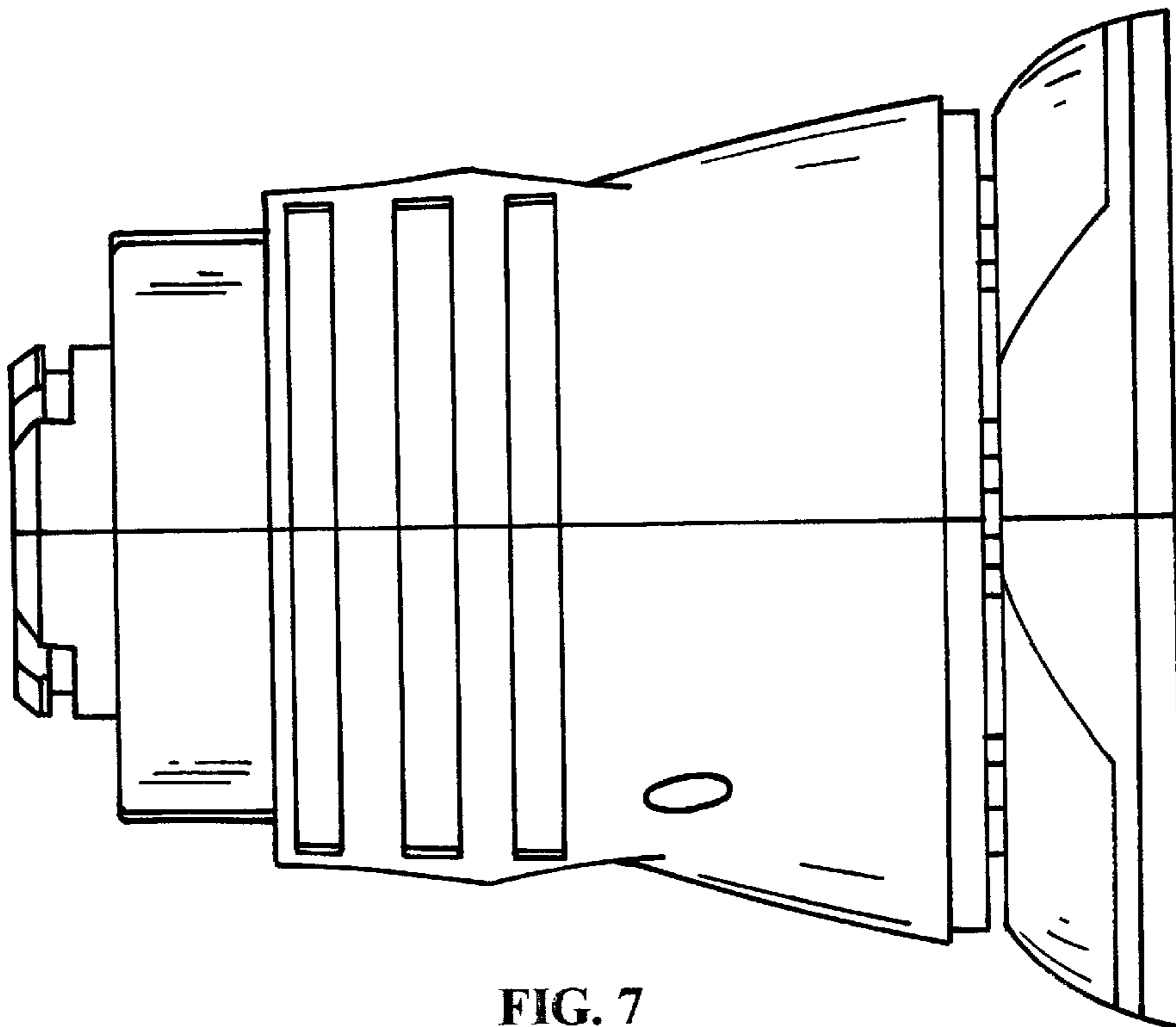


FIG. 7