



US00D447037B1

(12) **United States Design Patent**
Netzler

(10) **Patent No.:** **US D447,037 S**

(45) **Date of Patent:** **** Aug. 28, 2001**

(54) **JIGSAW HEAD**

(75) **Inventor:** **Sion Netzler**, Newton Aycliffe (GB)

(73) **Assignee:** **Black & Decker Inc.**, Newark, DE (US)

(**) **Term:** **14 Years**

(21) **Appl. No.:** **29/131,182**

(22) **Filed:** **Oct. 16, 2000**

(51) **LOC (7) Cl.** **08-03**

(52) **U.S. Cl.** **D8/70; D8/64**

(58) **Field of Search** D8/61-70; 81/57.11, 81/54, 57.42; 173/170, 217, 169, 216, 213, 164, 163; 451/357-359, 344, 356; 310/50; 30/376, 392-374

D. 423,314	*	4/2000	Robson	D8/64
D. 426,124	*	6/2000	Kassalen et al.	D8/64
2,668,567	*	2/1954	Olson	30/392
2,793,661	*	5/1957	Olson	30/393
3,130,759	*	4/1964	Mohr	144/35.1
4,810,855	*	3/1989	Dassi et al.	219/474
6,153,838	*	11/2000	Wadge	200/50.01
6,170,579	*	1/2001	Wadge	173/216
6,176,322	*	1/2001	Wadge	173/217
6,181,032	*	1/2001	Marshall et al.	307/150
6,206,107	*	3/2001	Wadge	173/217

* cited by examiner

Primary Examiner—Jeffrey Asch

(74) *Attorney, Agent, or Firm*—Bruce S. Shapiro

(57) **CLAIM**

The ornamental design for a jigsaw head, as shown and described.

(56) **References Cited**

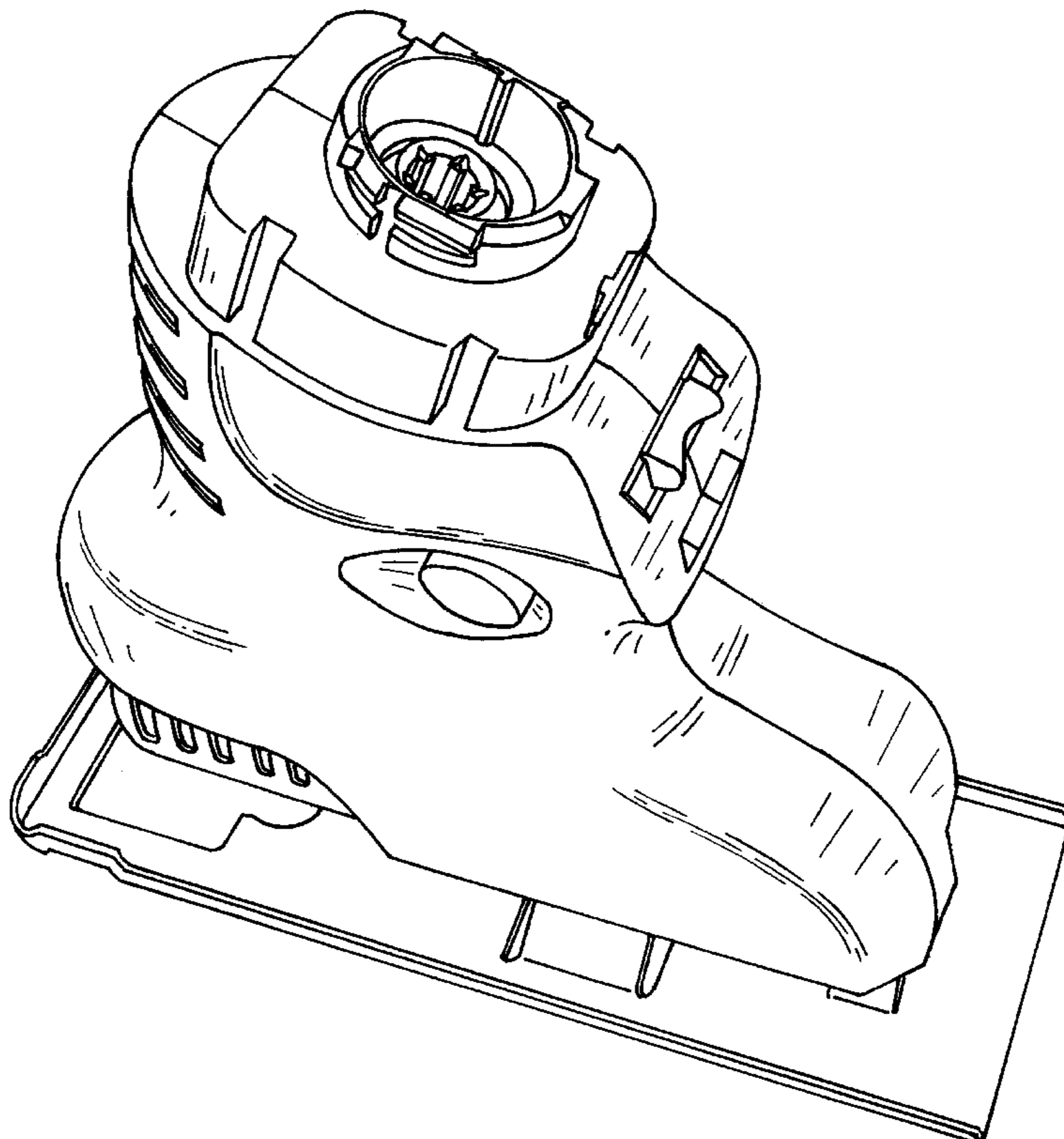
U.S. PATENT DOCUMENTS

D. 244,744	*	6/1977	Bunyea	D8/8
D. 303,346	*	9/1989	Ogawa	D8/61
D. 329,005	*	9/1992	Hoshino et al.	D8/69
D. 404,274	*	1/1999	Ogasawara et al.	D8/64
D. 409,469	*	5/1999	Niwa et al.	D8/69
D. 410,183	*	5/1999	Thomson	D8/69
D. 413,243	*	8/1999	Robson	D8/64
D. 414,094	*	9/1999	Heun	D8/64
D. 420,267	*	2/2000	Robson	D8/61
D. 420,876	*	2/2000	Bosten et al.	D8/64

DESCRIPTION

FIG. 1 is a rear perspective view of a jigsaw head showing my new design;
FIG. 2 is a left side elevational view thereof.
FIG. 3 is a right side elevational view thereof.
FIG. 4 is a rear elevational view thereof.
FIG. 5 is a front elevational view thereof.
FIG. 6 is a bottom plan view thereof; and,
FIG. 7 is a top plan view thereof.

1 Claim, 5 Drawing Sheets



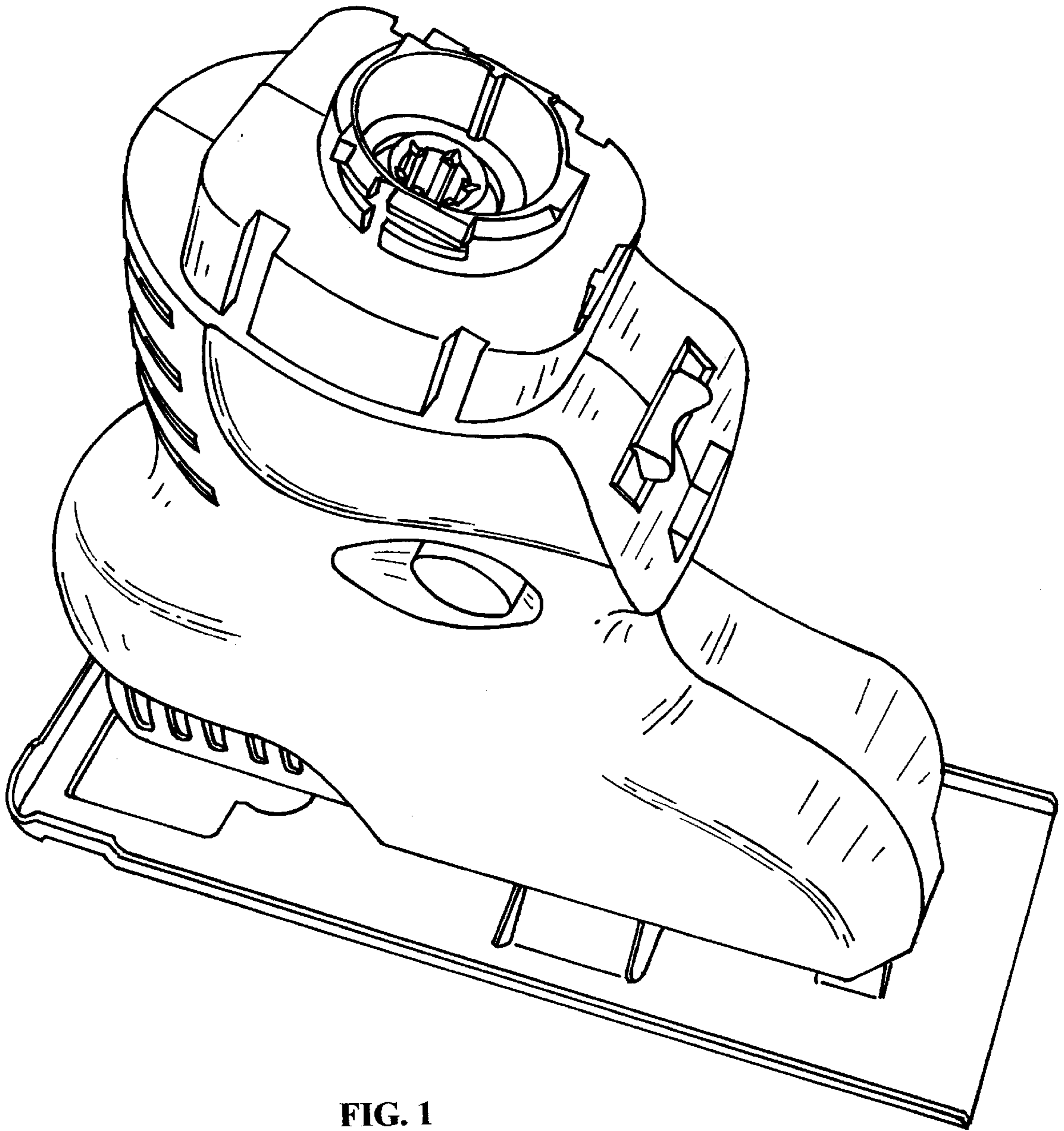


FIG. 1

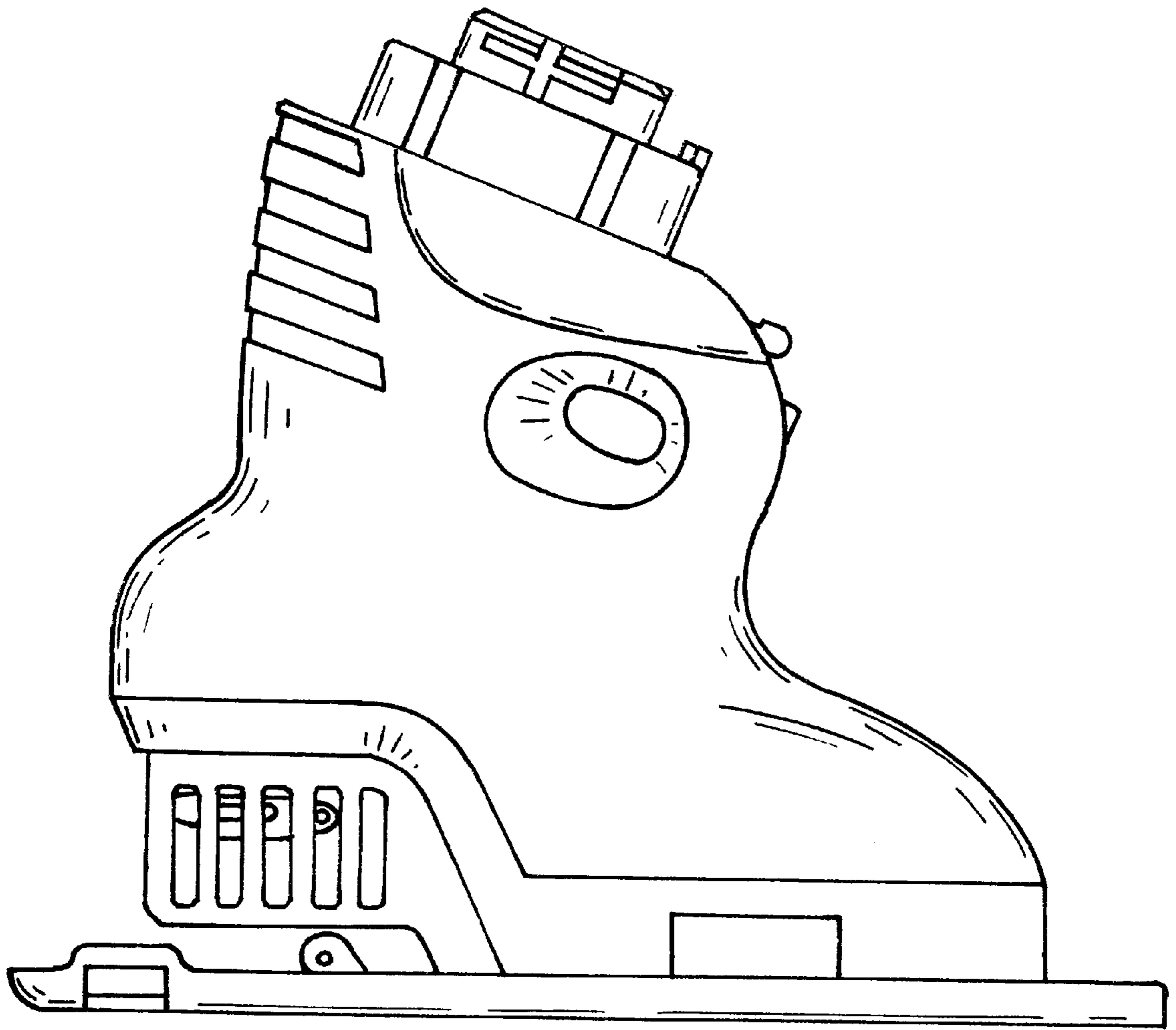


FIG. 2

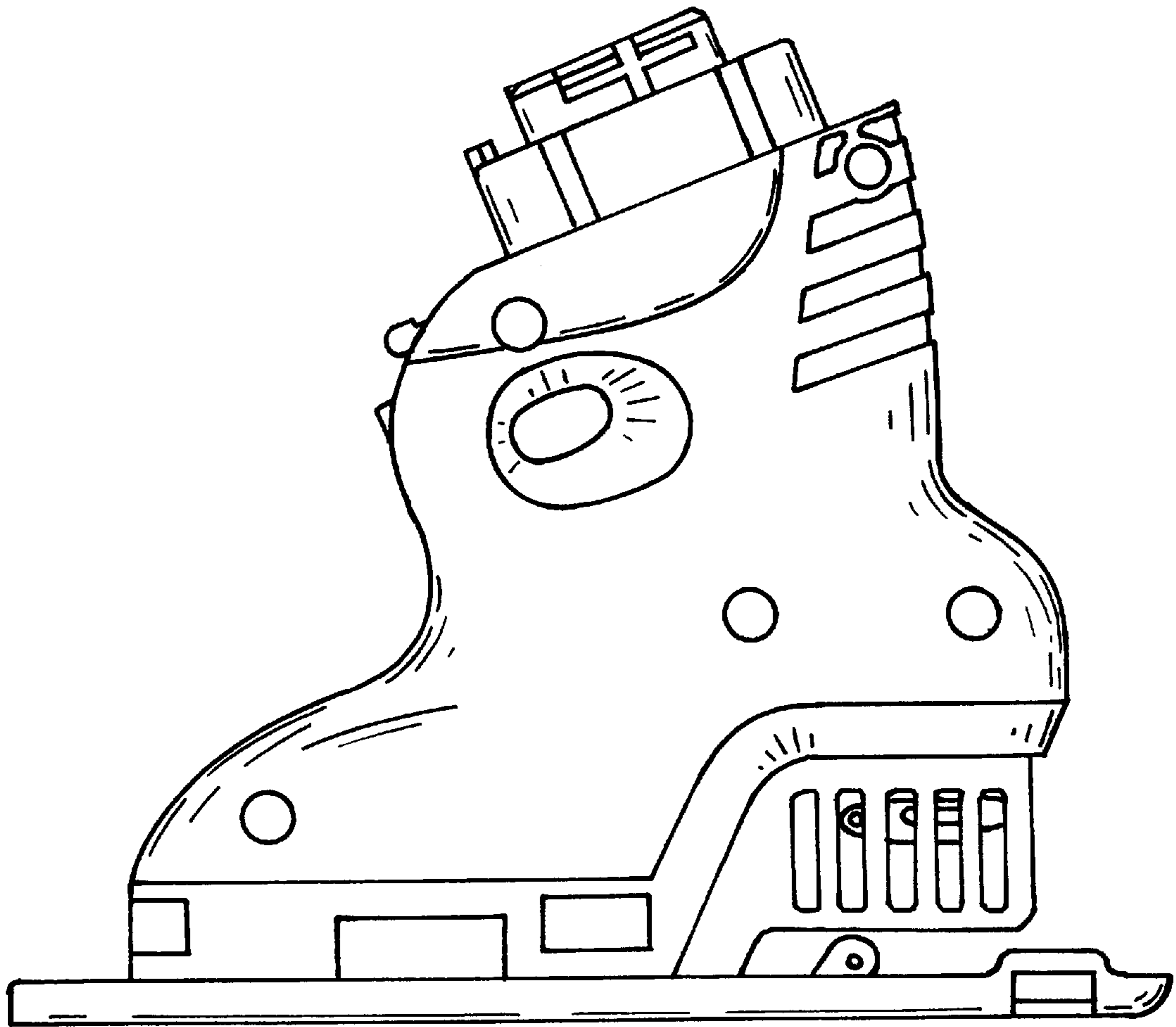


FIG. 3

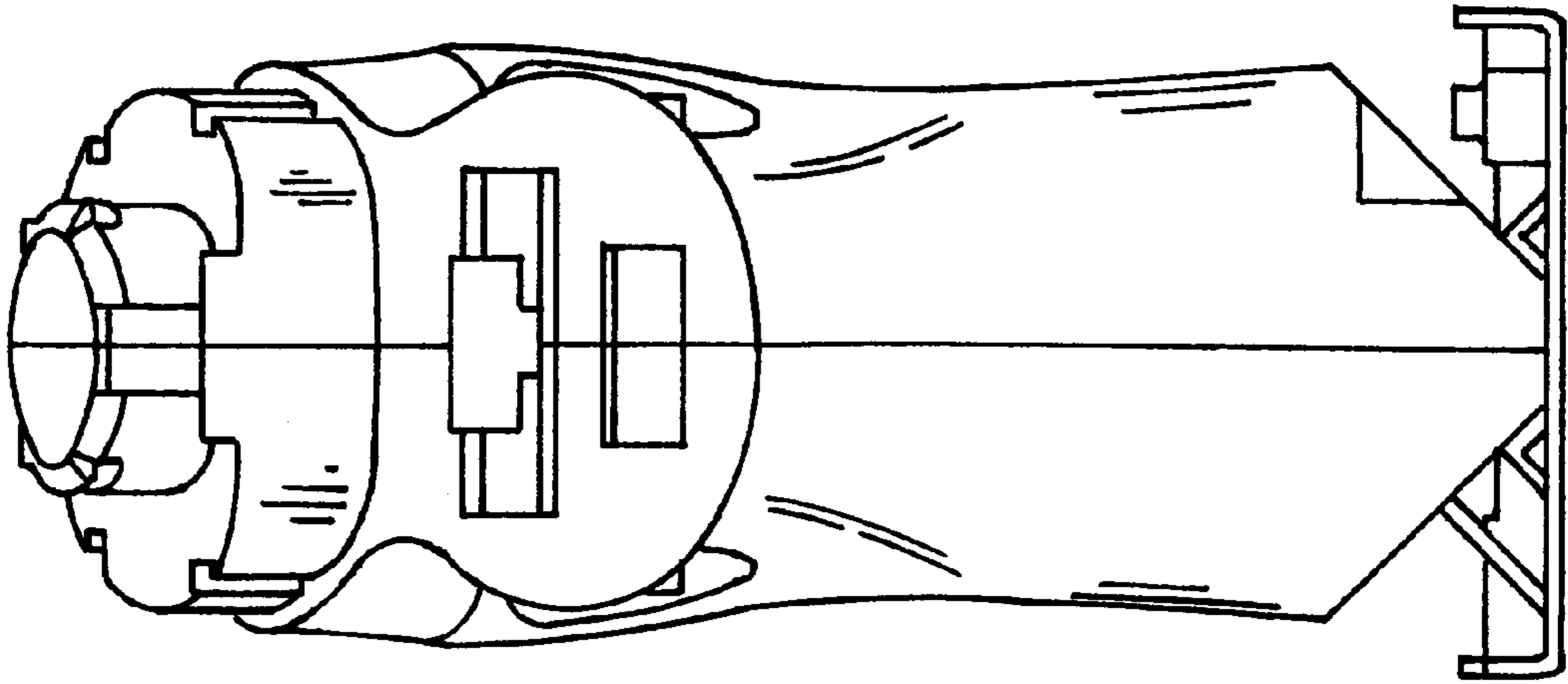


FIG. 4

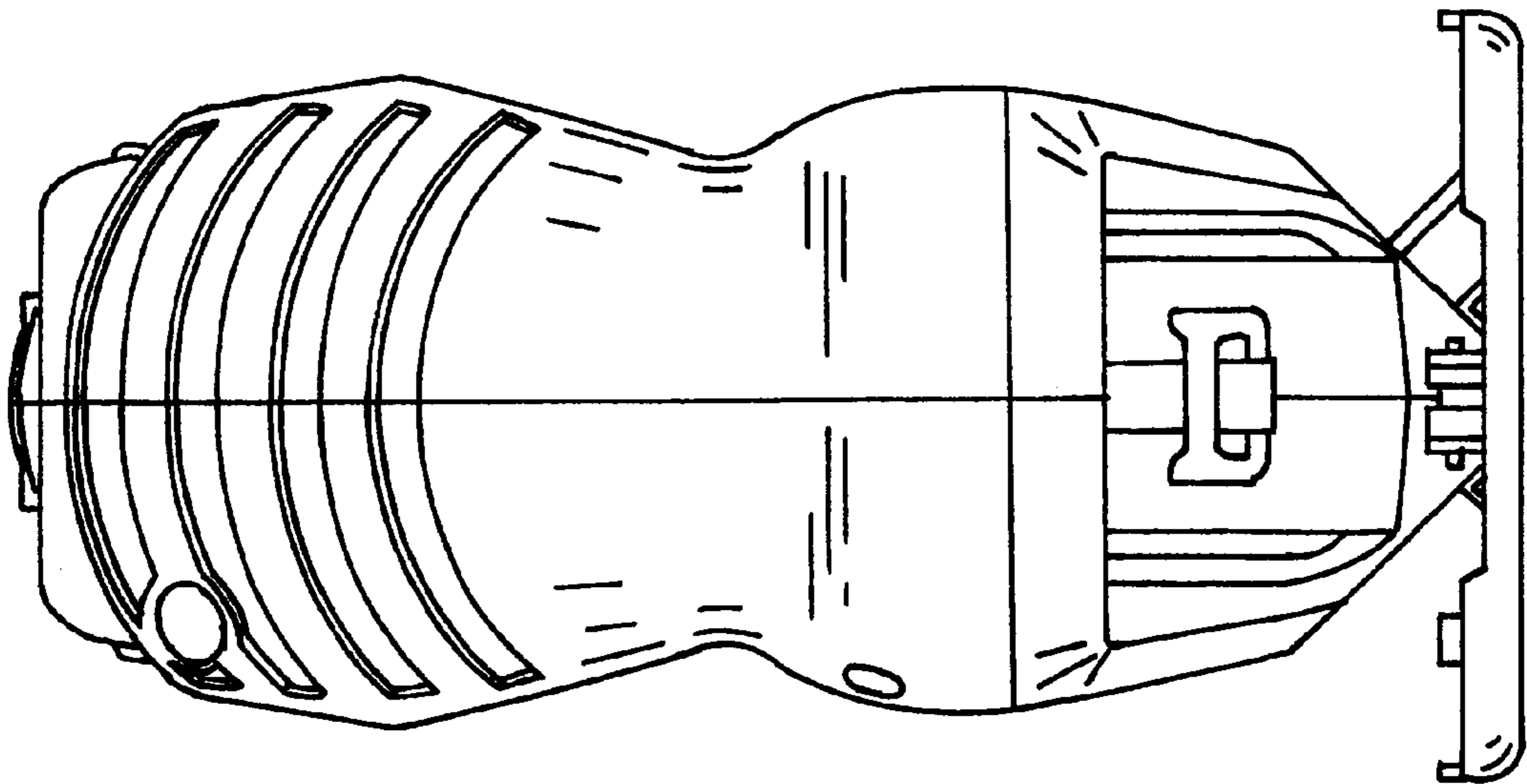


FIG. 5

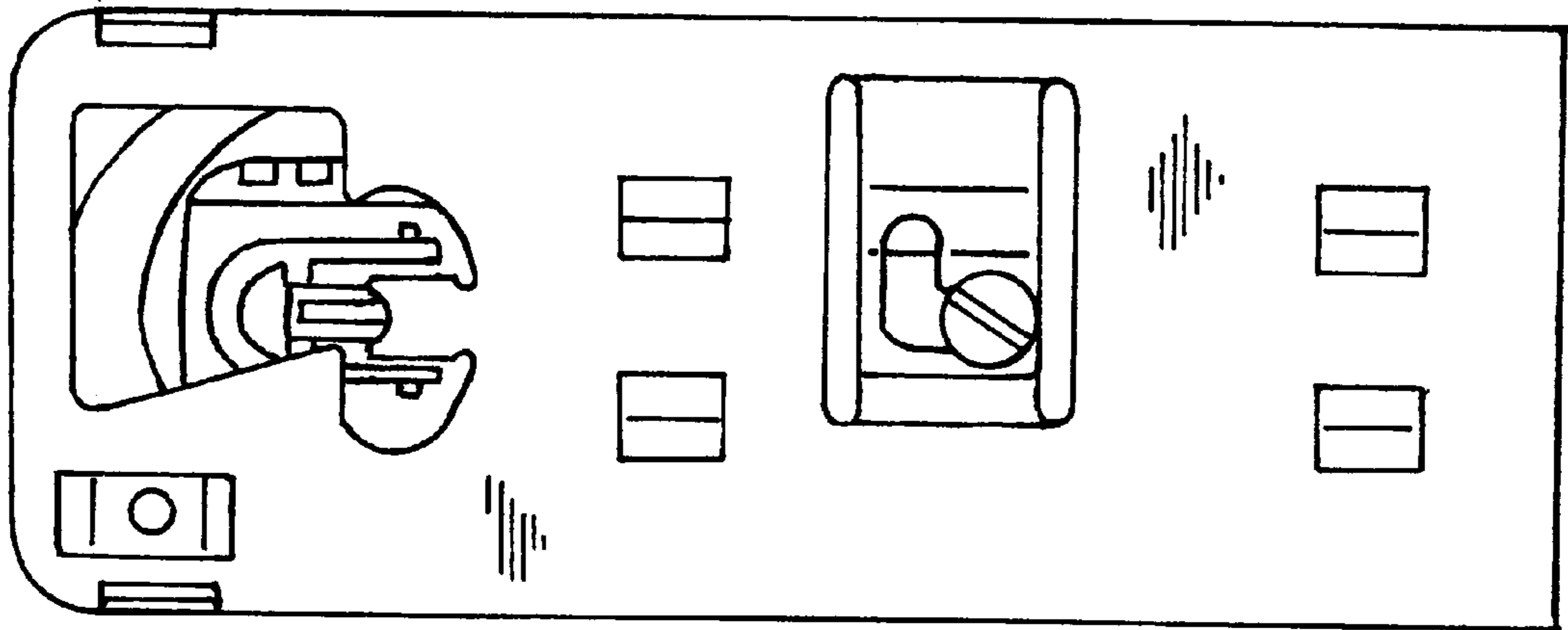


FIG. 6

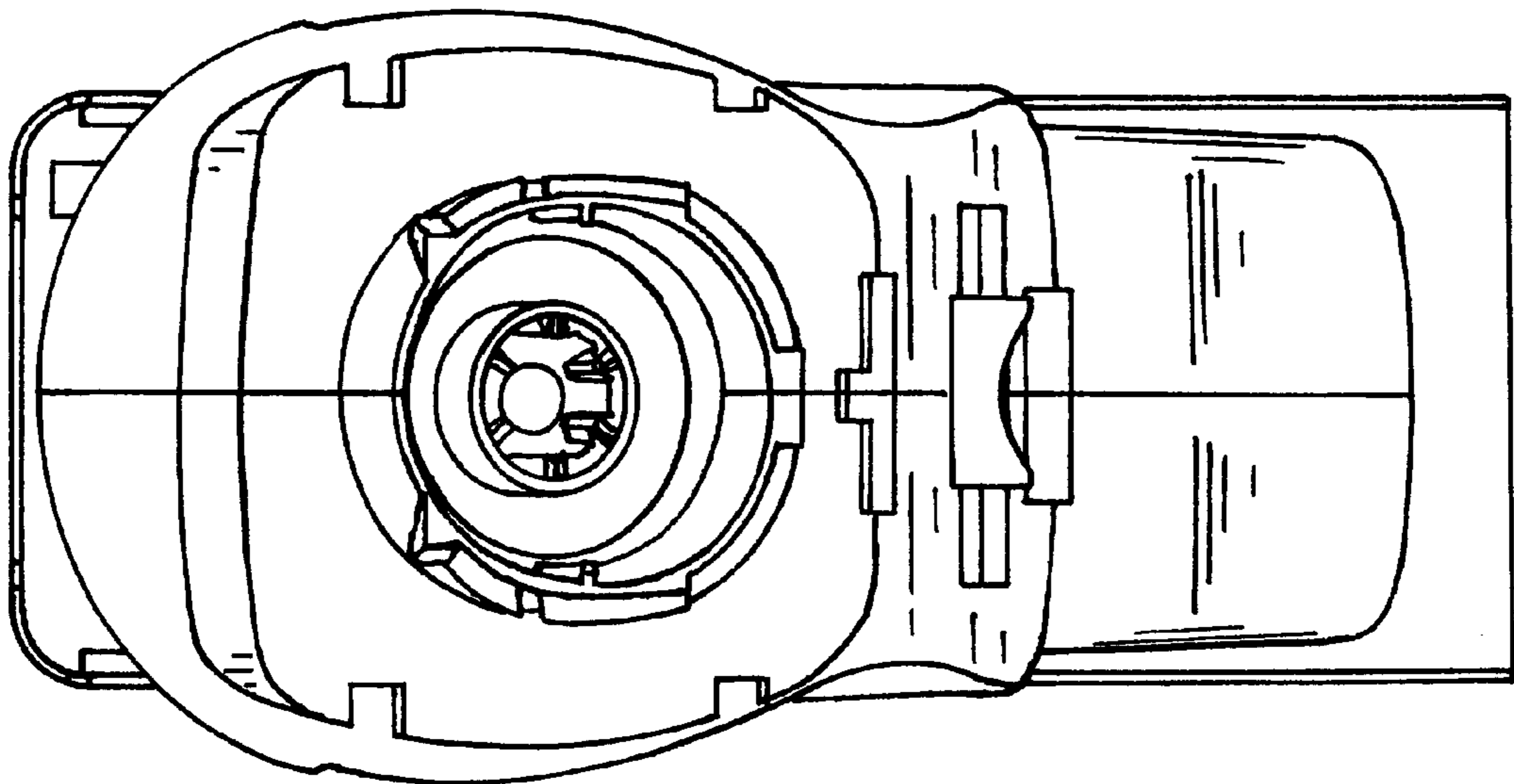


FIG. 7