



US00D447034B1

(12) **United States Design Patent**  
**Buck**

(10) **Patent No.:** **US D447,034 S**

(45) **Date of Patent:** **\*\* Aug. 28, 2001**

(54) **FASTENER DRIVING TOOL**  
(75) Inventor: **John E. Buck**, Cockeysville, MD (US)  
(73) Assignee: **Black & Decker Inc.**, Newark, DE (US)  
(\*\*) Term: **14 Years**

D. 377,592	*	1/1997	Hattori	.....	D8/69
D. 406,999	*	3/1999	Sover et al.	.....	D8/69
D. 431,766	*	10/2000	Zurwelle	.....	D8/67
D. 435,770	*	1/2001	Arai	.....	D8/68
5,238,168	*	8/1993	Oda	.....	227/123
5,322,189	*	6/1994	Oda	.....	221/227
6,016,946	*	1/2000	Phillips et al.	.....	227/10
6,045,024	*	4/2000	Phillips	.....	227/130

\* cited by examiner

(21) Appl. No.: **29/135,084**  
(22) Filed: **Jan. 3, 2001**

*Primary Examiner*—Jeffrey Asch  
(74) *Attorney, Agent, or Firm*—Adan Ayala

**Related U.S. Application Data**

(63) Continuation of application No. 29/124,350, filed on Jun. 5, 2000.

(51) **LOC (7) Cl.** ..... **08-05**  
(52) **U.S. Cl.** ..... **D8/68**  
(58) **Field of Search** ..... D8/61-70, 49;  
81/57.11, 54, 57.42; 173/170; 227/8, 66,  
130

(57) **CLAIM**

The ornamental design for a fastener driving tool, as shown and described.

**DESCRIPTION**

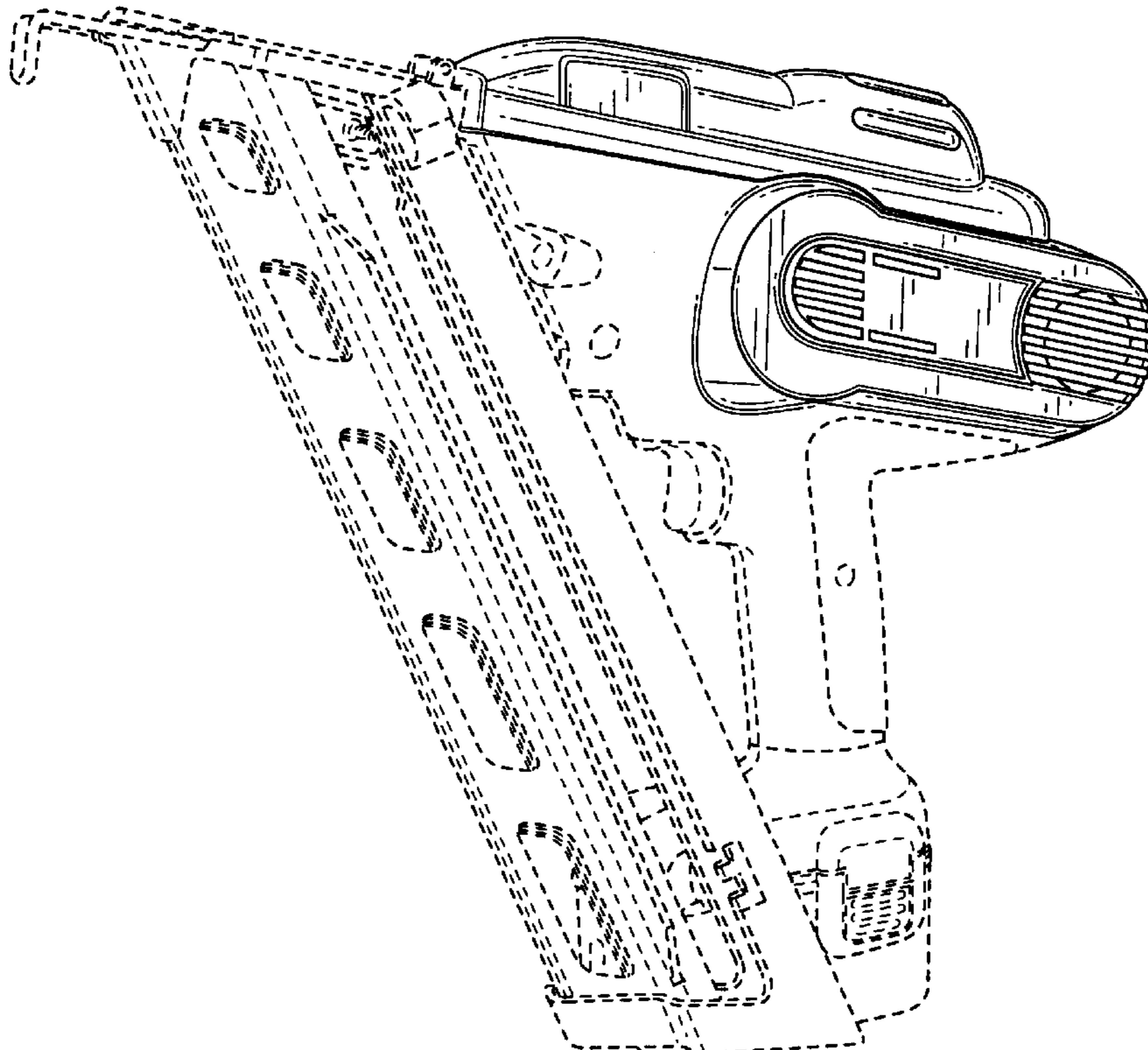
FIG. 1 is a perspective from the right side of a fastener driving tool according to the invention.  
FIG. 2 is a left side elevational of the fastener driving tool.  
FIG. 3 is a right elevational of the fastener driving tool.  
FIG. 4 is a front elevational of the fastener driving tool.  
FIG. 5 is a rear elevational view of the fastener driving tool.  
FIG. 6 is a top plan view of the fastener driving tool; and,  
FIG. 7 is a bottom plan view of the fastener driving tool.  
The broken line showings of portions of the fastener driving tool throughout the views are for illustrative purposes only and form no part of the claimed design.

(56) **References Cited**

**U.S. PATENT DOCUMENTS**

D. 338,606	*	8/1993	Oda	.....	D8/69
D. 350,681	*	9/1994	Juhlin et al.	.....	D8/69
D. 359,215	*	6/1995	Zurwelle	.....	D8/68
D. 362,167	*	9/1995	Zurwelle	.....	D8/68
D. 368,009	*	3/1996	Zurwelle	.....	D8/68
D. 368,214	*	3/1996	Zurwelle	.....	D8/68

**1 Claim, 7 Drawing Sheets**



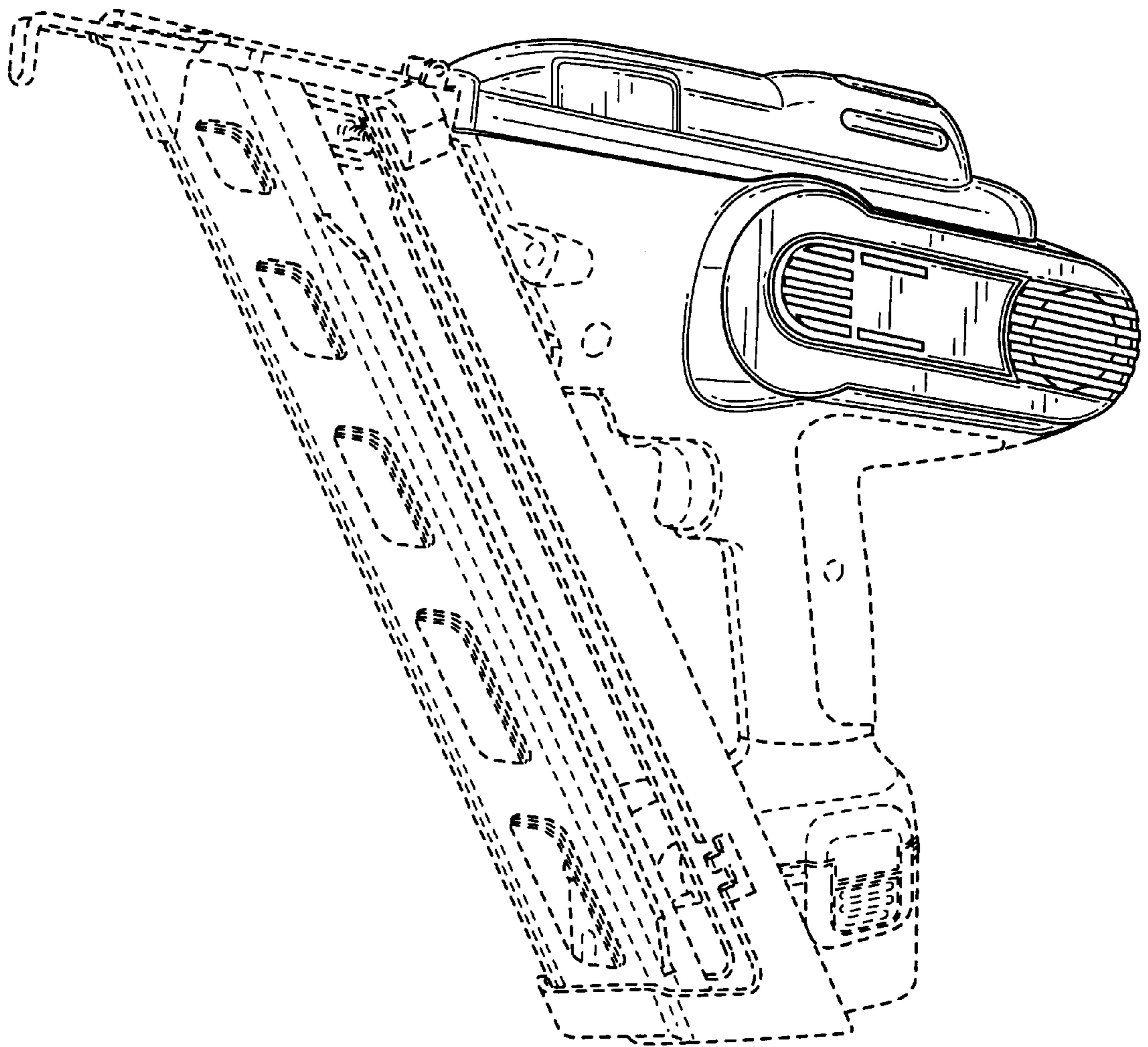


FIG. 1

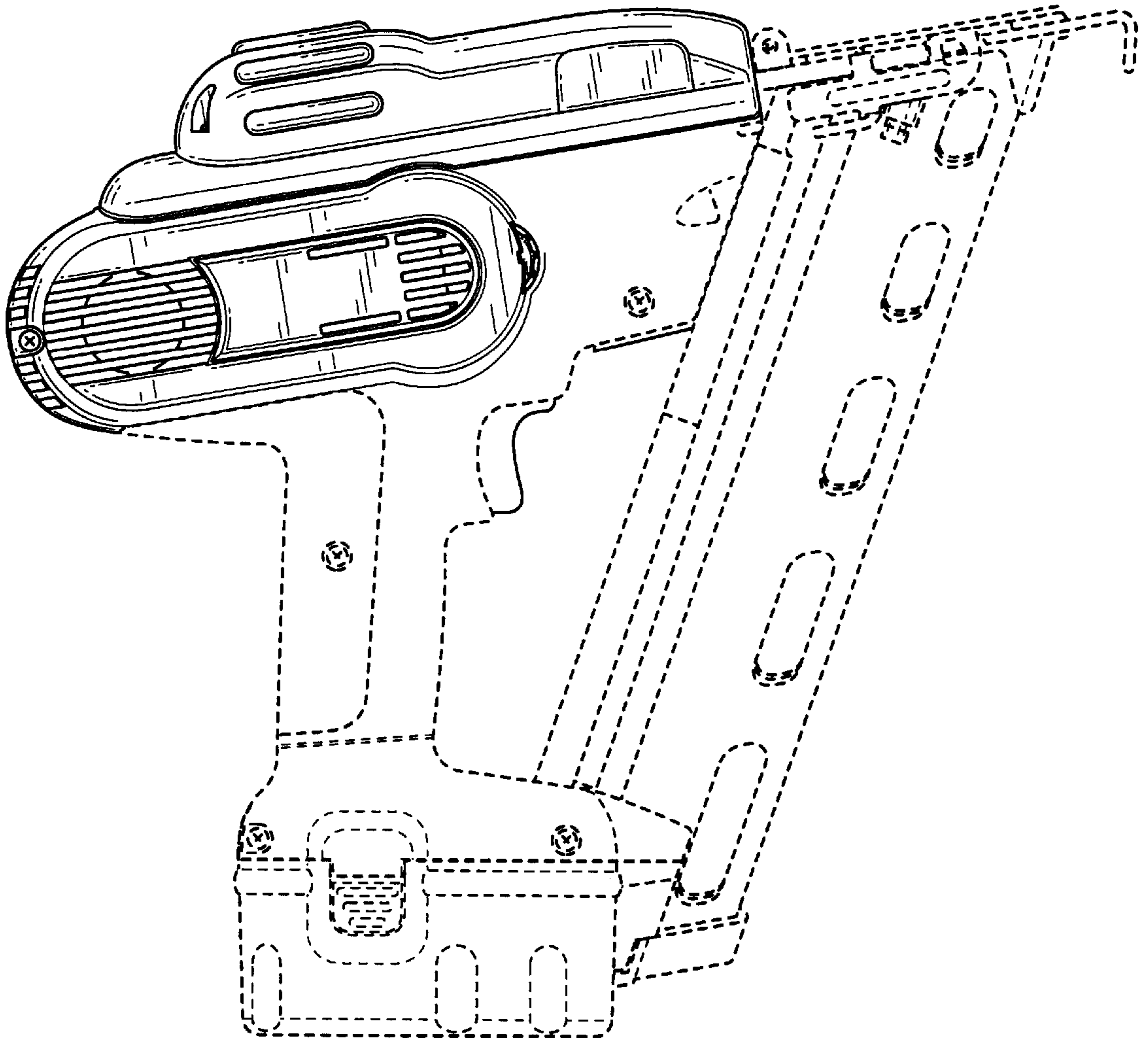


FIG. 2



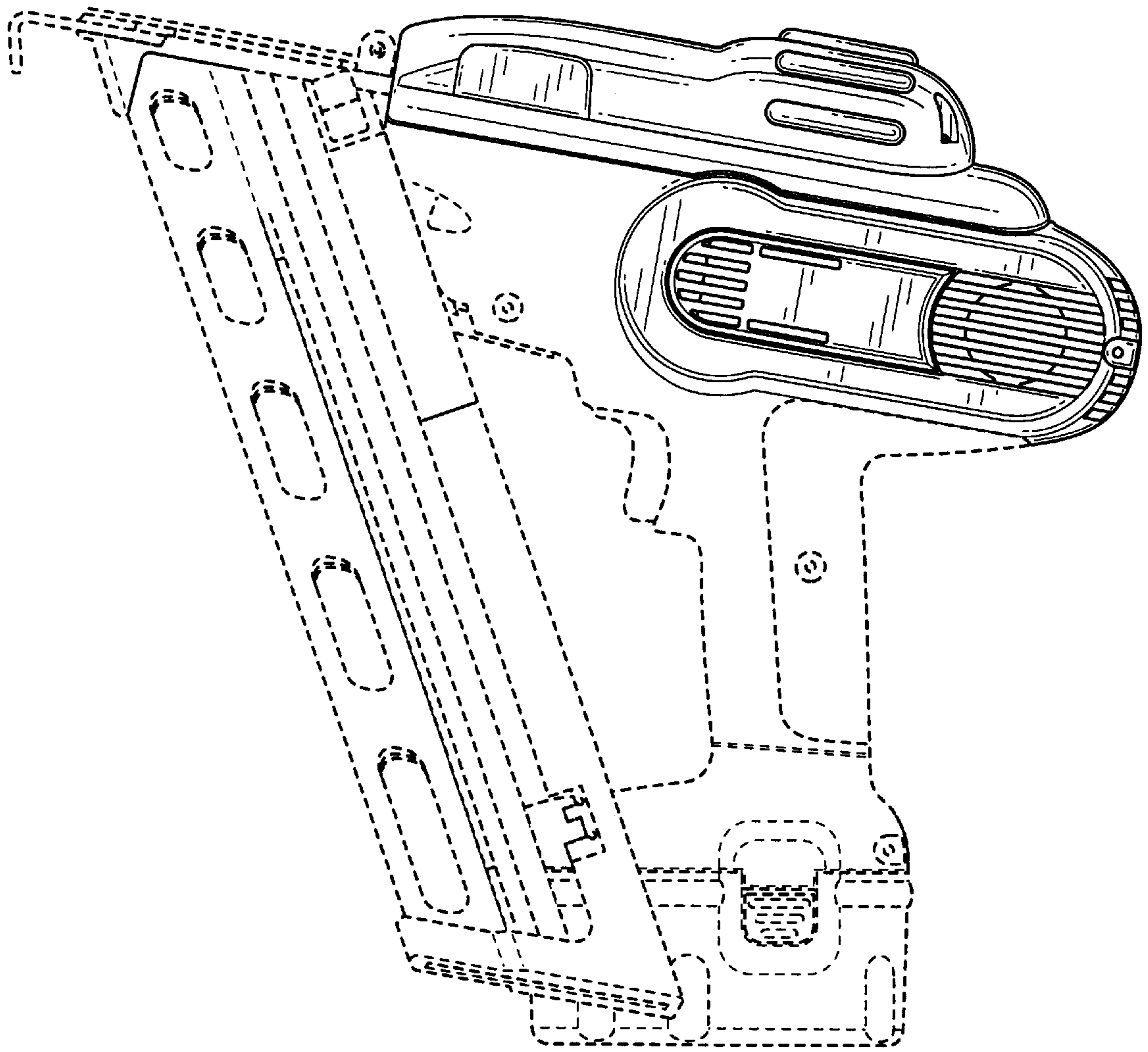


FIG. 3

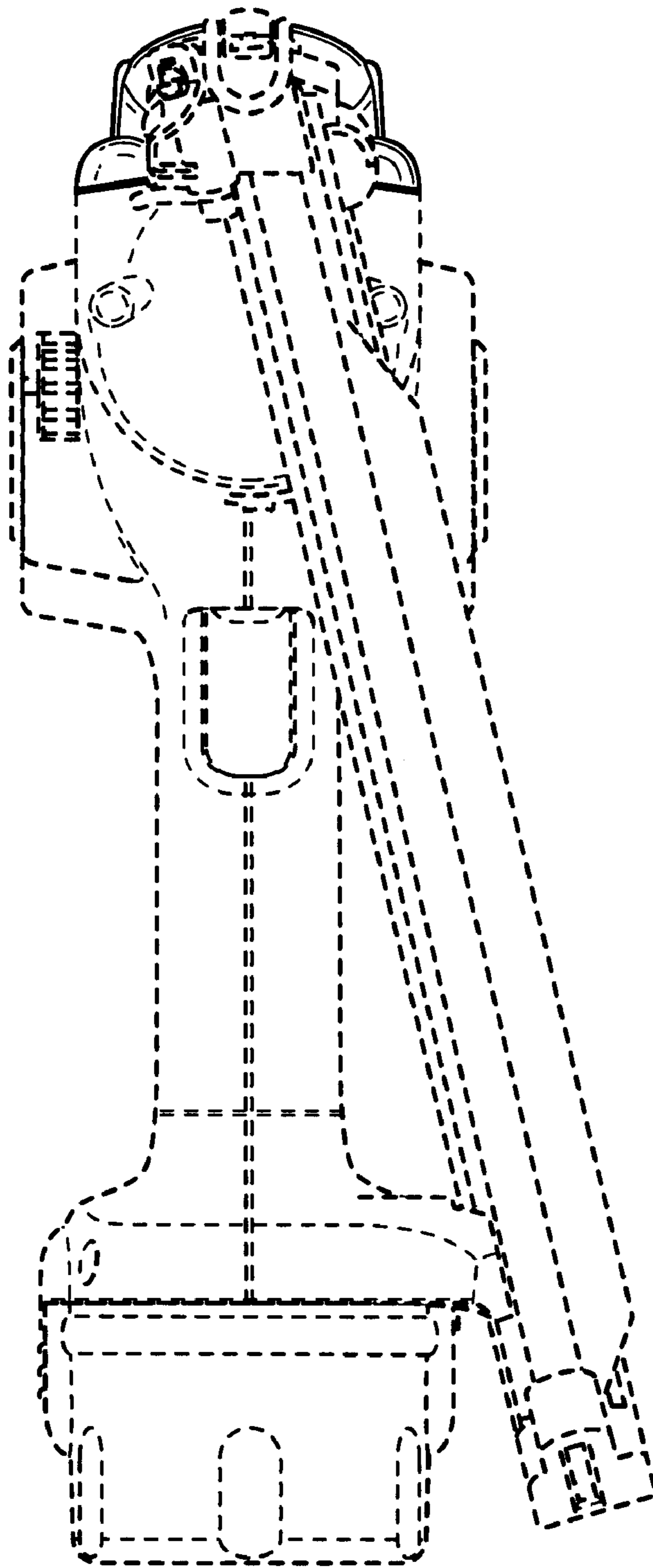


FIG. 4

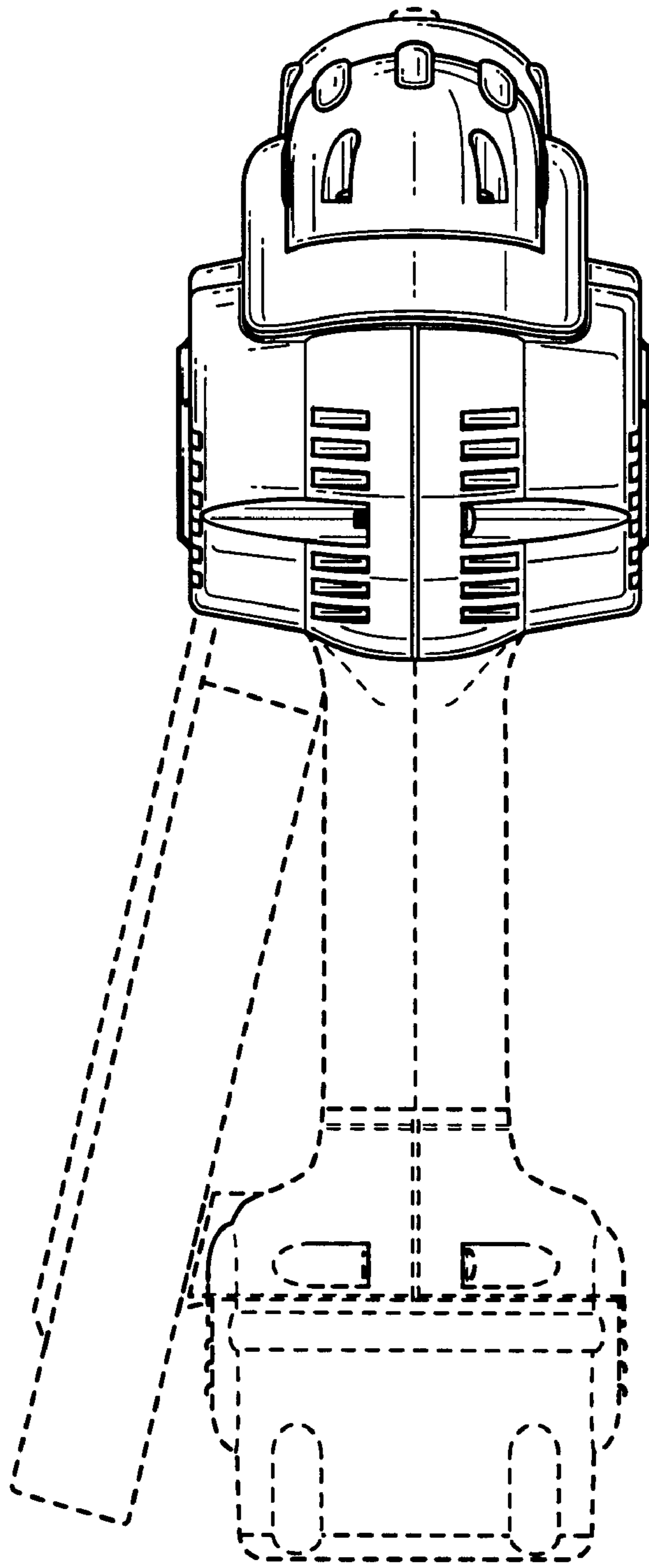


FIG. 5

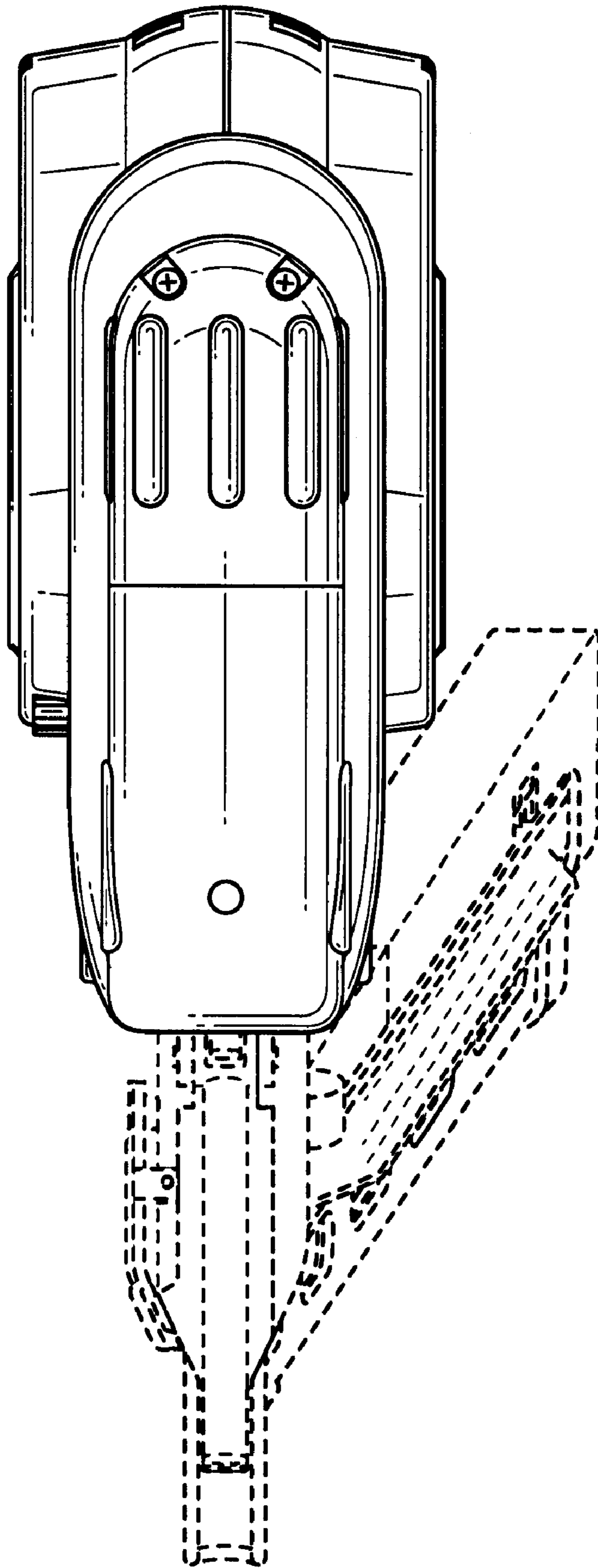


FIG. 6

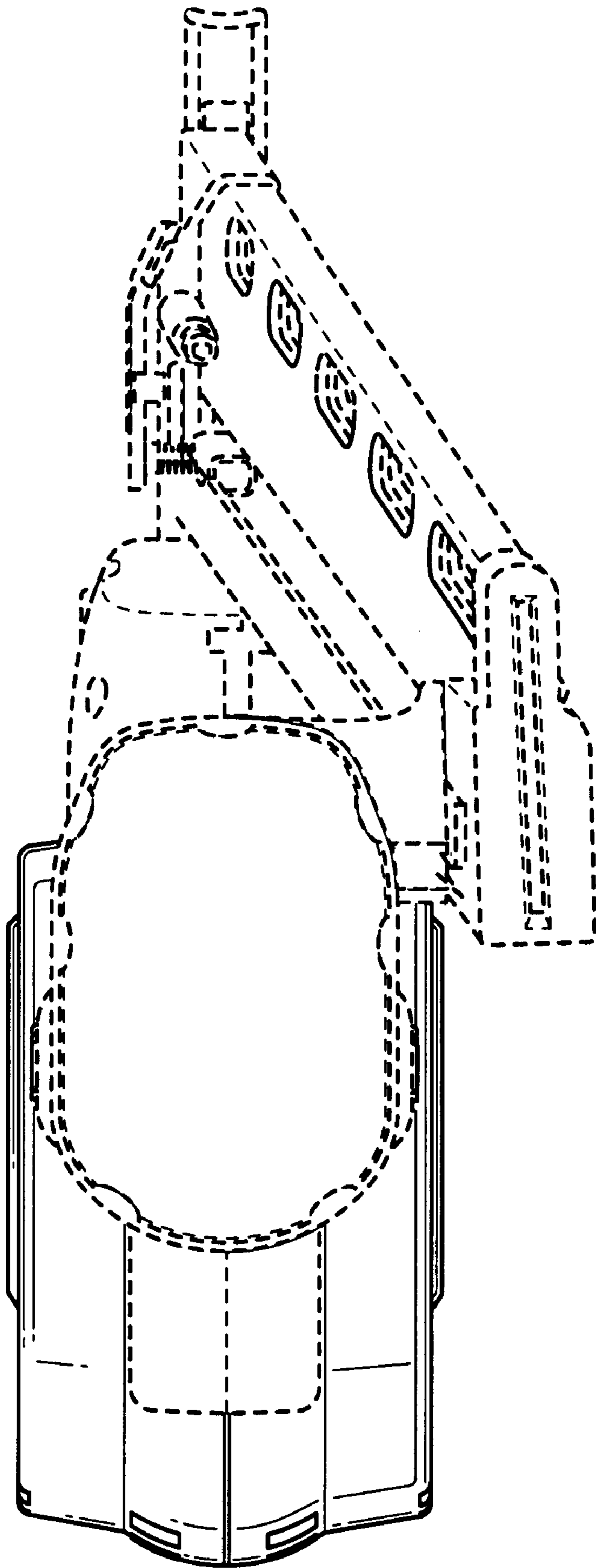


FIG. 7