



US00D447033B1

(12) **United States Design Patent**
Izumisawa

(10) **Patent No.:** **US D447,033 S**

(45) **Date of Patent:** **** Aug. 28, 2001**

(54) **MICRO IMPACT TOOL**

(75) **Inventor:** **Nobuyuki Izumisawa, Tokyo (JP)**

(73) **Assignee:** **Shinana, Inc., Saitama Prefecture (JP)**

(**) **Term:** **14 Years**

(21) **Appl. No.:** **29/124,675**

(22) **Filed:** **Jun. 9, 2000**

(51) **LOC (7) Cl.** **08-01**

(52) **U.S. Cl.** **D8/68**

(58) **Field of Search** D8/61-70; 81/57.11,
81/54, 57.42; 173/170, 217, 169, 216, 213,
164, 168, 221, 48; 451/357-359, 344; 310/50

(56) **References Cited**

U.S. PATENT DOCUMENTS

D. 233,131	*	10/1974	Slany	D8/68
D. 289,004	*	3/1987	Somers	D8/68
D. 315,855	*	4/1991	Fushiya et al.	D8/68
D. 322,384	*	12/1991	Wan	D8/68
D. 322,547	*	12/1991	Kmetz	D8/68
D. 333,246	*	2/1993	Fushiya et al.	D8/68
D. 358,314		5/1995	Izumisawa	.	
D. 377,894		2/1997	Sung	.	
D. 378,891		4/1997	Sung	.	
D. 382,184		8/1997	Sung	.	
D. 384,562		10/1997	Sung	.	
D. 386,377		11/1997	Sung	.	
D. 396,620		8/1998	Sung	.	
D. 410,181		5/1999	Sung	.	

D. 410,830		6/1999	Pusateri et al.	.	
D. 430,995	*	9/2000	Izumisawa	D8/62
3,043,274	*	7/1962	Quackenbush	173/221
3,901,631	*	8/1975	Wickham et al.	418/70
4,380,270	*	4/1983	Ludwig	173/221
5,881,855		3/1999	Putney et al.	.	
5,913,370	*	6/1999	Chapelle et al.	173/169
5,954,142	*	9/1999	Rahm	173/169

OTHER PUBLICATIONS

Asian Sources Media Group Publication, Hardwares, Aug. 1992, p. 95.

* cited by examiner

Primary Examiner—Jeffrey Asch

(74) *Attorney, Agent, or Firm*—Greer, Burns & Crain, Ltd.

(57) **CLAIM**

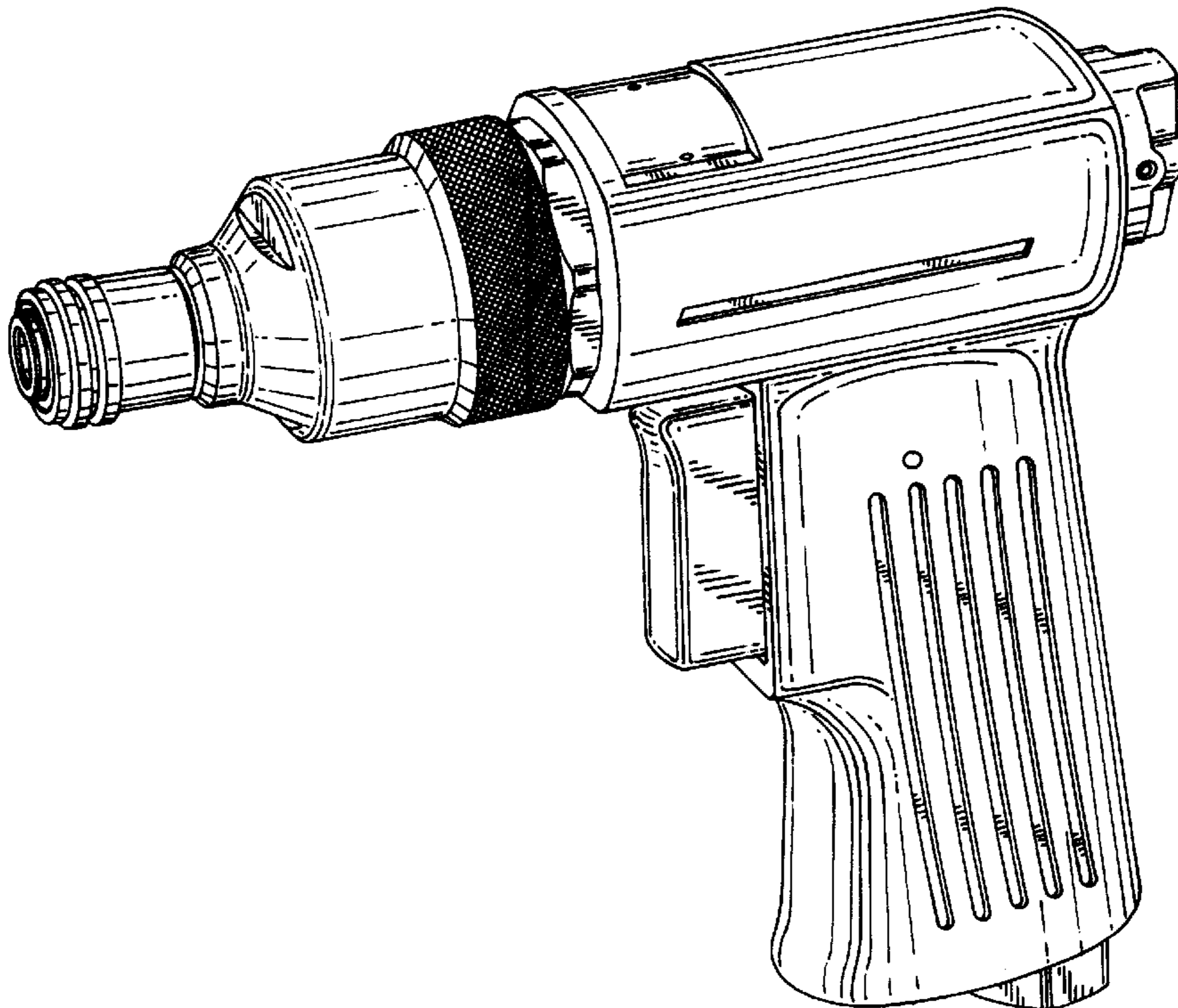
The ornamental design for a micro impact tool, as shown and described.

DESCRIPTION

FIG. 1 is a perspective view of a micro impact tool; FIG. 2 is a left side view, the right side being identical; FIG. 3 is a top view; FIG. 4 is a bottom view; FIG. 5 is a front end view; and, FIG. 6 is a back end view.

The broken lines showing the chuck for attaching screw-driver bits or socket sets are for illustrative purposes only and form no part of the claimed design.

1 Claim, 2 Drawing Sheets



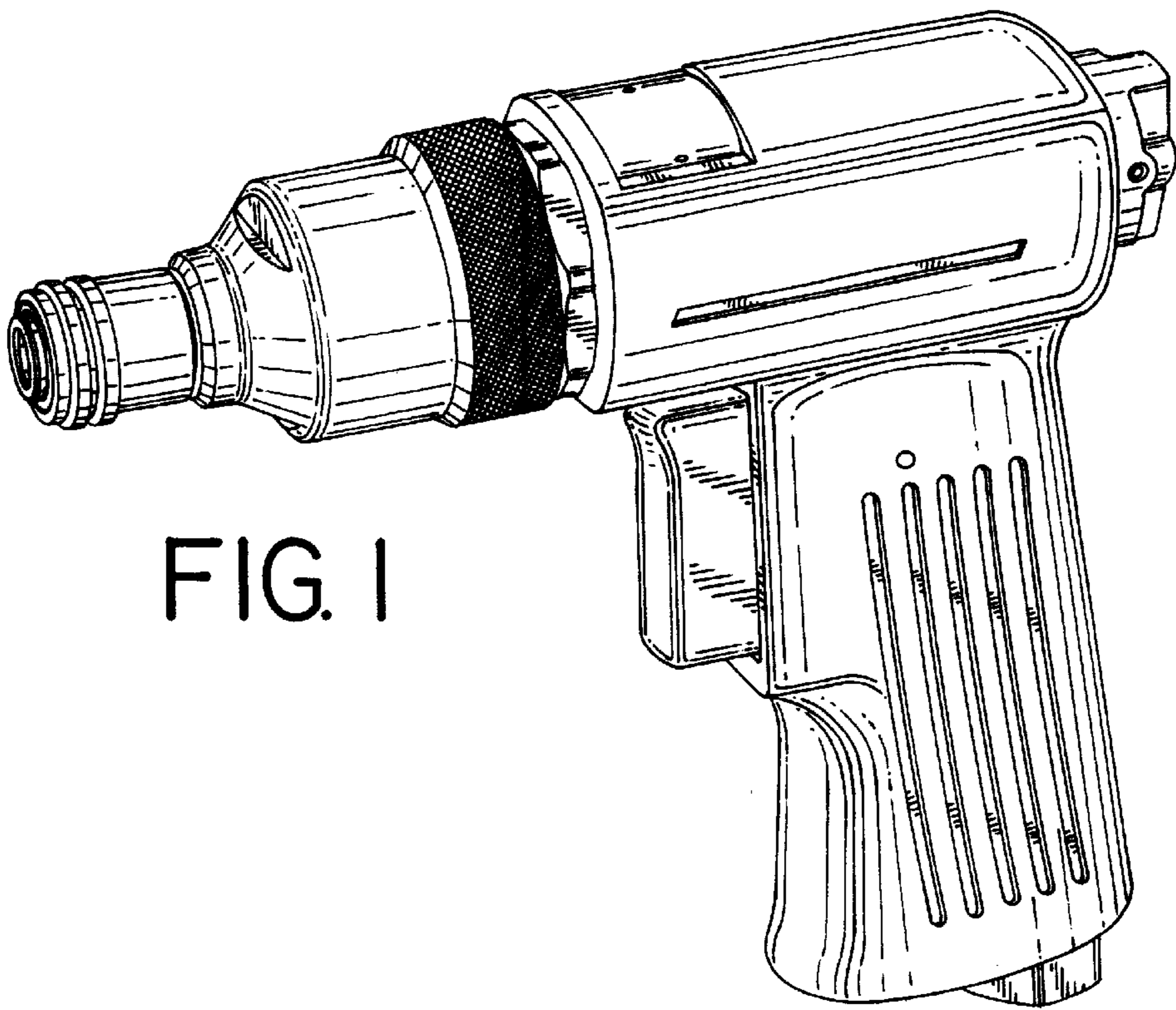


FIG. 1

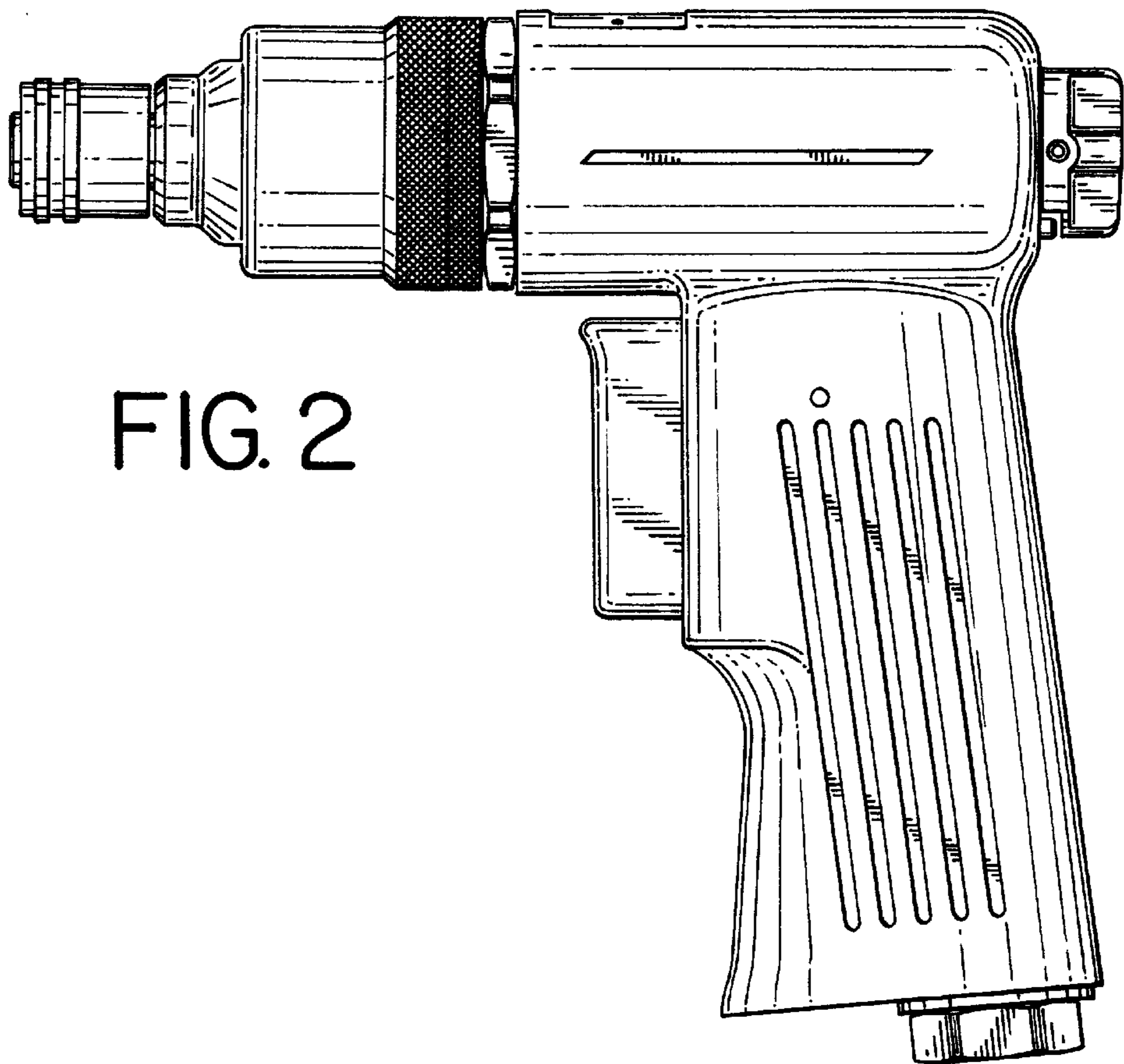


FIG. 2

FIG. 3

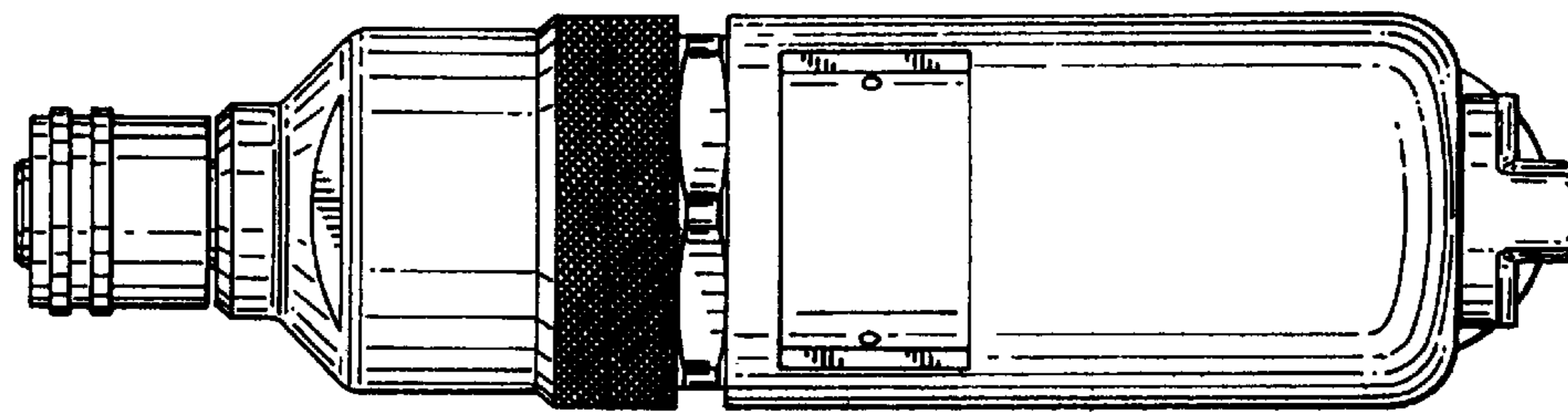


FIG. 4

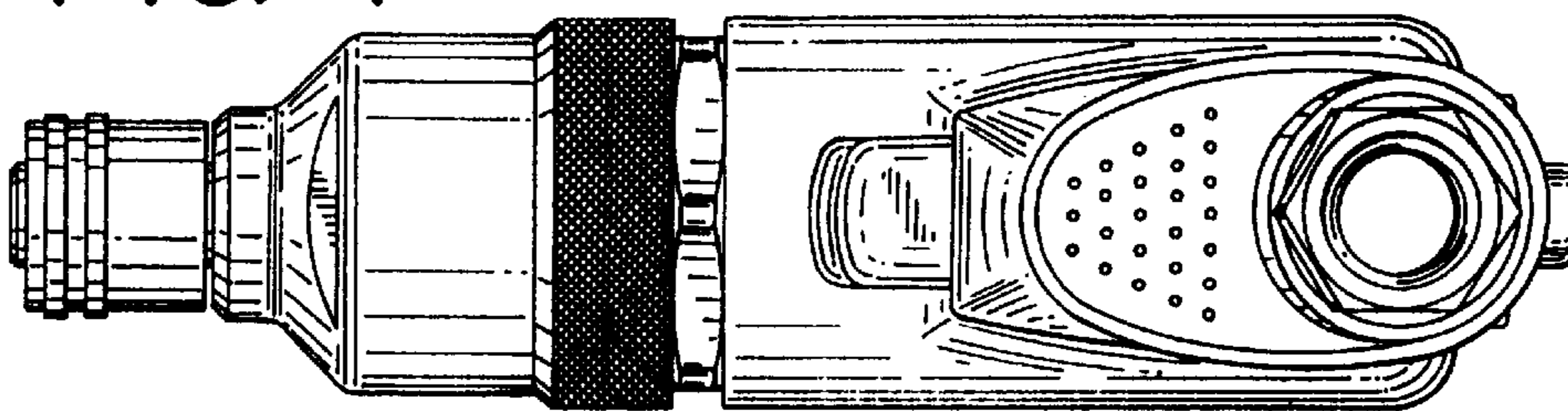


FIG. 5

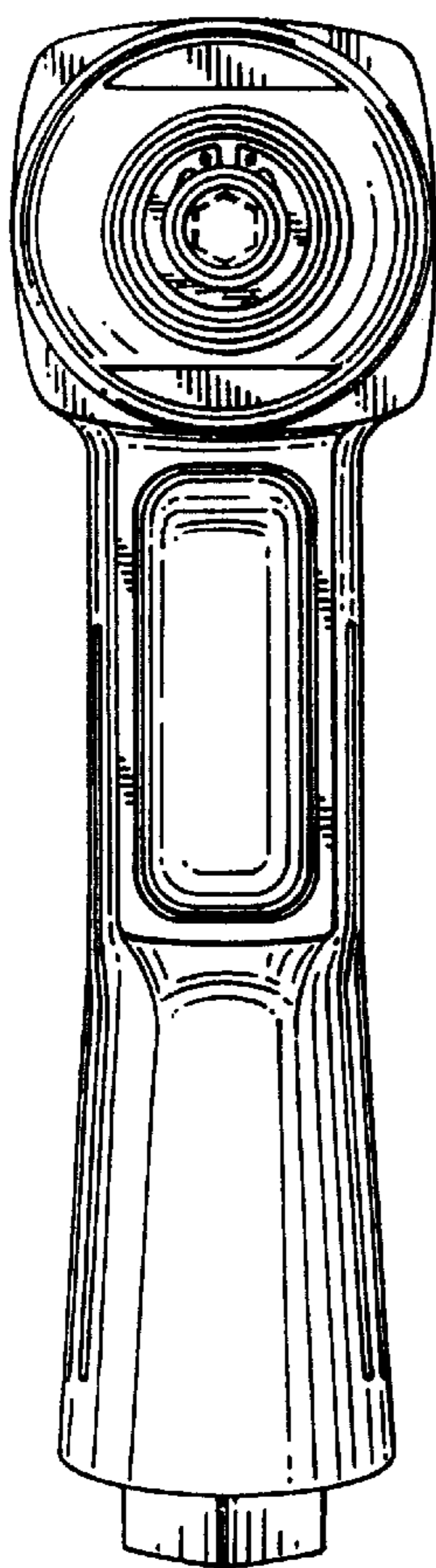
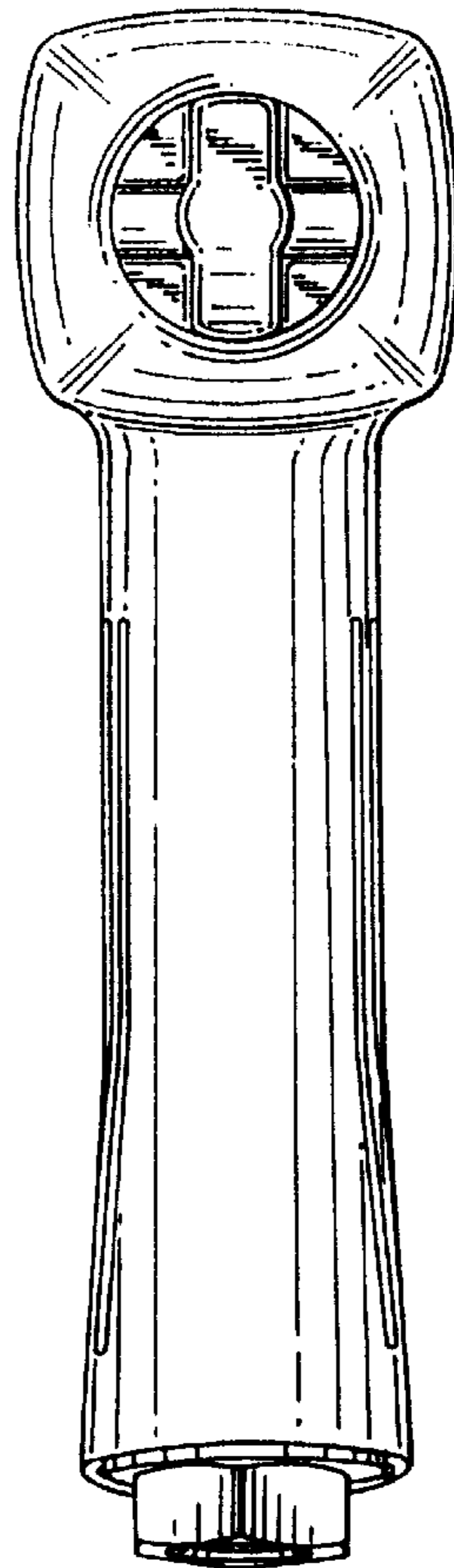


FIG. 6



UNITED STATES PATENT AND TRADEMARK OFFICE
CERTIFICATE OF CORRECTION

PATENT NO. : Des 447,033 S
DATED : August 28, 2001
INVENTOR(S) : Nobuyuki Izumisawa

Page 1 of 1

It is certified that error appears in the above-identified patent and that said Letters Patent is hereby corrected as shown below:

Title page,

Item [73], Assignee, delete "**Shinana**" and insert -- **Shinano** --.

Signed and Sealed this

Twenty-third Day of July, 2002

Attest:



Attesting Officer

JAMES E. ROGAN
Director of the United States Patent and Trademark Office