



US00D447031B1

(12) **United States Design Patent**
Oh

(10) **Patent No.:** **US D447,031 S**

(45) **Date of Patent:** **** Aug. 28, 2001**

(54) **HAND CARRY AIR TACKER**

(76) **Inventor:** **Wang Keaun Oh, 252-6**
Yulhyeon-dong Kangnam-gu, Seoul
(KR)

(**) **Term:** **14 Years**

(21) **Appl. No.:** **29/124,523**

(22) **Filed:** **Jun. 7, 2000**

(30) **Foreign Application Priority Data**

Apr. 20, 2000 (KR) 00-10200

(51) **LOC (7) Cl.** **08-05**

(52) **U.S. Cl.** **D8/63**

(58) **Field of Search** D8/61-70, 49;
81/57.11, 54, 57.42; 173/170; 227/8, 66,
130

(56) **References Cited**

U.S. PATENT DOCUMENTS

- D. 219,259 * 11/1970 Perkins D8/61
- D. 260,354 * 8/1981 Proops et al. D8/61
- D. 316,022 * 4/1991 Moraht D8/69
- D. 338,606 * 8/1993 Oda D8/69
- D. 348,382 * 7/1994 Kaiser D8/70
- D. 353,664 * 12/1994 Eminger et al. D8/69
- D. 416,182 * 11/1999 Kaiser et al. D8/69
- D. 435,770 * 1/2001 Arai D8/68
- 5,083,694 * 1/1992 Lemos 227/8
- 5,238,168 * 8/1993 Oda 227/123
- 5,240,161 * 8/1993 Kaneko 227/109

- 5,259,465 * 11/1993 Mukoyama 173/168
- 5,322,189 * 6/1994 Oda 221/227
- 5,551,620 * 9/1996 Vallee 227/8
- 6,016,946 * 1/2000 Phillips et al. 227/10
- 6,045,024 * 4/2000 Phillips 227/130
- 6,199,739 * 3/2001 Mukoyama et al. 227/8

OTHER PUBLICATIONS

Unicatch International Inc., advertisement, Power Fastener Tools at top right side of page.*

Central Fastener Co., LTD. advertisement, Power Fastener Tools at right side of page.*

* cited by examiner

Primary Examiner—Jeffrey Asch

(74) *Attorney, Agent, or Firm*—Cheryl H. Agris

(57) **CLAIM**

The ornamental design for a hand carry air tacker, as shown and described.

DESCRIPTION

FIG. 1 is a perspective view of the hand carry air tacker showing my new design.

FIG. 2 is a front view of the above tacker.

FIG. 3 is a back view of the above tacker.

FIG. 4 is a flat view of the above tacker.

FIG. 5 is a bottom view of the above tacker.

FIG. 6 is a left side view of the above tacker; and,

FIG. 7 is a right side view of the above tacker.

1 Claim, 5 Drawing Sheets

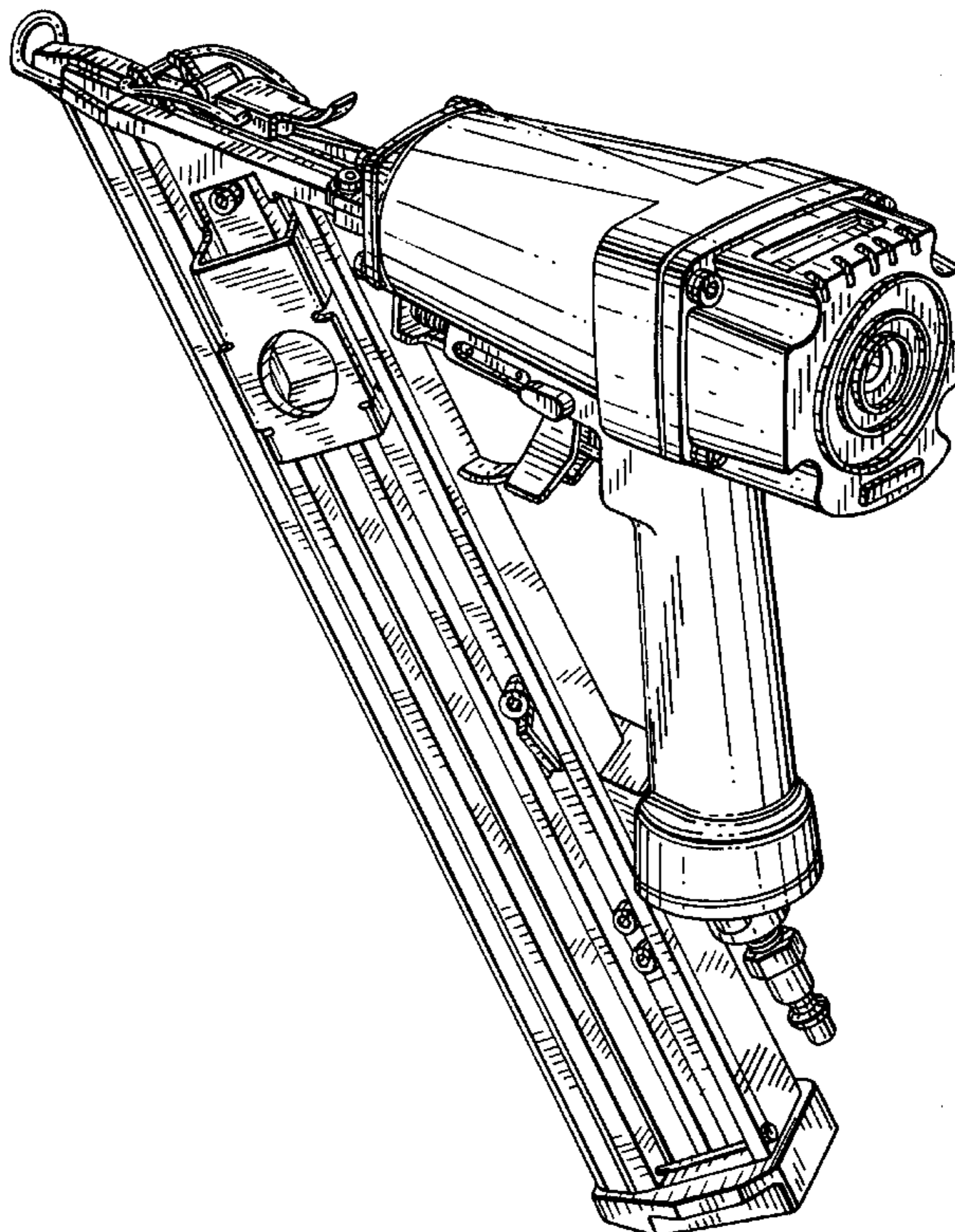


FIG. 1

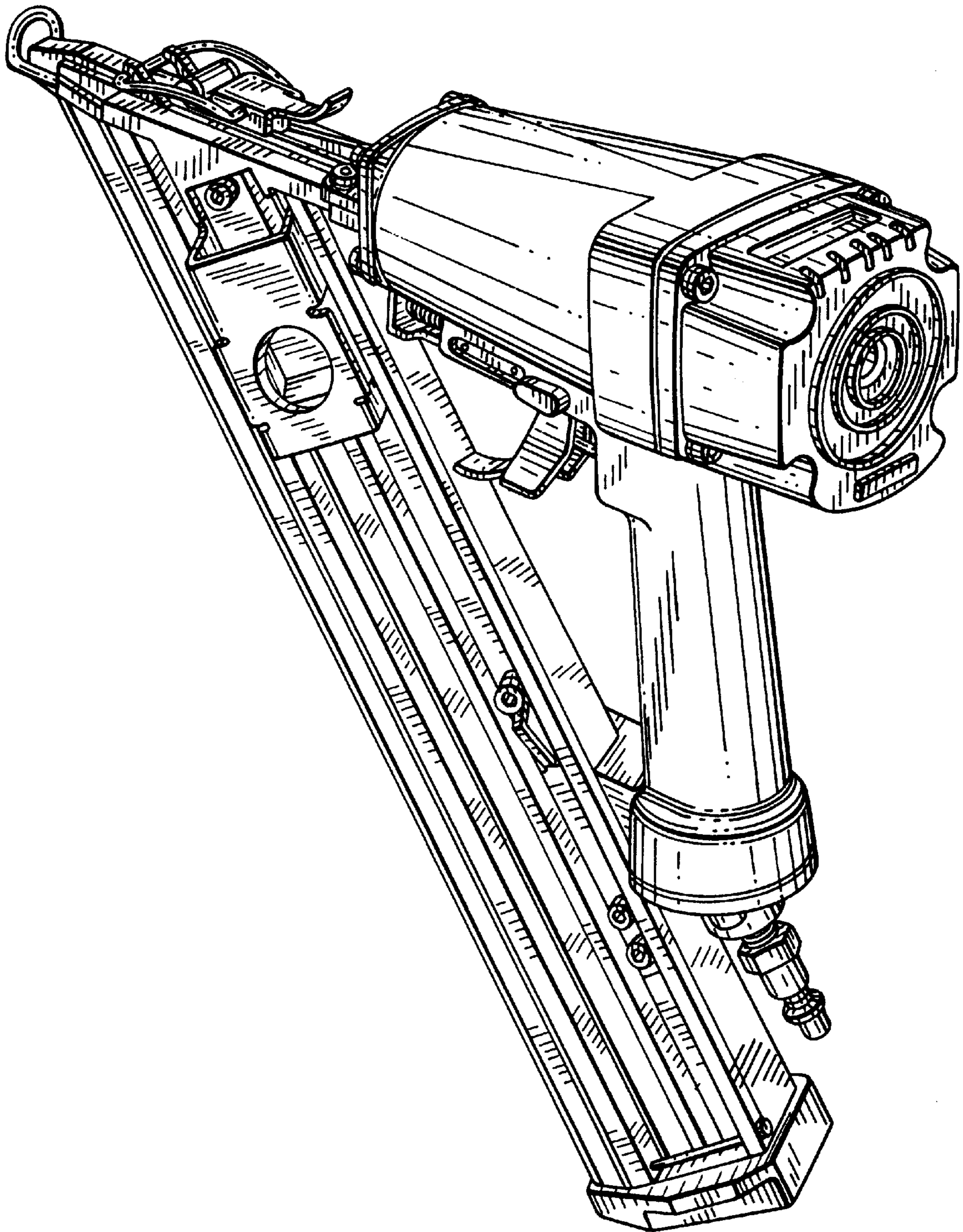


FIG. 2

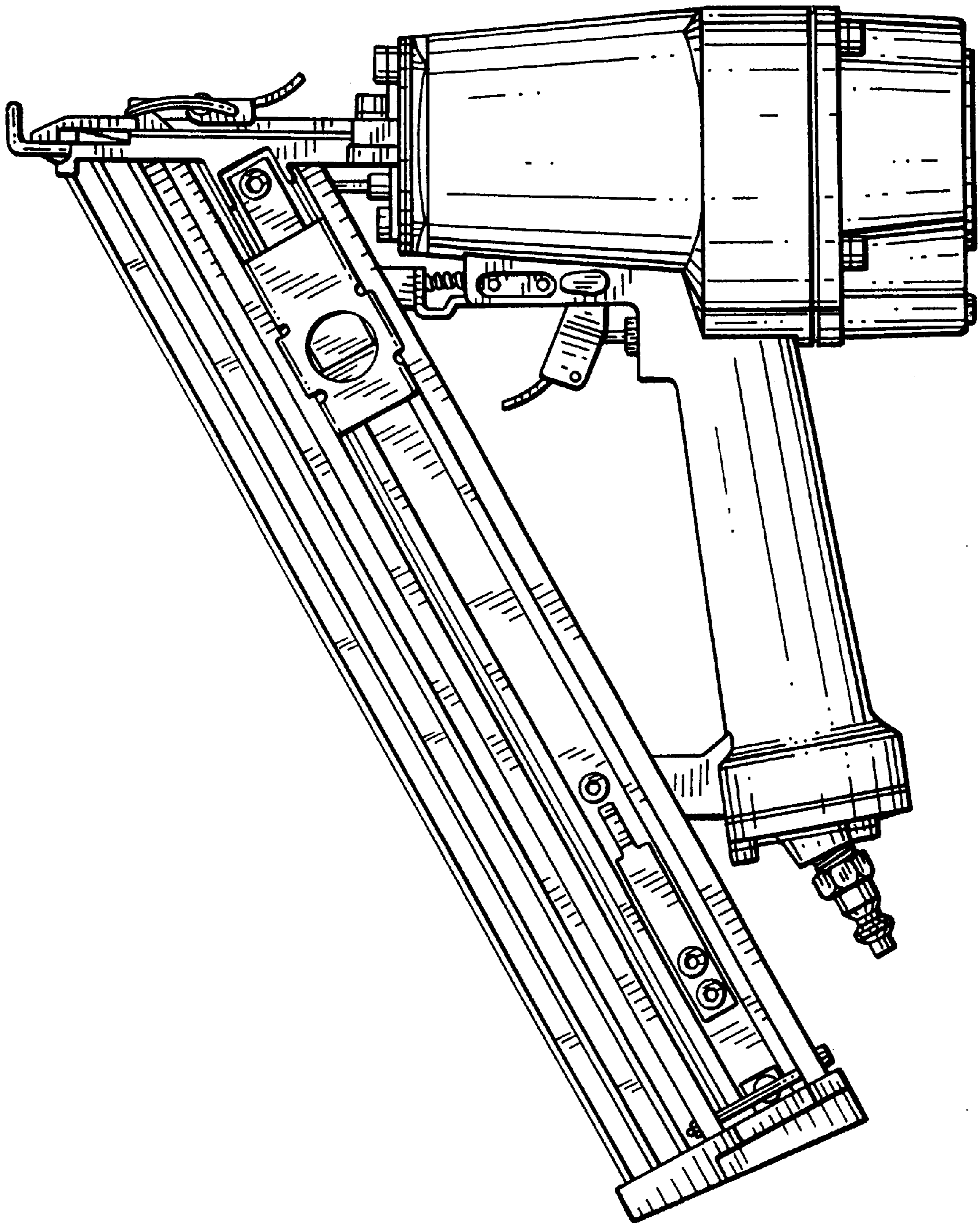
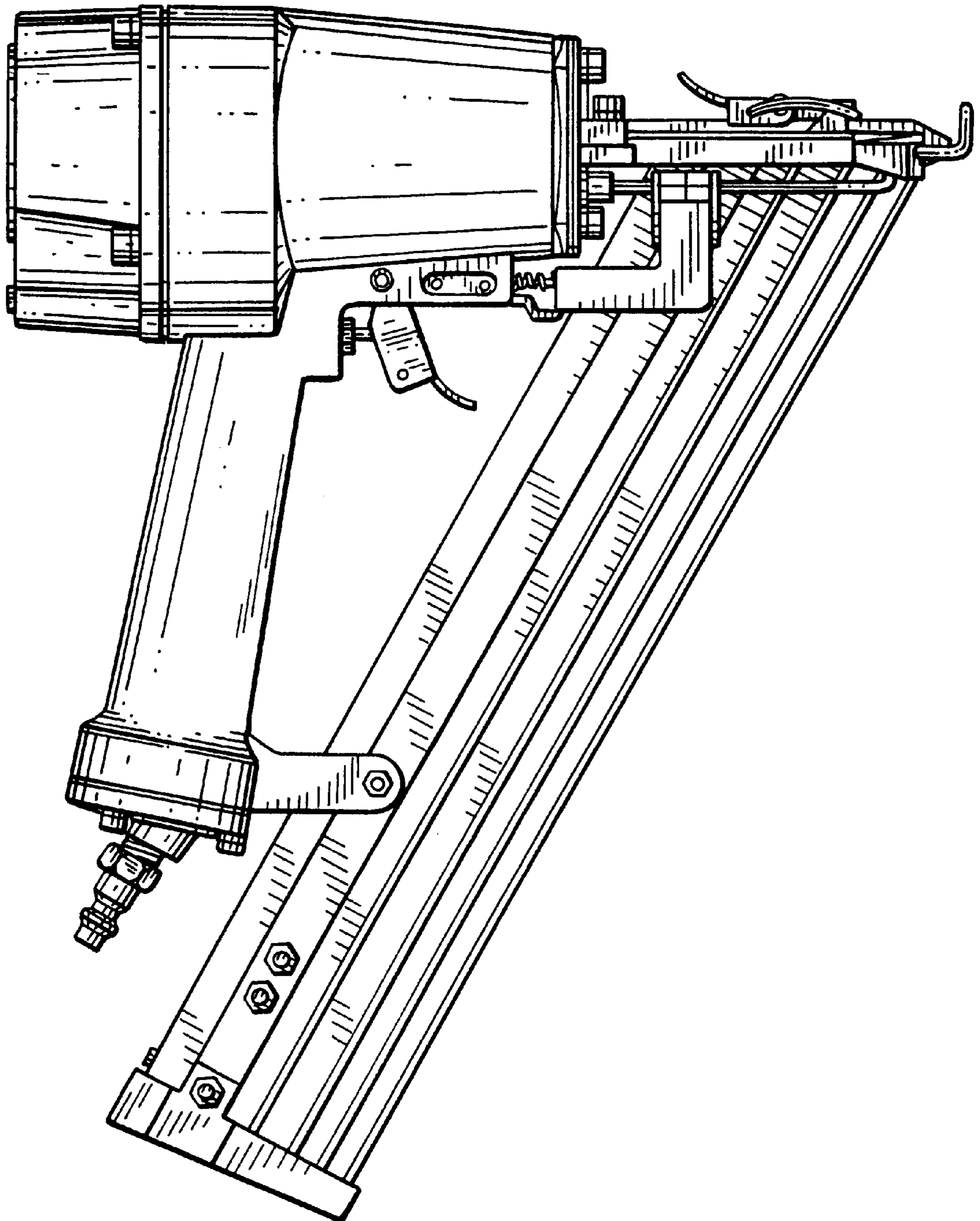


FIG. 3



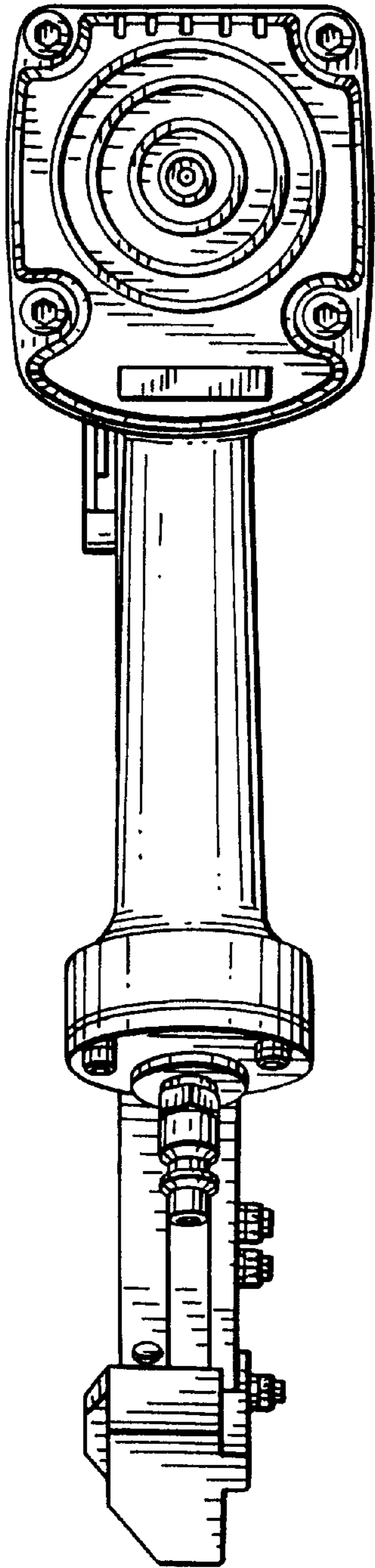


FIG. 5

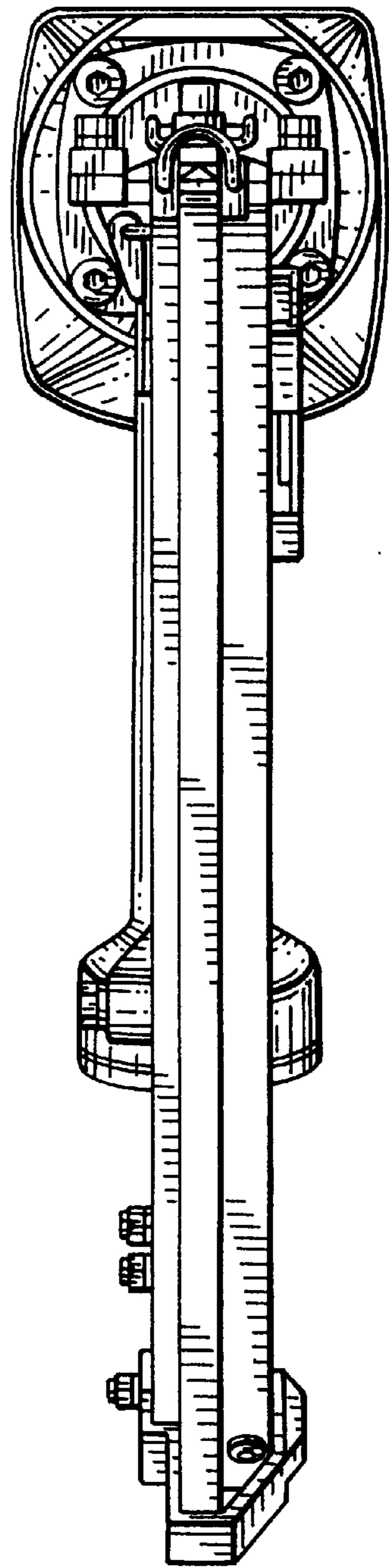


FIG. 4

FIG. 6

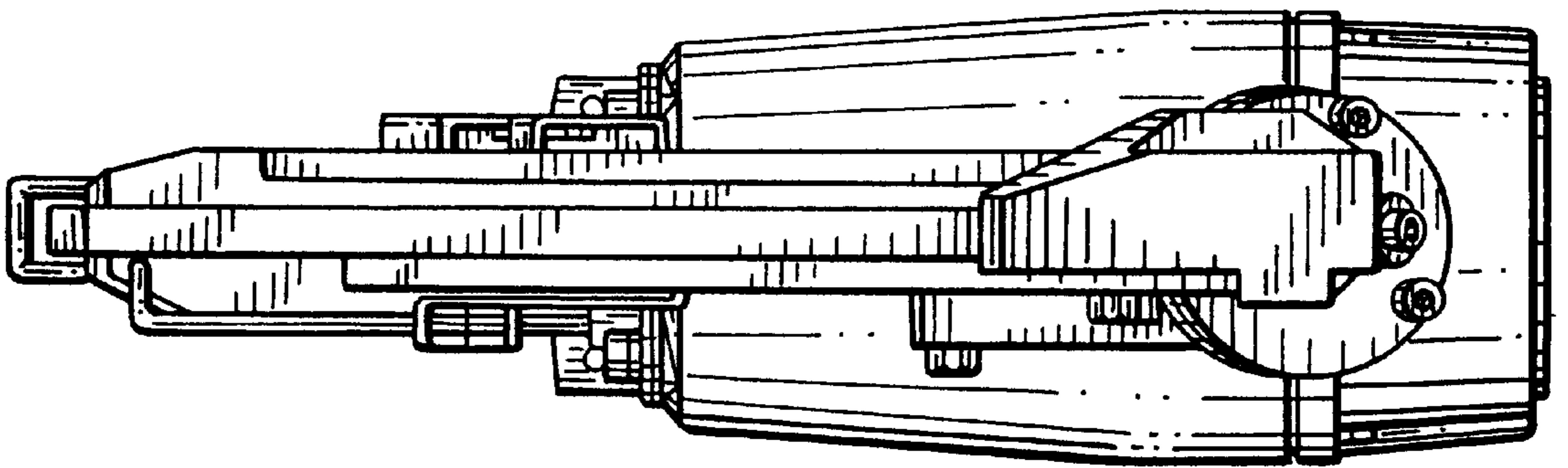
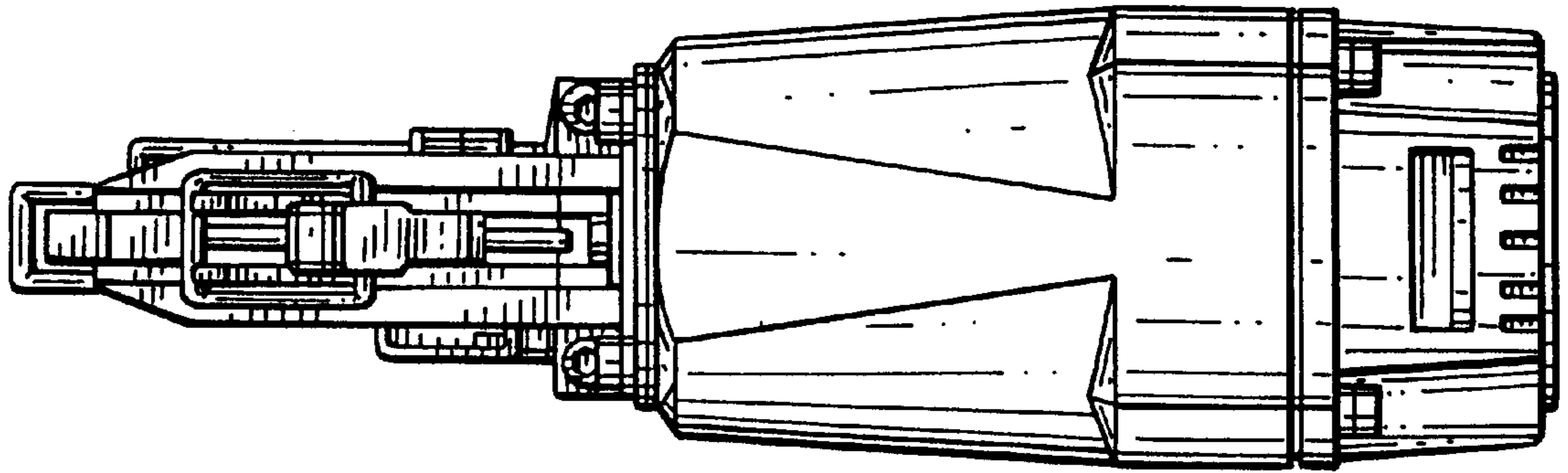


FIG. 7