



US00D447030B1

(12) **United States Design Patent**  
**Chen**

(10) **Patent No.:** **US D447,030 S**

(45) **Date of Patent:** **\*\* Aug. 28, 2001**

(54) **ELECTRIC DRILLING MACHINE**

(76) **Inventor:** **Mei-Tung Chen**, 1F, No. 228, Chung Ching N. Rd. Sec. 3, Taipei (TW)

(\*\*) **Term:** **14 Years**

(21) **Appl. No.:** **29/136,695**

(22) **Filed:** **Feb. 7, 2001**

(51) **LOC (7) Cl.** ..... **08-01**

(52) **U.S. Cl.** ..... **D8/61**

(58) **Field of Search** ..... D8/61-70; 81/57.11, 81/469, 54, 57.42, 474; 173/170, 217, 169, 164, 213, 216; 408/239 R, 124; 15/3.53; 451/344, 357-359; 310/50; 409/182

(56) **References Cited**

**U.S. PATENT DOCUMENTS**

- D. 295,824 \* 5/1988 Hoshino et al. .... D8/62
- D. 310,470 \* 9/1990 Tohdoh ..... D8/62
- D. 364,790 \* 12/1995 Duennes ..... D8/61

- D. 437,757 \* 2/2001 Thomson et al. .... D8/61
- D. 438,076 \* 2/2001 Wikle et al. .... D8/61
- 5,829,931 \* 11/1998 Doumani ..... 409/182

\* cited by examiner

*Primary Examiner*—Jeffrey Asch

(74) *Attorney, Agent, or Firm*—Dougherty & Troxell

(57) **CLAIM**

The ornamental design for an electric drilling machine, as shown and described.

**DESCRIPTION**

FIG. 1 is a perspective view of the electric drilling machine showing the new design;

FIG. 2 is a front view of the new design;

FIG. 3 is a rear view of the new design;

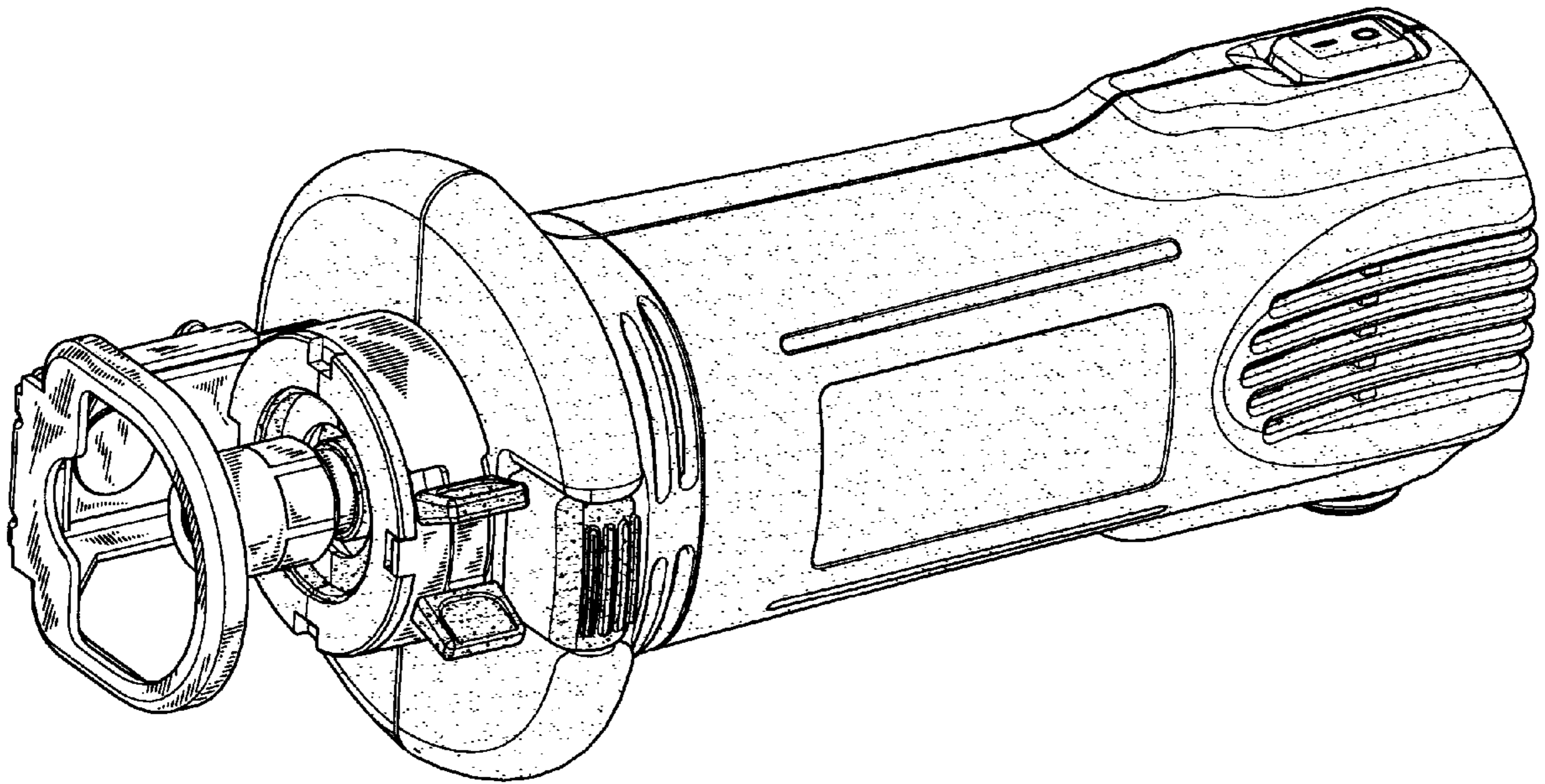
FIG. 4 is a left view of the new design;

FIG. 5 is a right view of the new design;

FIG. 6 is a top view of the new design; and,

FIG. 7 is a bottom view of the new design.

**1 Claim, 6 Drawing Sheets**



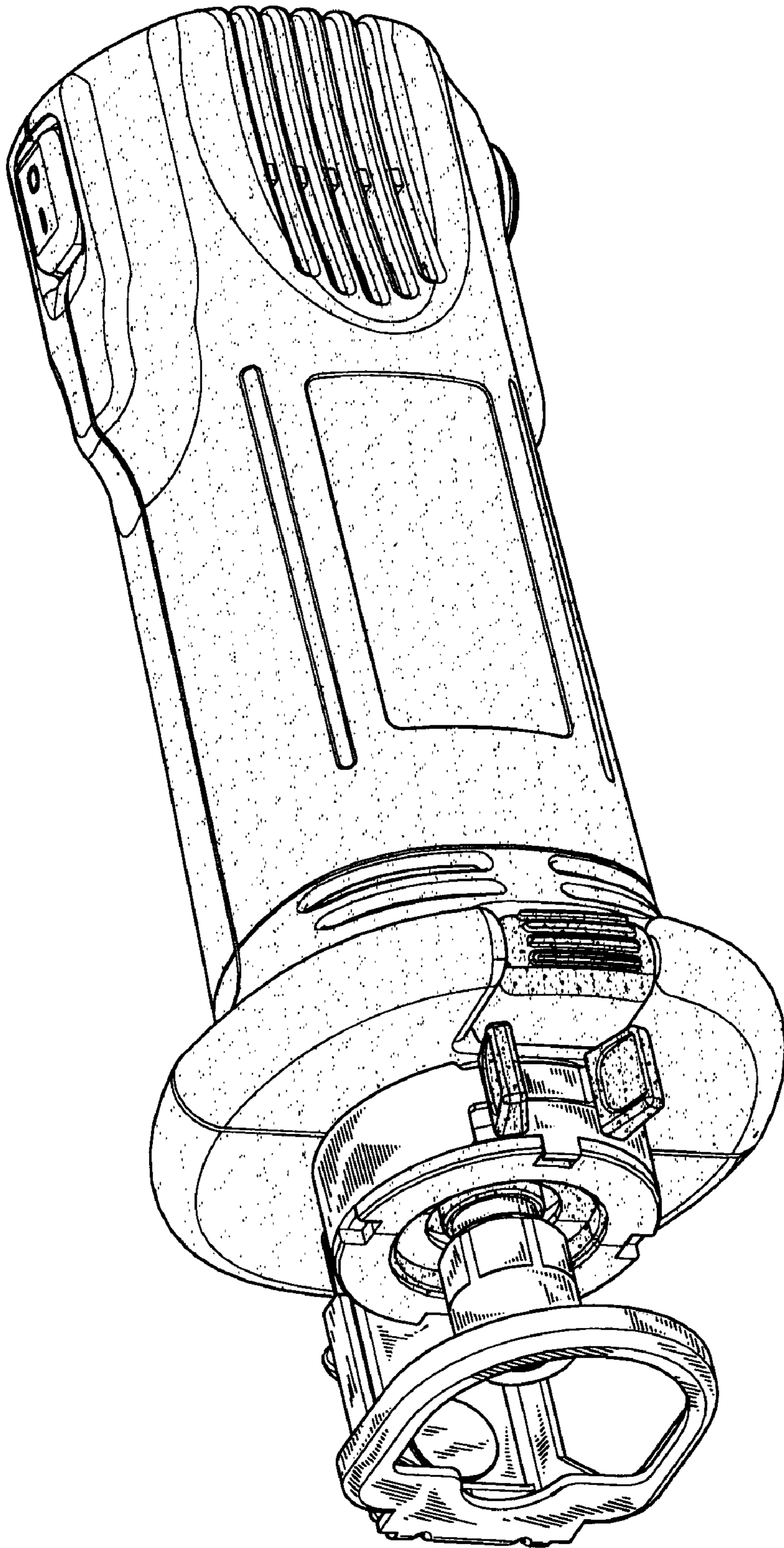


Fig. 1

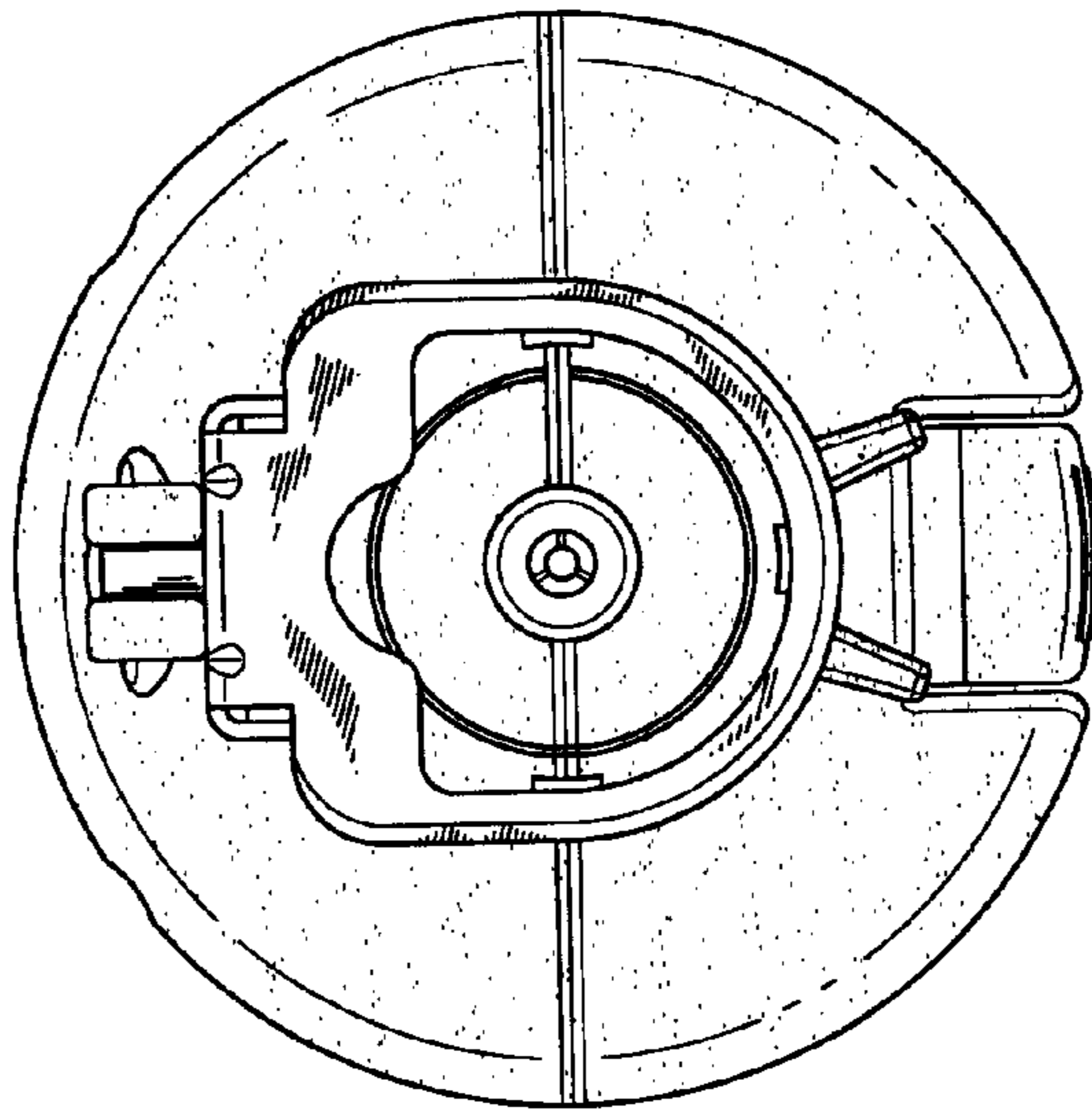


Fig. 2

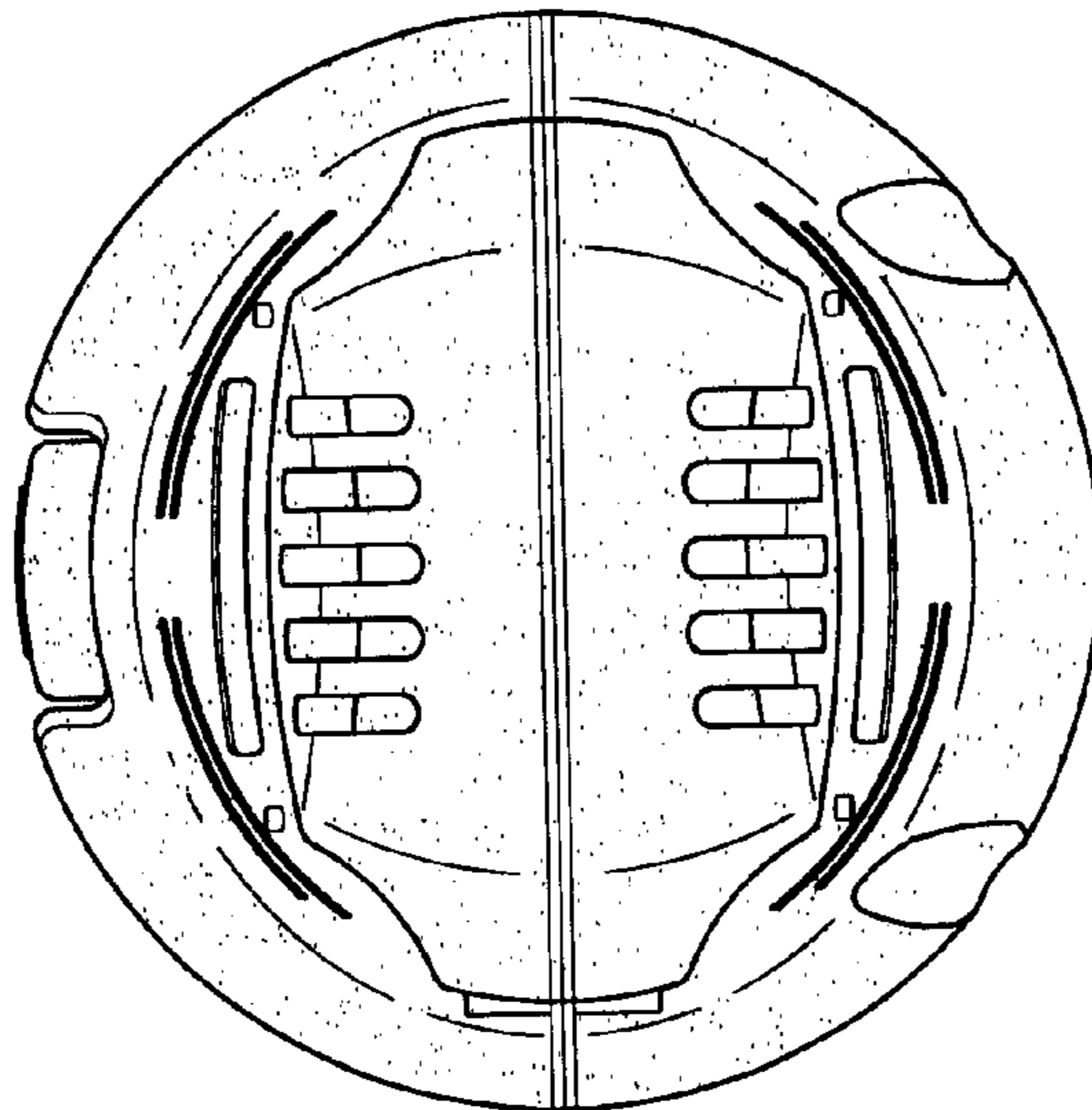


Fig. 3



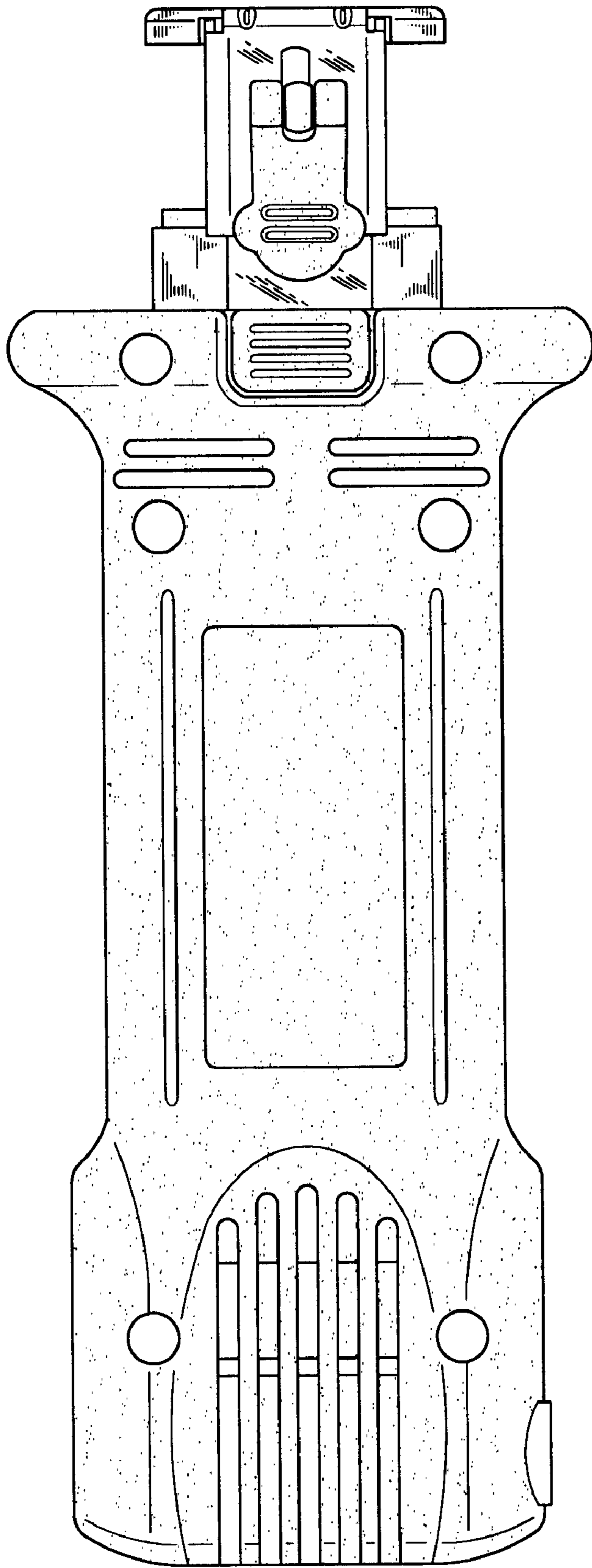


Fig. 4

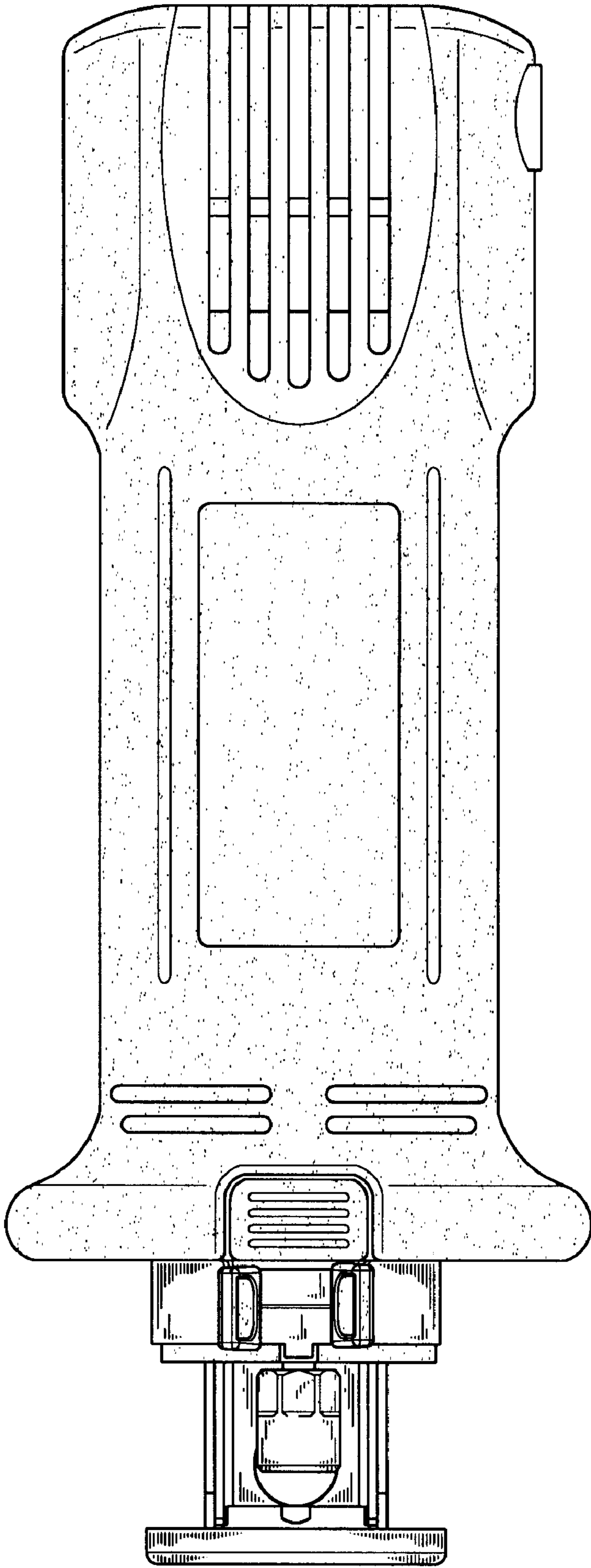


Fig. 5

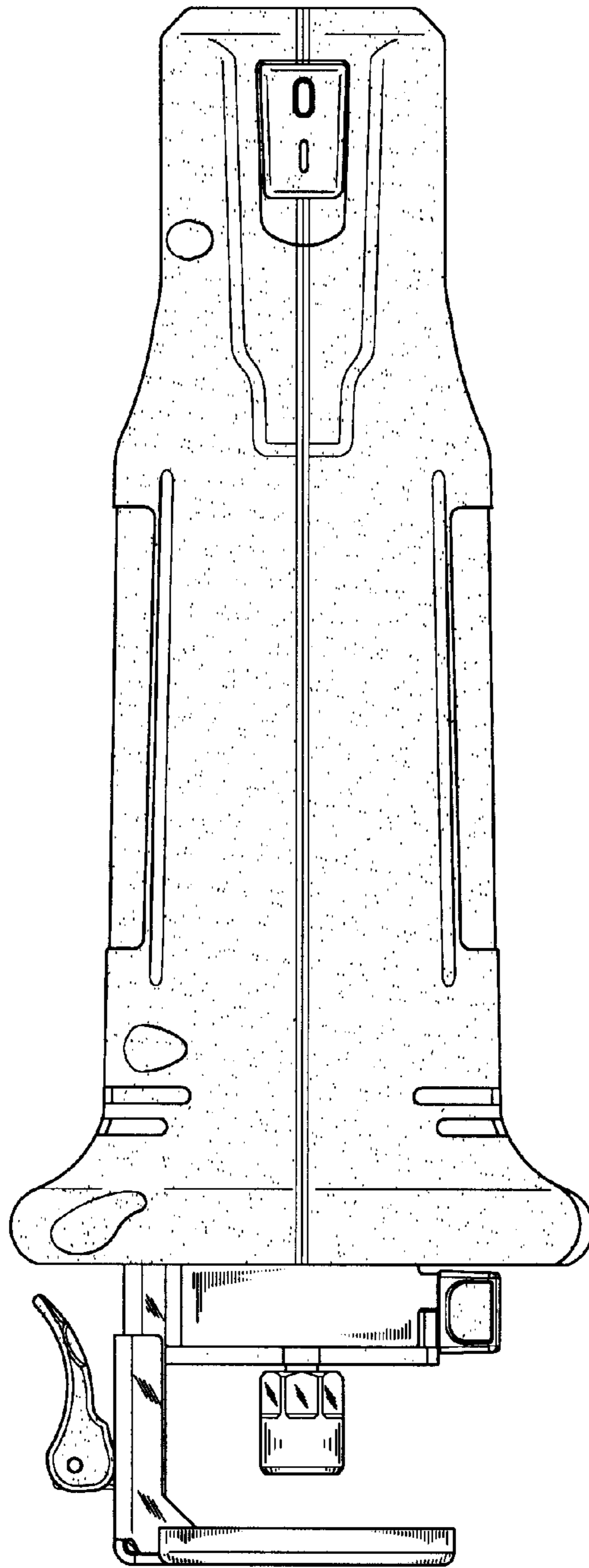


Fig. 6

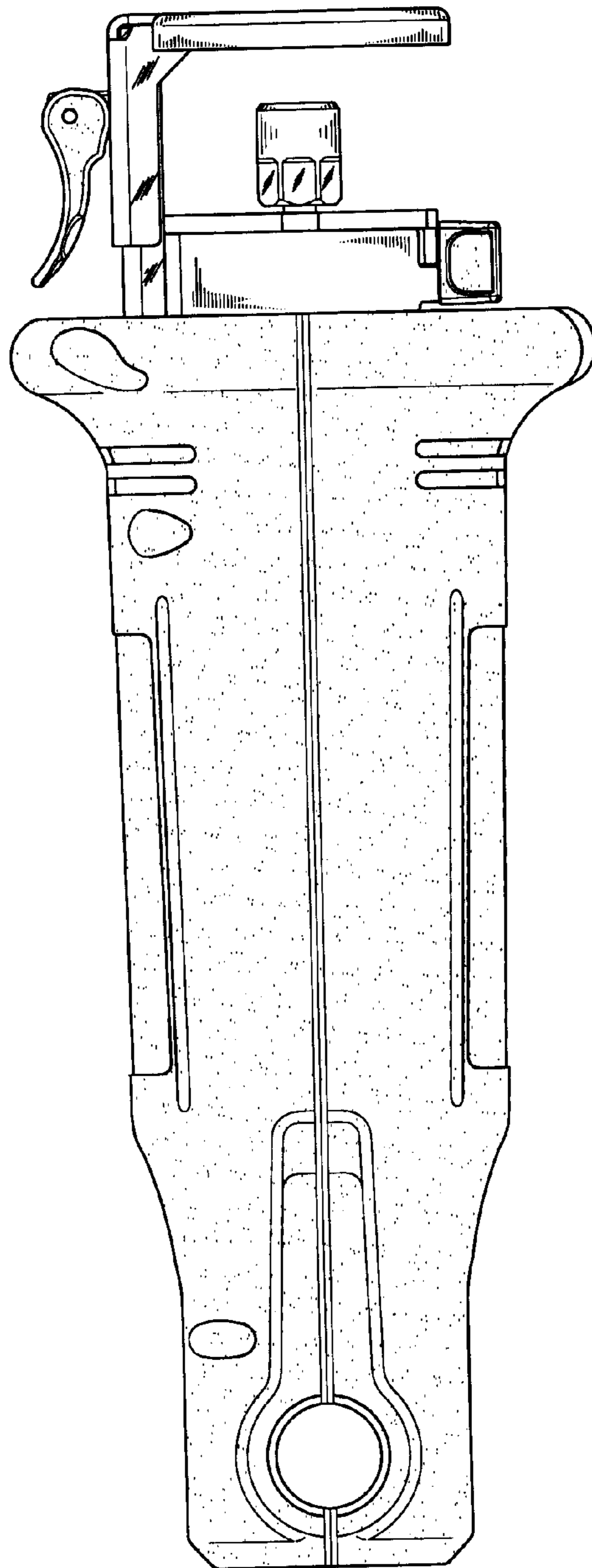


Fig. 7