



US00D447029B1

(12) **United States Design Patent**
Sun et al.

(10) **Patent No.:** **US D447,029 S**

(45) **Date of Patent:** **** Aug. 28, 2001**

(54) **PNEUMATIC TOOL**

(76) Inventors: **Yung Yung Sun; Chuan Ching Chen,**
both of P.O. Box 2103, Taichung (TW)

(**) Term: **14 Years**

(21) Appl. No.: **29/134,224**

(22) Filed: **Dec. 18, 2000**

(51) **LOC (7) Cl.** **08-01**

(52) **U.S. Cl.** **D8/61**

(58) **Field of Search** D8/61-70; 81/57.11,
81/57.13, 54, 57.42, 469, 474; 173/170,
217, 169, 168, 164, 213, 216, 48; 408/239 R,
124; 451/344, 357-359, 295; 310/50

(56) **References Cited**

U.S. PATENT DOCUMENTS

D. 320,541	*	10/1991	Staubitz et al.	D8/61
D. 332,560	*	1/1993	Mikiya	D8/62
D. 333,766	*	3/1993	Albert et al.	D8/62
D. 334,124	*	3/1993	Izumisawa	D8/61
D. 334,125	*	3/1993	Izumisawa	D8/61
D. 351,772	*	10/1994	Price	D8/62
D. 387,960	*	12/1997	Sung	D8/61
D. 389,025	*	1/1998	Sung	D8/61
D. 408,241	*	4/1999	Jansson	D8/61
D. 408,243	*	4/1999	Izumisawa	D8/61
D. 411,424	*	6/1999	Saito	D8/62
D. 438,077	*	2/2001	Schmid	D8/61
4,411,173	*	10/1983	Mixer	60/695

4,474,077	*	10/1984	Debelius	74/606 R
4,641,762	*	2/1987	Overy	220/4.21
4,770,316	*	9/1988	Overy	220/677
4,974,475	*	12/1990	Lord et al.	81/57.13
5,207,028	*	5/1993	Timmons	451/342
6,120,362	*	9/2000	Etter et al.	451/354

* cited by examiner

Primary Examiner—Jeffrey Asch

(57) **CLAIM**

The ornamental design for pneumatic tool, as shown and as described.

DESCRIPTION

FIG. 1 is a perspective view of pneumatic tool showing my design;

FIG. 2 is a front view therefore;

FIG. 3 is a rear view thereof;

FIG. 4 is a left side view thereof;

FIG. 5 is a right side view thereof;

FIG. 6 is a top view thereof;

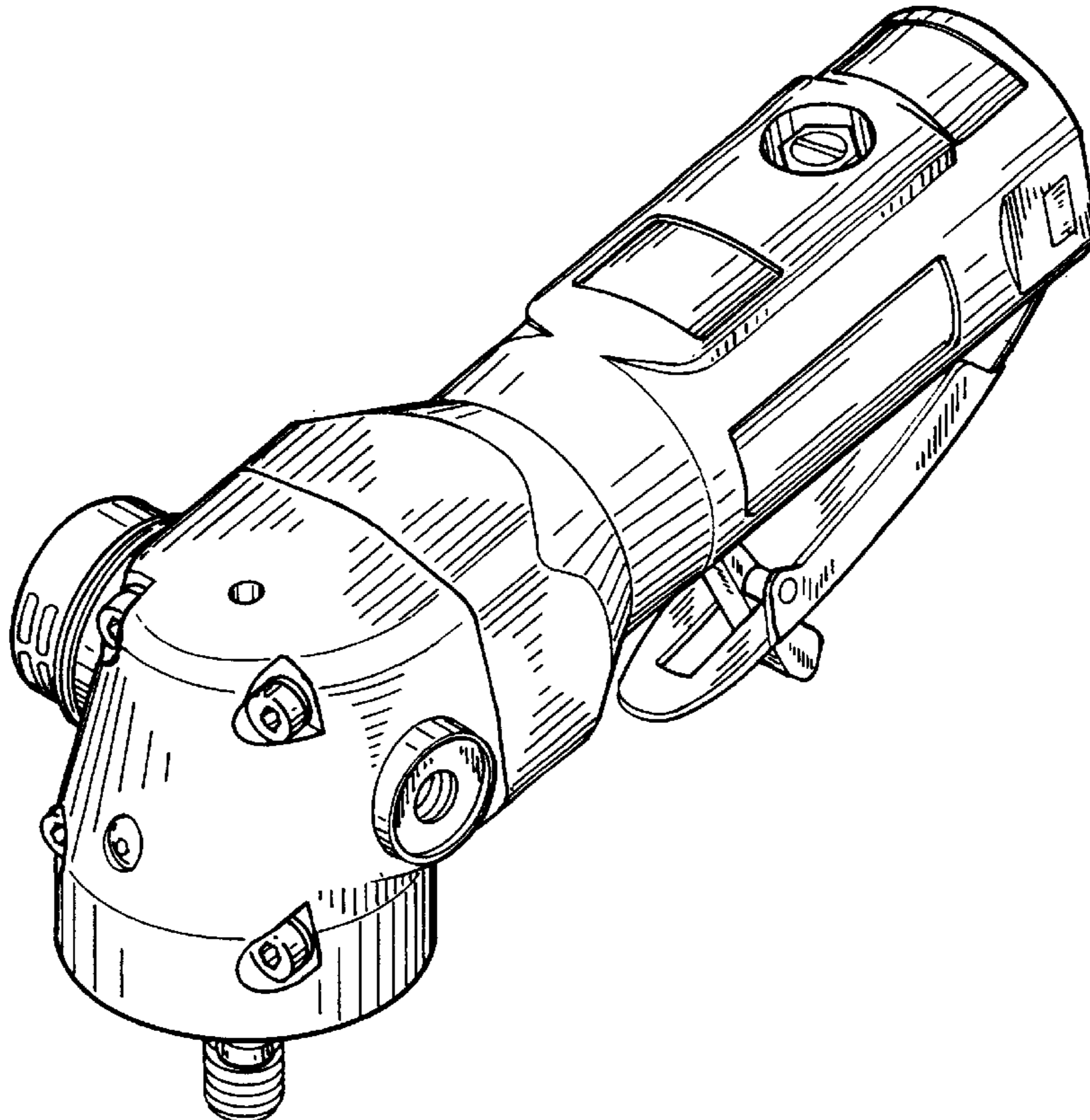
FIG. 7 is a bottom view thereof;

FIG. 8 is a perspective view thereof with attachments shown in broken lines; and,

FIG. 9 is a perspective view thereof with attachments shown in broken lines.

The broken line showings of attachments in FIGS. 8 and 9 are for illustrative purposes only and form no part of the claimed design.

1 Claim, 8 Drawing Sheets



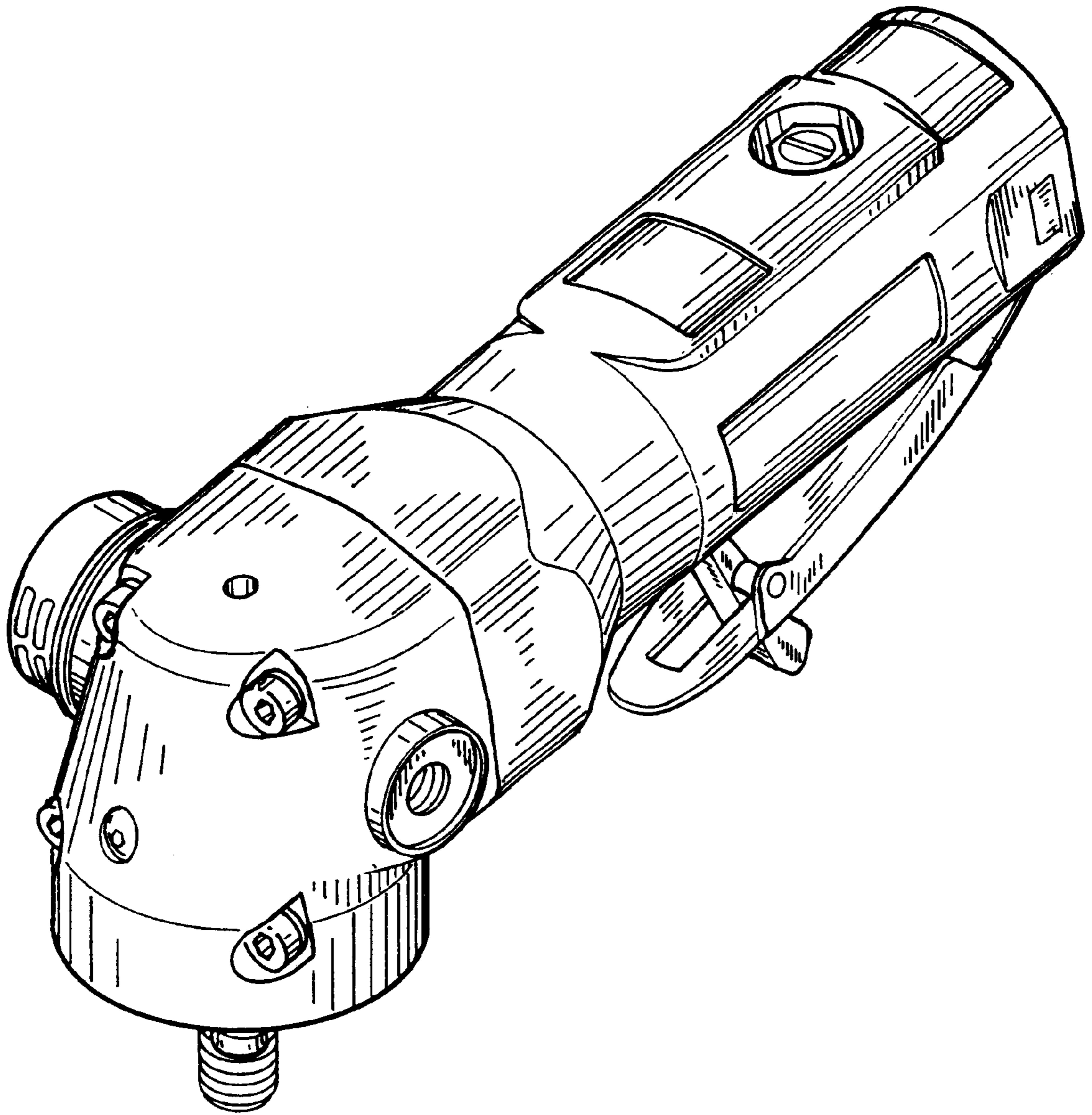


FIG . 1

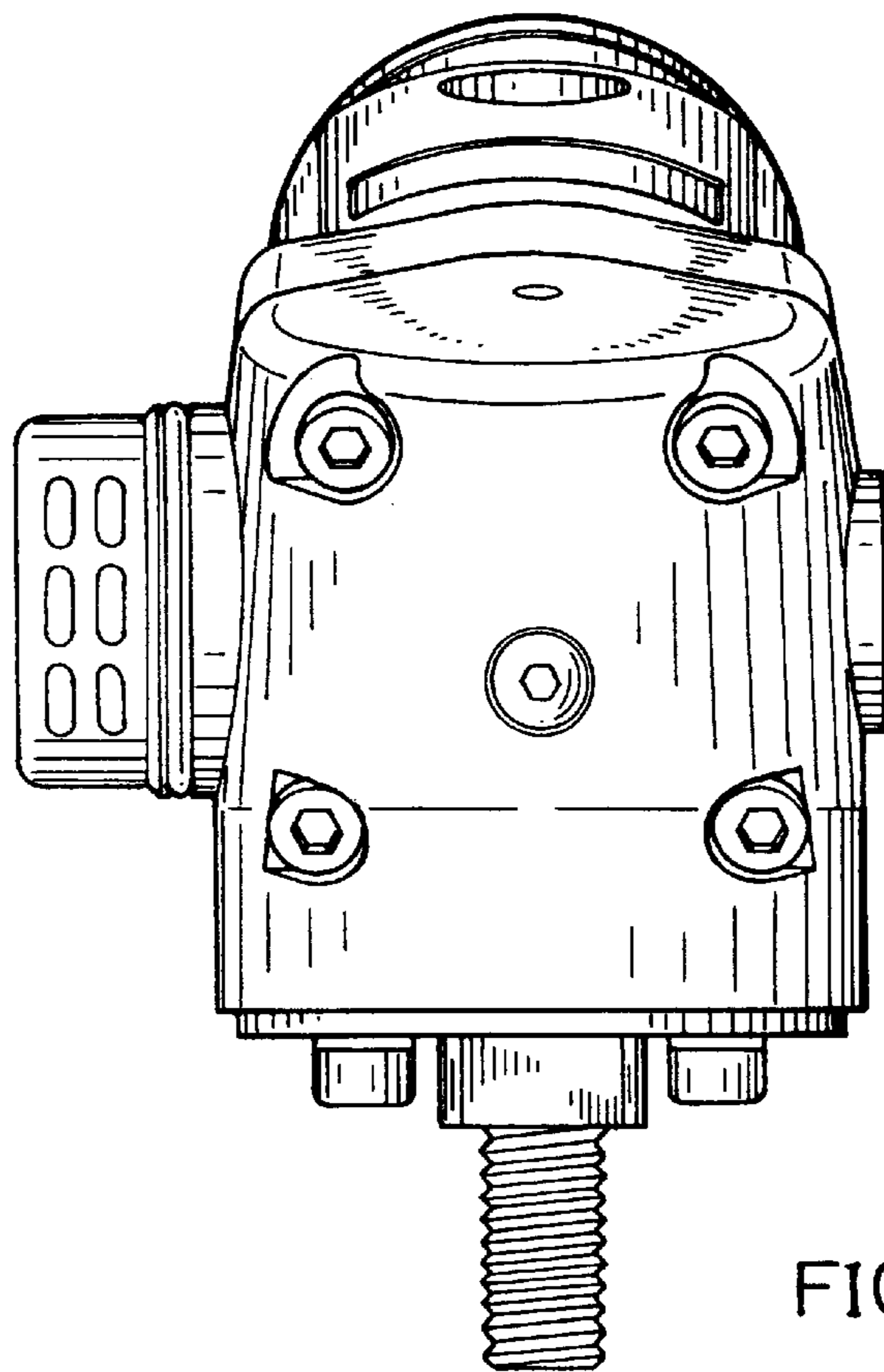


FIG . 2

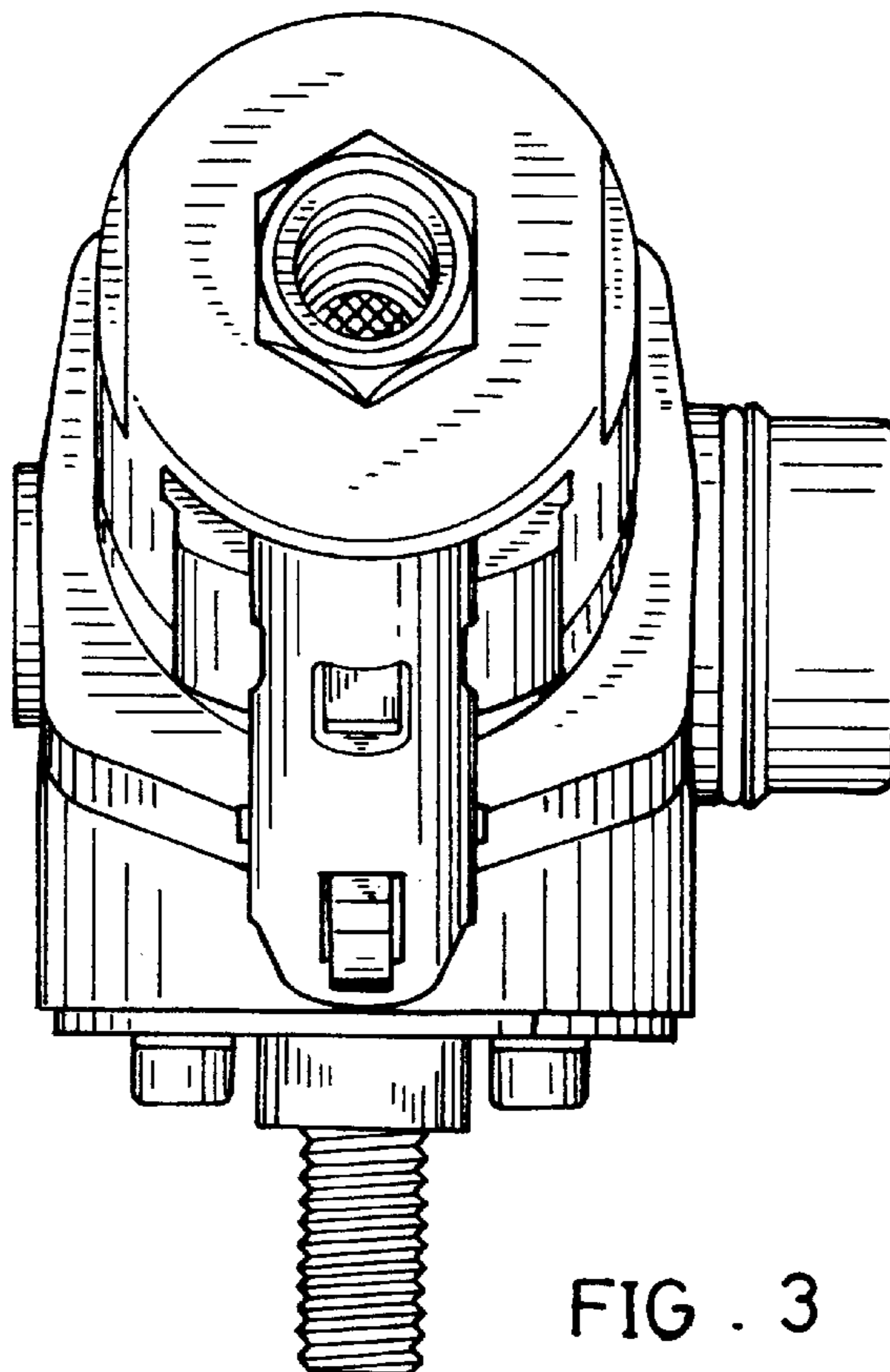


FIG . 3

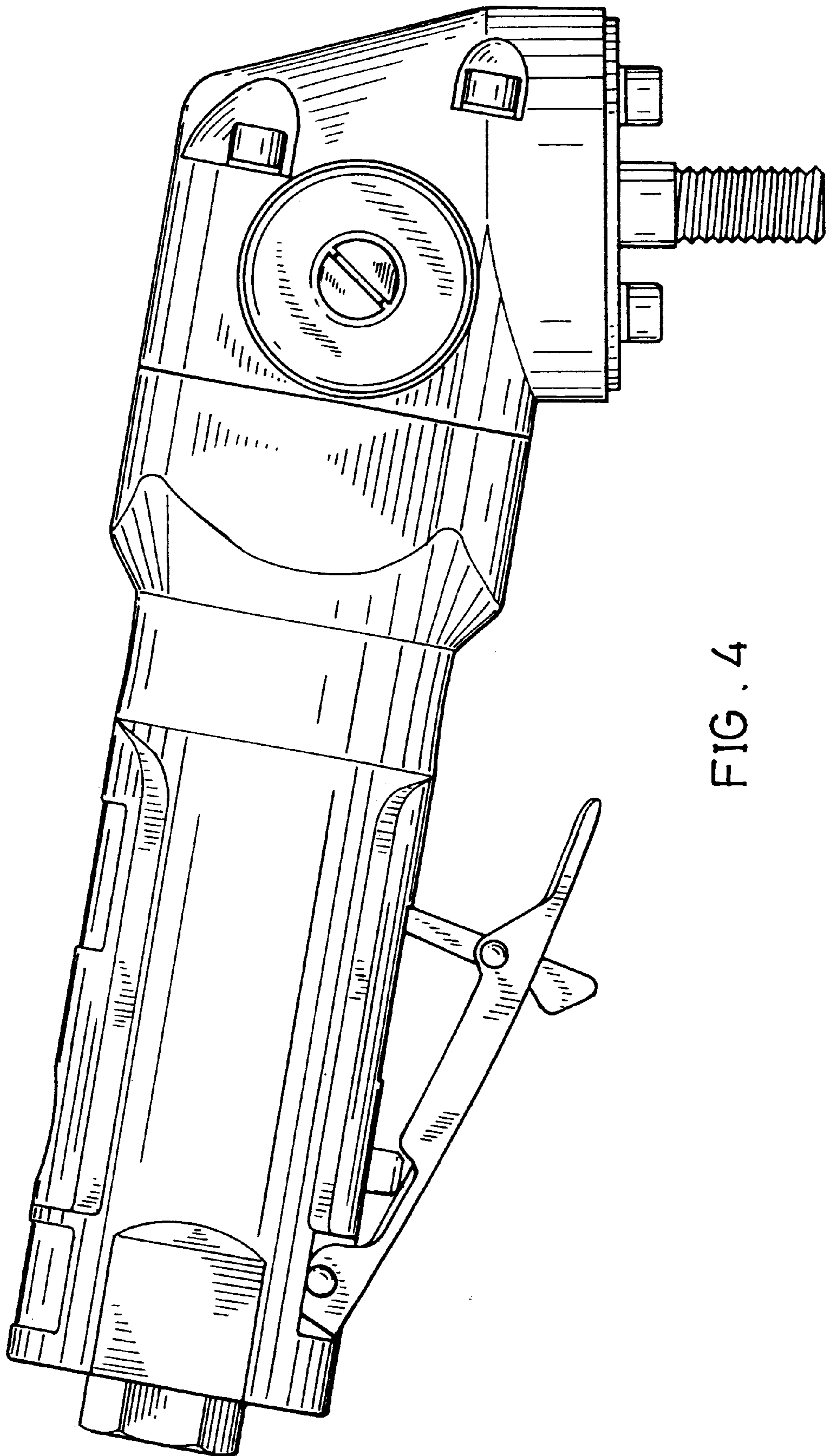


FIG. 4

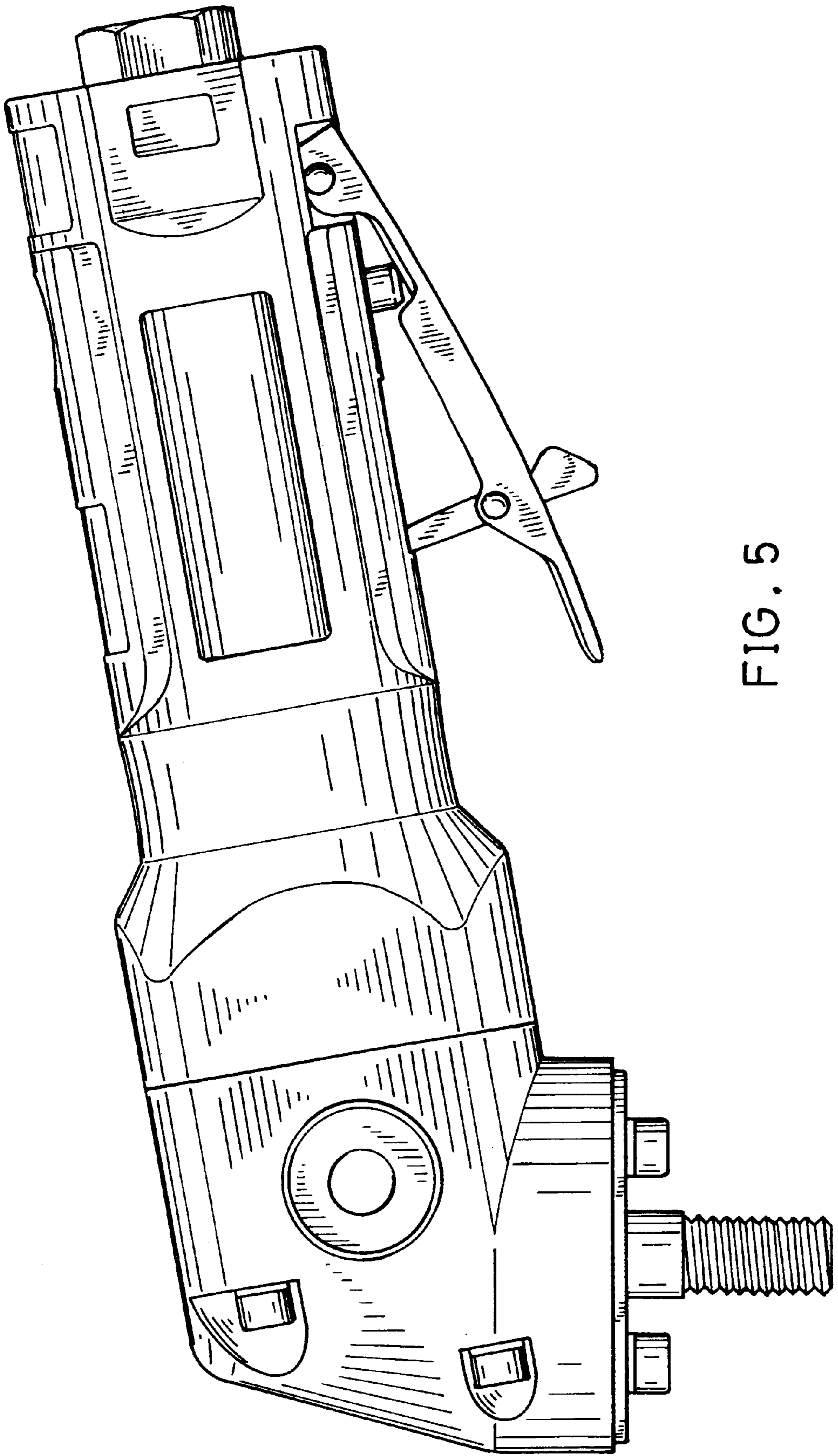


FIG. 5

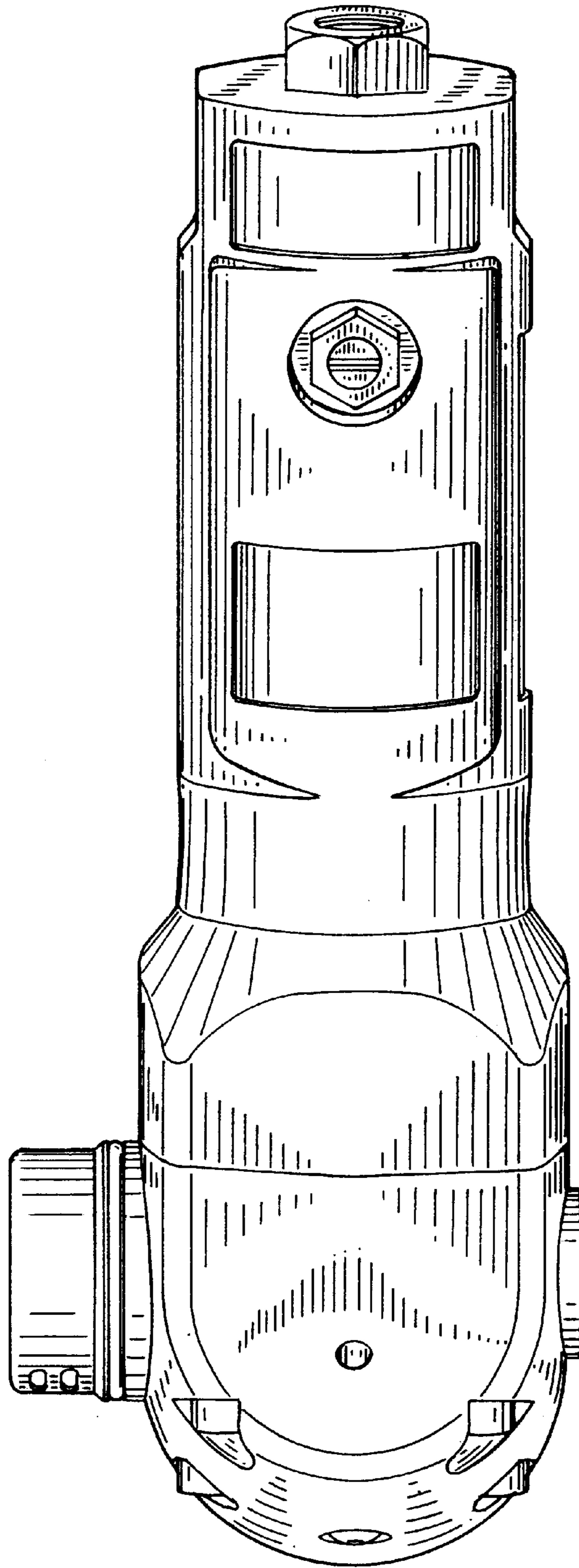


FIG . 6

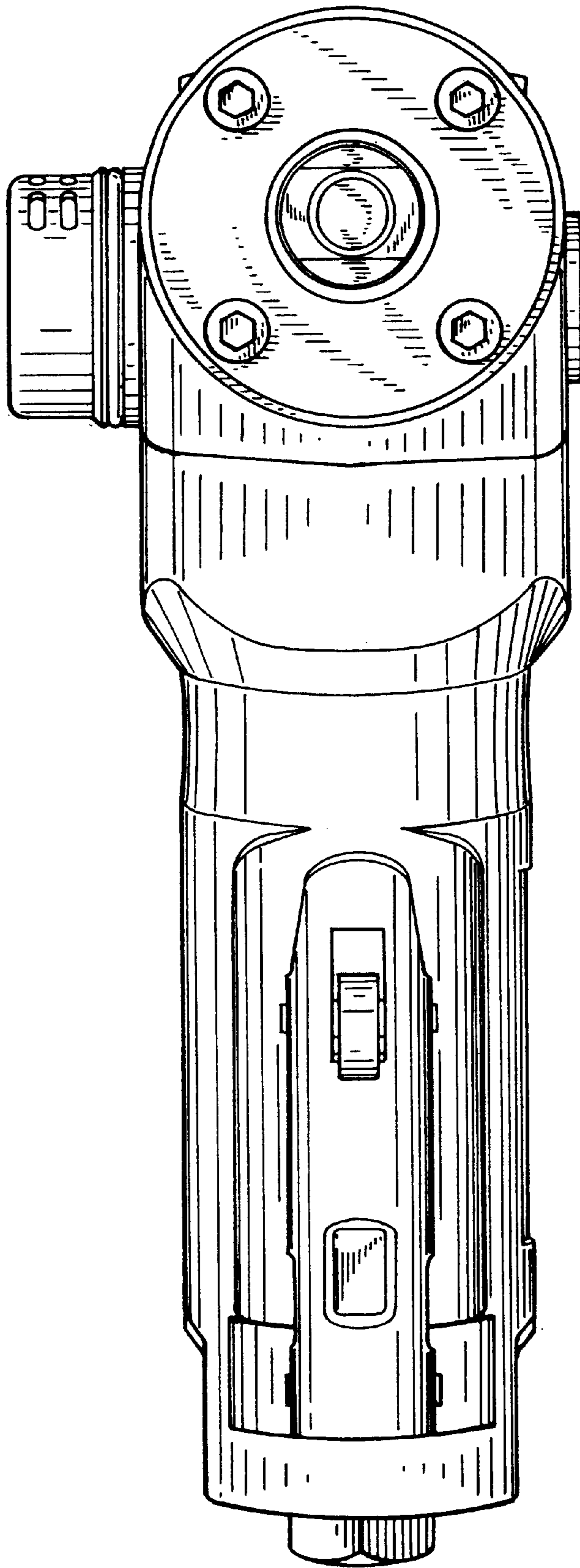


FIG . 7

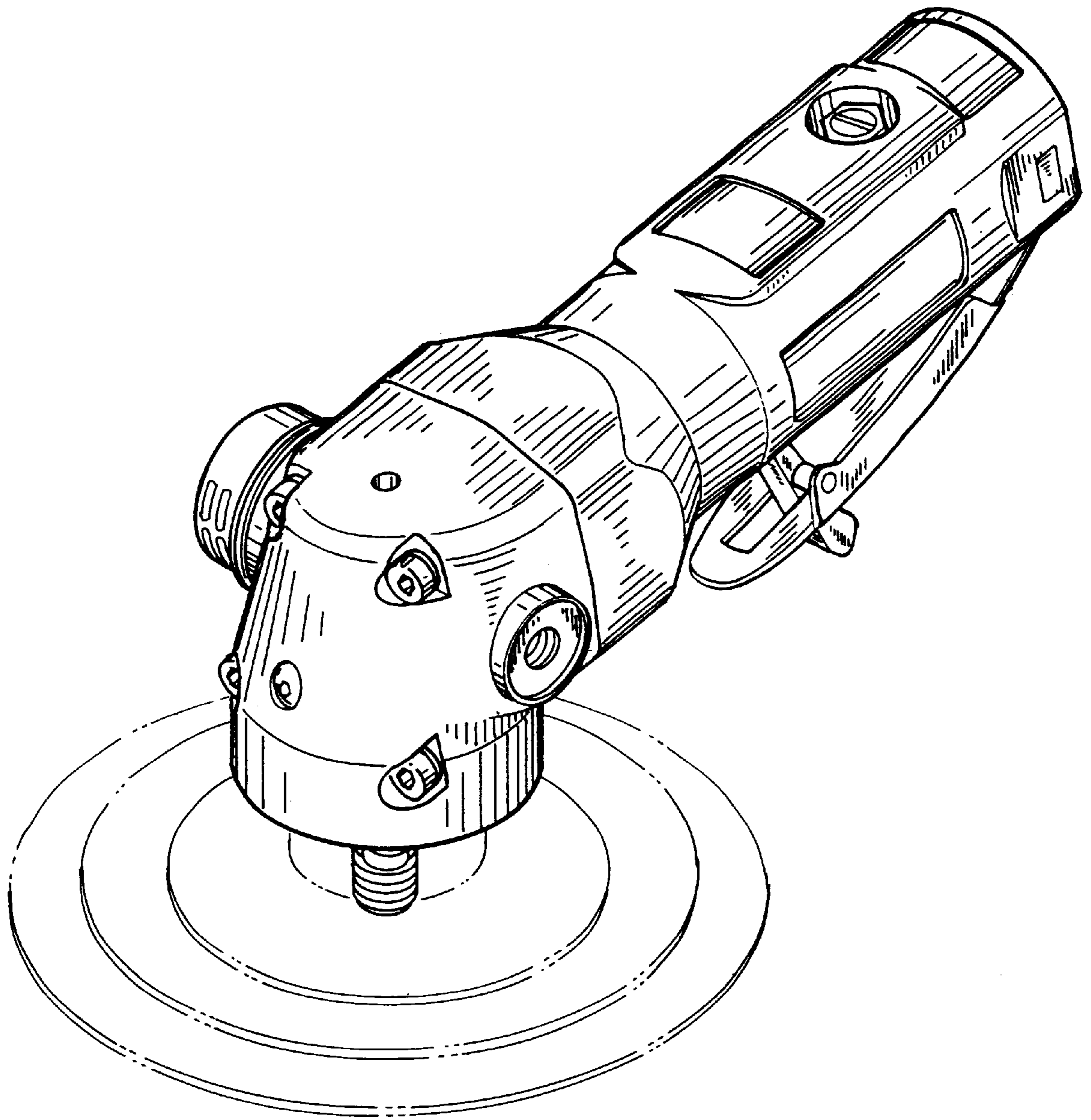


FIG . 8

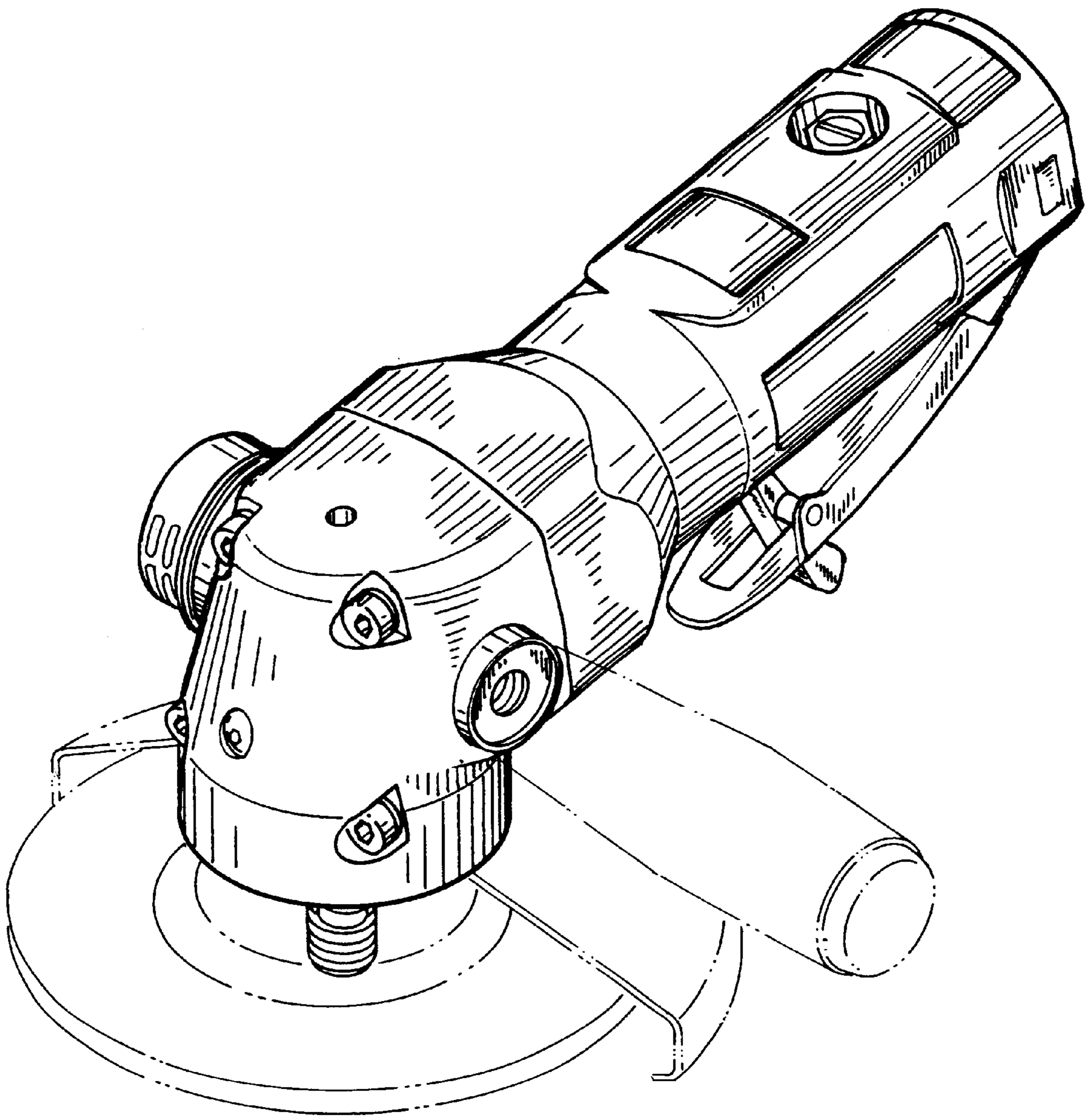


FIG . 9