



US00D447028B1

(12) **United States Design Patent**  
**Wikle et al.**

(10) **Patent No.:** **US D447,028 S**

(45) **Date of Patent:** **\*\* Aug. 28, 2001**

(54) **KEYLESS COLLET FOR A POWER TOOL**

(75) Inventors: **David L. Wikle**, Dallastown, PA (US);  
**Stuart J. Wright**, Timonium, MD (US)

(73) Assignee: **Black & Decker Inc.**, Newark, DE  
(US)

(\*\*) Term: **14 Years**

(21) Appl. No.: **29/133,941**

(22) Filed: **Dec. 11, 2000**

**Related U.S. Application Data**

(63) Continuation of application No. 29/122,994, filed on May 8,  
2000, now Pat. No. Des. 438,076.

(51) **LOC (7) Cl.** ..... **08-01**

(52) **U.S. Cl.** ..... **D8/61**

(58) **Field of Search** ..... D8/61-70; 81/57.11,  
81/54, 57.42; 173/170, 217, 182, 48, 273;  
310/50; 418/270; 409/182; 15/3.53; 30/391,  
390; 408/239 R, 124; 451/344, 357-359

(56) **References Cited**

**U.S. PATENT DOCUMENTS**

- D. 295,824 \* 5/1988 Hoshino et al. .... D8/62
- D. 310,160 8/1990 Patel .
- D. 310,470 \* 9/1990 Tohdoh ..... D8/62
- D. 364,790 12/1995 Duennes .
- D. 374,159 10/1996 Chiang .
- D. 376,083 12/1996 Verdura et al. .
- D. 378,727 4/1997 Kikuchi .
- D. 402,870 \* 12/1998 Etter et al. .... D8/62
- D. 403,219 \* 12/1998 Bosten et al. .... D8/68

- D. 408,244 \* 4/1999 Price ..... D8/62
- D. 433,905 \* 11/2000 Cooper ..... D8/61
- D. 437,757 \* 2/2001 Thomson et al. .... D8/61
- D. 438,076 \* 2/2001 Wikle et al. .... D8/61
- 4,878,404 11/1989 Liao .
- 5,829,931 \* 11/1998 Doumani ..... 409/182

**FOREIGN PATENT DOCUMENTS**

- M8904666 7/1989 (DE) .
- M9002386 10/1989 (DE) .
- DM018146 11/1990 (XH) .
- DM018539 1/1991 (XH) .
- DM042229 12/1997 (XH) .

\* cited by examiner

*Primary Examiner*—Jeffrey Asch

(74) *Attorney, Agent, or Firm*—Michael P. Leary; Bruce S.  
Shapiro

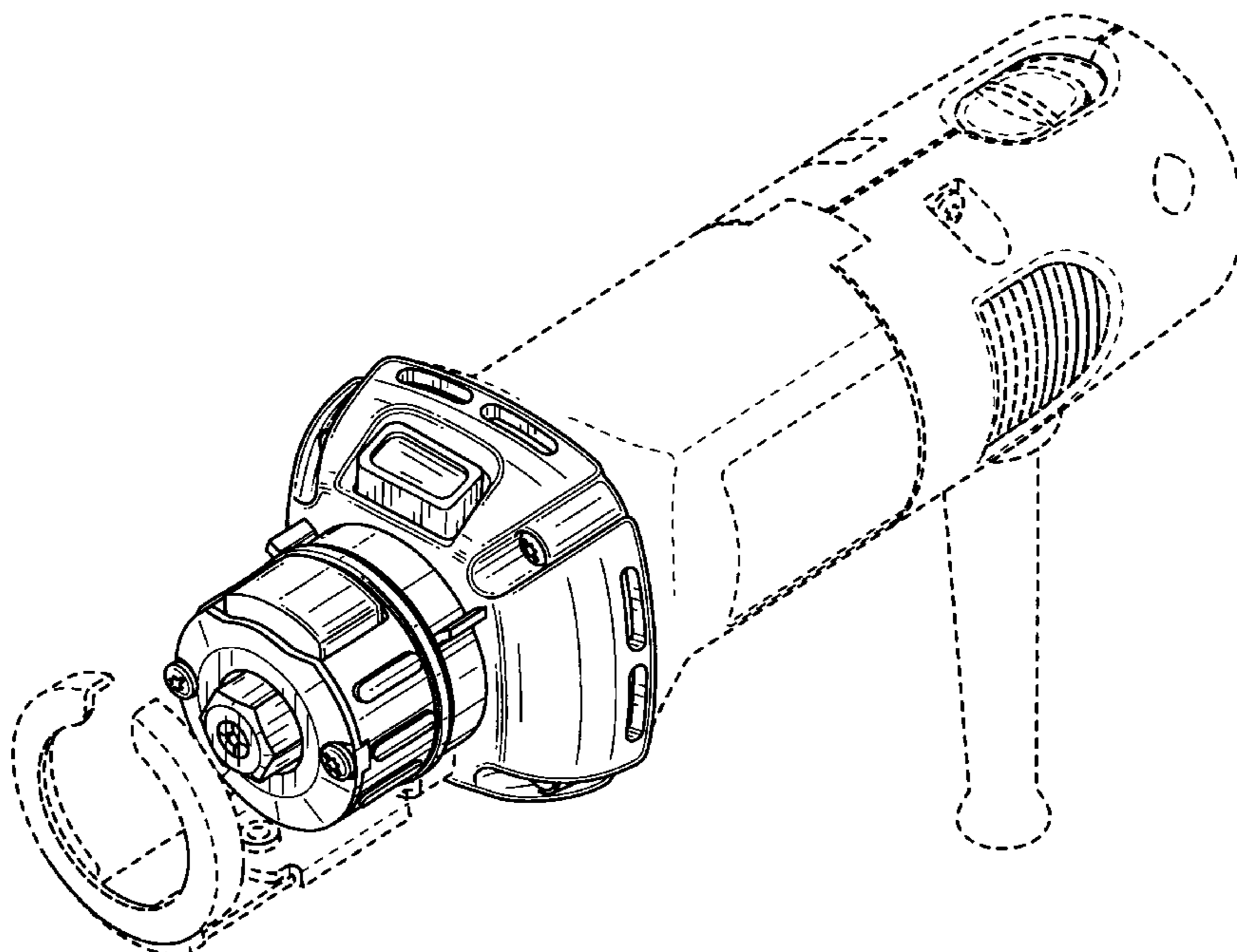
(57) **CLAIM**

The ornamental design for a keyless collet for a power tool,  
as shown and described.

**DESCRIPTION**

FIG. 1 is a front perspective view taken from the left side of  
a keyless collet for a power tool showing our new design.  
FIG. 2 is a left side elevational view thereof.  
FIG. 3 is a right side elevational view thereof.  
FIG. 4 is a top plan view thereof.  
FIG. 5 is a bottom plan view thereof.  
FIG. 6 is a rear elevational view thereof; and,  
FIG. 7 is a front elevational view thereof.  
The broken lines are for illustrative purposes only and forms  
no part of the invention.

**1 Claim, 6 Drawing Sheets**



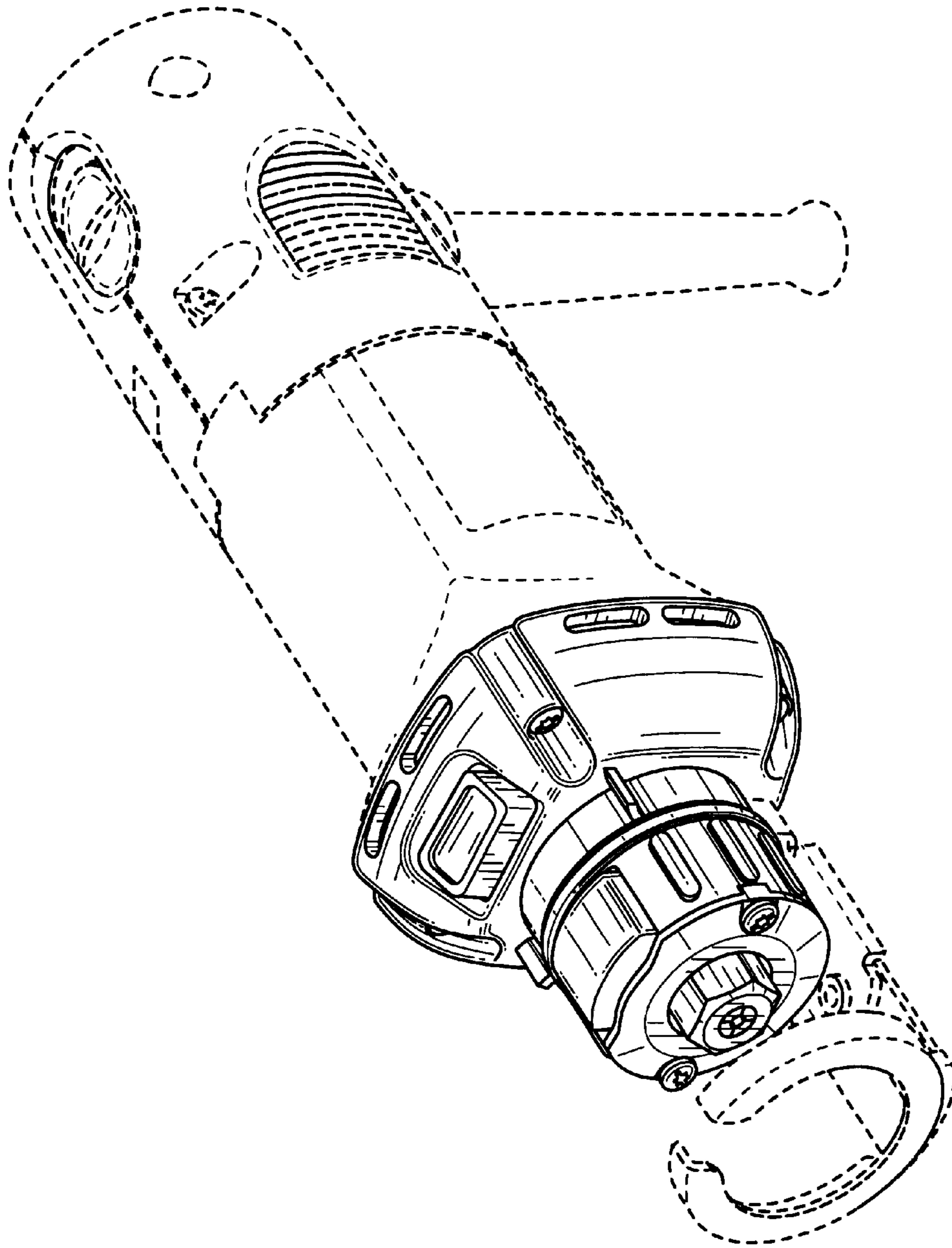


FIG. 1

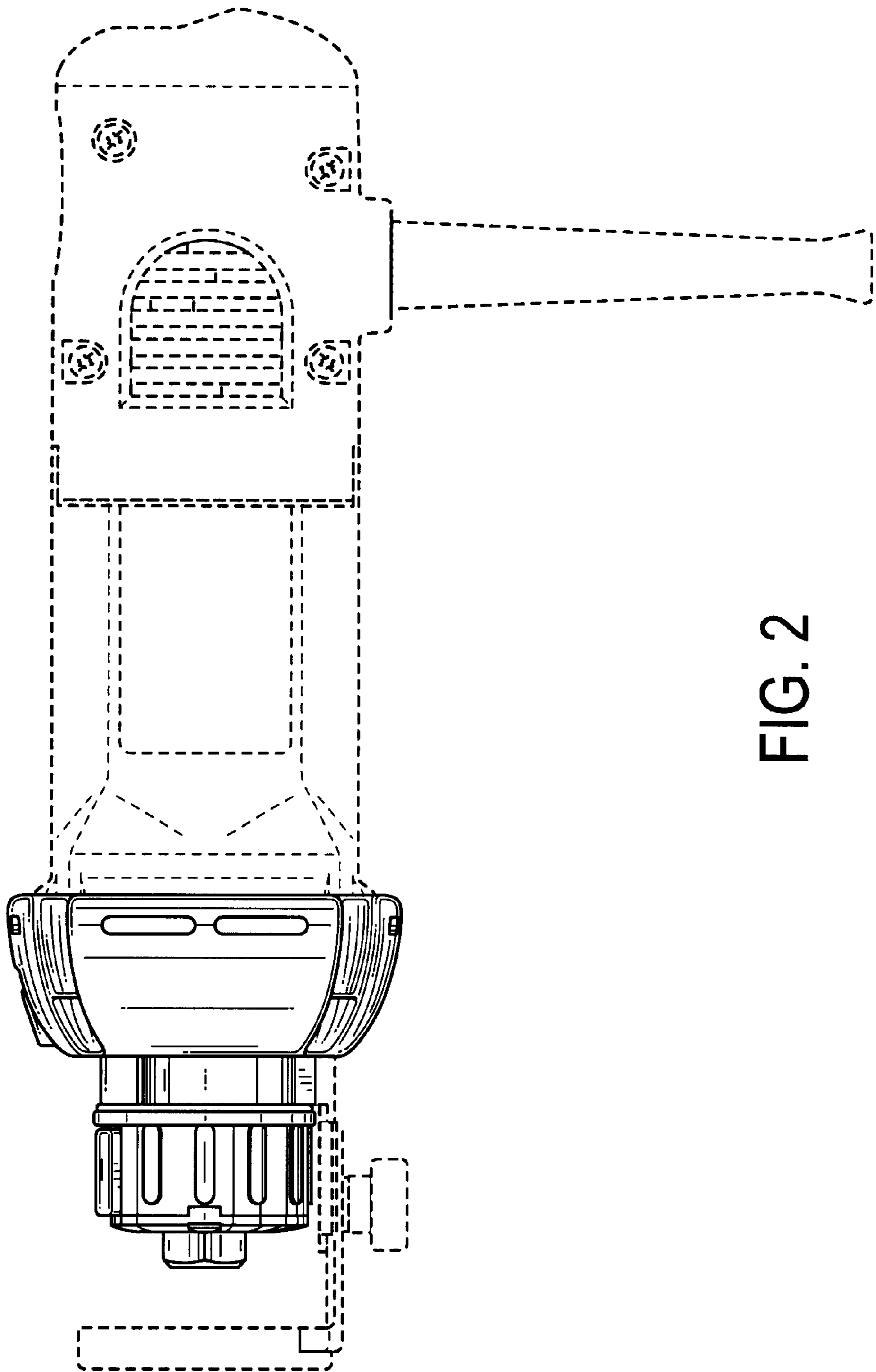


FIG. 2

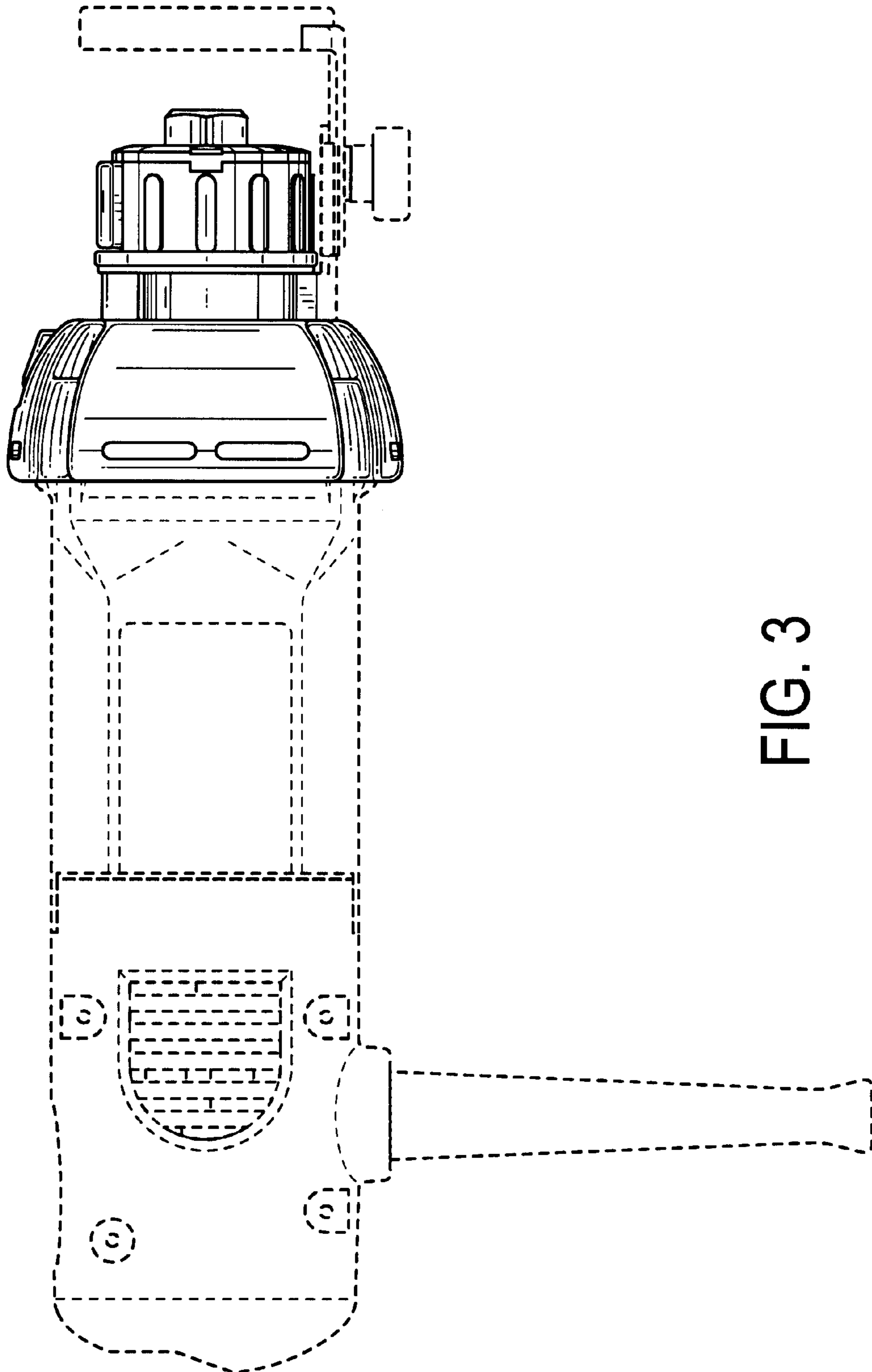


FIG. 3

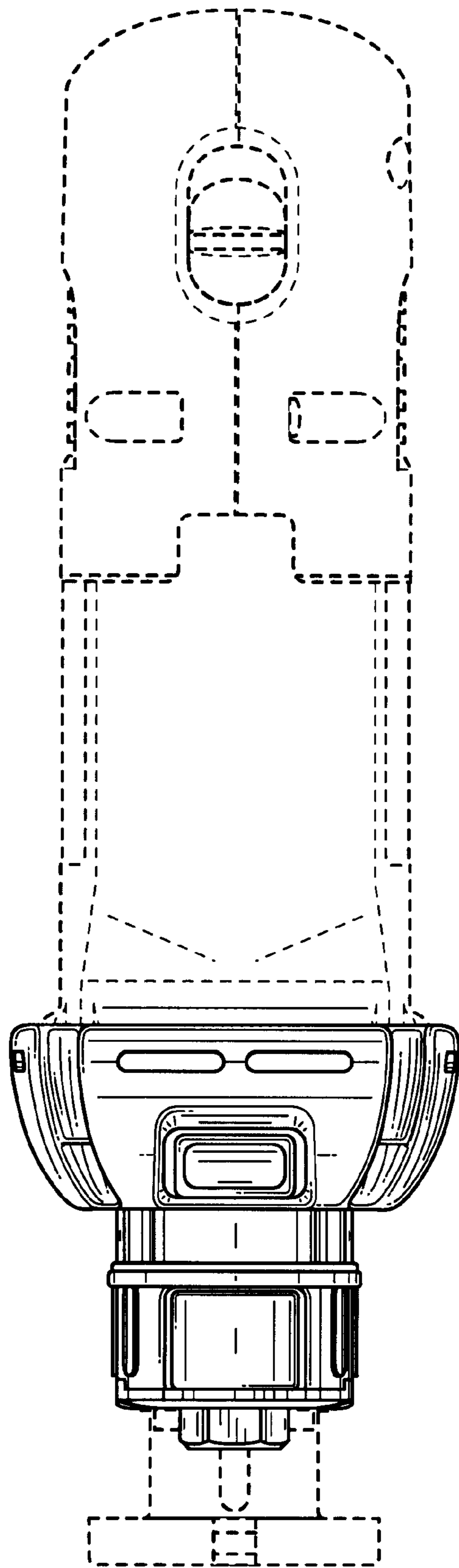


FIG. 4



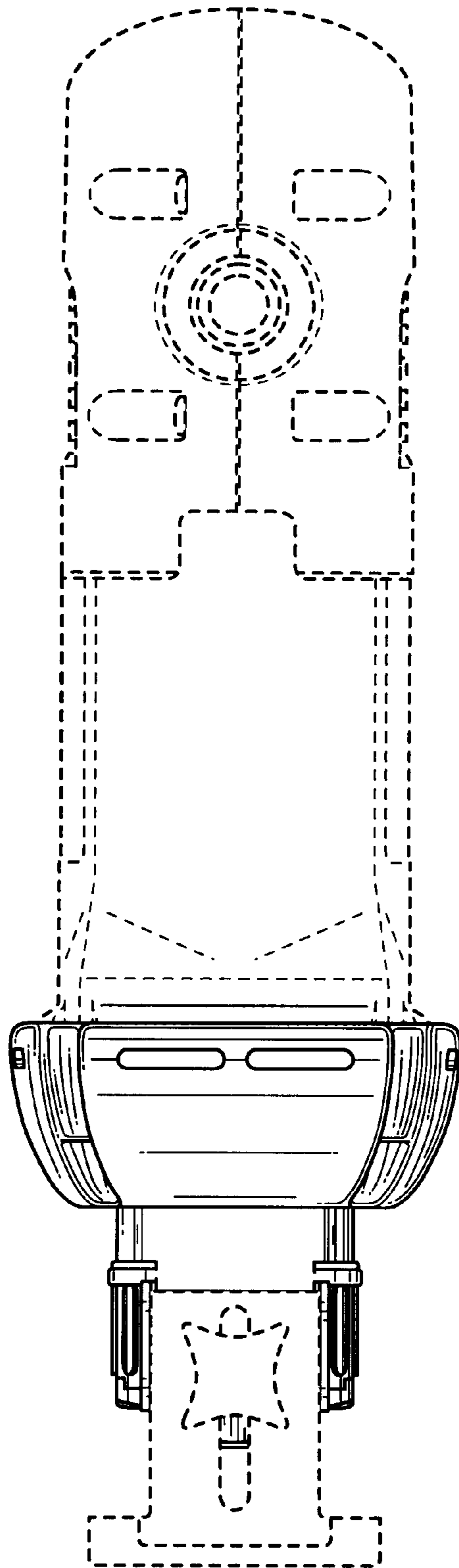


FIG. 5

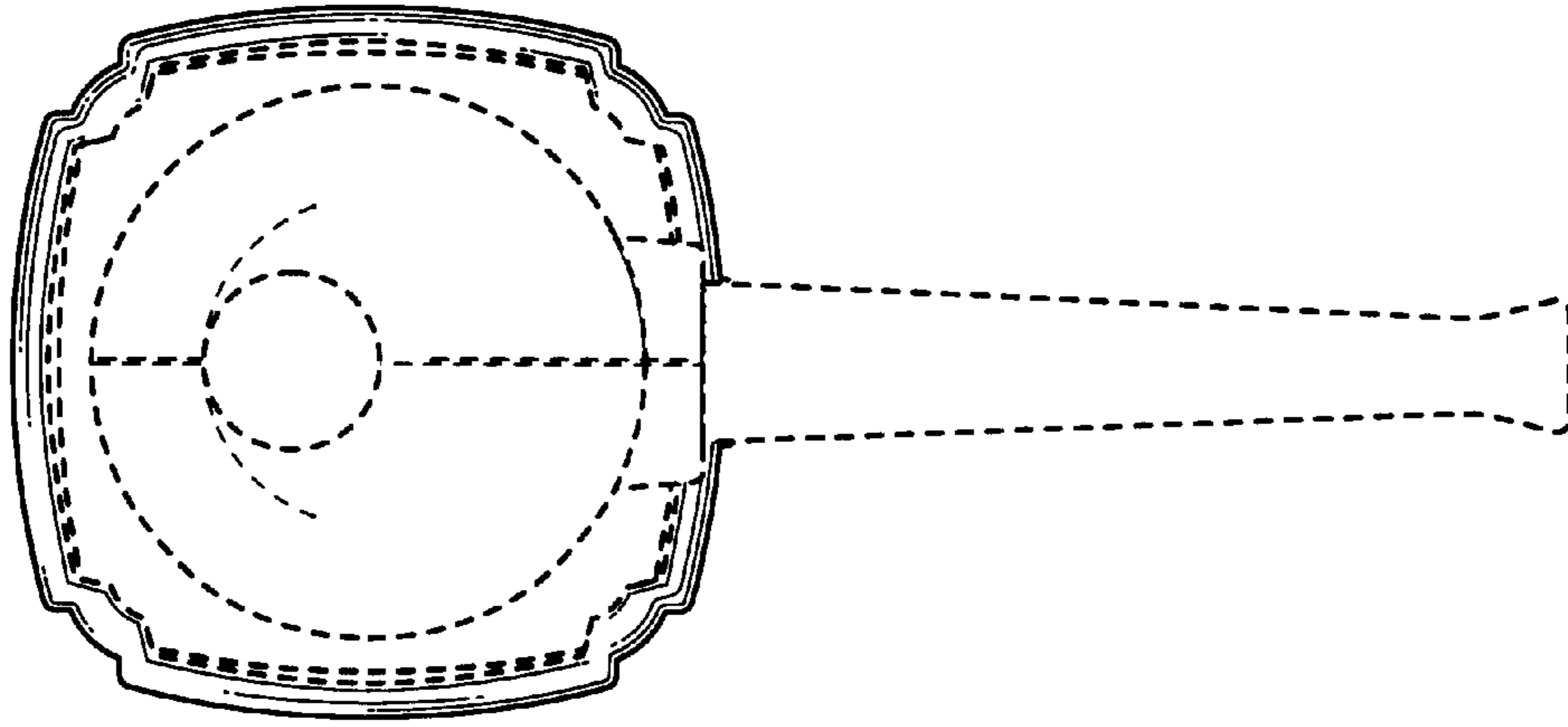


FIG. 7

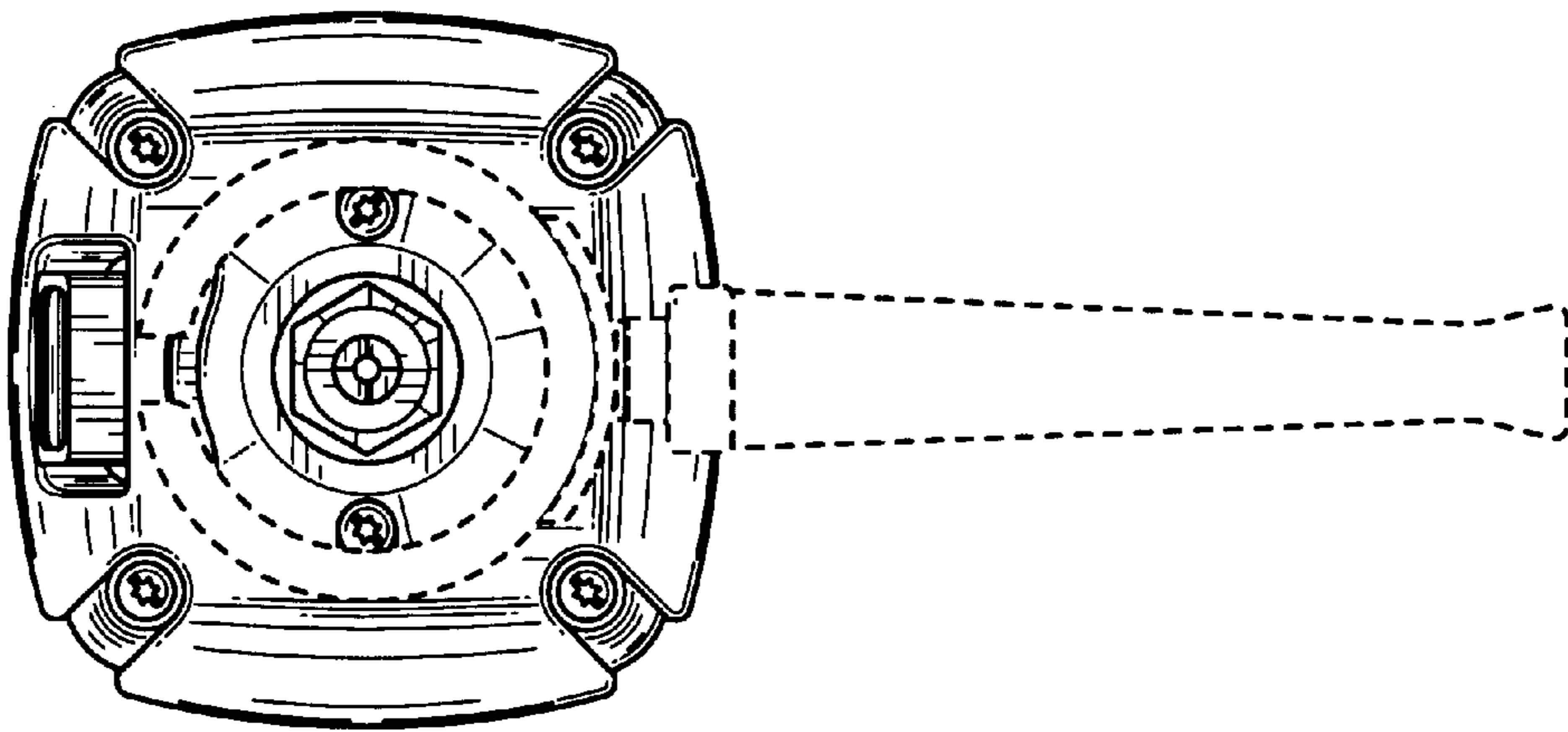


FIG. 6