



US00D447026B1

(12) **United States Design Patent**
Barnes

(10) **Patent No.:** **US D447,026 S**

(45) **Date of Patent:** **** Aug. 28, 2001**

(54) **LUG HAMMER WITH OPPOSING KEYS BETWEEN FIXED SHAFT AND ROTATABLE HOUSING HAVING DETACHABLE HANDLES**

(76) **Inventor:** **James Robert Barnes**, 5300 Gulf Dr., Apt. 508 N, Holmes Beach, FL (US) 34217

(**) **Term:** **14 Years**

(21) **Appl. No.:** **29/137,522**

(22) **Filed:** **Feb. 22, 2001**

Related U.S. Application Data

(63) Continuation of application No. 09/547,635, filed on Apr. 12, 2000.

(60) Provisional application No. 60/167,720, filed on Nov. 29, 1999.

(51) **LOC (7) Cl.** **08-05**

(52) **U.S. Cl.** **D8/29**

(58) **Field of Search** D8/21-29; 81/124.4, 81/177.5, 465, 466

(56) **References Cited**

U.S. PATENT DOCUMENTS

D. 213,468	*	3/1969	Broughton	D8/29
D. 218,140	*	7/1970	Johannsen	D8/29
3,361,170	*	1/1968	Hilton	81/177.5
4,939,960	*	7/1990	Kinzli	81/124.4
5,095,784	*	3/1992	Garver	81/466

* cited by examiner

Primary Examiner—Raphael Barkai
(74) *Attorney, Agent, or Firm*—Dorothy S. Morse

(57) **CLAIM**

The ornamental design for a lug hammer with opposing keys between fixed shaft and rotatable housing having detachable handles, as shown and described herein.

DESCRIPTION

FIG. 1 is a perspective view of the invention with three handles and a socket poised for attachment thereto, each being needed for most effective use of the invention, the socket being illustrated in broken lines to indicate that it is no part of the design to be patented.

FIG. 2 is a rear end view of the invention with handles attached.

FIG. 3 is a rear end view of the invention with handles attached and an end plate ready for attachment to the rear end of the rotatable housing.

FIG. 4 is a front end view of the invention with handles attached.

FIG. 5 is a top view of the shaft of the invention.

FIG. 6 is a bottom view of the shaft of the invention.

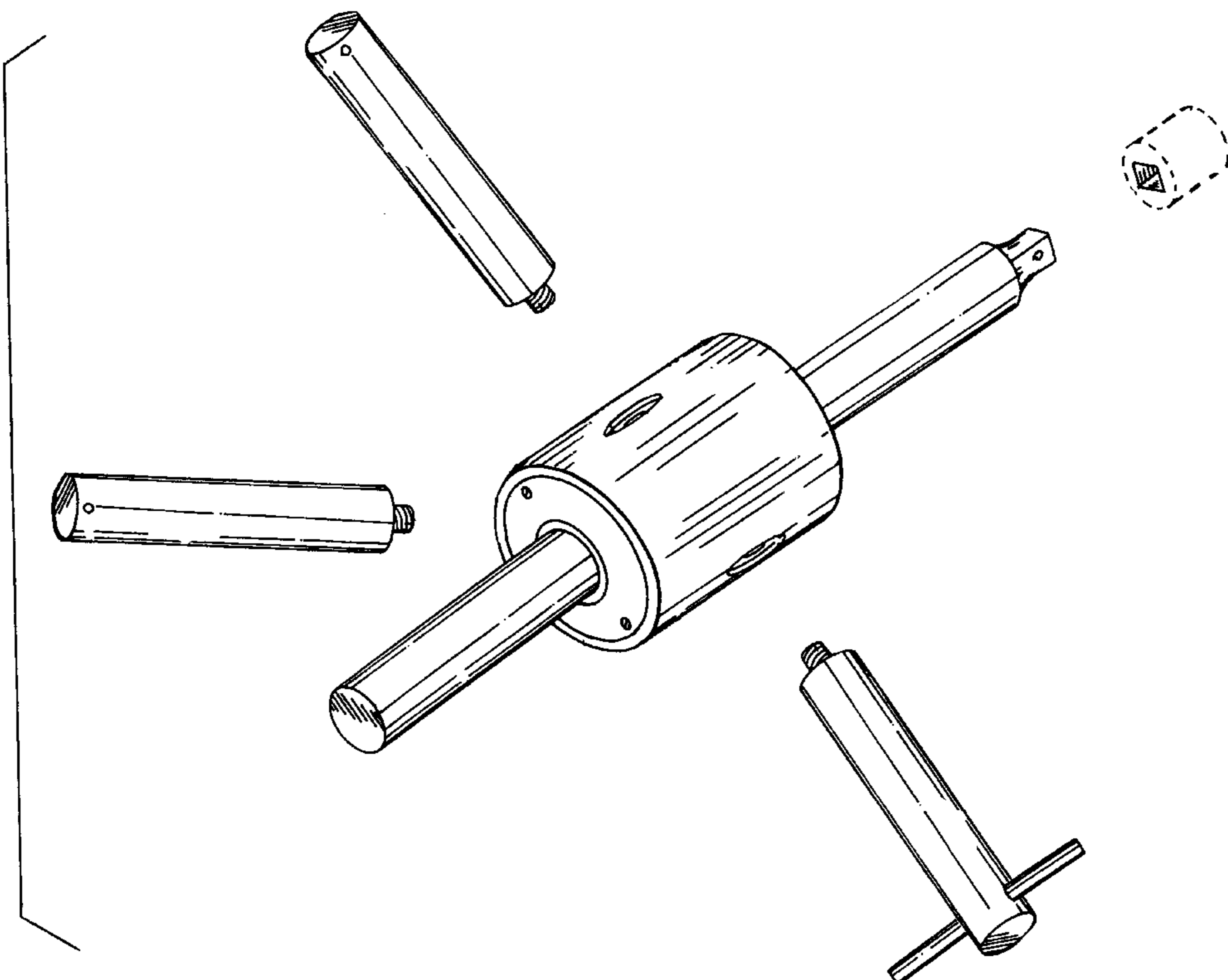
FIG. 7 is a right side view of the shaft of the invention.

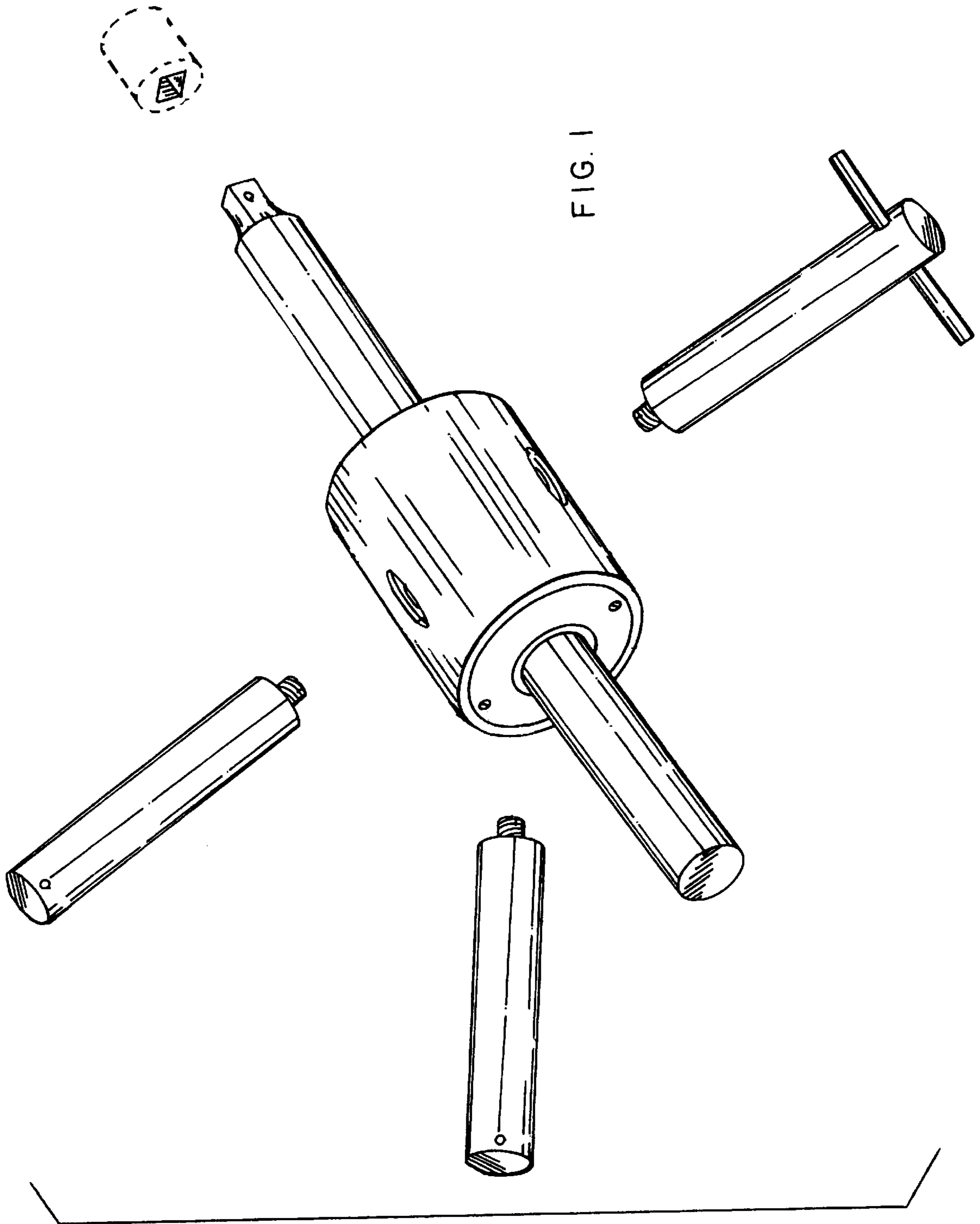
FIG. 8 is a left side view of the shaft of the invention; and,

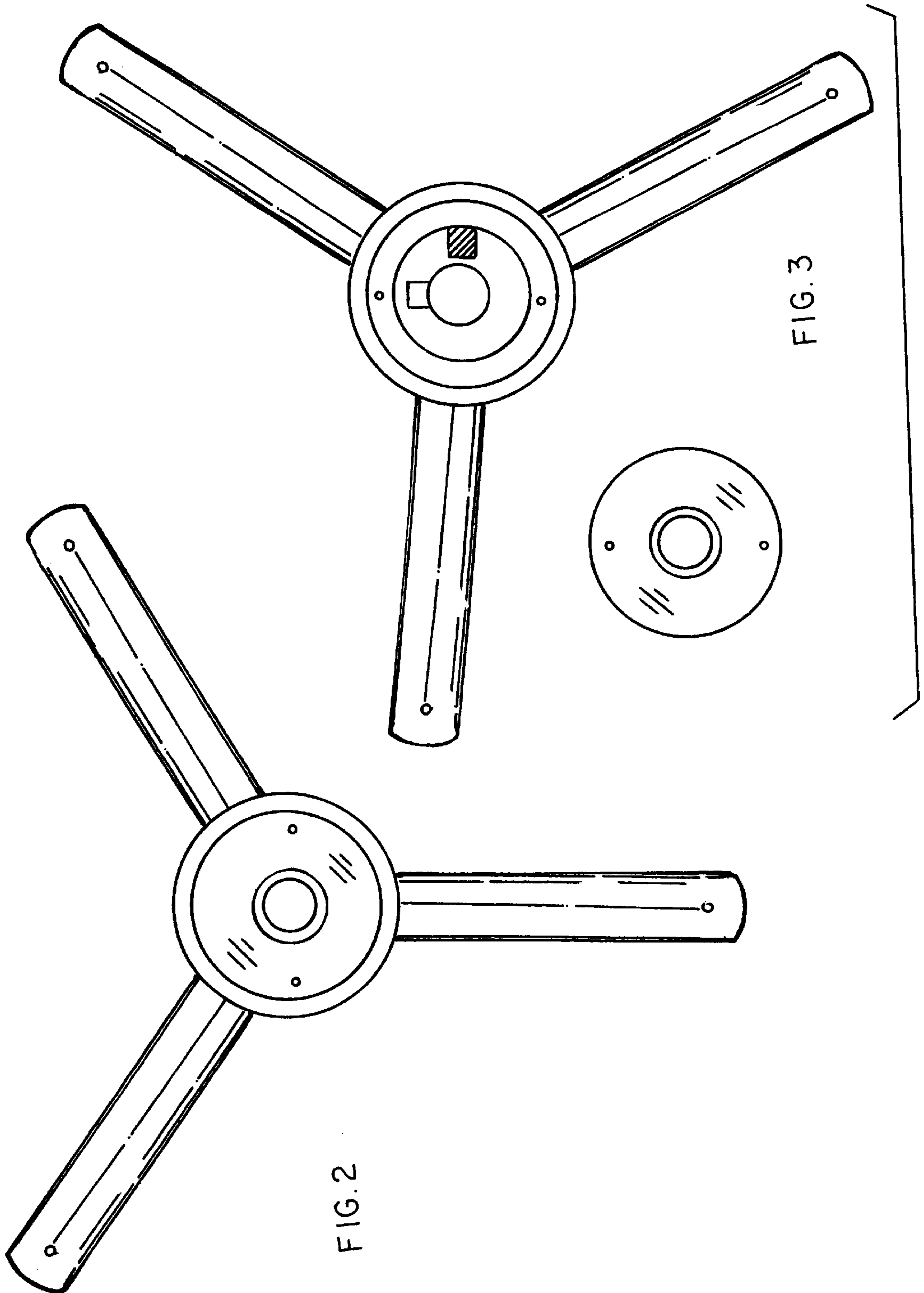
FIG. 9 is a top view of the small rod used for handle attachment and removal.

The elements have been shown separately in FIGS. 1-9 for ease of illustration only.

1 Claim, 3 Drawing Sheets







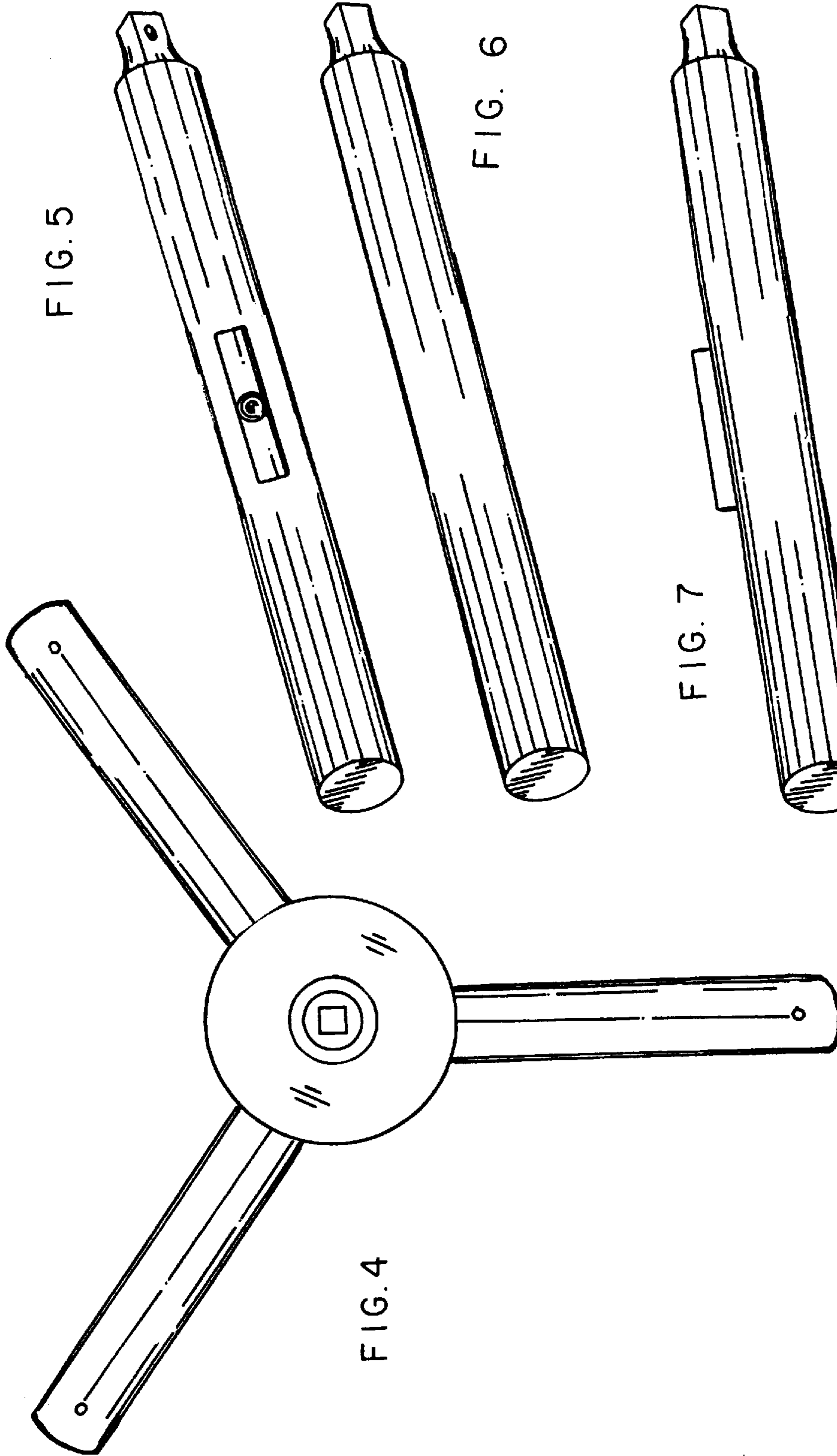


FIG. 4

FIG. 5

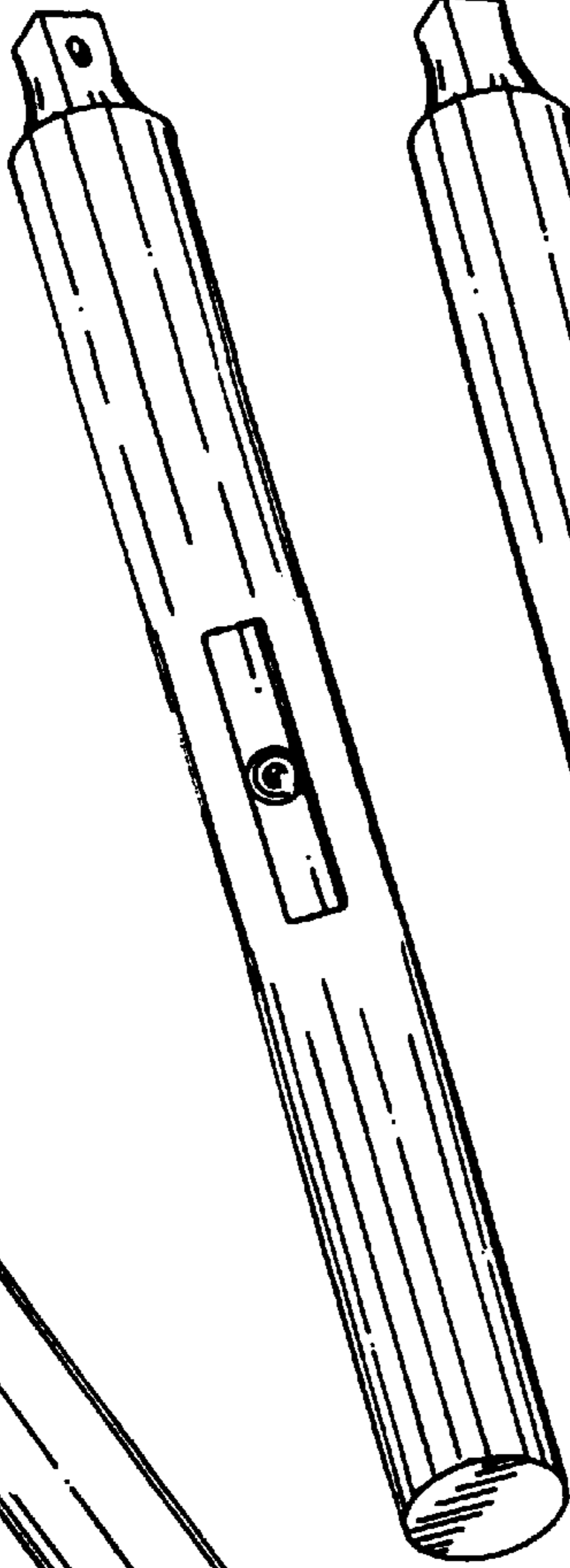


FIG. 6

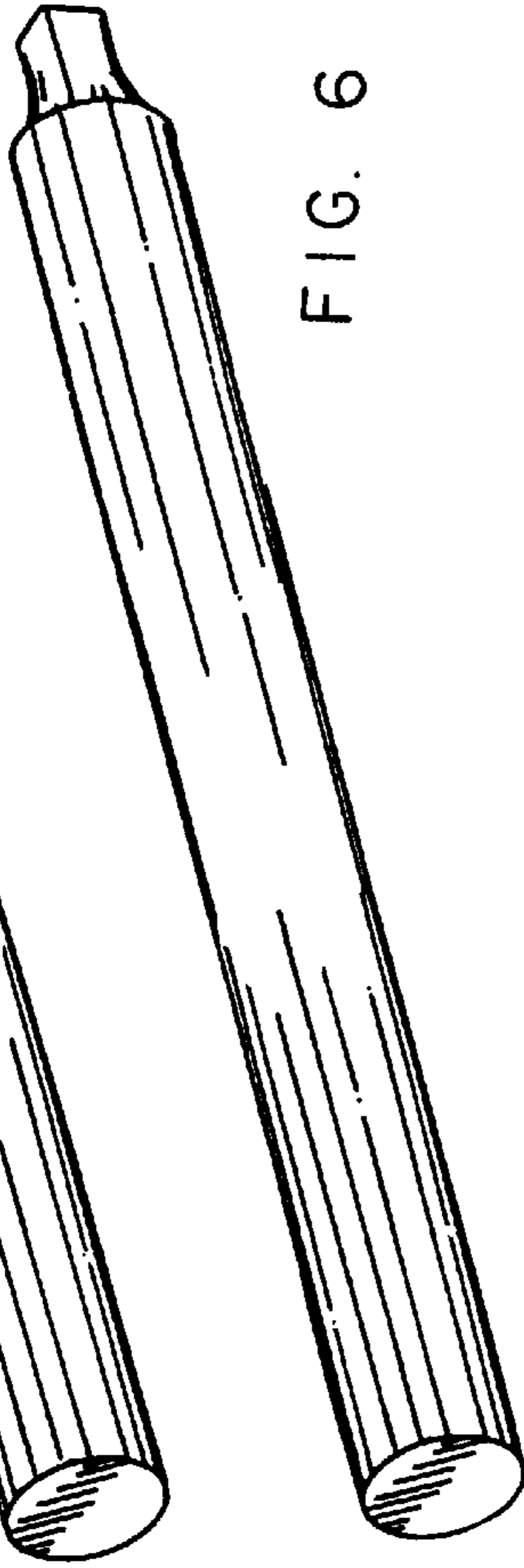


FIG. 7

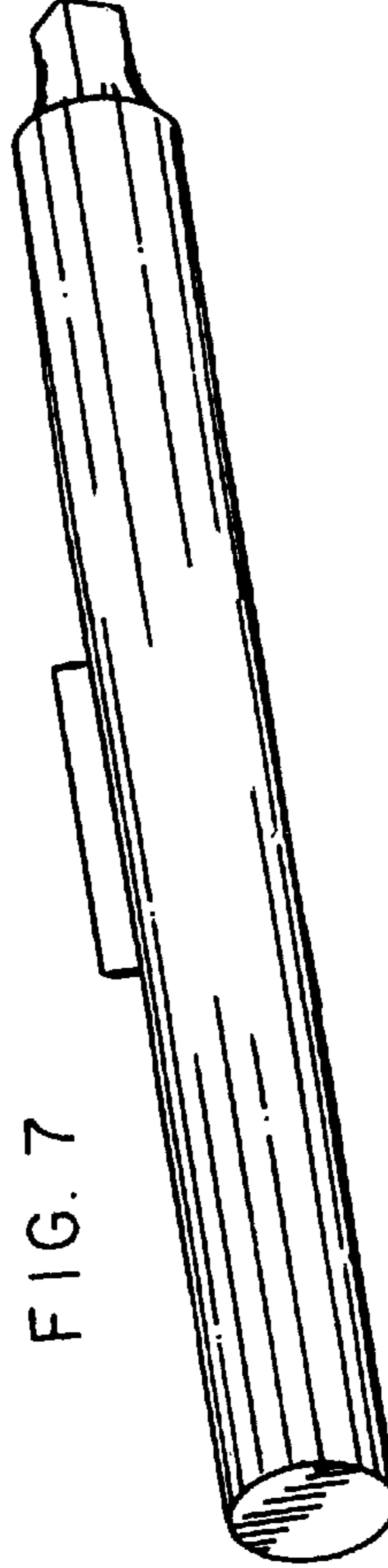


FIG. 8

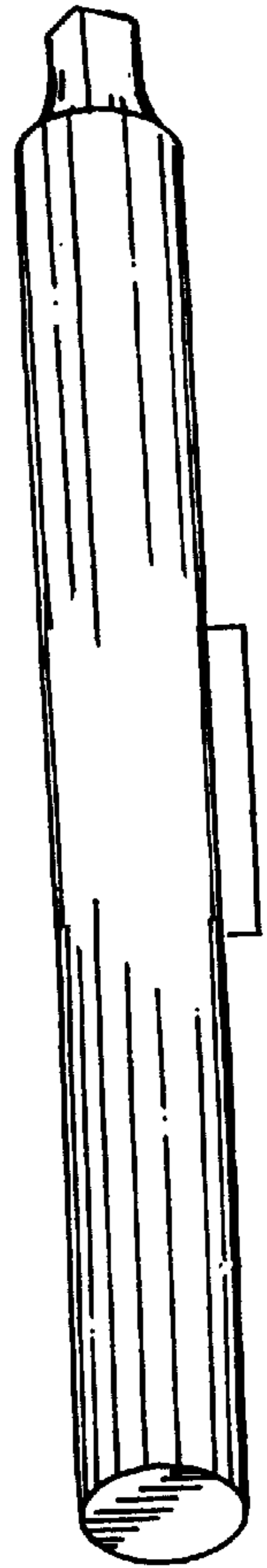


FIG. 9

