



US00D447025B1

(12) **United States Design Patent**  
**Hughes**

(10) **Patent No.:** **US D447,025 S**

(45) **Date of Patent:** **\*\* Aug. 28, 2001**

(54) **PLASTIC STAKE**

4,870,781 \* 10/1989 Jones ..... 47/44

\* cited by examiner

(75) **Inventor:** **James Neil Hughes**, Birmingham, AL  
(US)

*Primary Examiner*—Robin V. Taylor

(74) *Attorney, Agent, or Firm*—Christopher A. Holland;  
Robert J. Veal; Burr & Forman LLP

(73) **Assignee:** **Plastic Stakes Company**, Birmingham,  
AL (US)

(57) **CLAIM**

(\*\*) **Term:** **14 Years**

The ornamental design for a plastic stake, as shown and described.

(21) **Appl. No.:** **29/131,680**

**DESCRIPTION**

(22) **Filed:** **Oct. 26, 2000**

FIG. 1 is a perspective view of a plastic stake showing my new design;

(51) **LOC (7) Cl.** ..... **08-01**

FIG. 2 is an enlarged front, bottom, end elevational view shown broken away for ease of illustration;

(52) **U.S. Cl.** ..... **D8/1**

FIG. 3 is an enlarged front, top end elevational view thereof;

(58) **Field of Search** ..... D8/1; 47/44, 46,  
47/47; D21/840

FIG. 4 is an enlarged side, top end elevational view thereof;  
FIG. 5 is an enlarged sectional view taken along line 5—5 of FIG. 7;

(56) **References Cited**

**U.S. PATENT DOCUMENTS**

- D. 377,844 \* 2/1997 Gary et al. .... D8/1
- D. 378,980 \* 4/1997 Thayer et al. .... D8/1
- D. 407,281 \* 3/1999 Antel et al. .... D8/1
- 4,185,424 \* 1/1980 Streit ..... D8/1

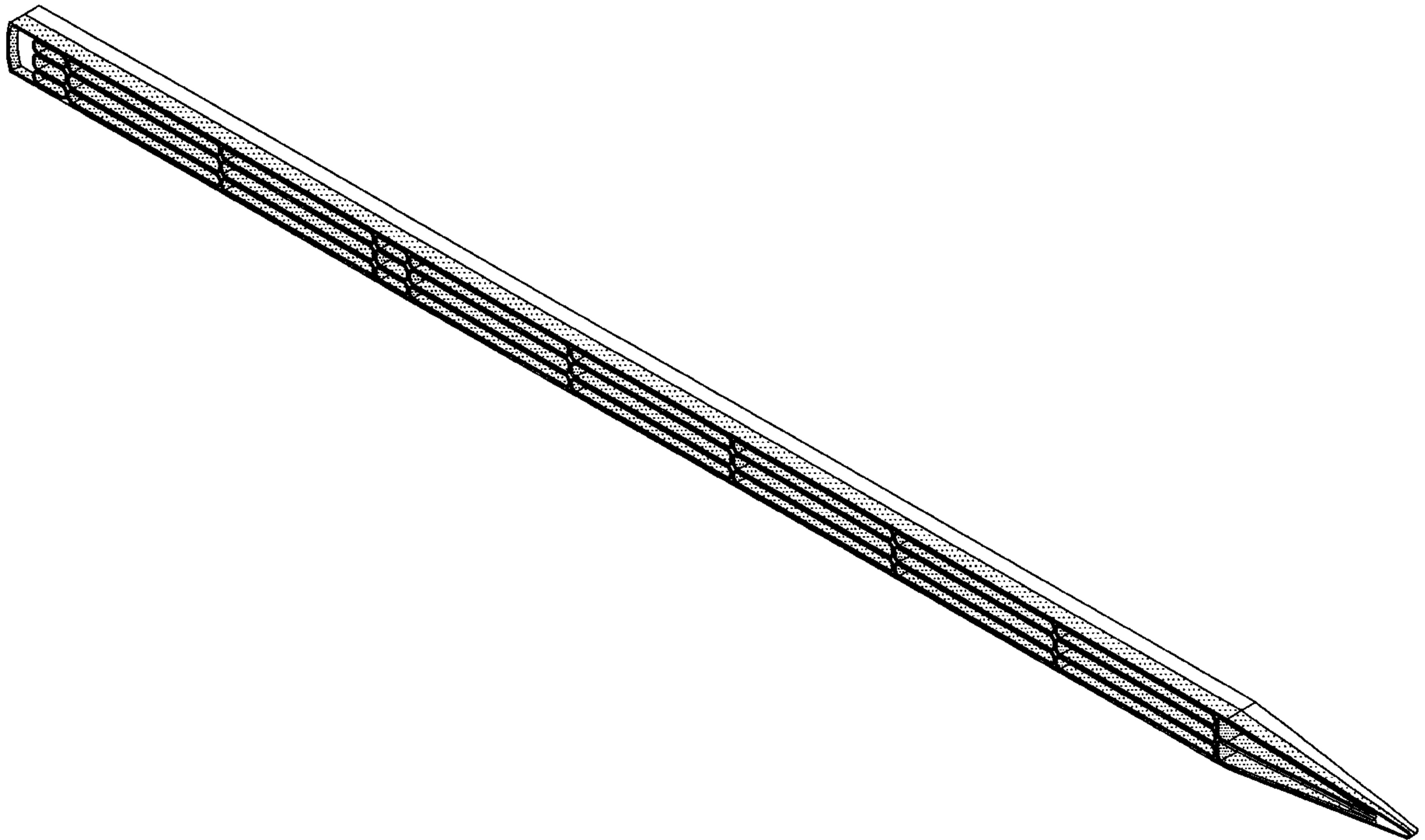
FIG. 6 is a side elevational view;

FIG. 7 is a front elevation view of the stake;

FIG. 8 is an enlarged top view; and,

FIG. 9 is an enlarged bottom view.

**1 Claim, 5 Drawing Sheets**



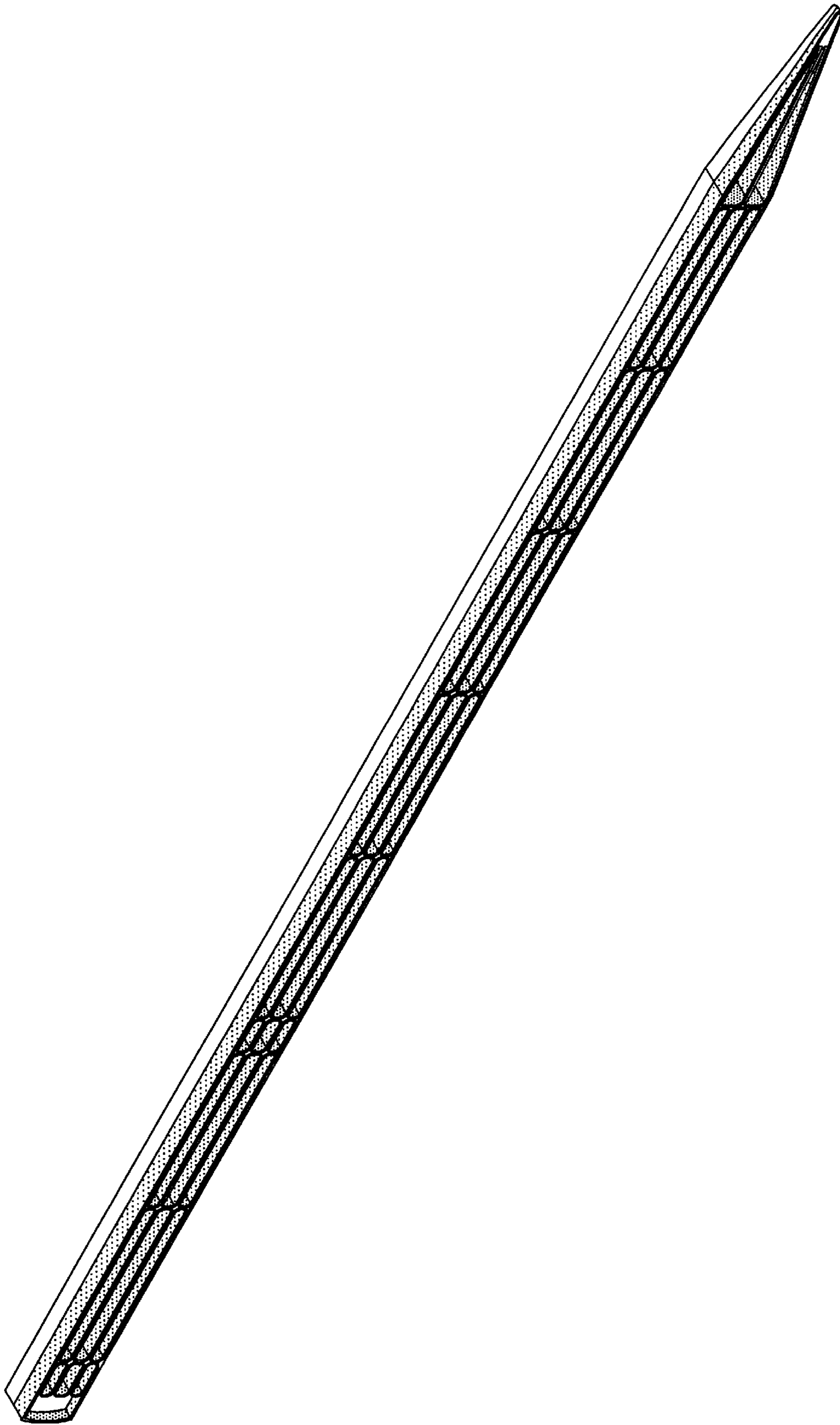


FIG. 1

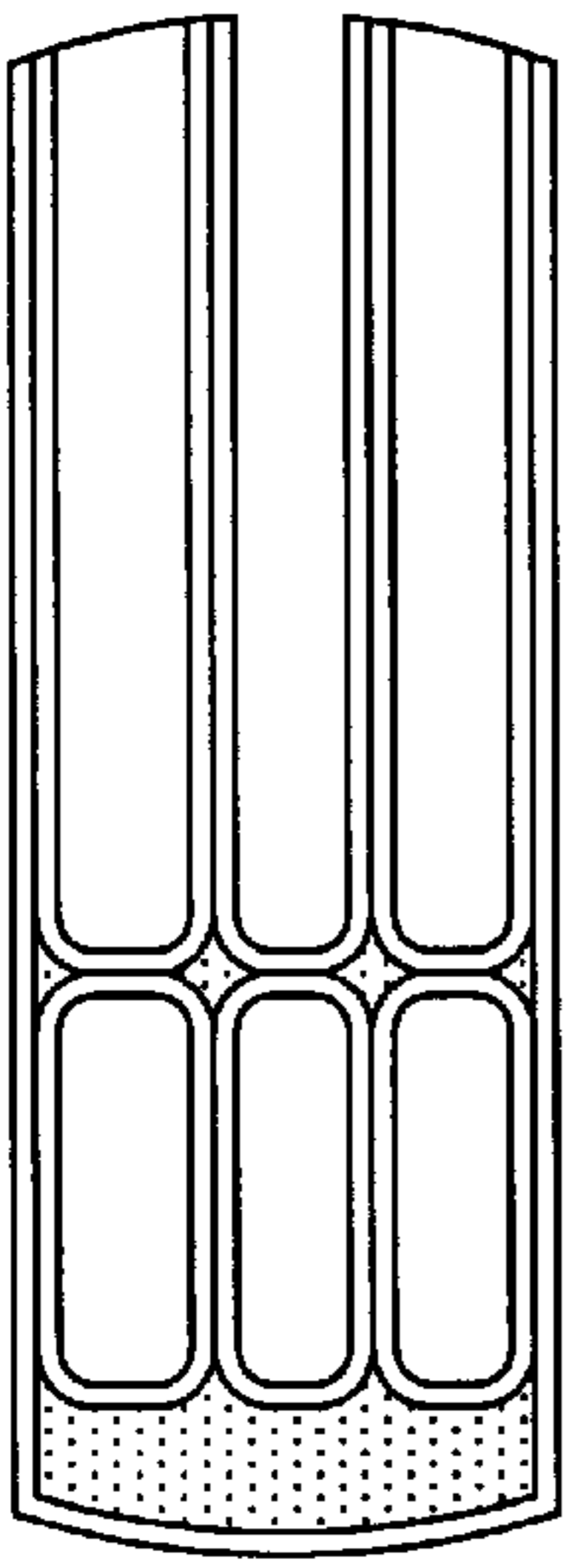


FIG. 2

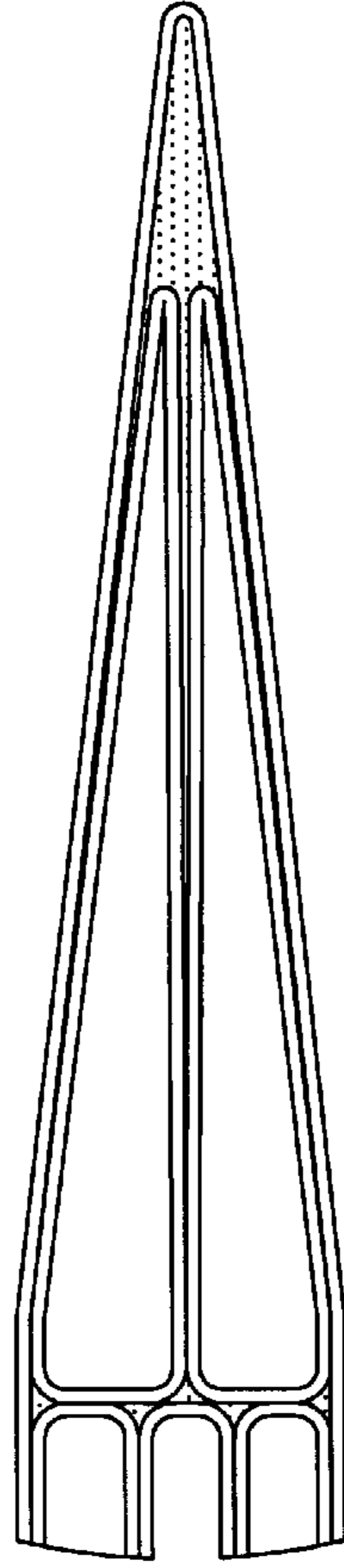


FIG. 3

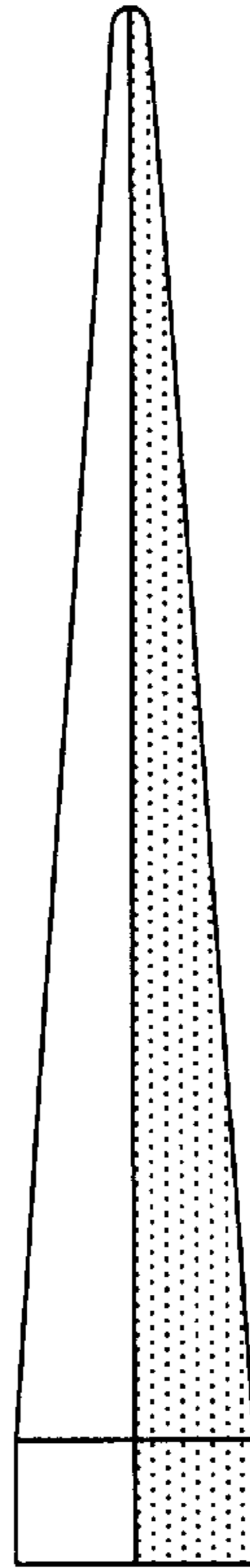


FIG. 4

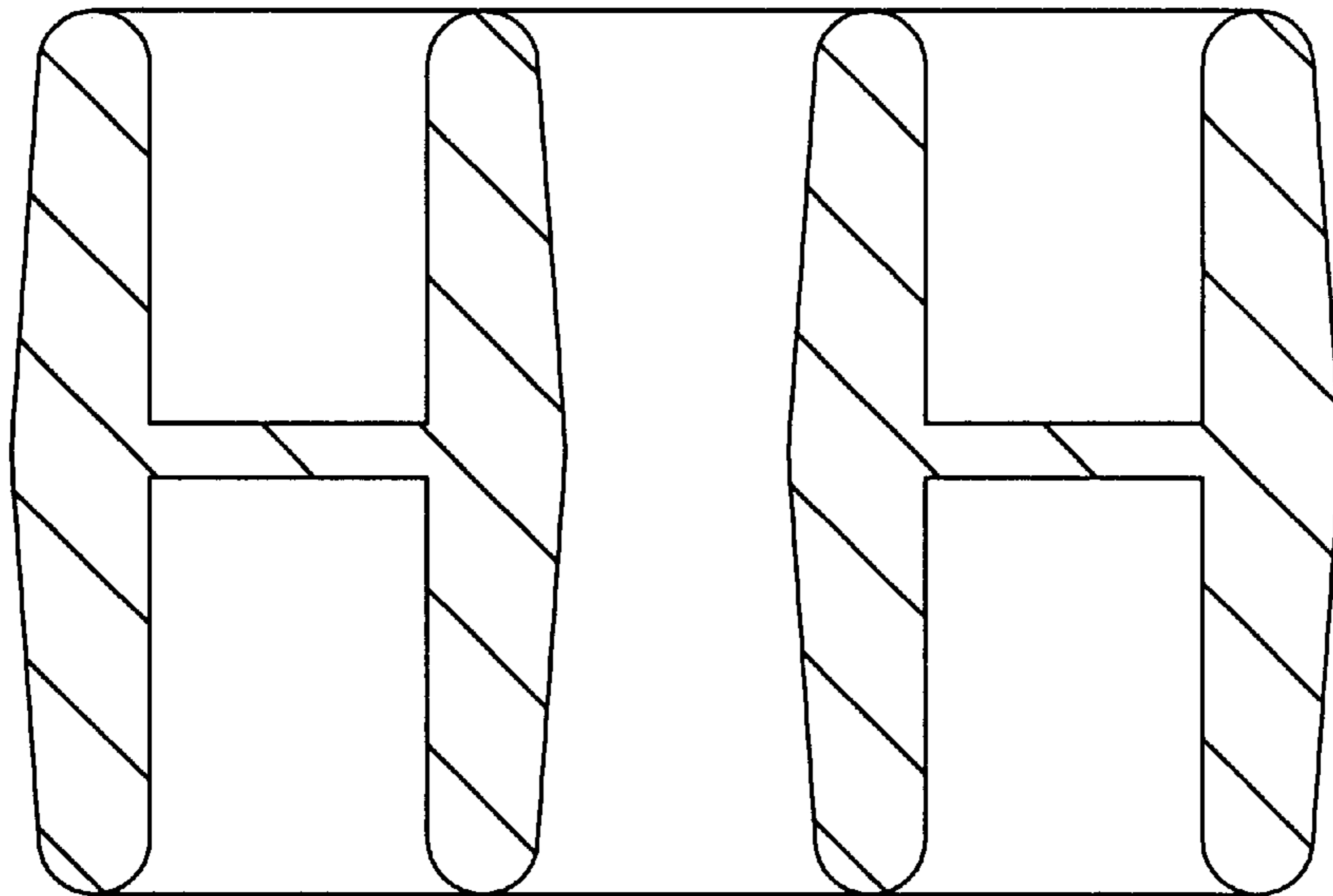


FIG. 5

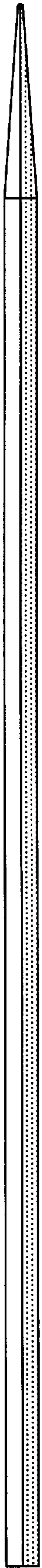


FIG. 6

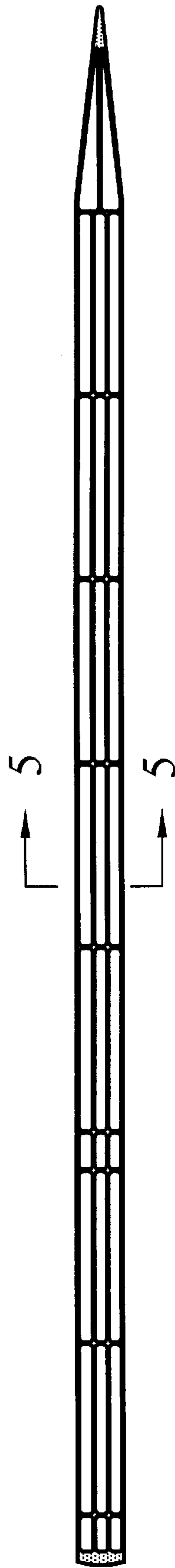


FIG. 7

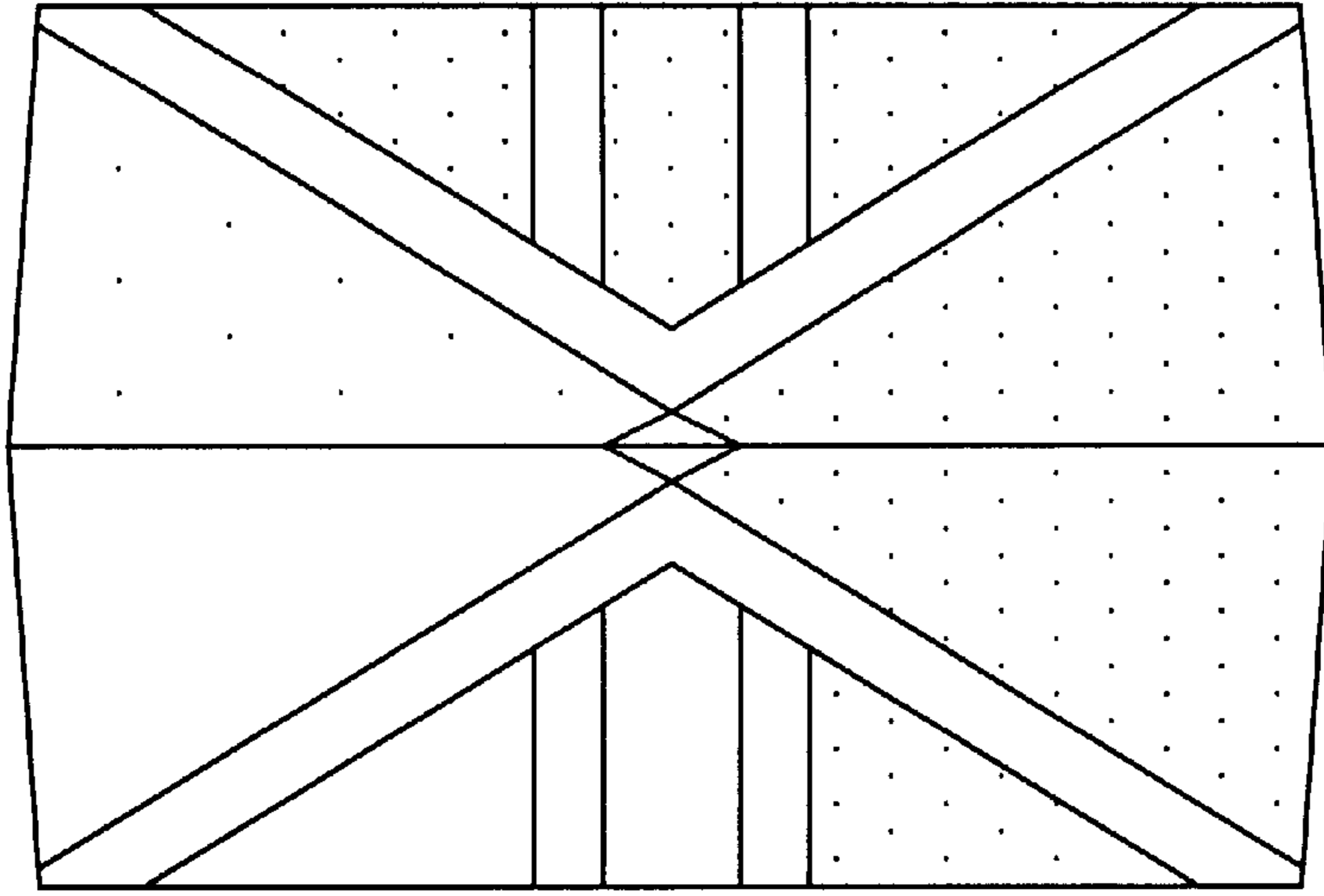


FIG. 9

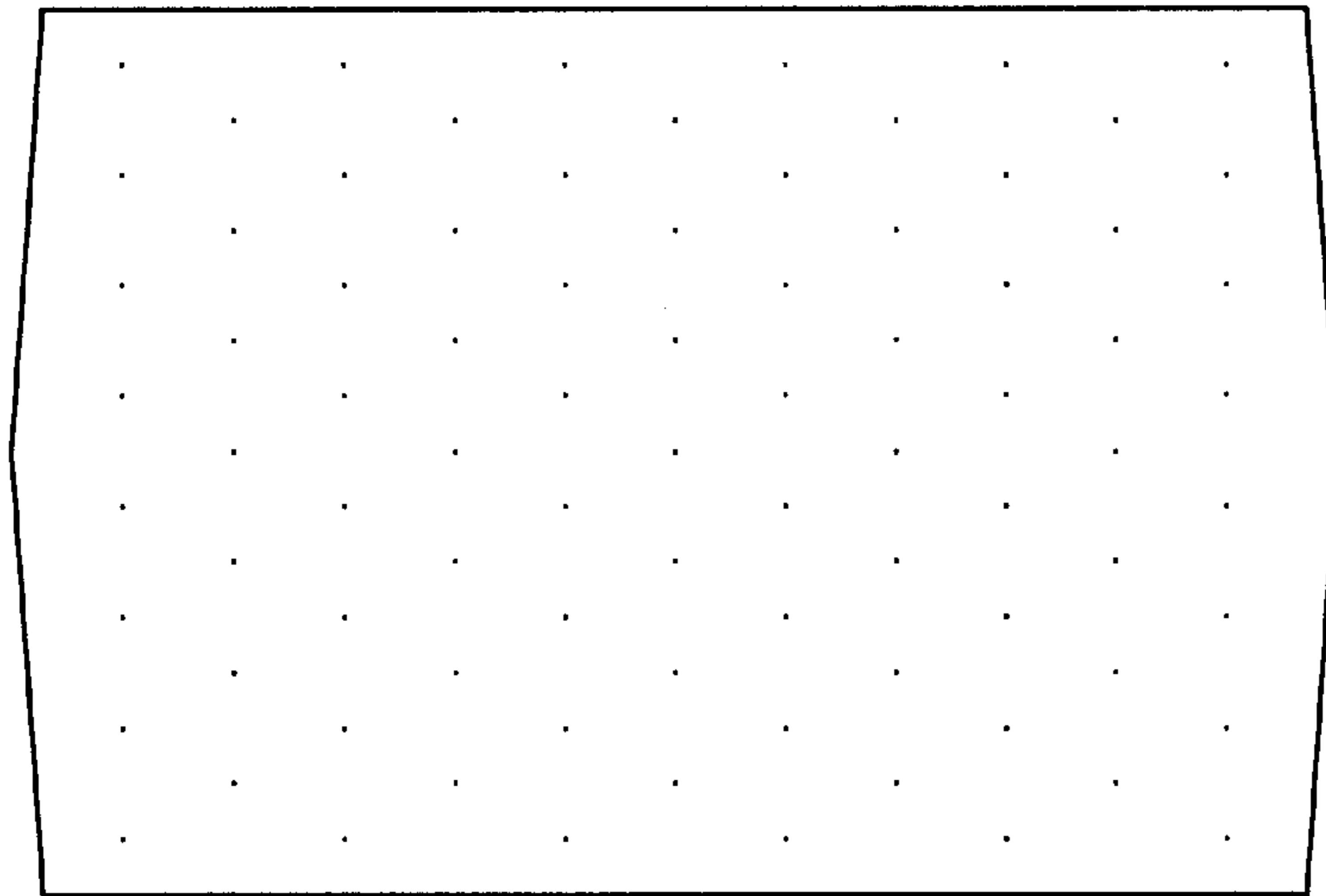


FIG. 8