



US00D447024B1

(12) **United States Design Patent**
Thomas

(10) **Patent No.:** **US D447,024 S**

(45) **Date of Patent:** **** Aug. 28, 2001**

(54) **CUP-HOLDER INSERT WITH SNACK CARRIER**

(75) Inventor: **Michael G. Thomas**, Toronto (CA)

(73) Assignee: **Fort James Corporation**, Deerfield, IL (US)

(**) Term: **14 Years**

(21) Appl. No.: **29/130,889**

(22) Filed: **Oct. 10, 2000**

(51) **LOC (7) Cl.** **07-06**

(52) **U.S. Cl.** **D7/701; D12/419**

(58) **Field of Search** **D7/701, 707, 708, D7/619; D9/341, 347; D12/415, 419, 420, 421; 211/71.01, 74; 224/483, 275, 544, 926; 248/311.2**

(56) **References Cited**

U.S. PATENT DOCUMENTS

5,072,909	12/1991	Huang	248/311.2
5,915,561	* 6/1999	Iorenzana et al.	D7/701
6,099,062	8/2000	Siegel	296/37.12
6,189,755	* 2/2001	Wakefield	224/542

* cited by examiner

Primary Examiner—Terry A. Wallace

(74) *Attorney, Agent, or Firm*—Michael W. Ferrell

(57) **CLAIM**

The ornamental design for a cup-holder insert with snack carrier, as shown and described.

DESCRIPTION

A portion of the disclosure of this patent document contains material to which a claim for copyright is made. The copyright owner has no objection to the facsimile reproduction by anyone of the patent document or the patent disclosure as it appears in the Patent and Trademark Office patent file or records, but reserves all other copyright rights whatsoever.

FIG. 1 is a view in perspective of the inventive cup-holder insert with snack carrier;

FIG. 2 is a view in elevation along a longer side of the cup-holder insert of FIG. 1;

FIG. 3 is a view in elevation of the cup-holder insert of FIG. 1 along the side without the snack carrier portion of the cup-holder insert;

FIG. 4 is a view in elevation of the cup-holder insert of FIG. 1 along the side of the cup-holder insert provided with the snack carrier portion;

FIG. 5 is a top plan view of the cup-holder insert of FIG. 1; and,

FIG. 6 is a bottom plan view of the cup-holder insert of FIG. 1.

1 Claim, 4 Drawing Sheets

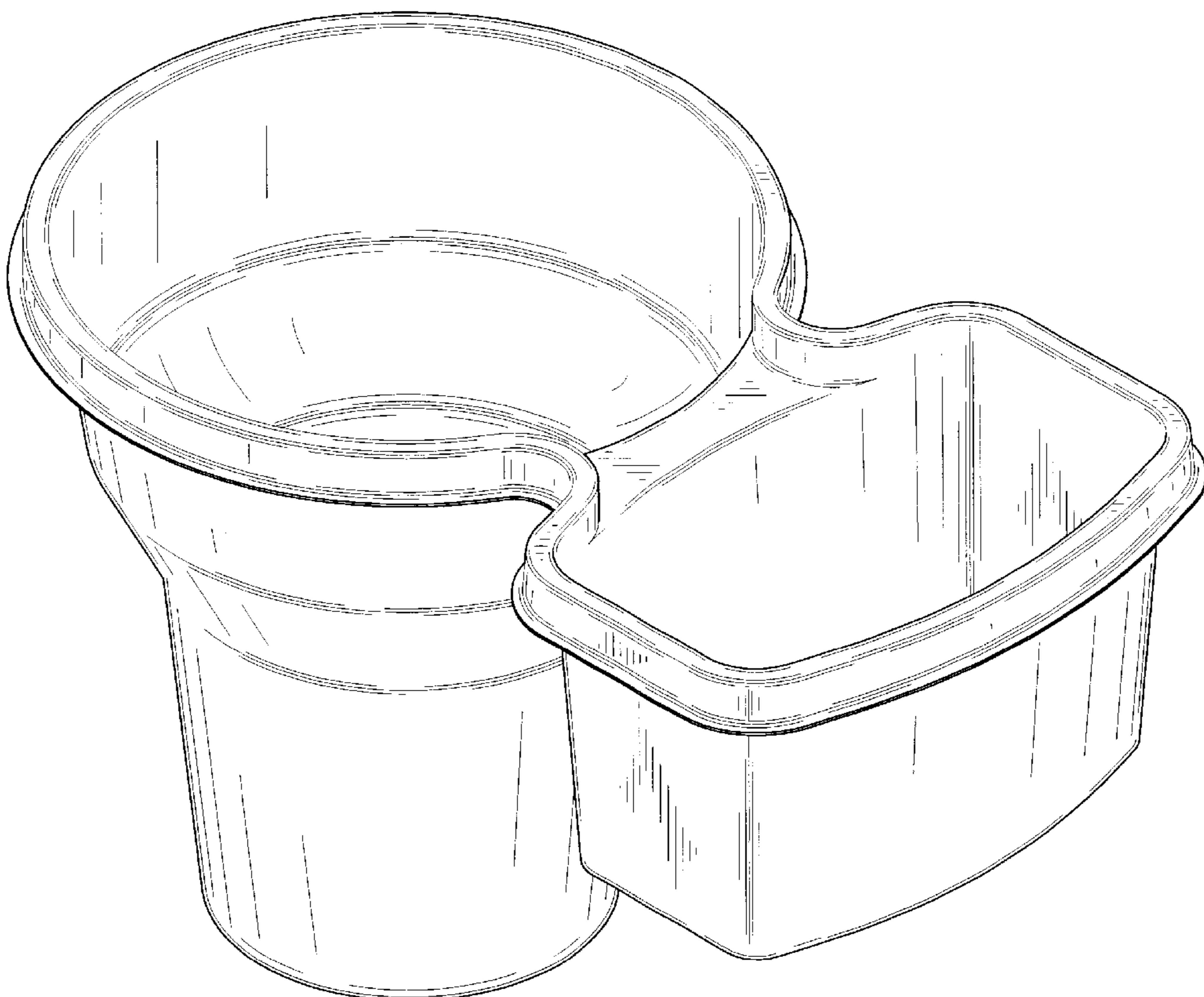


FIG. 1

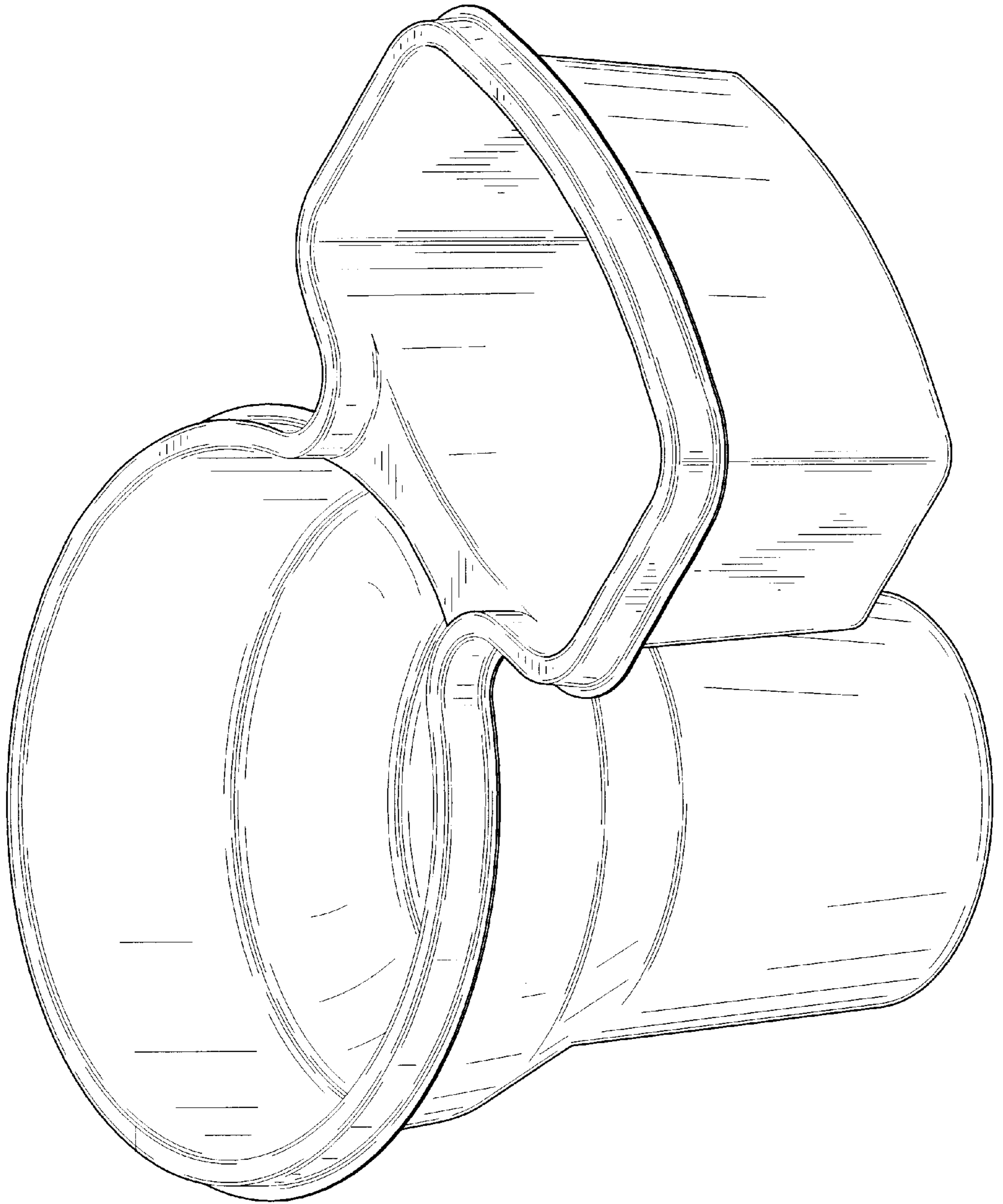


FIG. 2

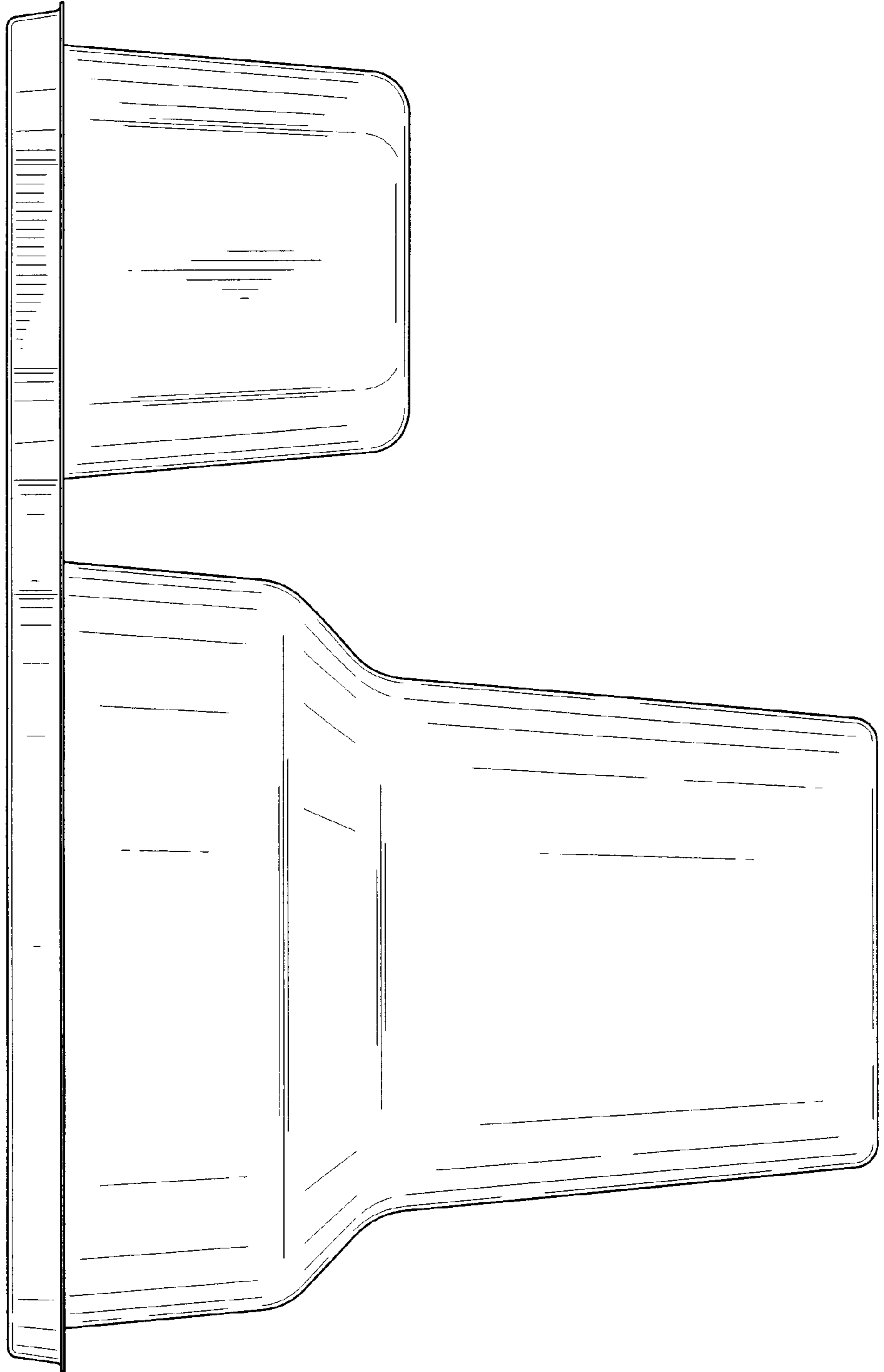


FIG. 4

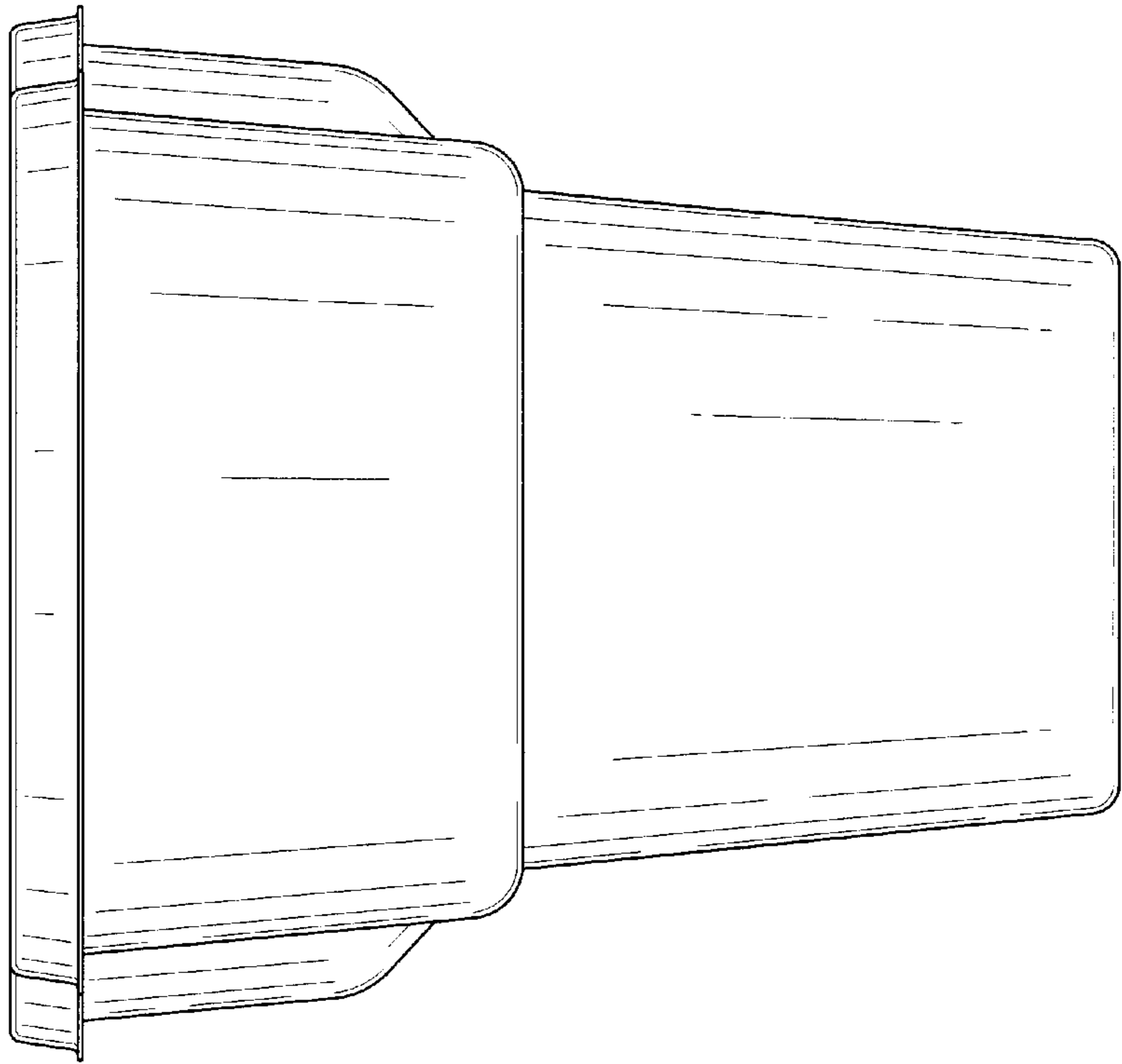


FIG. 3

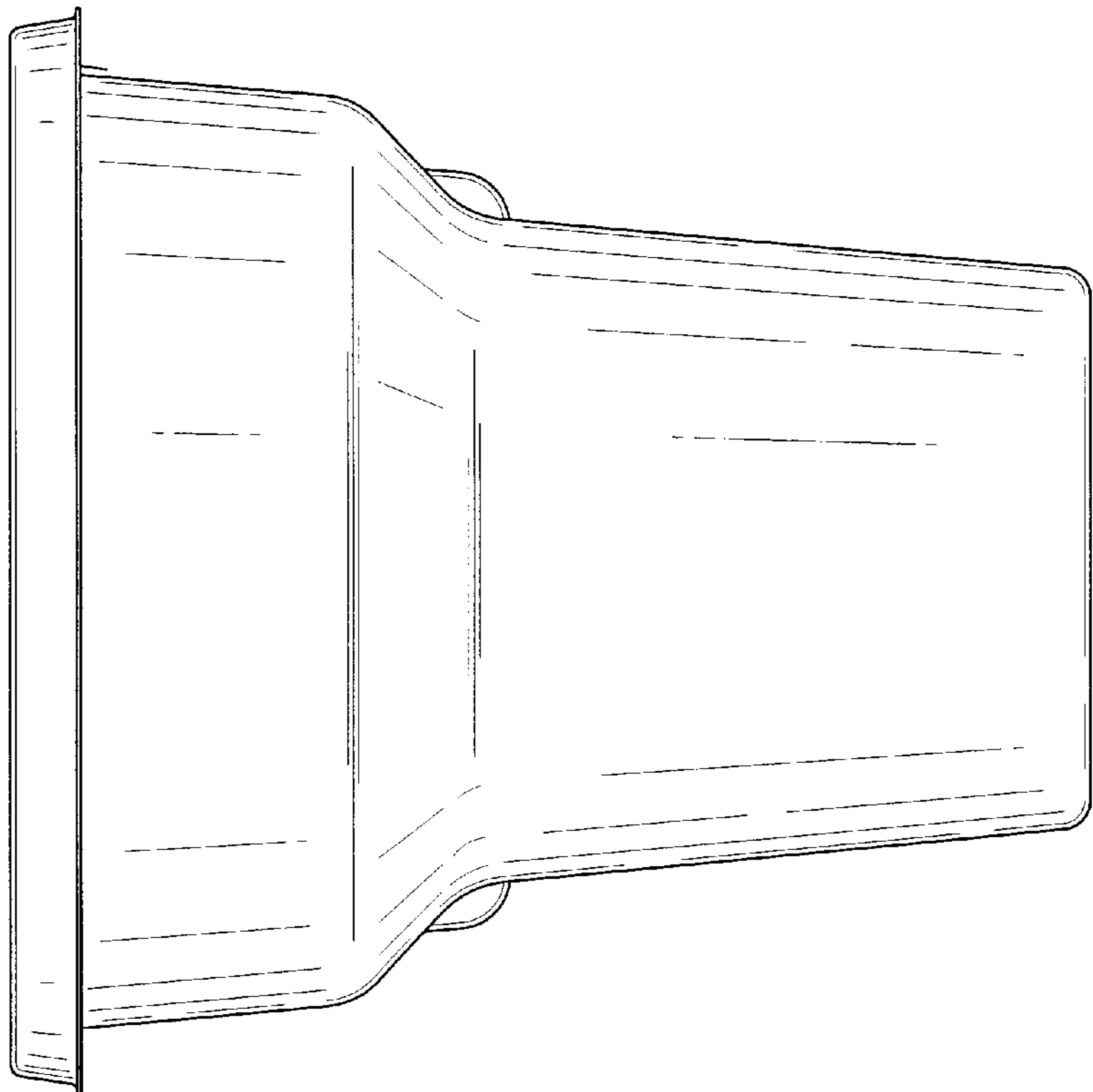


FIG. 5

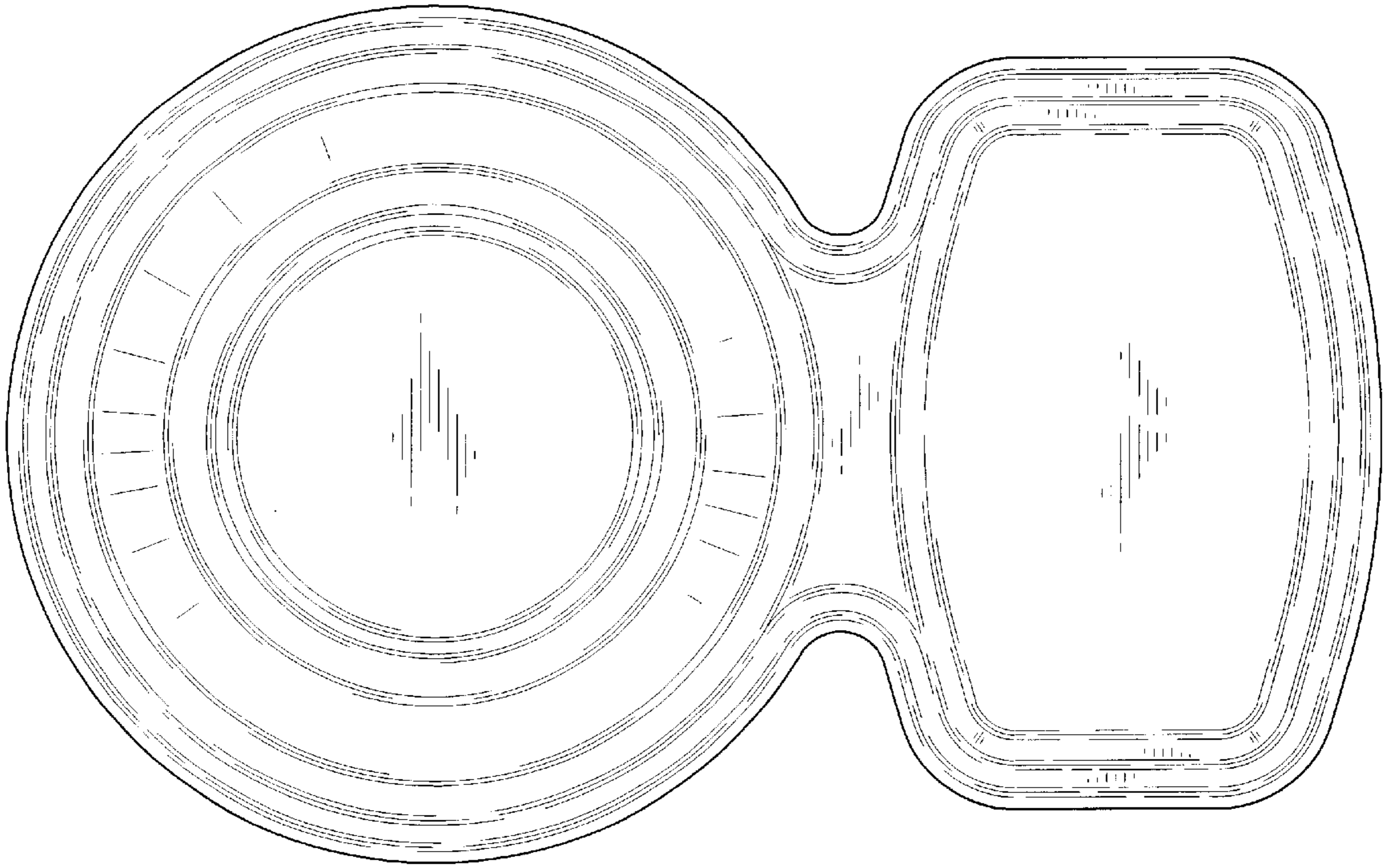


FIG. 6

