



US00D447023B1

(12) **United States Design Patent**
Kaposi et al.

(10) **Patent No.:** **US D447,023 S**

(45) **Date of Patent:** **** Aug. 28, 2001**

(54) **SEASONING ROLLER TOOL**

448,482 * 3/1891 Ginter 452/145
3,138,823 * 6/1964 Langner 452/145

(75) Inventors: **Sascha Kaposi**, Seattle, WA (US);
William Fischer, Marietta, GA (US)

* cited by examiner

(73) Assignee: **Progressive International Corp.**, Kent,
WA (US)

Primary Examiner—Terry A. Wallace

(74) *Attorney, Agent, or Firm*—John R. Benefiel

(**) Term: **14 Years**

(57) **CLAIM**

The ornamental design for seasoning roller tool, as shown and described.

(21) Appl. No.: **29/125,877**

(22) Filed: **Jul. 3, 2000**

DESCRIPTION

(51) **LOC (7) Cl.** **07-04**

(52) **U.S. Cl.** **D7/682**

(58) **Field of Search** D7/682, 683, 694;
30/292, 306, 307, 319; 452/145, 141; D8/14,
105

FIG. 1 is a top view of the seasoning roller according to the invention.

FIG. 2 is a side view of the seasoning roller shown in FIG. 1, the opposite side view being identical.

FIG. 3 is a front end view of the seasoning roller shown in FIGS. 1 and 2.

FIG. 4 is a rear end view of the seasoning roller shown in FIGS. 1-3; and,

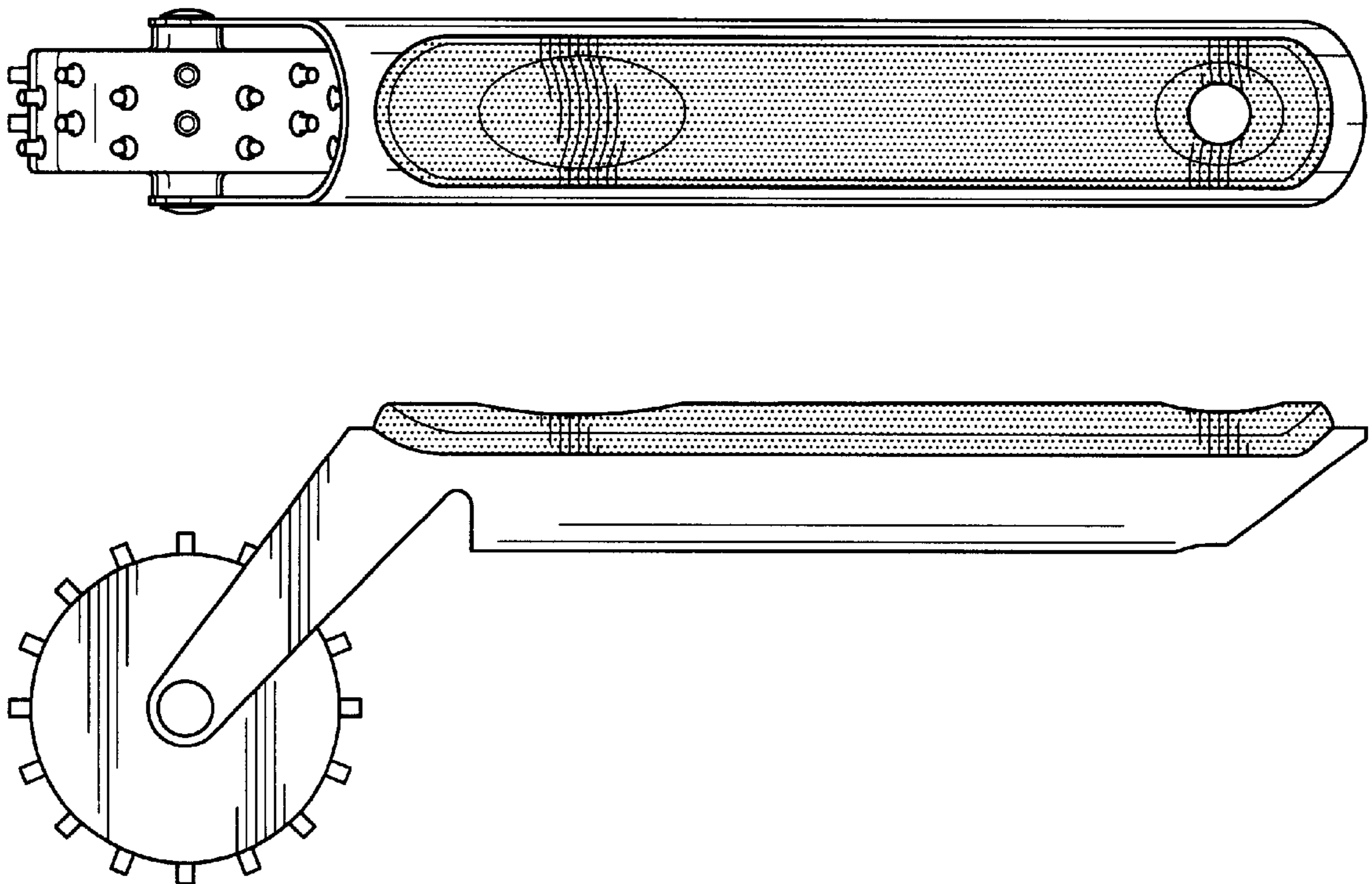
FIG. 5 is a bottom view of the seasoning roller shown in FIGS. 1-4.

(56) **References Cited**

U.S. PATENT DOCUMENTS

- D. 252,126 * 6/1979 Durant D7/683
- D. 312,950 * 12/1990 Bell D7/694
- D. 395,806 * 7/1998 Fischer D7/694

1 Claim, 1 Drawing Sheet



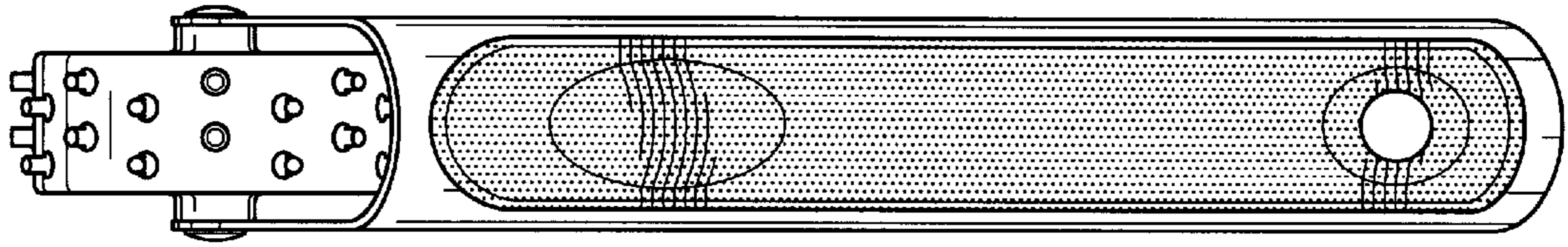


Figure 1

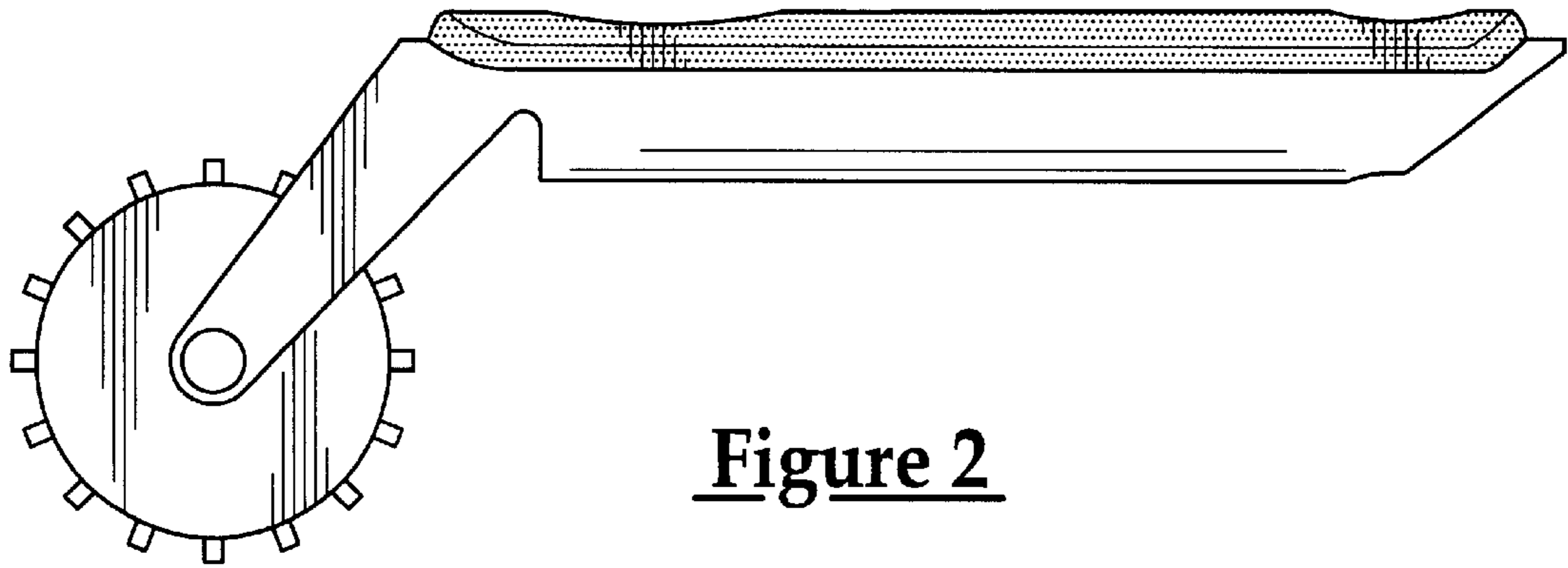


Figure 2

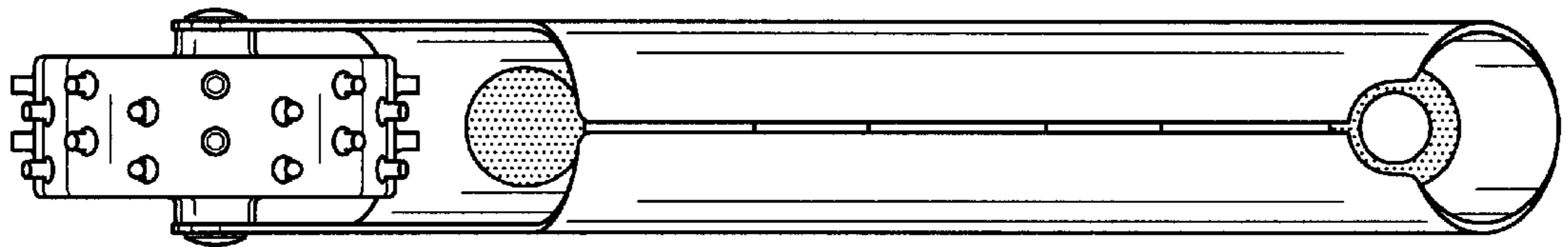


Figure 3

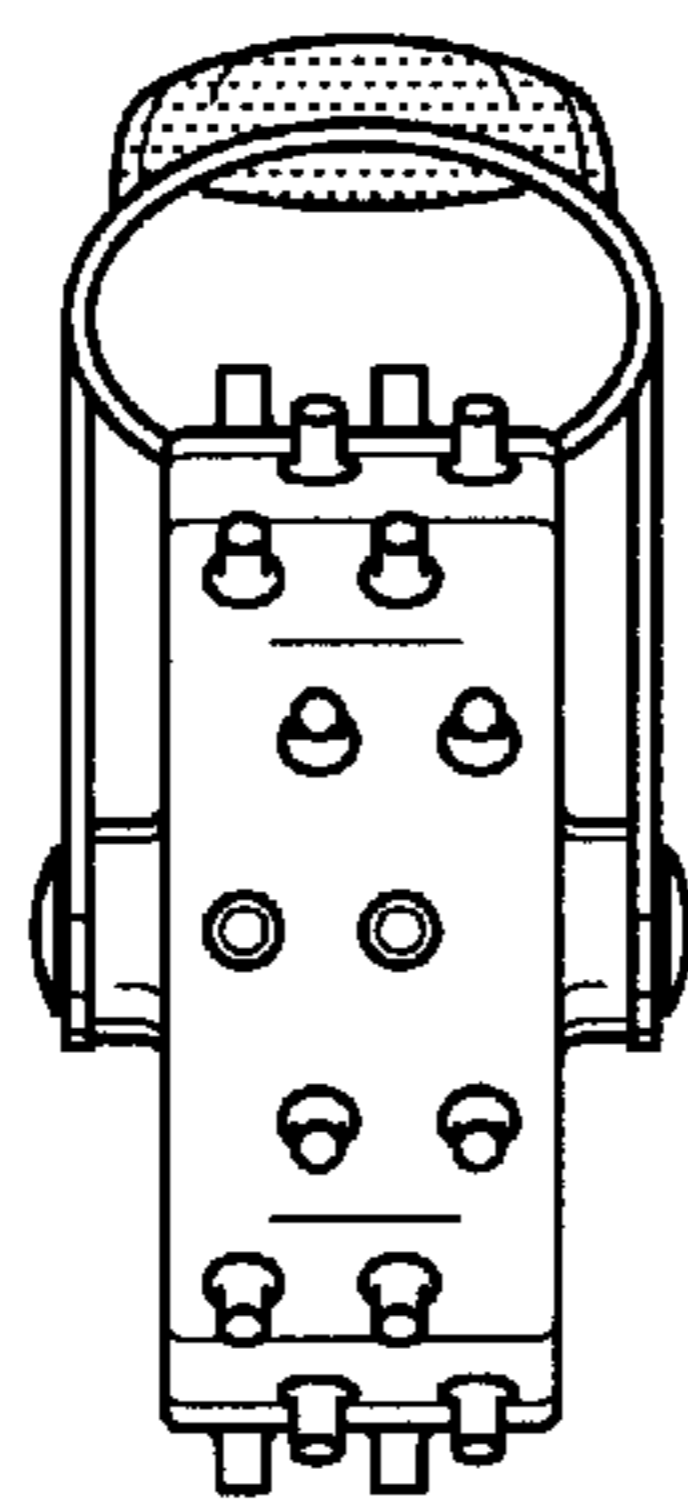


Figure 4

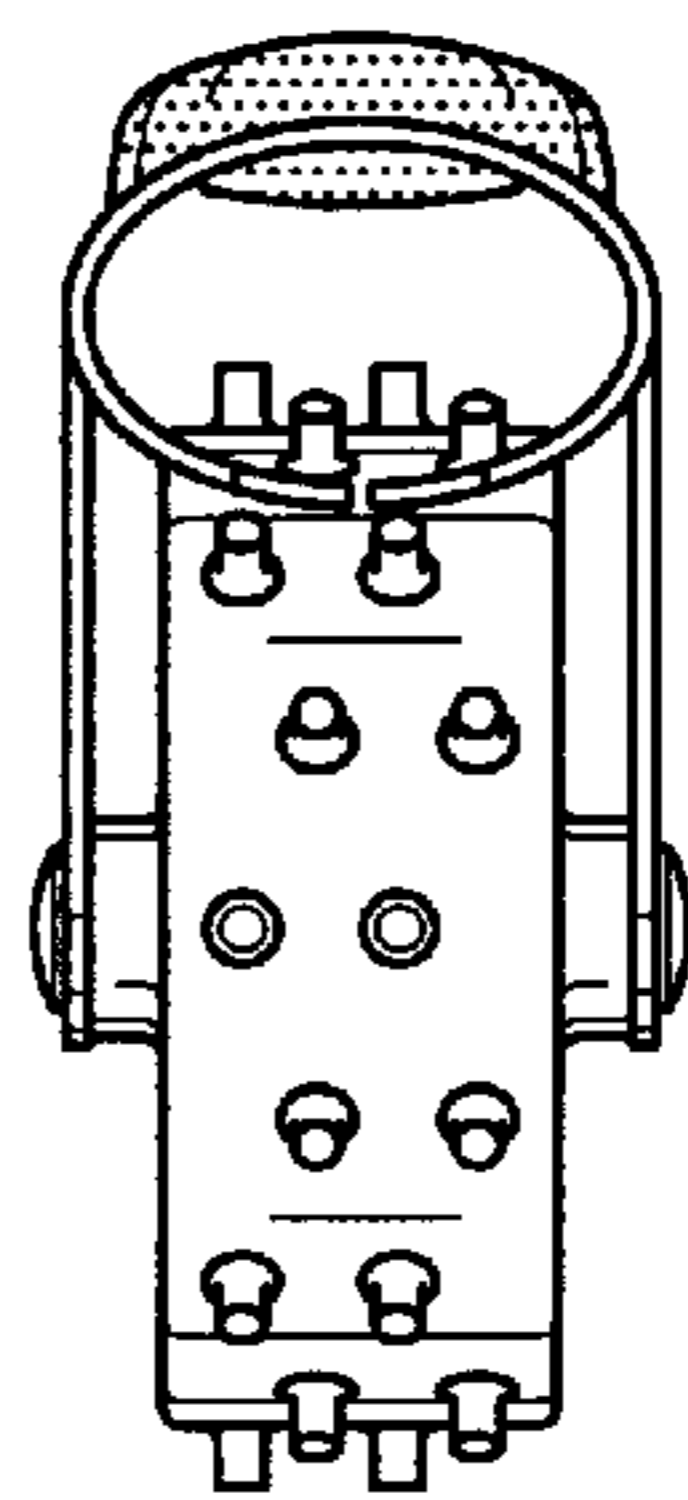


Figure 5