



US00D447019B1

(12) **United States Design Patent**  
**Wong**

(10) **Patent No.:** **US D447,019 S**

(45) **Date of Patent:** **\*\* Aug. 28, 2001**

(54) **SET OF INTERCHANGEABLE CUTTING IMPLEMENTS**

4,038,892 \* 8/1977 Popeil ..... 83/874  
4,247,054 \* 1/1981 Schulein et al. .... 241/95

(76) Inventor: **Yan Kwong Wong**, Flat 17, 10th Floor,  
Metro Centre II, 21 Lam Hing Street,  
Kowloon Bay, Kowloon (HK)

\* cited by examiner

*Primary Examiner*—Terry A. Wallace

(74) *Attorney, Agent, or Firm*—Salter & Michaelson

(\*\*) Term: **14 Years**

(57) **CLAIM**

(21) Appl. No.: **29/118,782**

The ornamental design for a set of interchangeable cutting implements, as shown and described.

(22) Filed: **Feb. 15, 2000**

**DESCRIPTION**

(30) **Foreign Application Priority Data**

Aug. 19, 1999 (HK) ..... 9911084

(51) **LOC (7) Cl.** ..... **07-04**

(52) **U.S. Cl.** ..... **D7/673**

(58) **Field of Search** ..... D7/672, 673, 693,  
D7/695, 678, 381, 665, 666; 83/167, 699.51,  
856-858; 241/100, 95, 168, 169, 273.1-273.4,  
285.1-285.3

FIG. 1 is a exploded perspective view of the set of interchangeable cutting implements showing my new design; FIG. 2 is a perspective view of a portion of the set in an assembled condition, shown separately for clarity of illustration; FIG. 3 is a top plan view of FIG. 2; FIG. 4 is a bottom plan view of FIG. 2; FIG. 5 is a left side elevation view of FIG. 2; FIG. 6 is a right side elevation view of FIG. 2; FIG. 7 is a front elevation view of FIG. 2; and, FIG. 8 is a rear elevation view of FIG. 2.

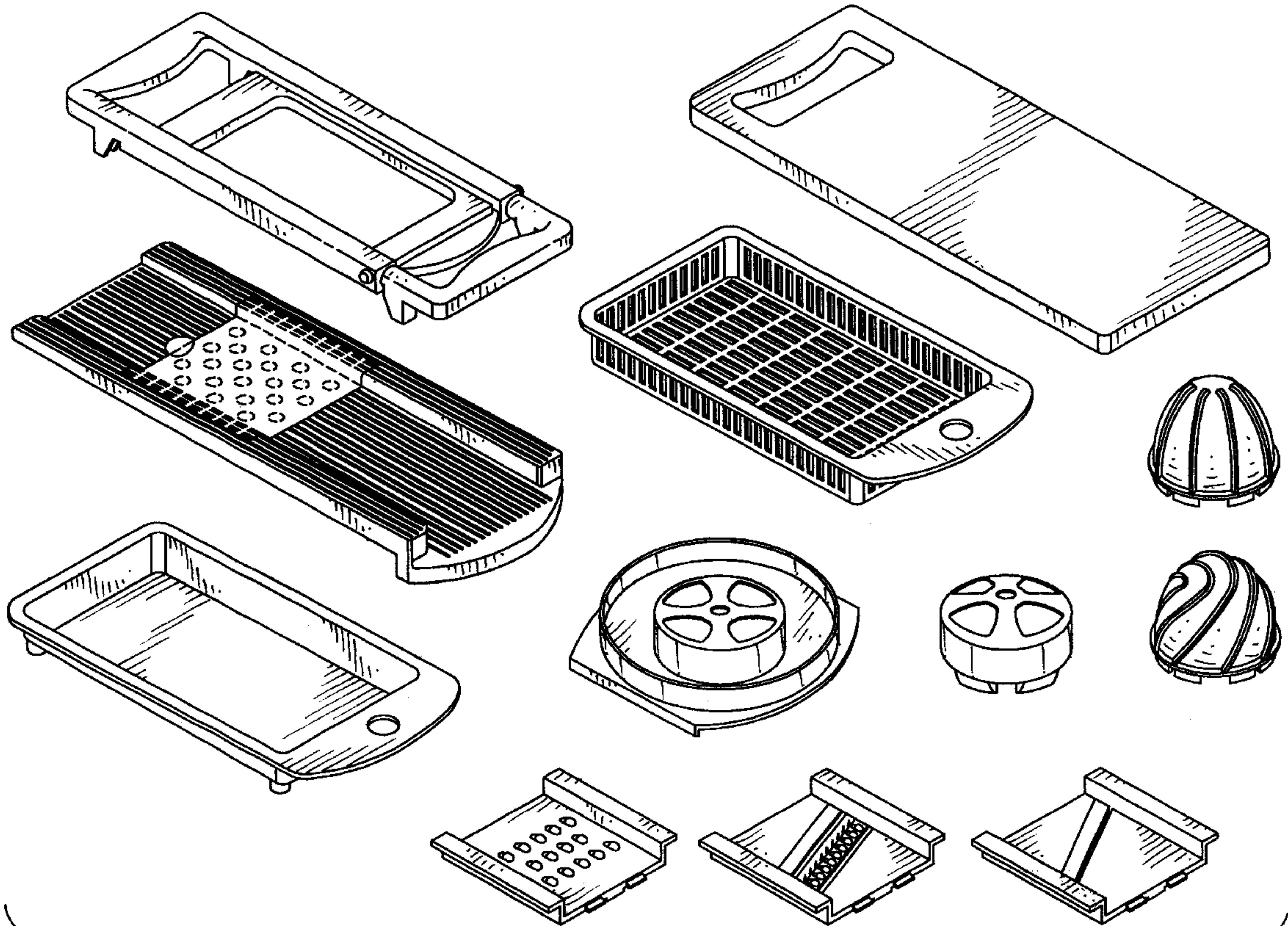
(56) **References Cited**

**U.S. PATENT DOCUMENTS**

D. 326,388 \* 5/1992 Boerner ..... D7/381  
D. 354,886 \* 1/1995 Diefenbach ..... D7/678  
D. 408,693 \* 4/1999 Wong ..... D7/667

The broken lines are for illustrative purposes only and form no part of the claimed design.

**1 Claim, 4 Drawing Sheets**





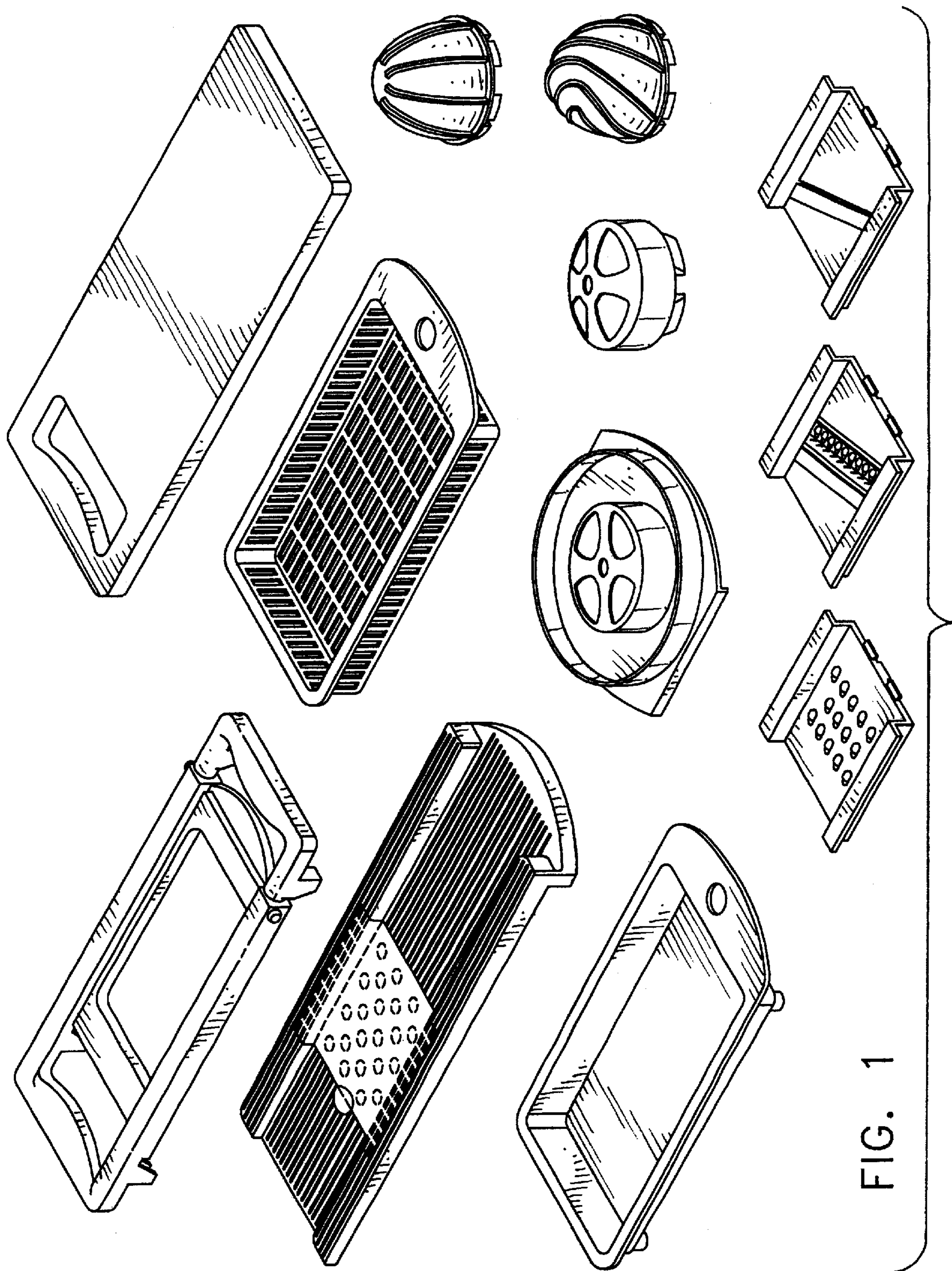


FIG. 1

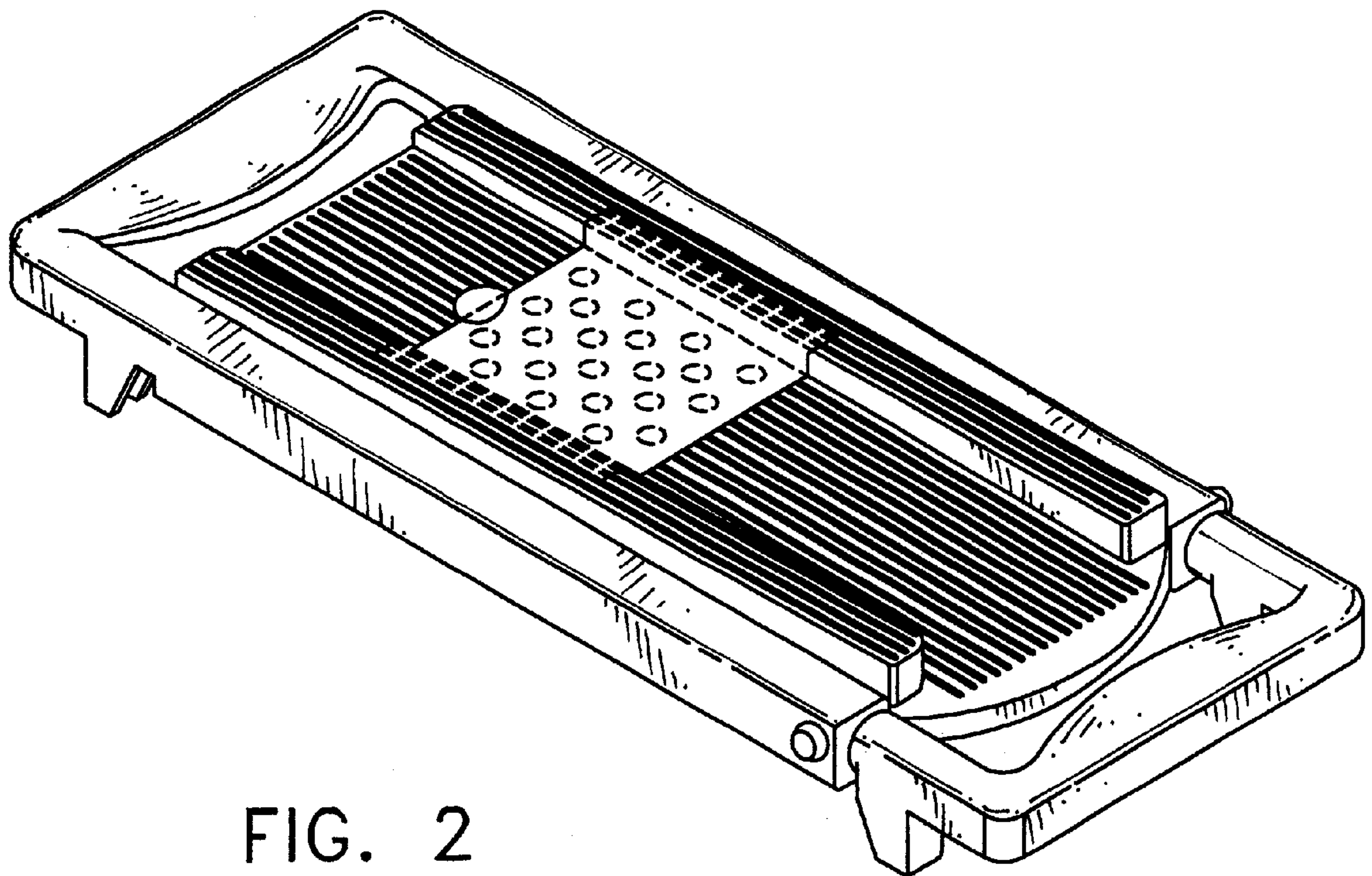


FIG. 2

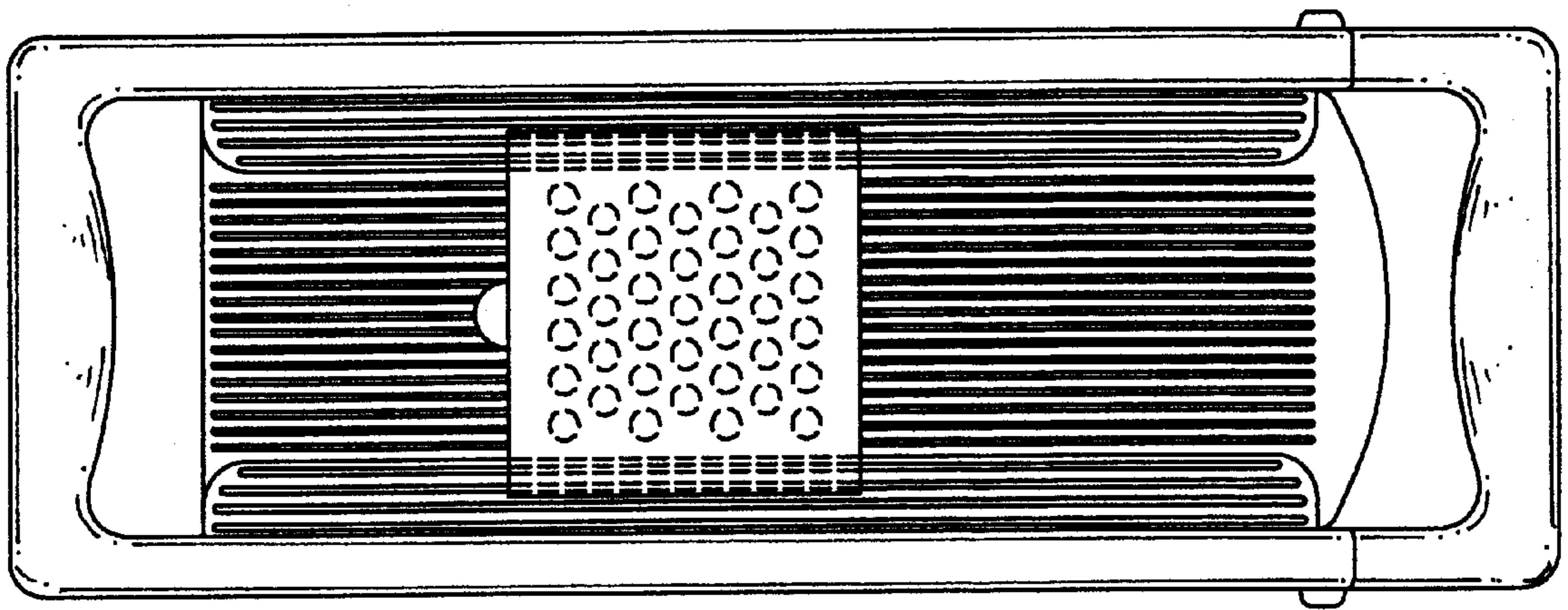


FIG. 3

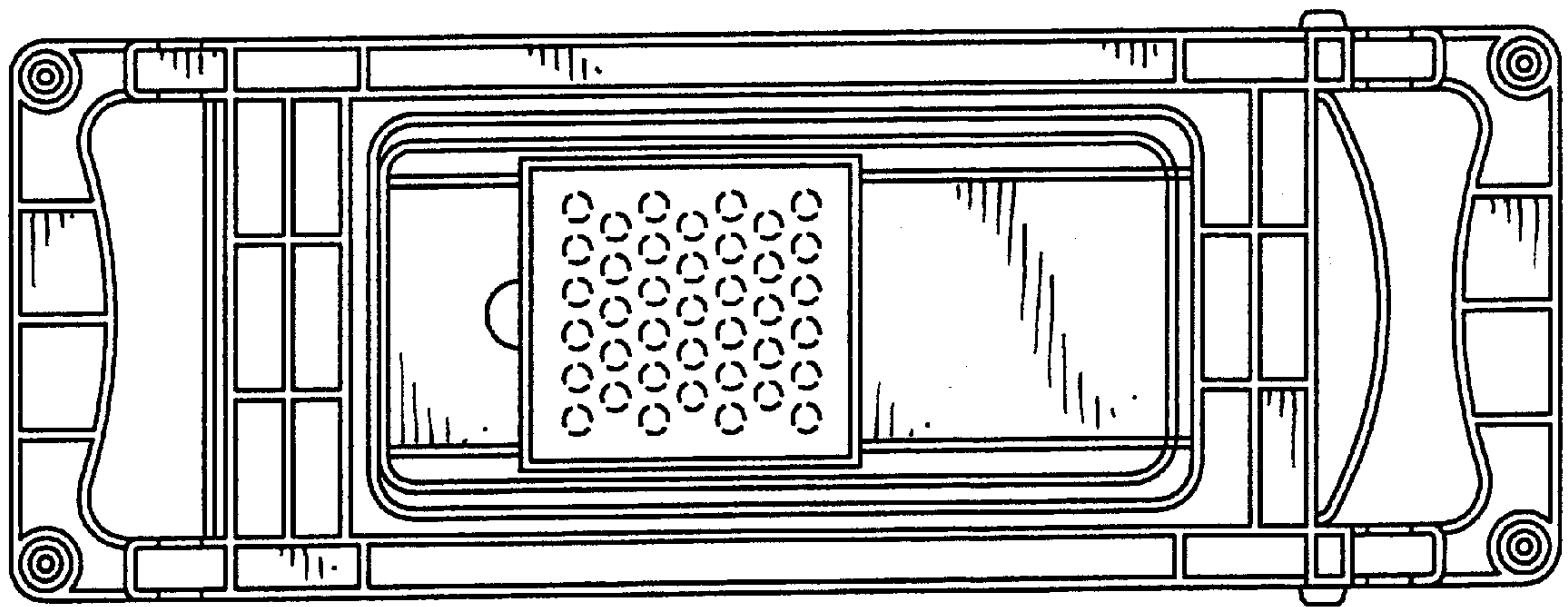


FIG. 4



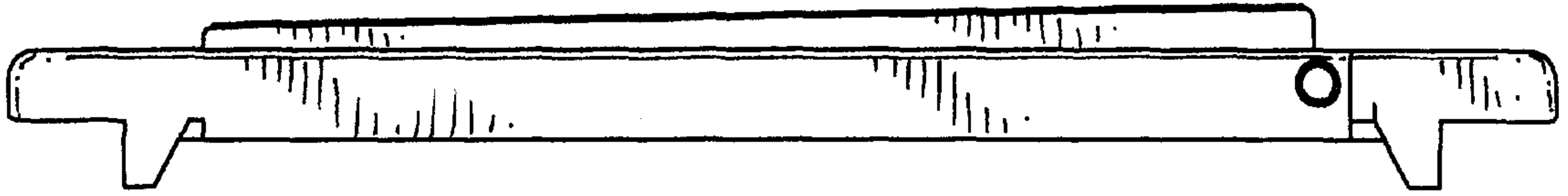


FIG. 5

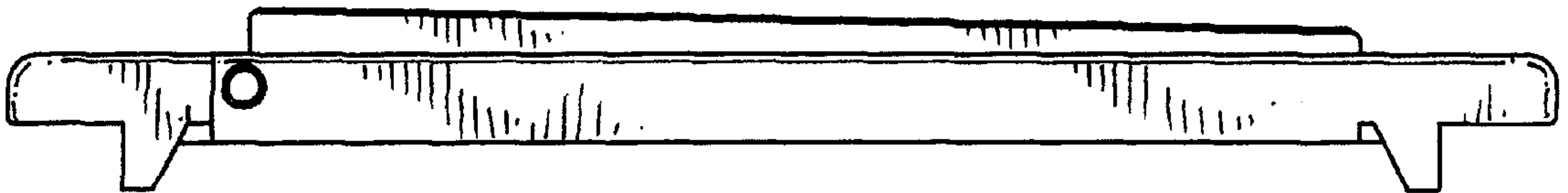


FIG. 6

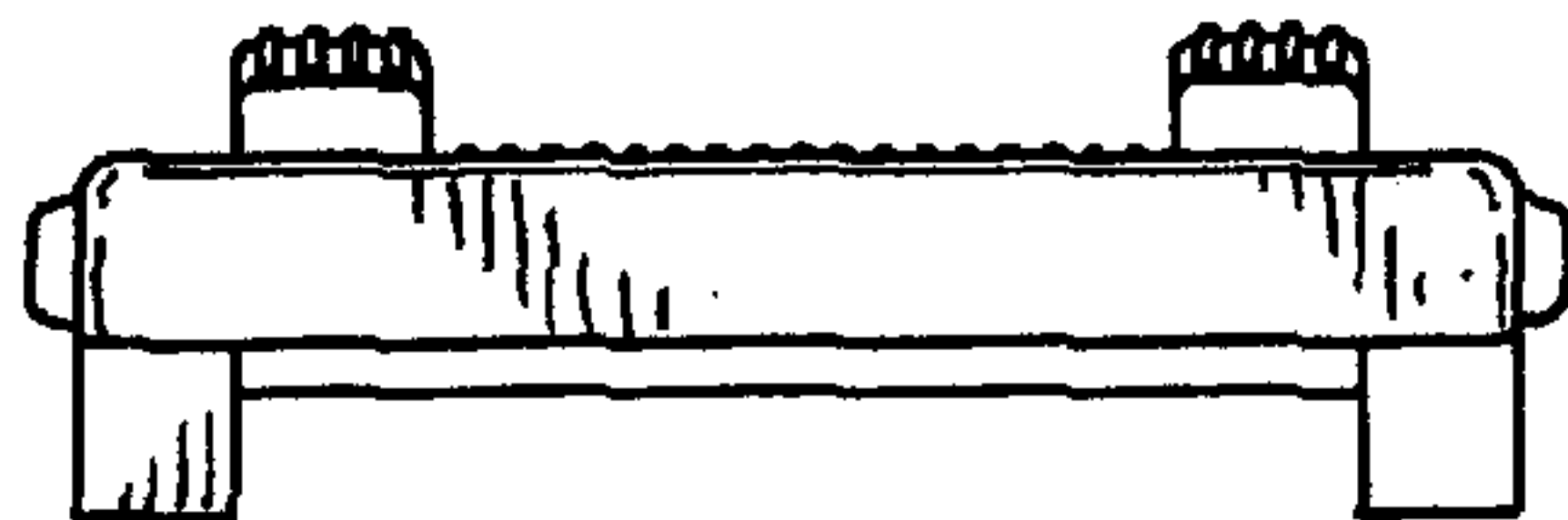


FIG. 7

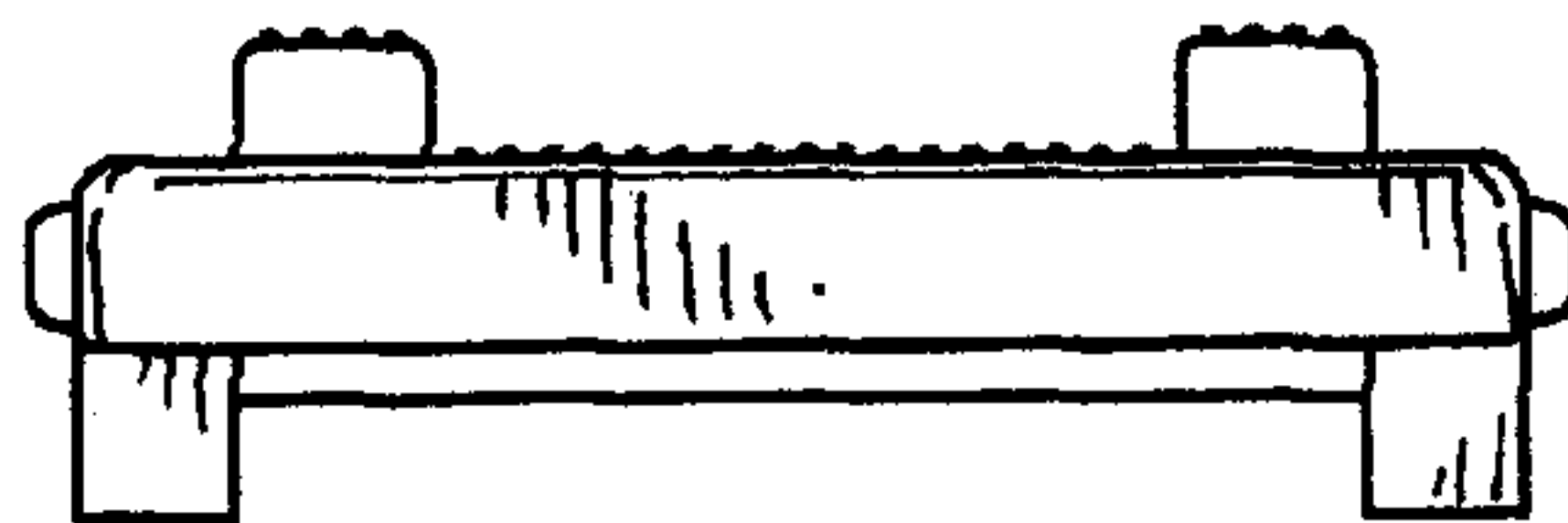


FIG. 8