



US00D447018B1

(12) **United States Design Patent**  
**Meyer**

(10) **Patent No.:** **US D447,018 S**

(45) **Date of Patent:** **\*\* Aug. 28, 2001**

(54) **CAKE CUTTING KNIFE BLADE**

(75) Inventor: **Debbie Jean Meyer**, Newtown, CT  
(US)

(73) Assignee: **Housewares America, Inc.**, New York,  
NY (US)

(\*\*) Term: **14 Years**

(21) Appl. No.: **29/117,636**

(22) Filed: **Jan. 28, 2000**

(51) **LOC (7) Cl.** ..... **07-04**

(52) **U.S. Cl.** ..... **D7/673; D7/693**

(58) **Field of Search** ..... **D7/672, 673, 693,**  
**D7/696; 30/114, 302, 303, 304, 124; 294/99.2**

(56) **References Cited**

**U.S. PATENT DOCUMENTS**

D. 248,271	*	6/1978	McGee	.....	D7/649
D. 400,064	*	10/1998	Tellez	.....	D7/669
D. 413,050	*	8/1999	Meyer	.....	D7/673
2,264,486	*	12/1941	Smith et al.	.....	30/114
2,600,646	*	6/1952	Haughland	.....	30/114
2,841,868	*	7/1958	O'Brien	.....	30/114

\* cited by examiner

*Primary Examiner*—Terry A. Wallace

(74) *Attorney, Agent, or Firm*—Frishauf, Holtz, Goodman,  
Langer & Chick, P.C.

(57) **CLAIM**

The ornamental design for a cake cutting knife blade, as  
shown and described.

**DESCRIPTION**

FIG. 1 is a top, front, right side perspective view of a cake  
cutting knife blade showing my new design;

FIG. 2 is a front elevational view thereof;

FIG. 3 is a rear elevational view thereof;

FIG. 4 is a right side elevational view thereof, the left side  
elevational view being a mirror image;

FIG. 5 is a top plan view thereof;

FIG. 6 is a bottom plan view thereof;

FIG. 7 is a top, front, right side perspective view of a  
modified embodiment thereof;

FIG. 8 is a front elevational view thereof;

FIG. 9 is a rear elevational view thereof;

FIG. 10 is a right side elevational view thereof, the left side  
elevational view being a mirror image;

FIG. 11 is a top plan view thereof;

FIG. 12 is a bottom plan view thereof;

FIG. 13 is a top, front, right side perspective view of another  
modified embodiment thereof;

FIG. 14 is a front elevational view thereof;

FIG. 15 is a rear elevational view thereof;

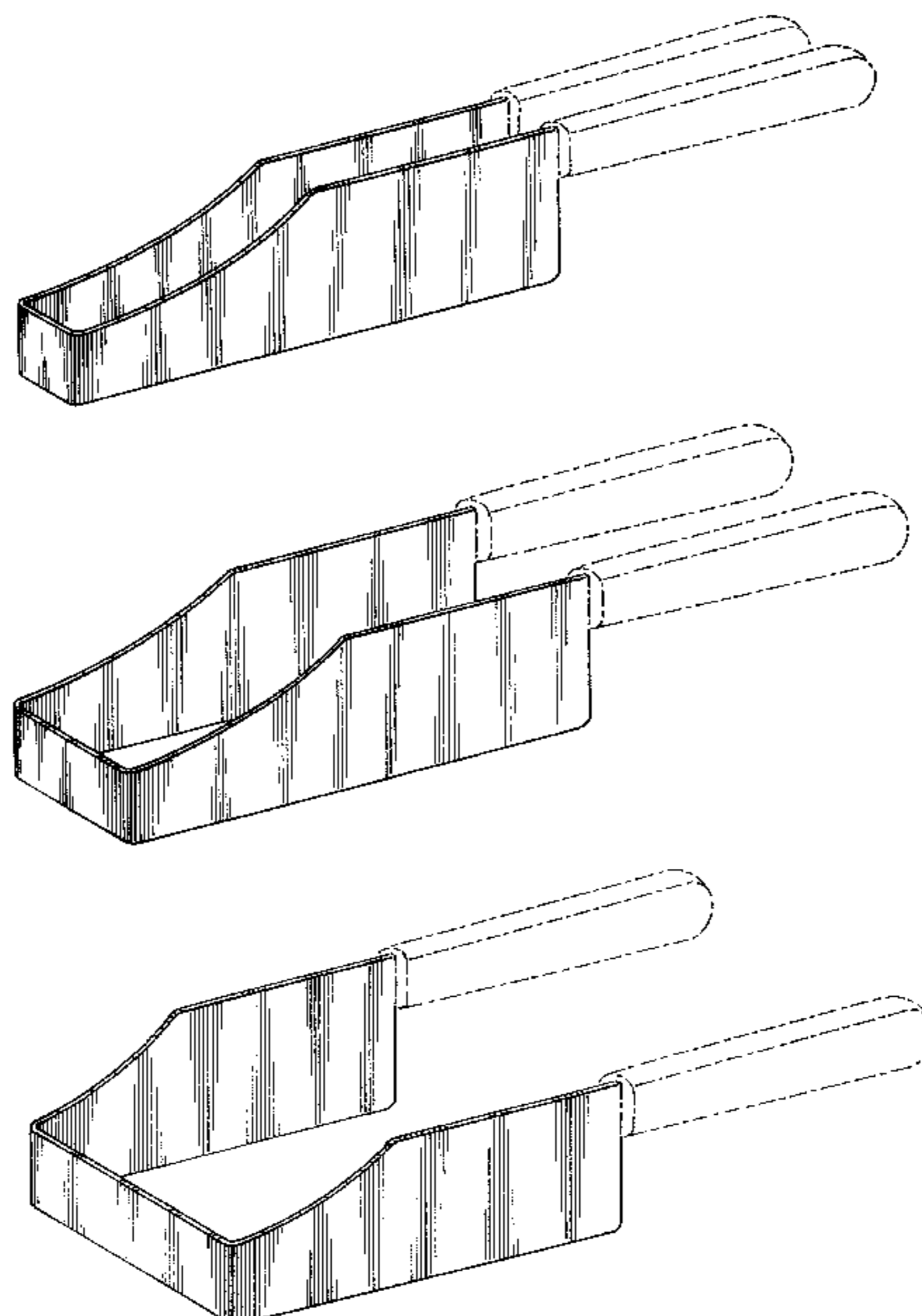
FIG. 16 is a right side elevational view thereof, the left side  
elevational view being a mirror image;

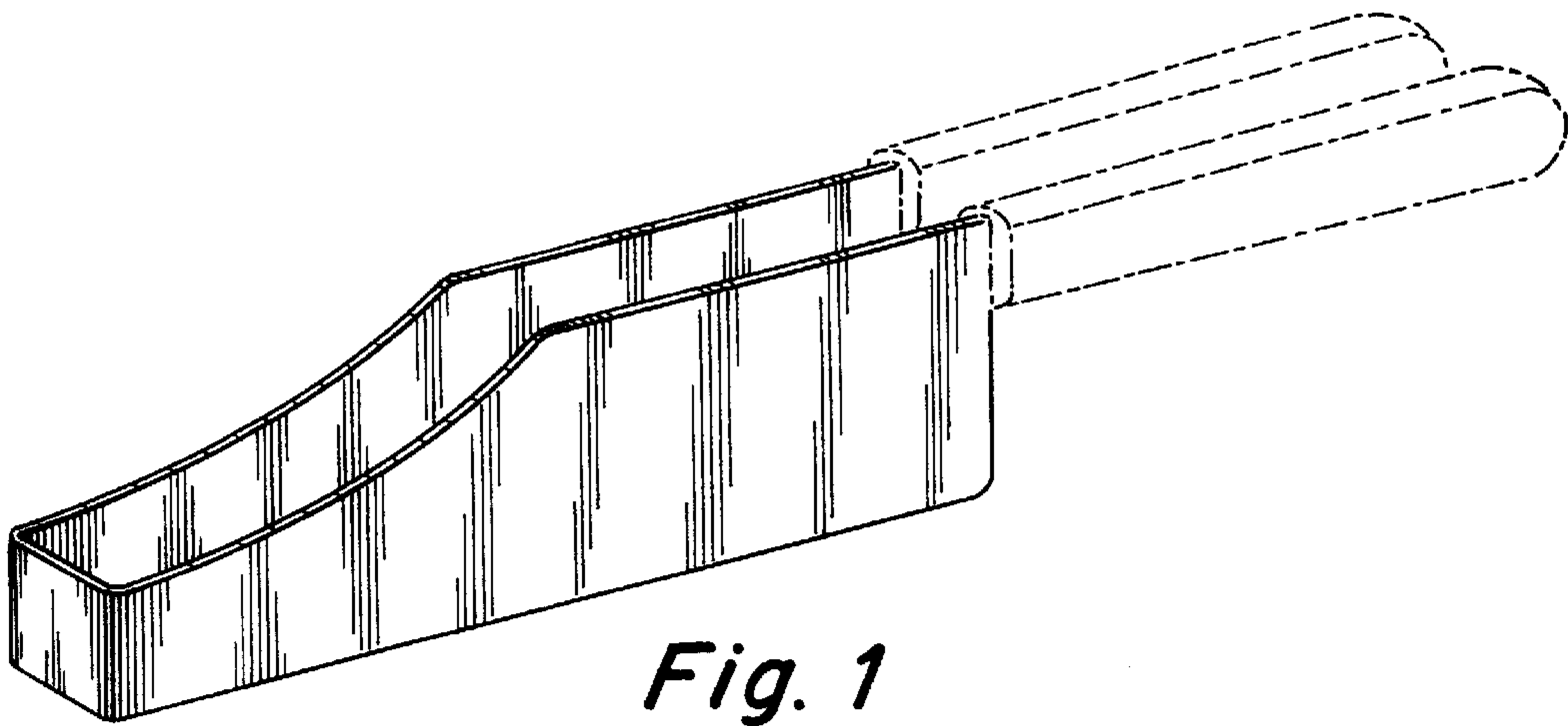
FIG. 17 is a top plan view thereof; and,

FIG. 18 is a bottom plan view thereof.

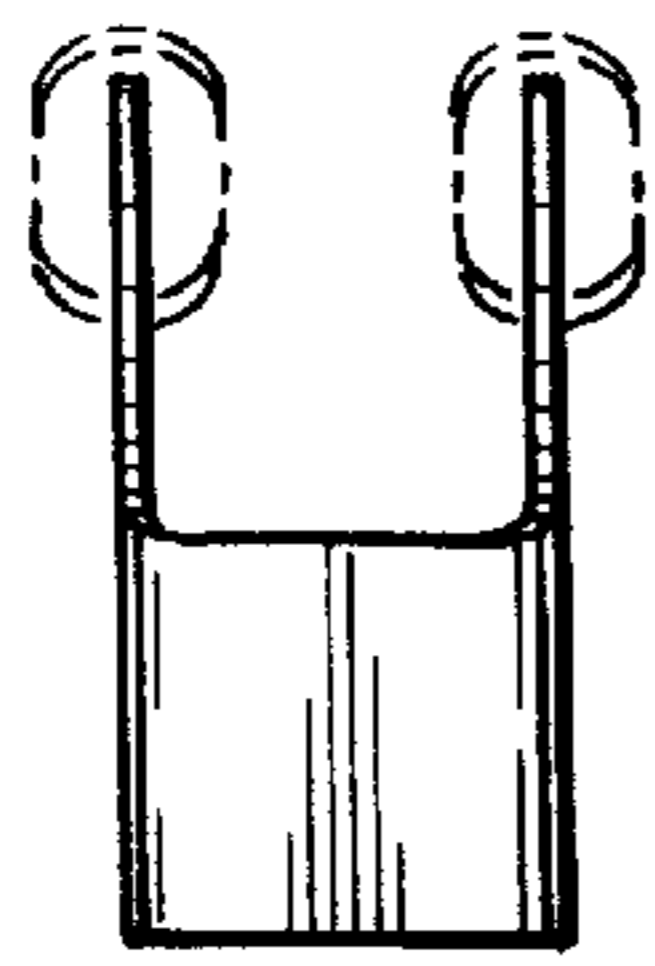
In all of the drawing figures, the handles shown in dashed  
lines are not a part of the claimed design.

**1 Claim, 4 Drawing Sheets**

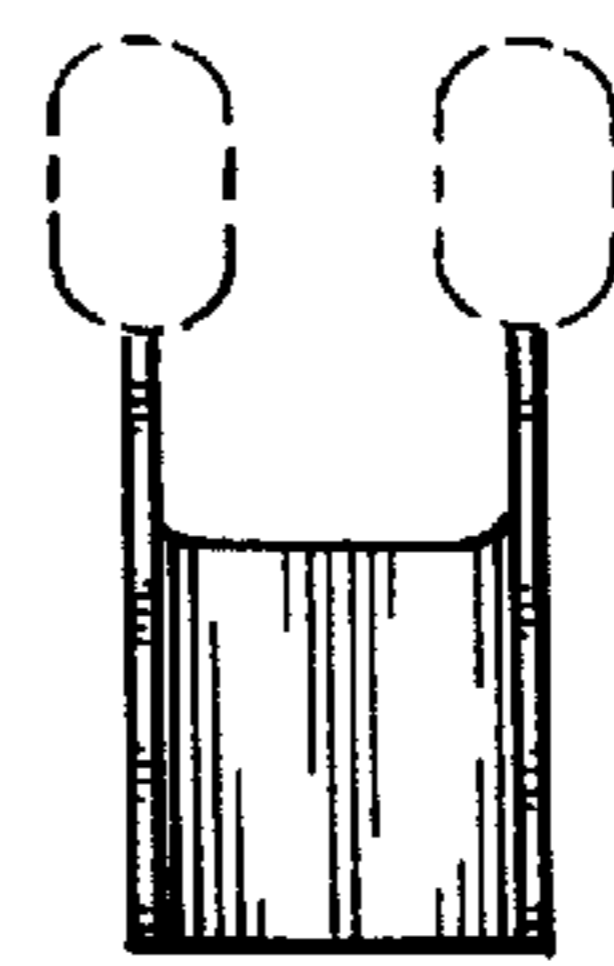




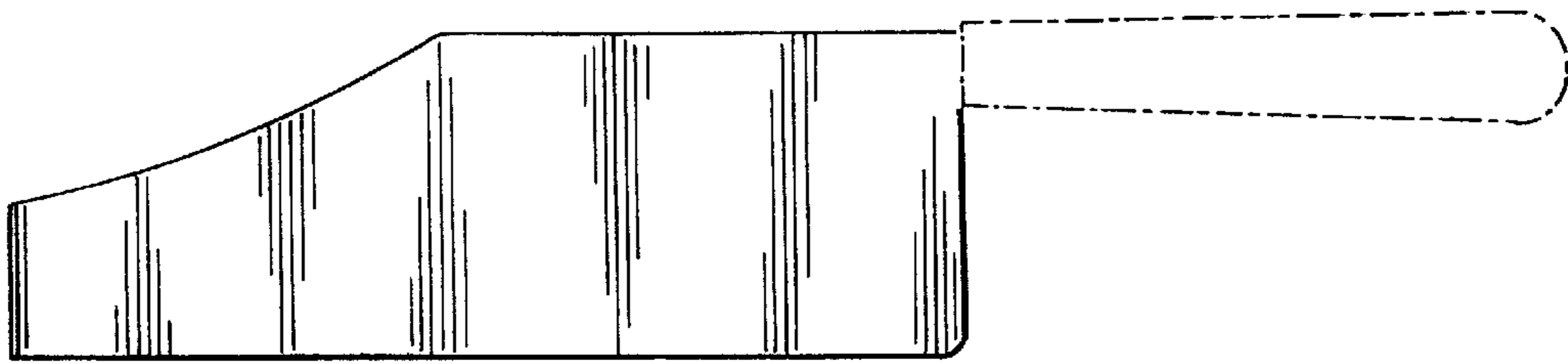
*Fig. 1*



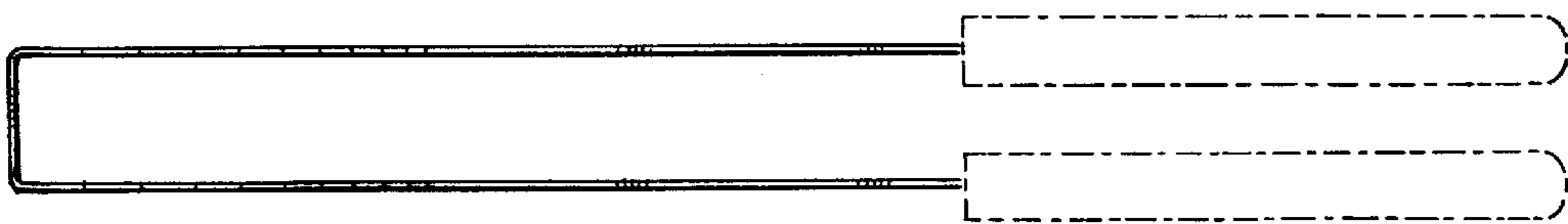
*Fig. 2*



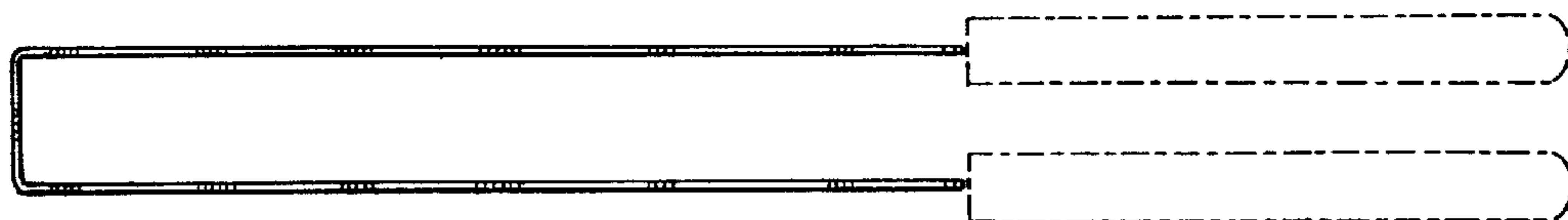
*Fig. 3*



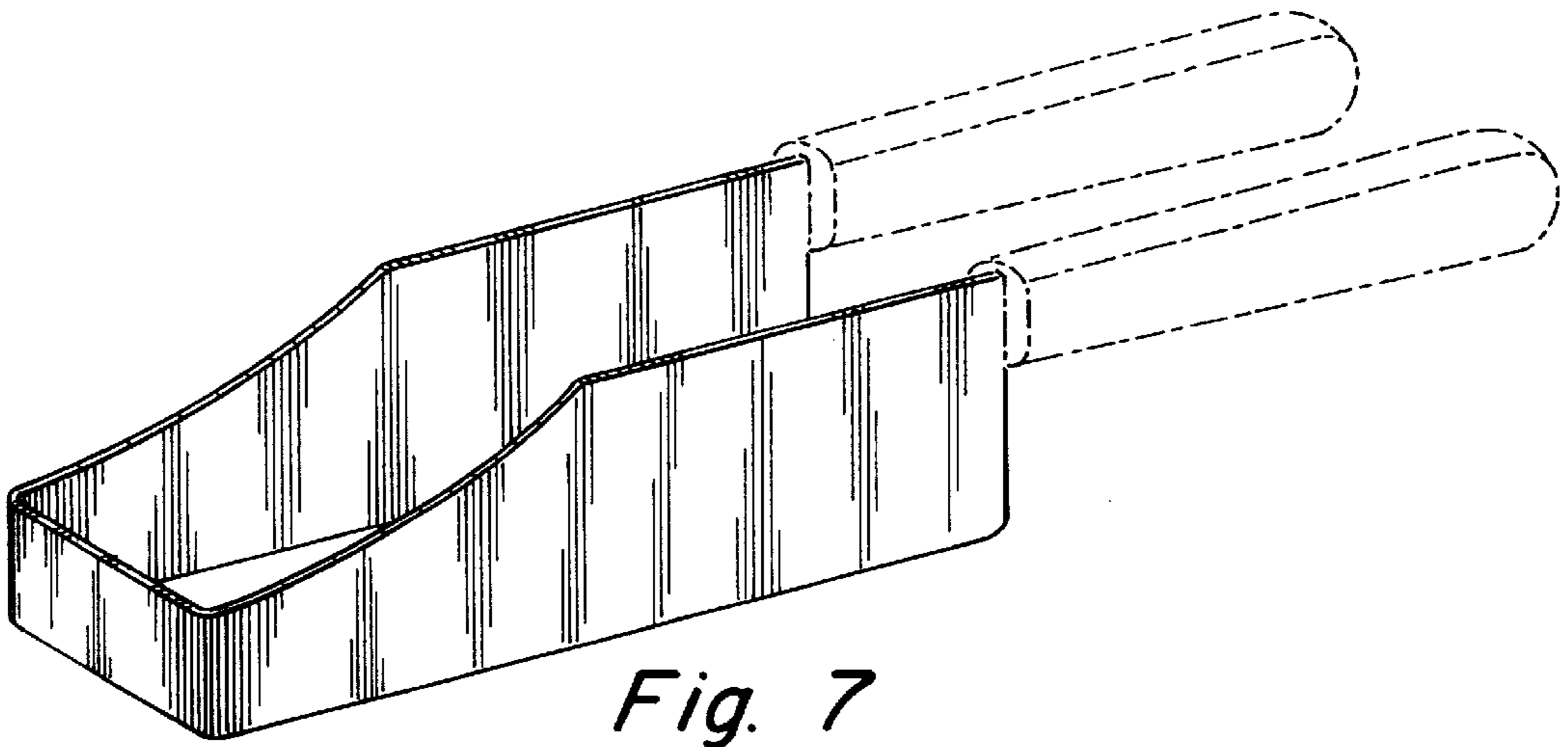
*Fig. 4*



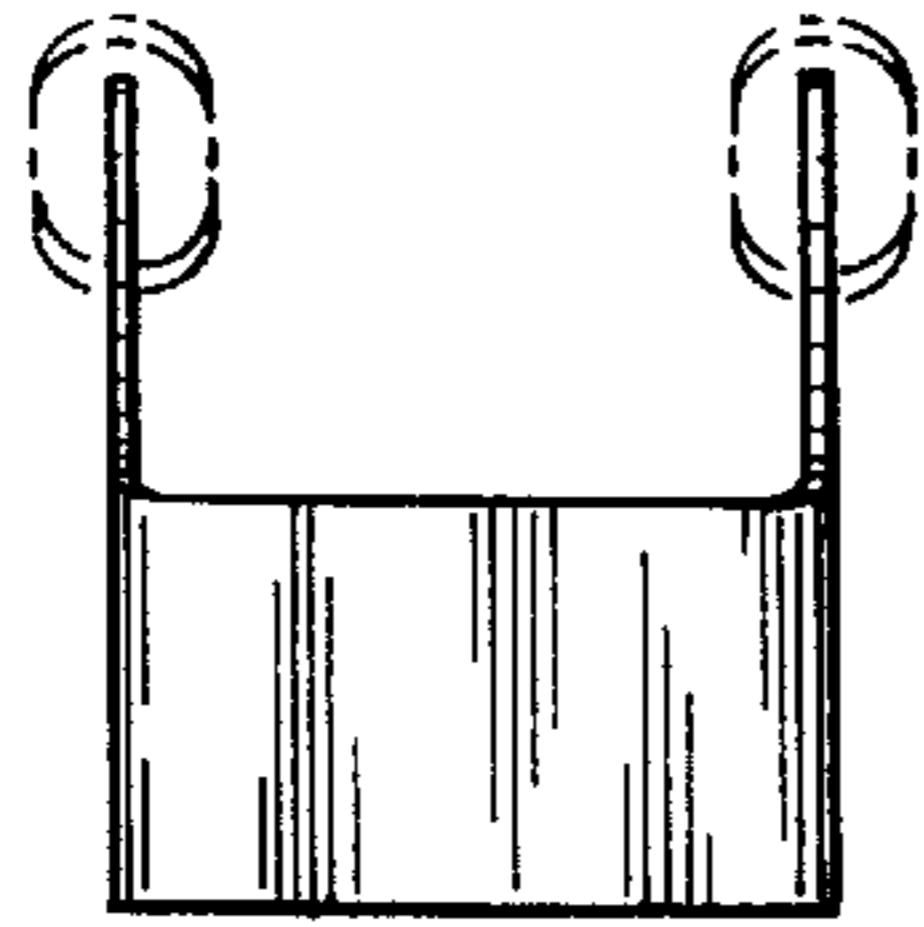
*Fig. 5*



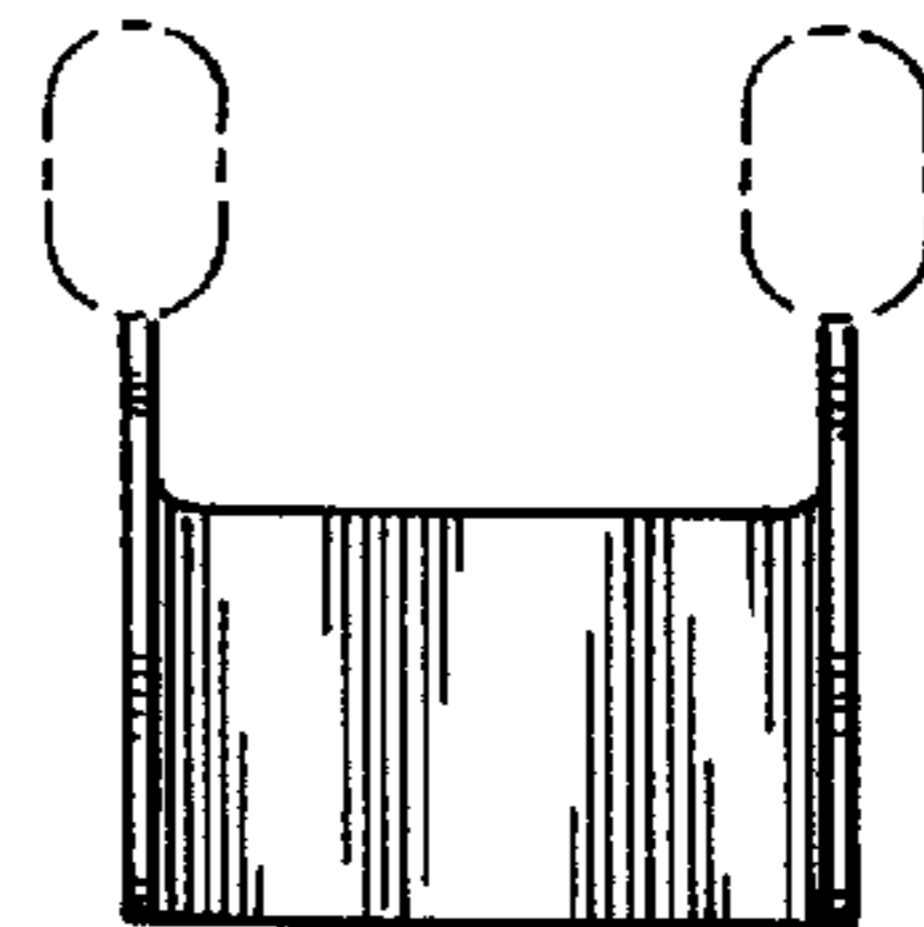
*Fig. 6*



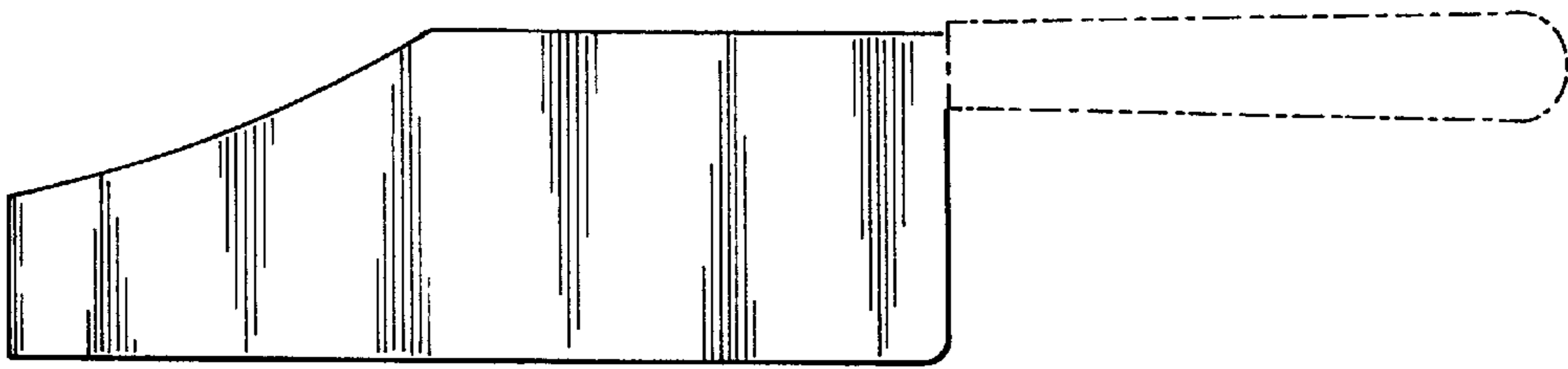
*Fig. 7*



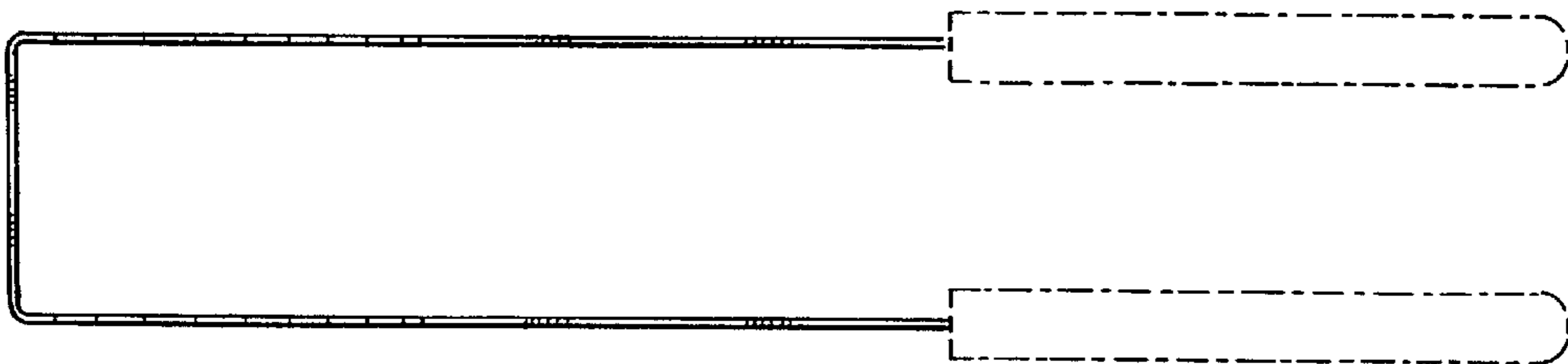
*Fig. 8*



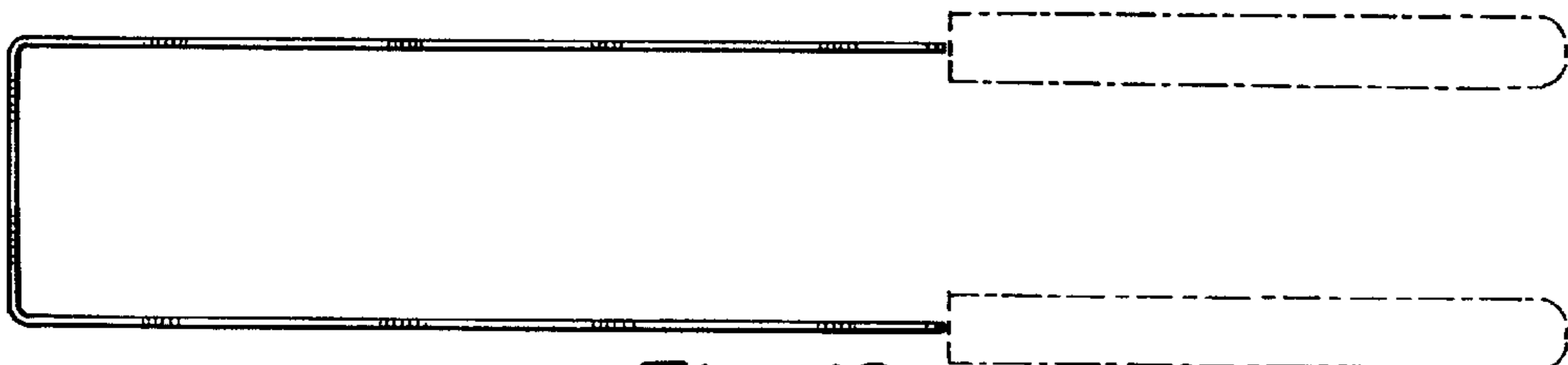
*Fig. 9*



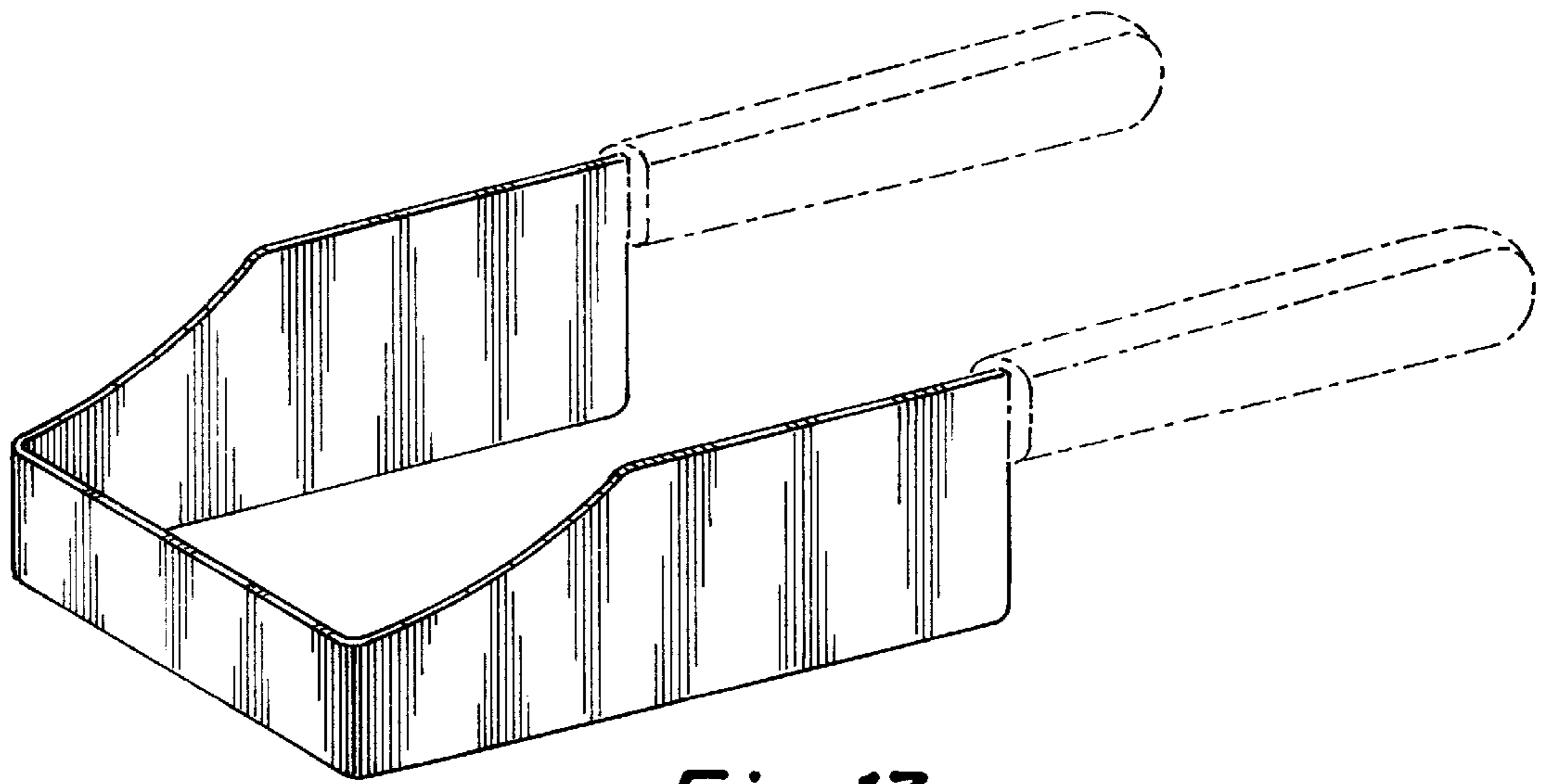
*Fig. 10*



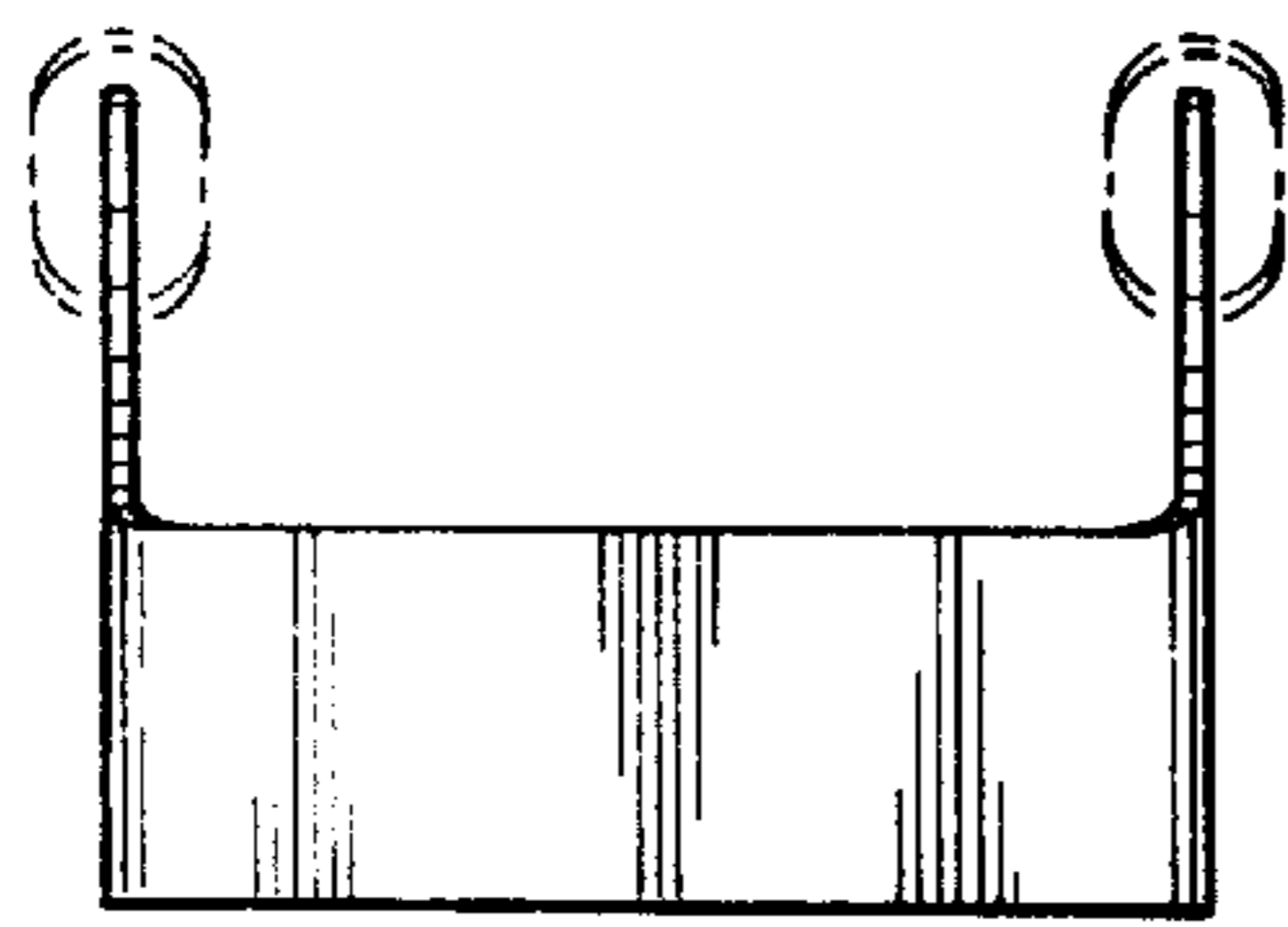
*Fig. 11*



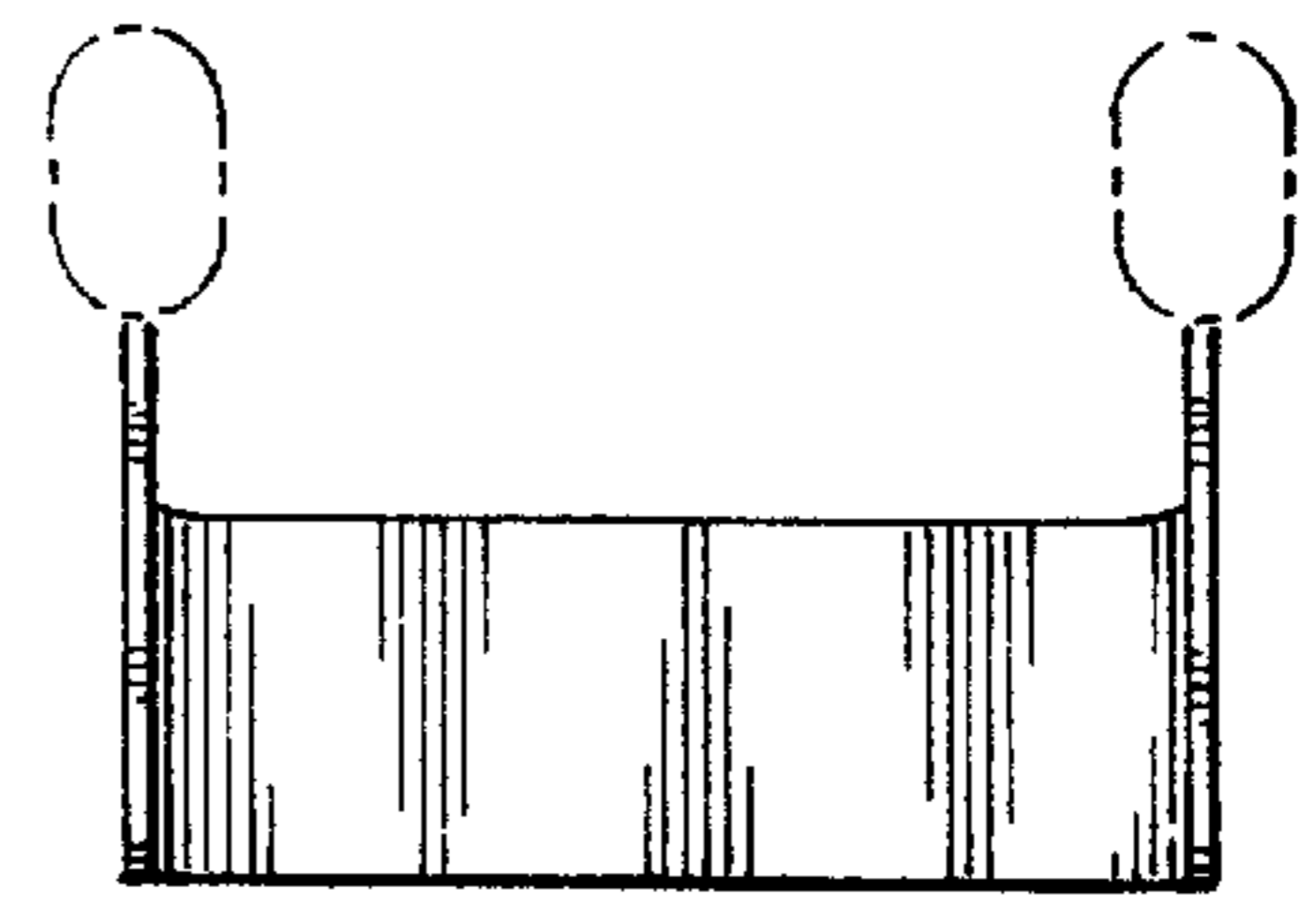
*Fig. 12*



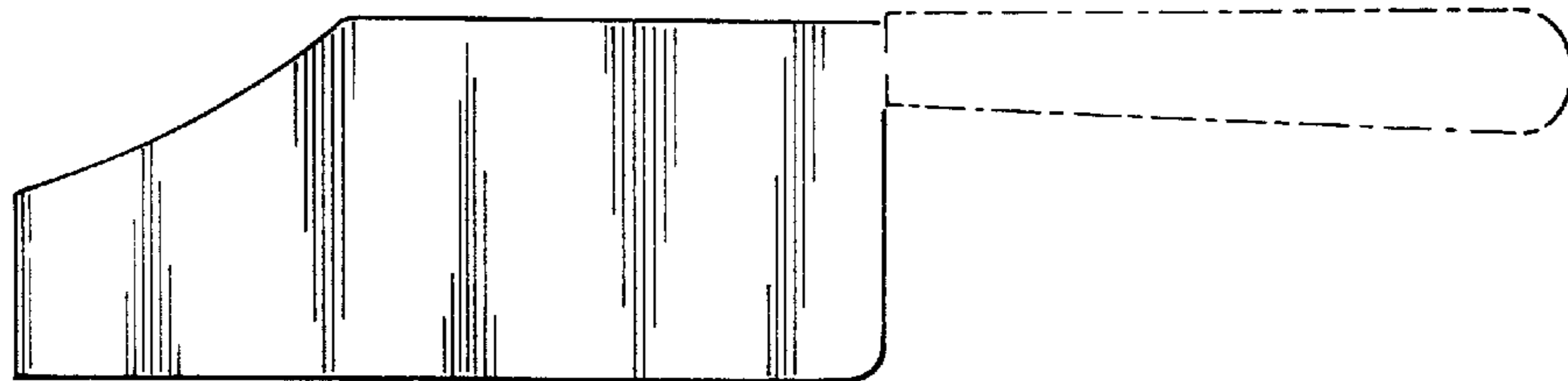
*Fig. 13*



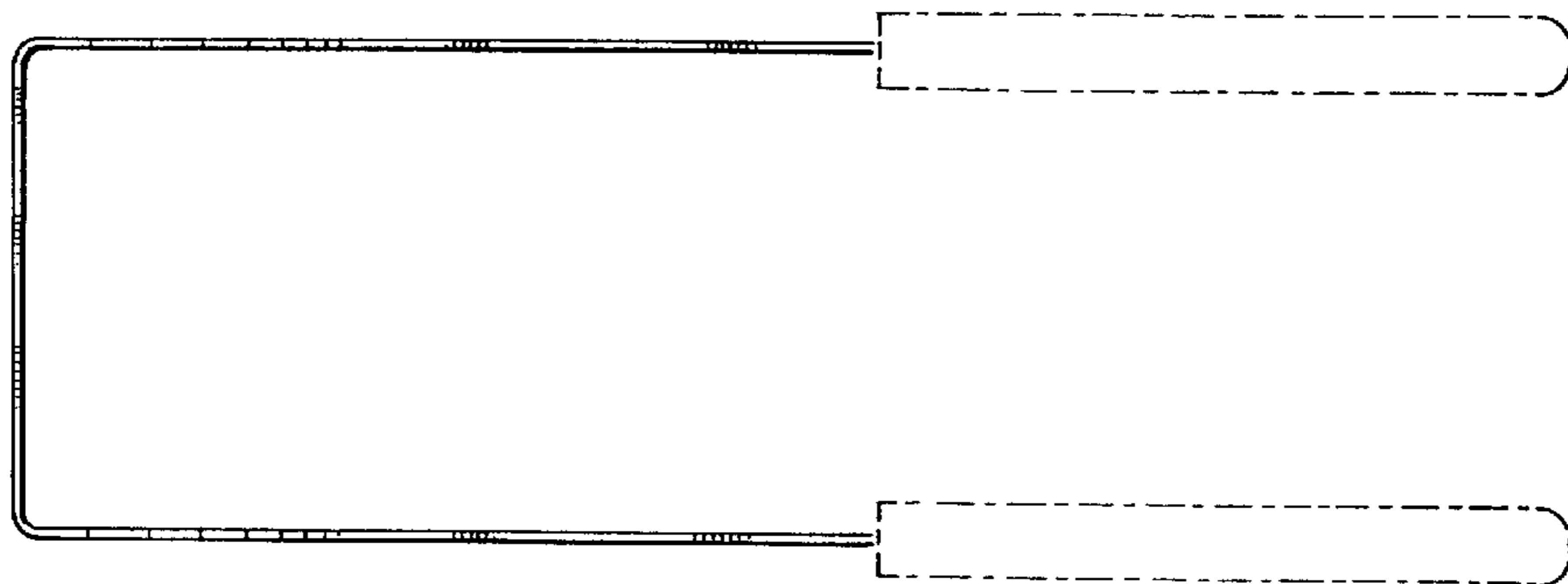
*Fig. 14*



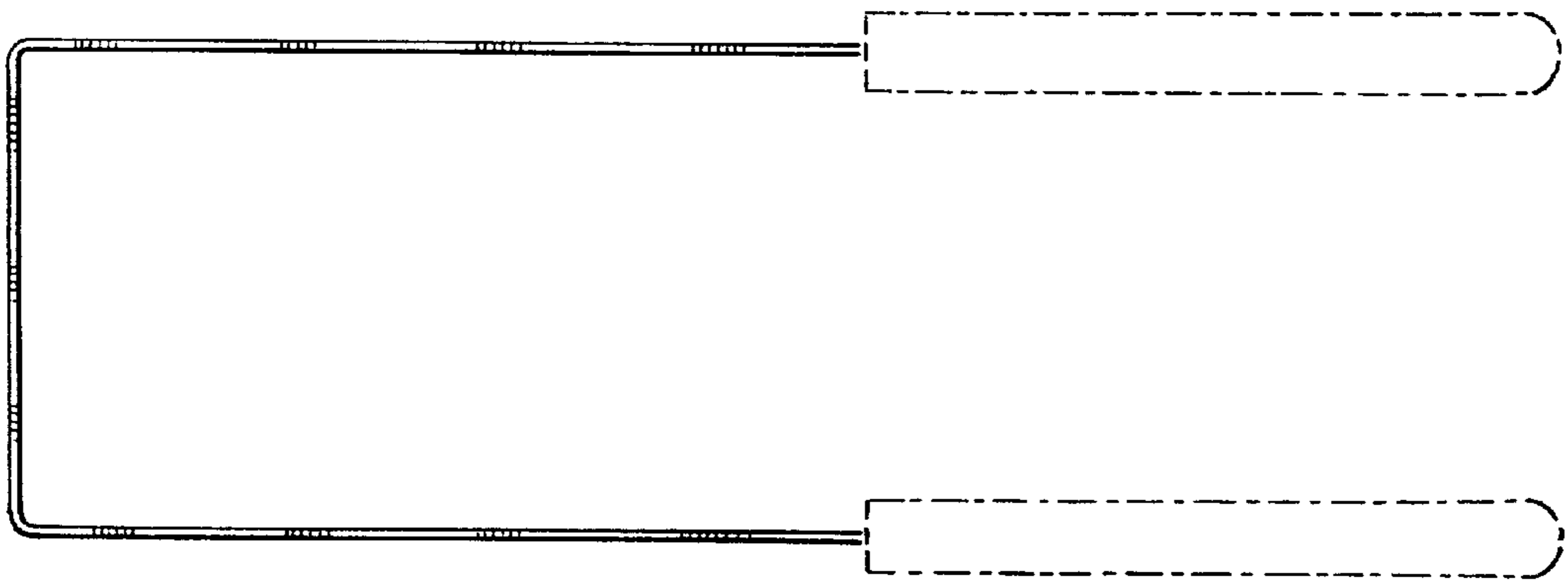
*Fig. 15*



*Fig. 16*



*Fig. 17*



*Fig. 18*