



US00D447017B1

(12) **United States Design Patent**
Jalet

(10) **Patent No.:** **US D447,017 S**

(45) **Date of Patent:** **** Aug. 28, 2001**

(54) **MANUAL ROTARY CHOPPER/MIXER**

(75) **Inventor:** **Vincent Jalet**, Brussels (BE)

(73) **Assignee:** **Dart Industries Inc.**, Orlando, FL (US)

(**) **Term:** **14 Years**

(21) **Appl. No.:** **29/133,270**

(22) **Filed:** **Nov. 27, 2000**

(51) **LOC (7) Cl.** **07-04**

(52) **U.S. Cl.** **D7/669**

(58) **Field of Search** D7/590, 372, 373,
D7/376-386, 678, 679, 669; 99/495, 509-513;
241/92, 93, 282.1, 282.3; 366/242, 247,
244, 279

(56) **References Cited**

U.S. PATENT DOCUMENTS

D. 361,694	8/1995	Wong	D7/384
D. 391,804	3/1998	Wong	D7/380
D. 395,194	6/1998	Wong	D7/384
D. 415,938	* 11/1999	Blaise	D7/678

D. 426,744	6/2000	Wong	D7/384
D. 427,011	6/2000	Yip	D7/384
5,156,084	* 10/1992	Lin	99/495
5,722,606	* 3/1998	Wu	222/169.1
6,035,771	3/2000	Conran et al.	99/510

* cited by examiner

Primary Examiner—Terry A. Wallace

(74) *Attorney, Agent, or Firm*—Taylor J. Ross

(57) **CLAIM**

The ornamental design for a manual rotary chopper/mixer, as shown and described.

DESCRIPTION

FIG. 1 is a top, side and front perspective view of a manual rotary chopper/mixer showing the new design; FIG. 2 is a front elevation view thereof; FIG. 3 is a rear elevation view thereof; FIG. 4 is a right side elevation view thereof; FIG. 5 is a left side elevation view thereof; FIG. 6 is a top plan view thereof; and, FIG. 7 is a bottom plan view thereof.

1 Claim, 4 Drawing Sheets



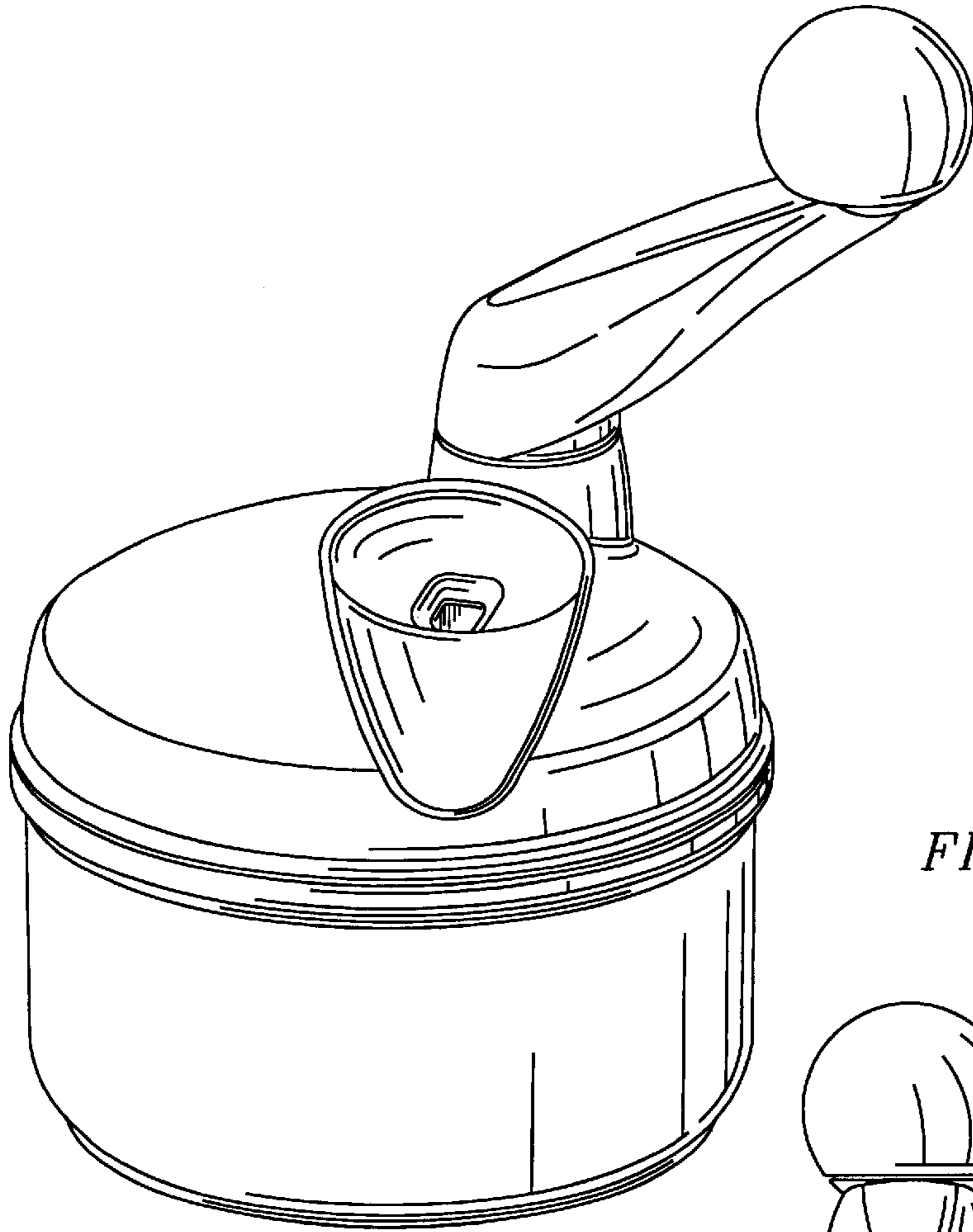


FIG. 1

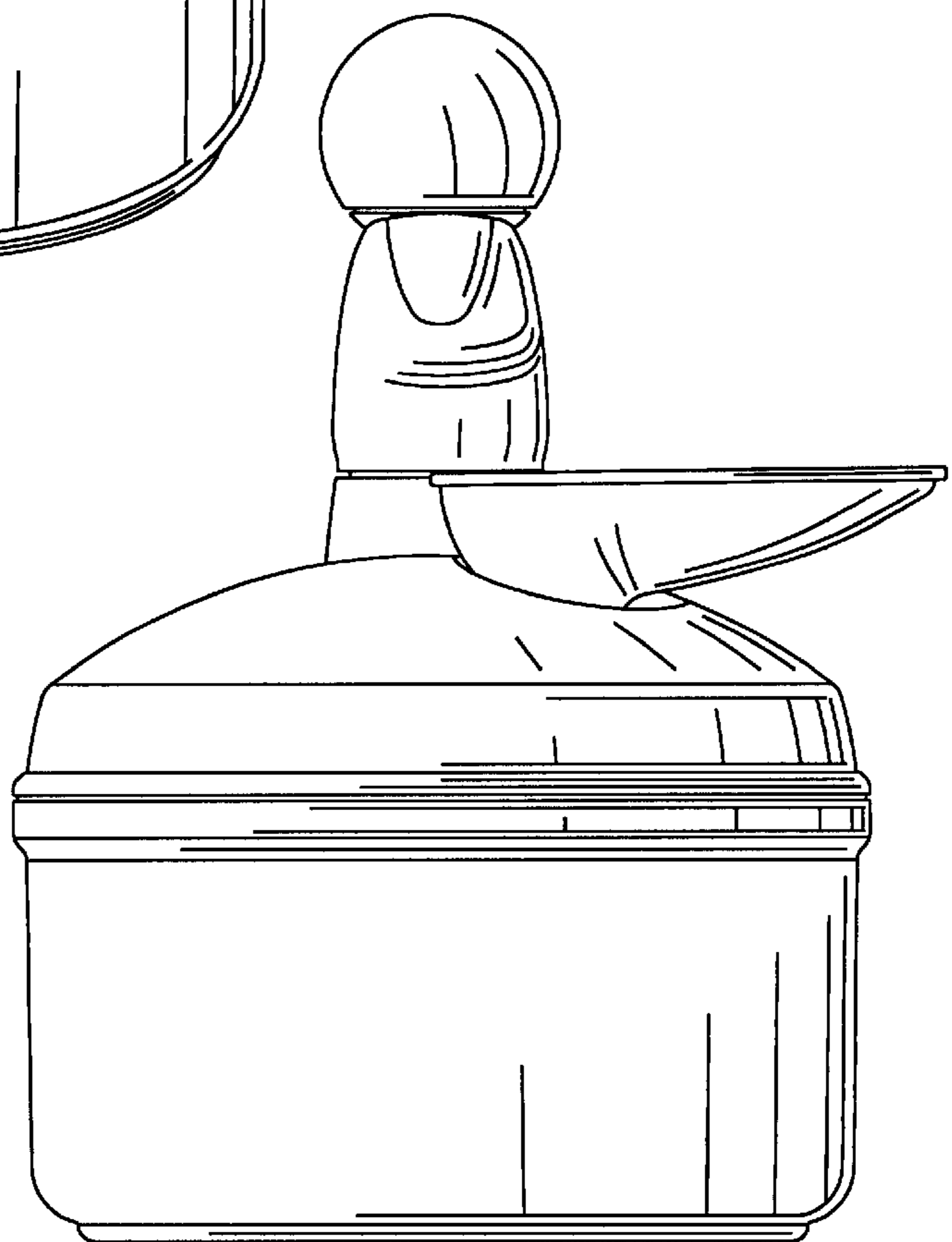


FIG. 2

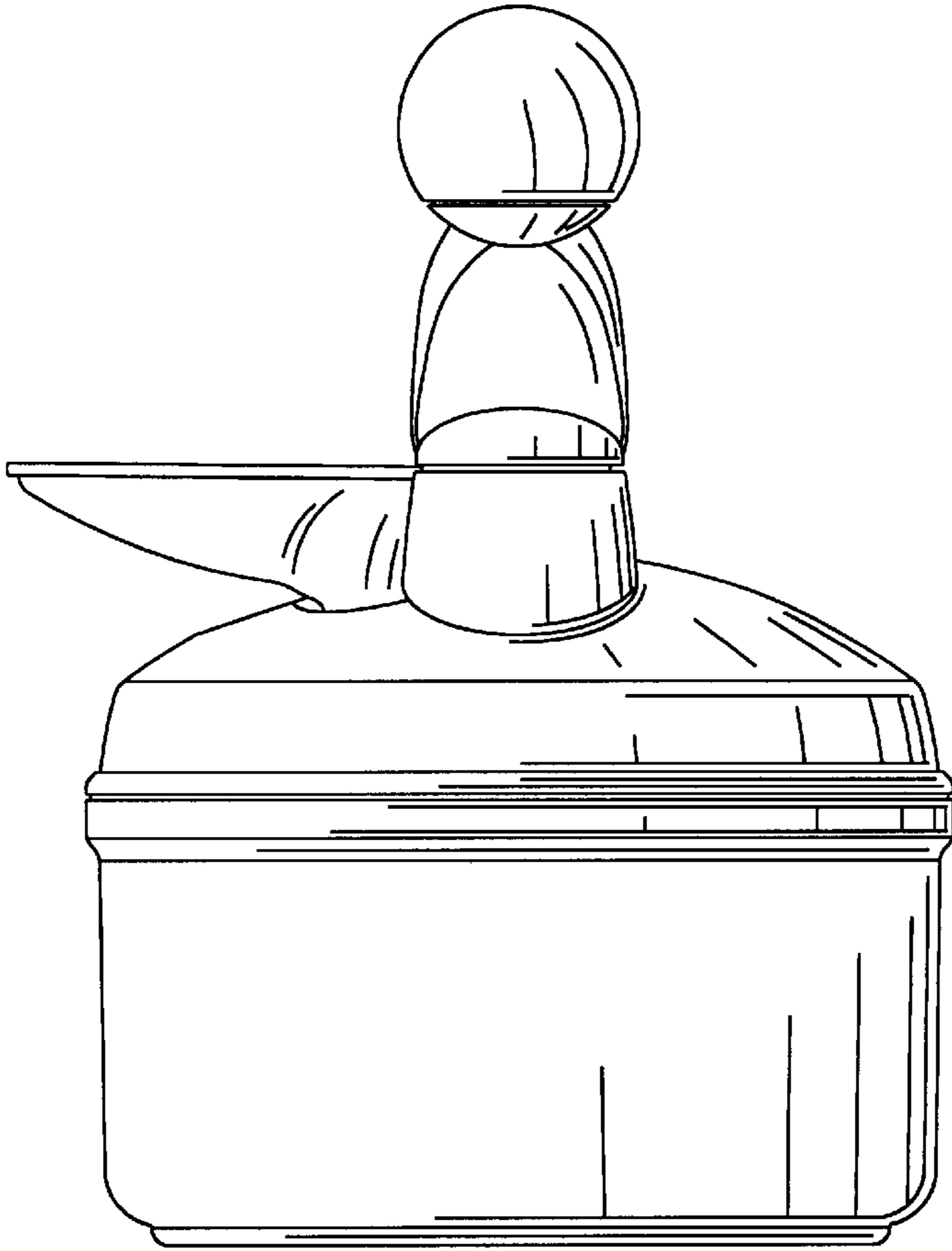


FIG. 3

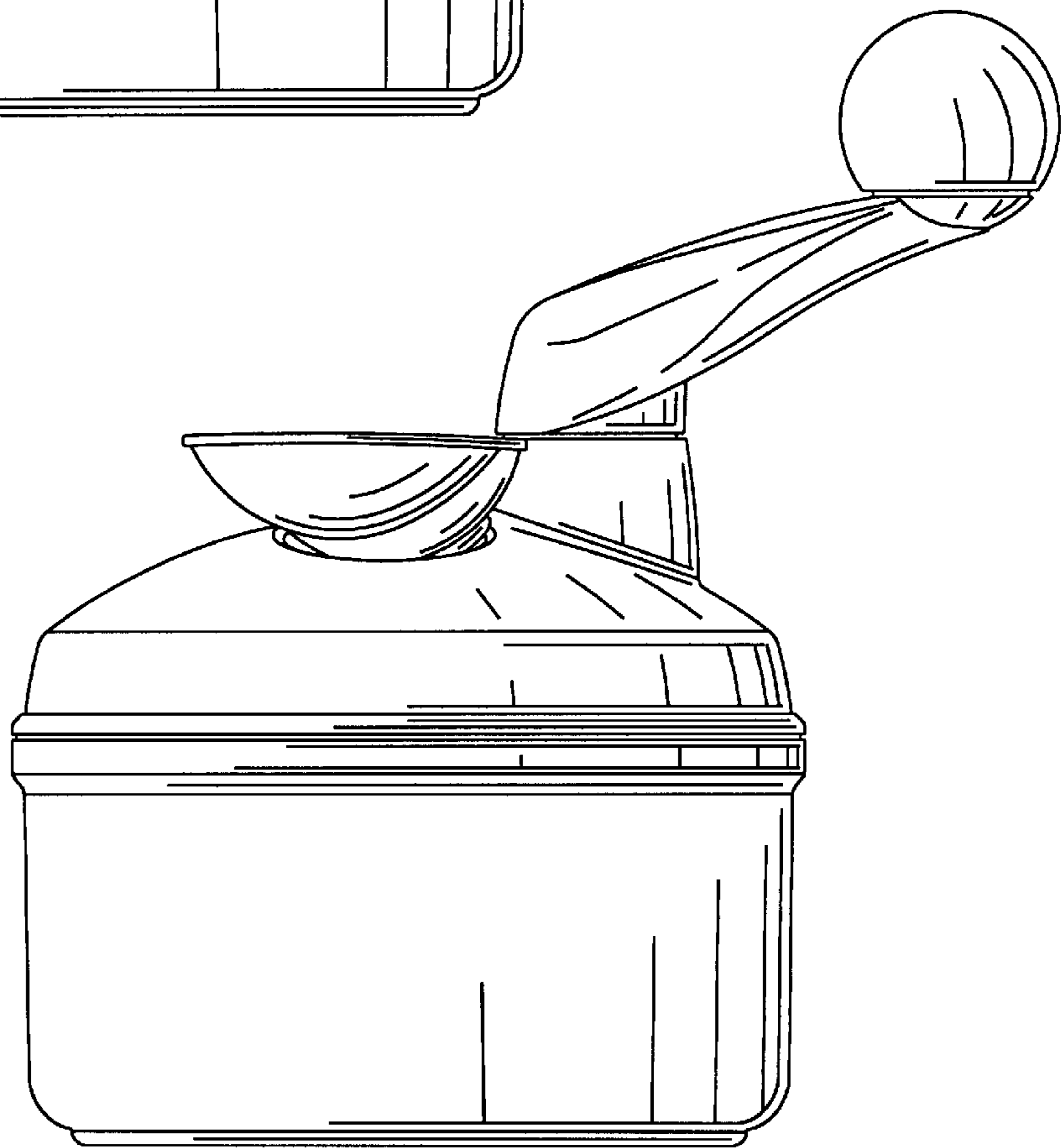


FIG. 4

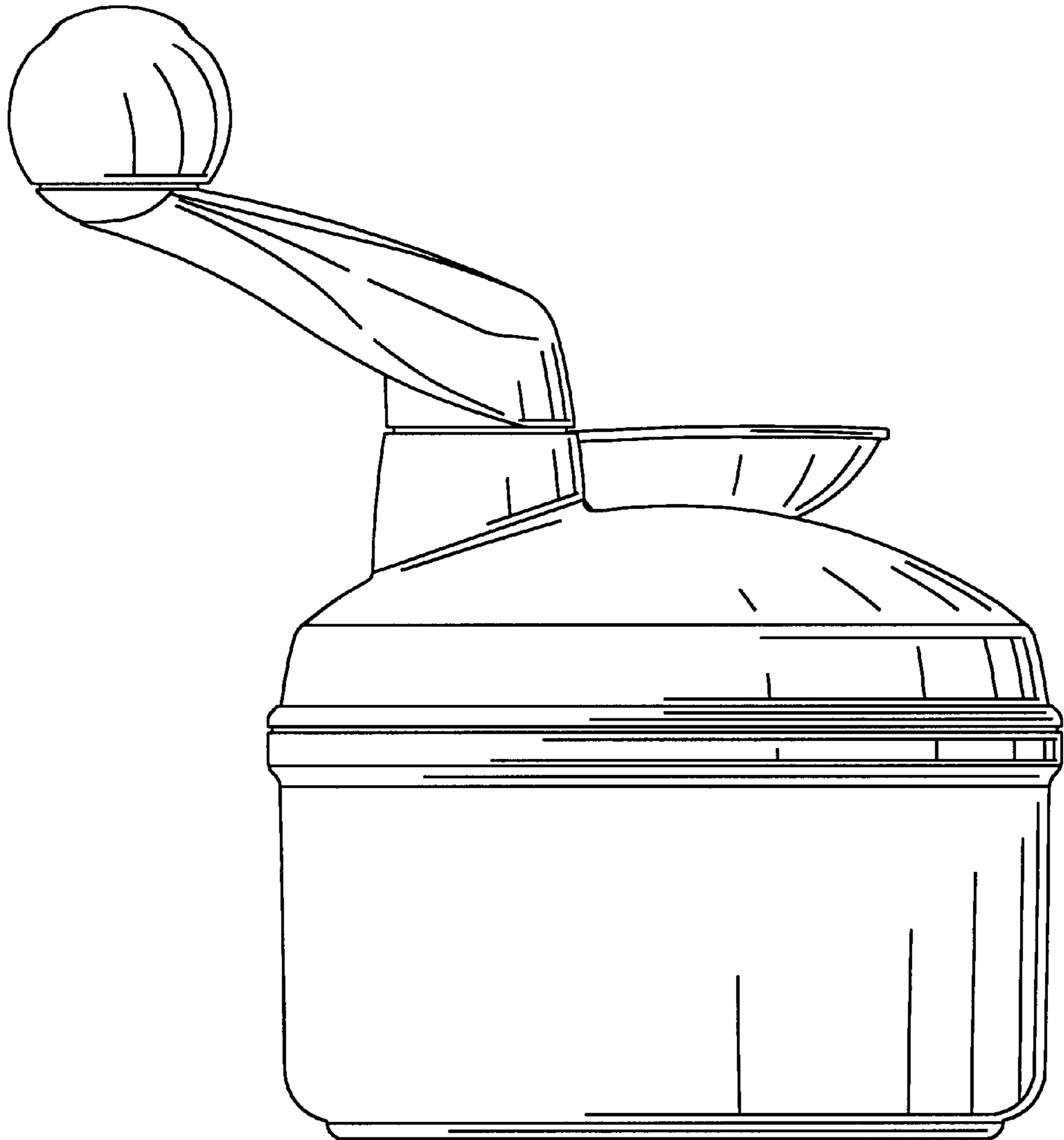


FIG. 5

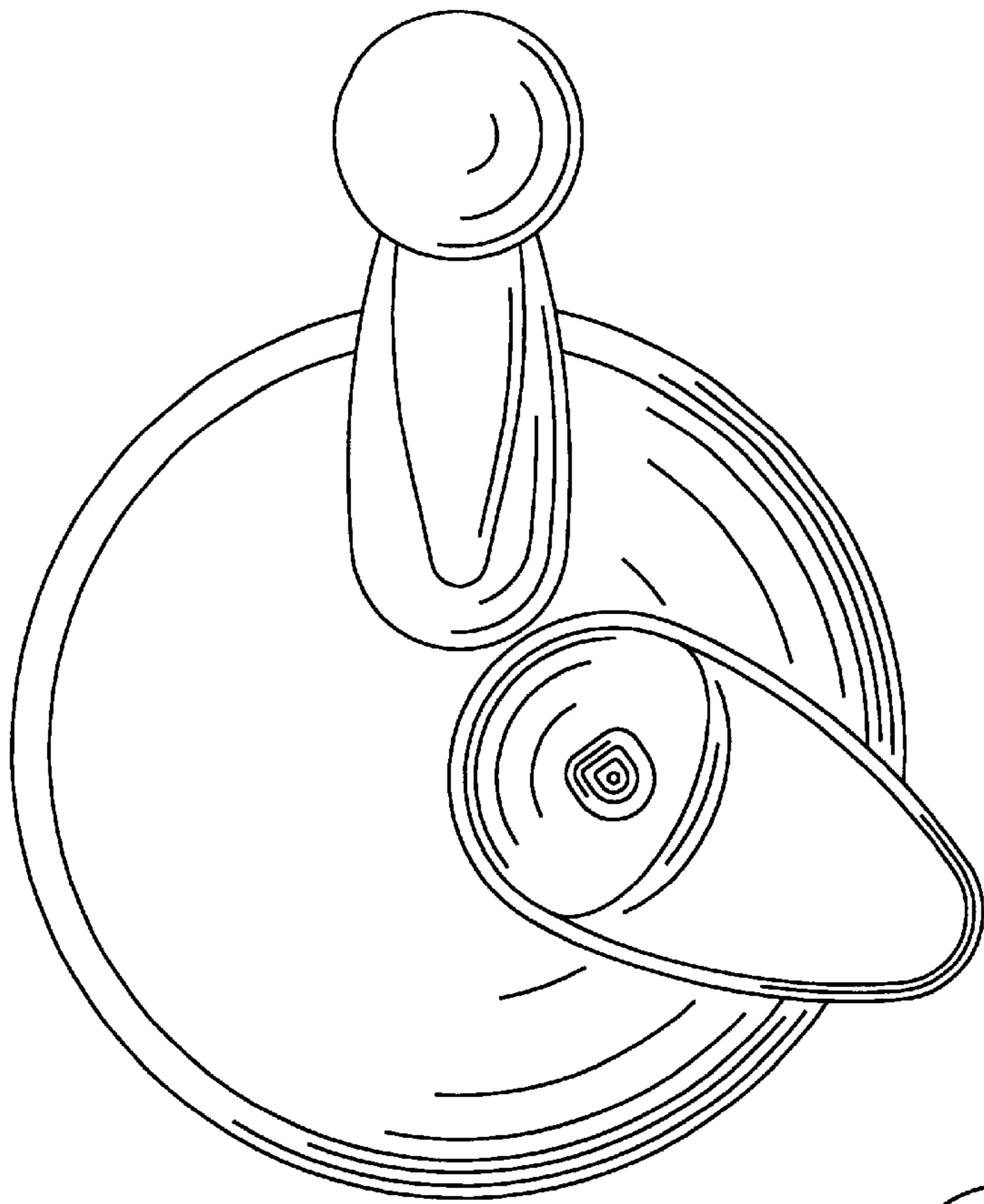


FIG. 6

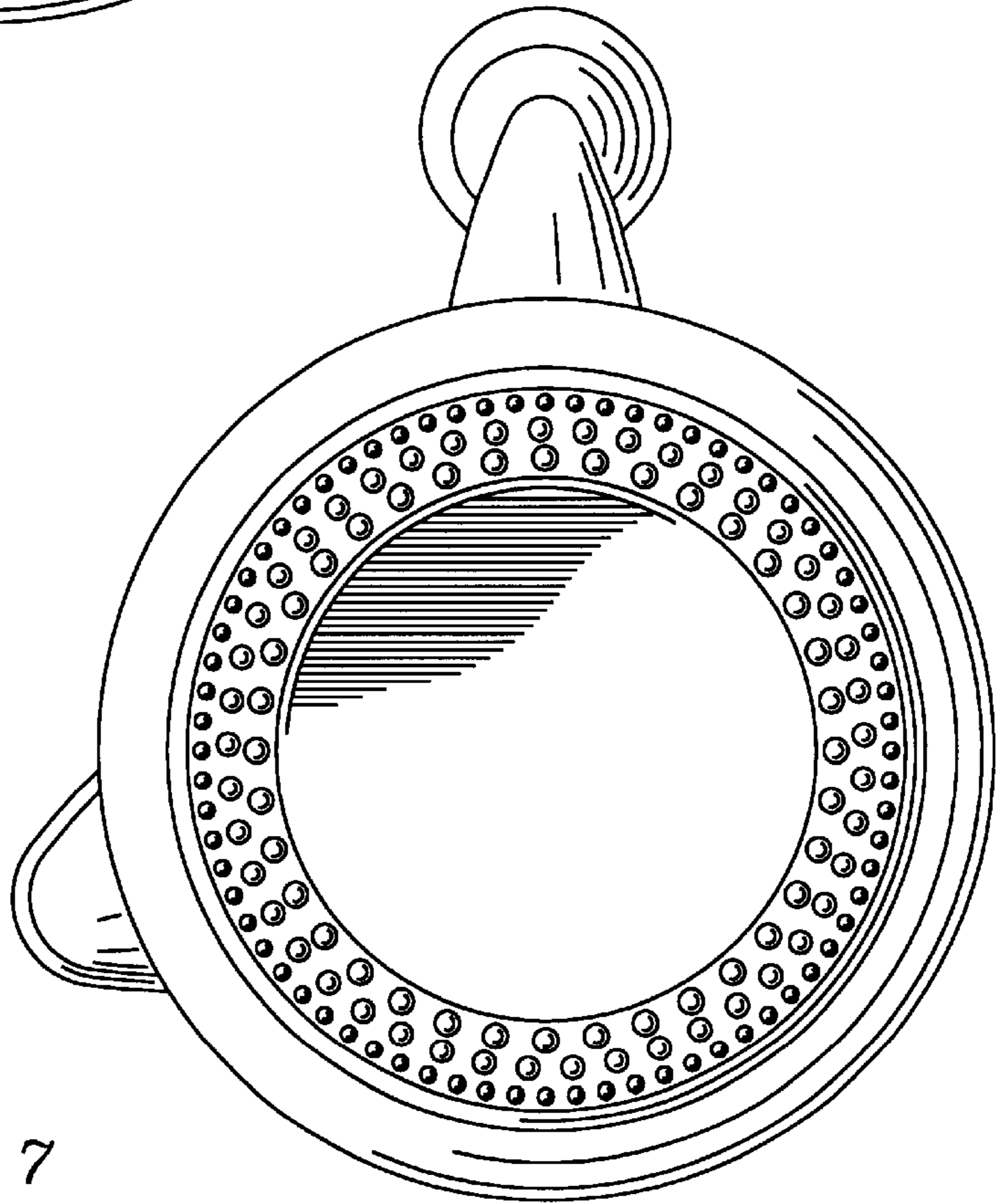


FIG. 7