



US00D447014B1

(12) **United States Design Patent**
Van Leeuwen

(10) **Patent No.:** **US D447,014 S**

(45) **Date of Patent:** **** Aug. 28, 2001**

(54) **DOUBLE-EDGED KNIFE BLADE**

2,293,286 * 8/1942 Fenner 30/144
3,205,575 * 9/1965 Senkewitz 30/355
5,572,794 * 11/1996 Kalbern 30/353

(76) Inventor: **Louis Van Leeuwen**, 23 Pleasant St.,
Riverside, CT (US) 06878

(**) Term: **14 Years**

* cited by examiner

Primary Examiner—Caron D. Veynar

(74) *Attorney, Agent, or Firm*—Raymond A. Nuzzo

(21) Appl. No.: **29/131,434**

(22) Filed: **Oct. 23, 2000**

(57) **CLAIM**

(51) **LOC (7) Cl.** **07-03**

(52) **U.S. Cl.** **D7/649**

The ornamental design for a double-edged knife blade, as shown.

(58) **Field of Search** D7/642, 645, 649,
D7/650; 30/144, 346, 353, 355; D8/20,
102; D24/147; 452/103; 294/49

DESCRIPTION

(56) **References Cited**

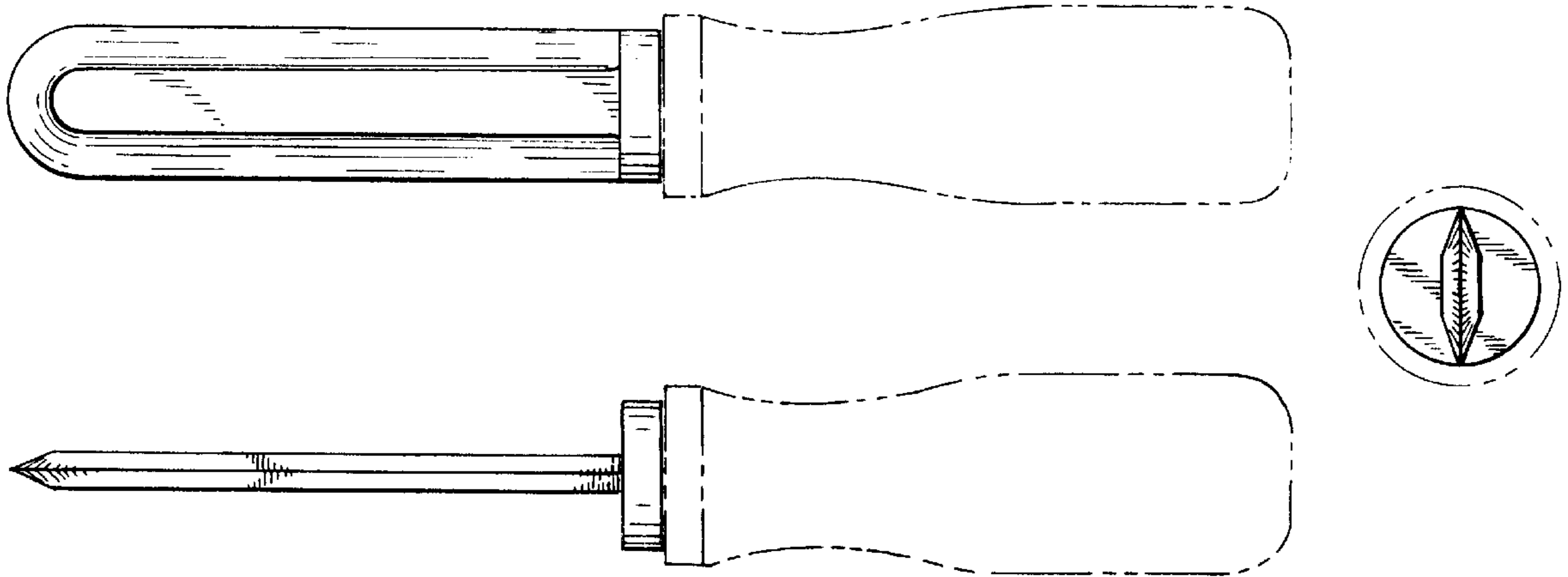
U.S. PATENT DOCUMENTS

D. 31,716	*	10/1899	Bolton	D8/20
D. 121,363	*	7/1940	Bryant, Sr.	D7/649
127,187	*	5/1872	Peabody	30/353 X
D. 155,087	*	9/1949	Gordenier	D8/102
D. 166,880	*	5/1952	Ruppe	D7/650
D. 214,470	*	6/1969	Laughlin	D8/102
D. 275,065	*	8/1984	Steiner	D7/688
D. 292,867	*	11/1987	Holterscheidt	D8/102
D. 294,861	*	3/1988	Detsch	D24/147
2,011,910	*	8/1935	Robbins	294/49

FIG. 1 is a side elevational view of a double-edged knife blade showing my new design;
FIG. 2 is a top view thereof;
FIG. 3 is a side elevational view of the side of the knife blade that is opposite to the side shown in FIG. 1;
FIG. 4 is a bottom view thereof;
FIG. 5 is an end view looking from the left end of the drawing; and,
FIG. 6 is an end view looking from the right end of the drawing.

The broken lines shown in FIGS. 1-6 are for illustrative purposes only and form no part of the claimed design.

1 Claim, 1 Drawing Sheet



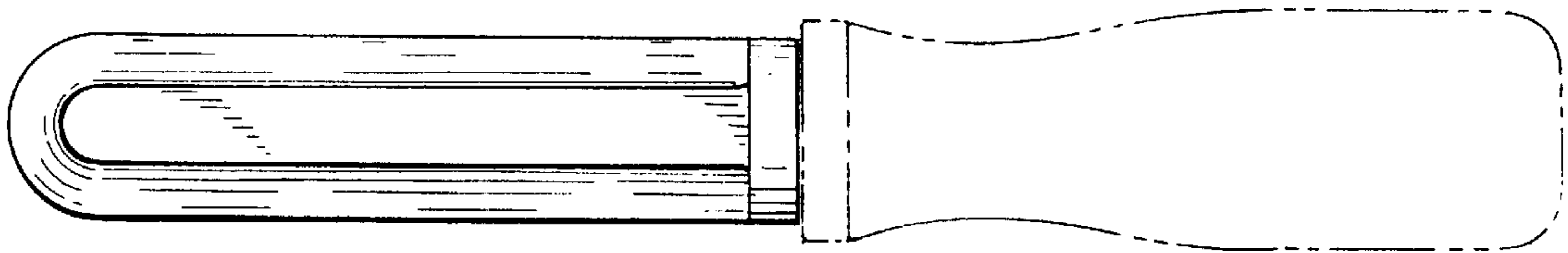


FIG. 1

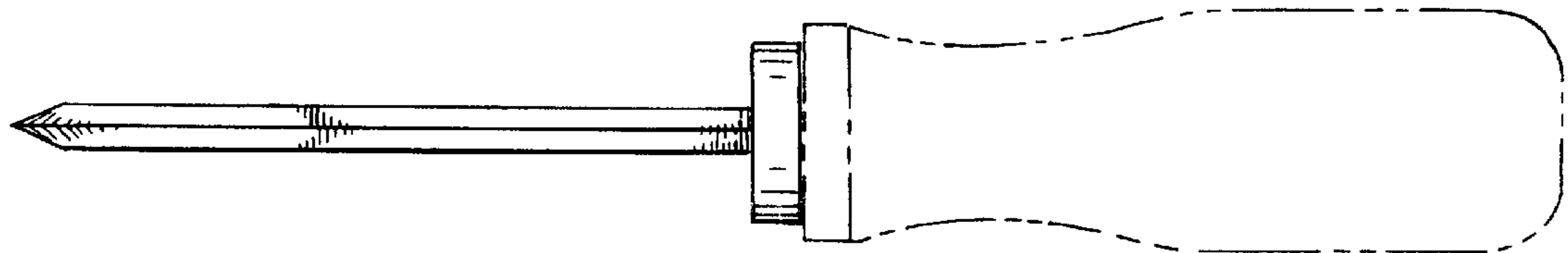


FIG. 2

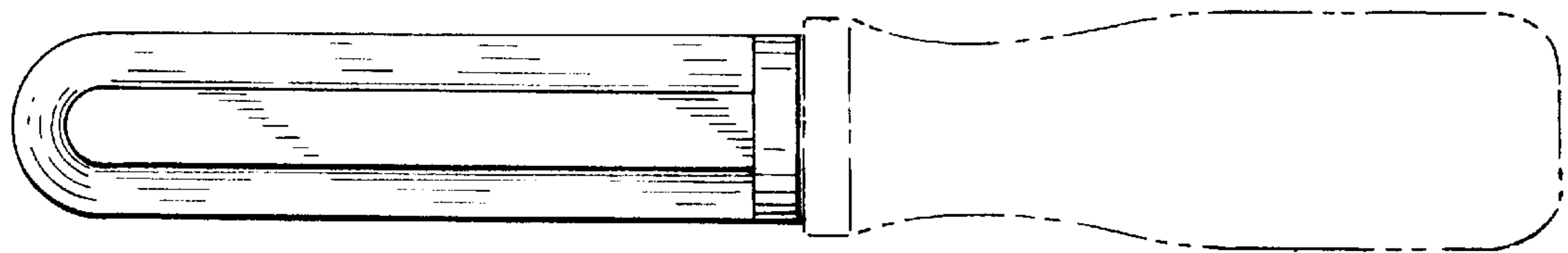


FIG. 3

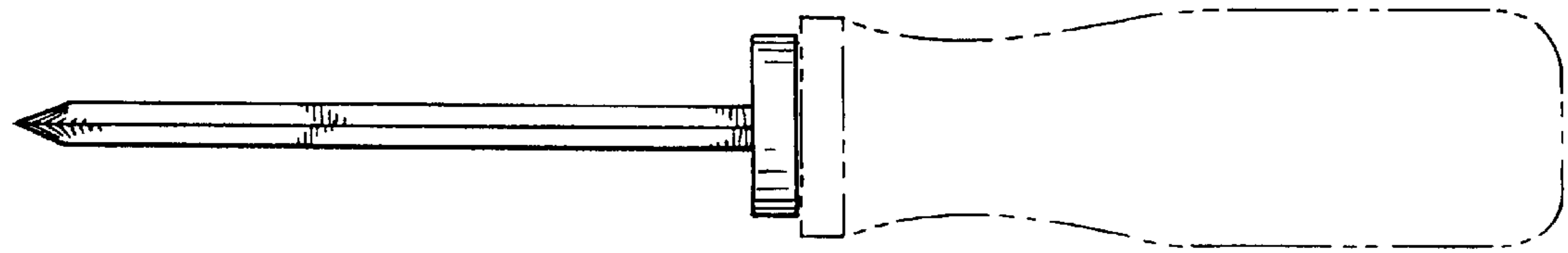


FIG. 4

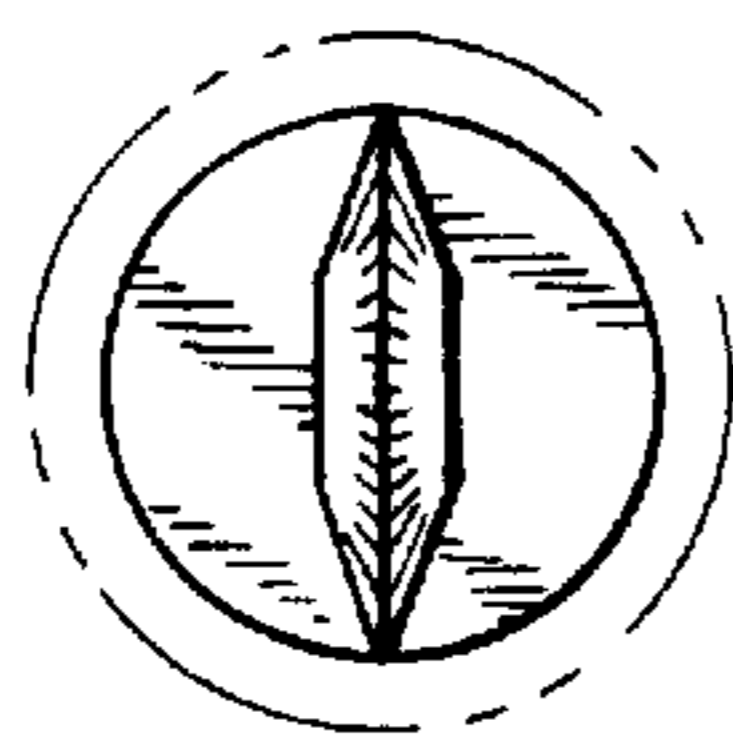


FIG. 5

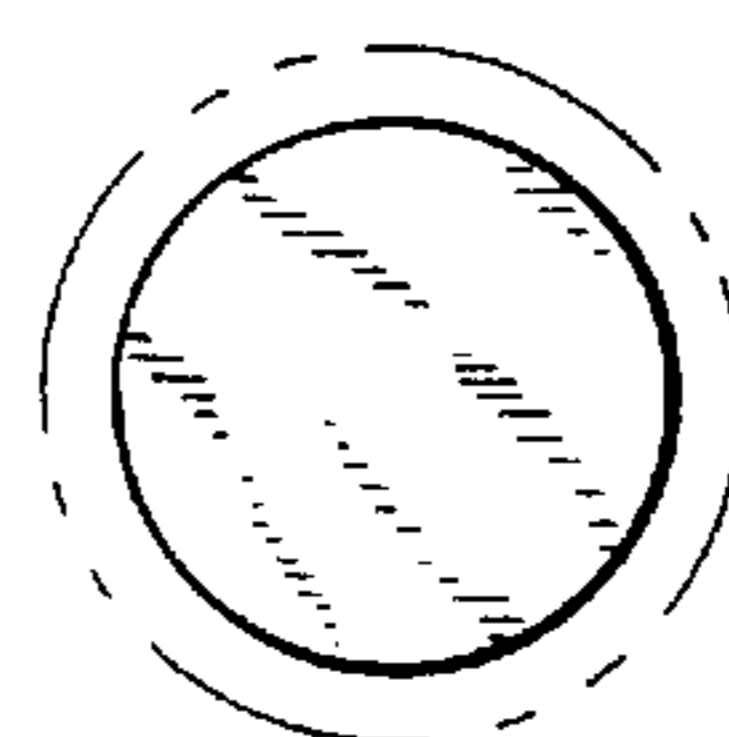


FIG. 6