



US00D447003B1

(12) **United States Design Patent**  
**Feil**

(10) **Patent No.:** **US D447,003 S**

(45) **Date of Patent:** **\*\* Aug. 28, 2001**

(54) **MIXING BOWL FOR FOOD PROCESSOR**

(75) **Inventor:** **Rolf Feil, Günzburg (DE)**

(73) **Assignee:** **BSH Bosch und Siemens Hausgeraete GmbH, Munich (DE)**

(\*\*) **Term:** **14 Years**

(21) **Appl. No.:** **29/127,133**

(22) **Filed:** **Jul. 31, 2000**

(30) **Foreign Application Priority Data**

Feb. 1, 2000 (DE) ..... 4 00 01 124

(51) **LOC (7) Cl.** ..... **31-00**

(52) **U.S. Cl.** ..... **D7/412**

(58) **Field of Search** ..... D7/376-386, 412,  
D7/413, 536; 366/64, 68, 197, 199, 219,  
241; 241/30, 33, 101.01, 168, 185.5, 278.2,  
296, 301

(56) **References Cited**

**U.S. PATENT DOCUMENTS**

- D. 324,322 \* 3/1992 Barrault ..... D7/384
- D. 345,078 \* 3/1994 Gotzsch ..... D7/384

- D. 373,049 \* 8/1996 Le Rouzic ..... D7/413
- D. 390,413 \* 2/1998 Hippen et al. .... D7/384
- D. 390,746 \* 2/1998 Hippen et al. .... D7/384
- D. 409,446 \* 5/1999 St. John et al. .... D7/536
- D. 434,271 \* 11/2000 Naft et al. .... D7/384

\* cited by examiner

*Primary Examiner*—Caron D. Veynar

(74) *Attorney, Agent, or Firm*—Herbert L. Lerner;  
Laurence A. Greenberg; Werner H. Stemer

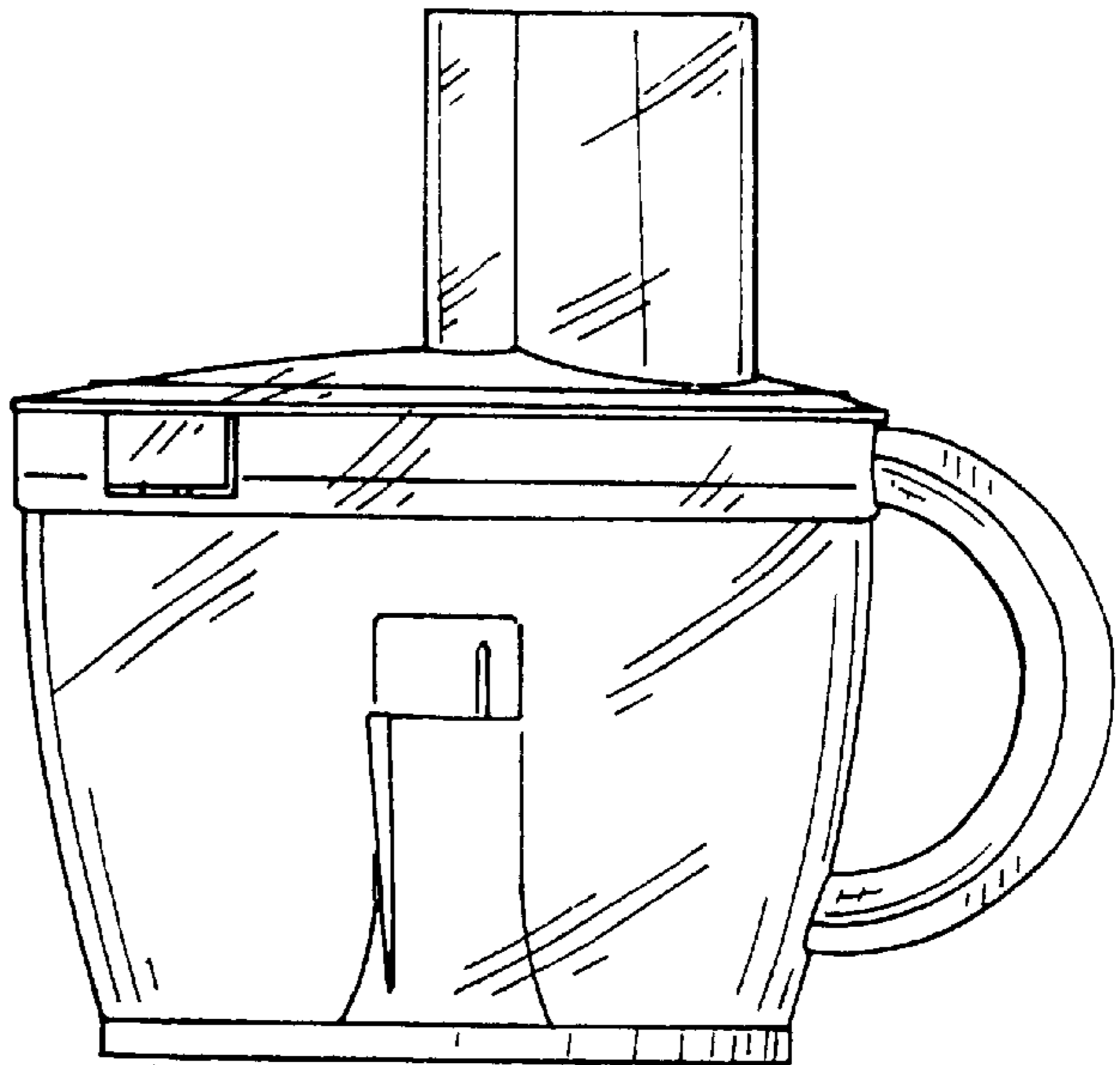
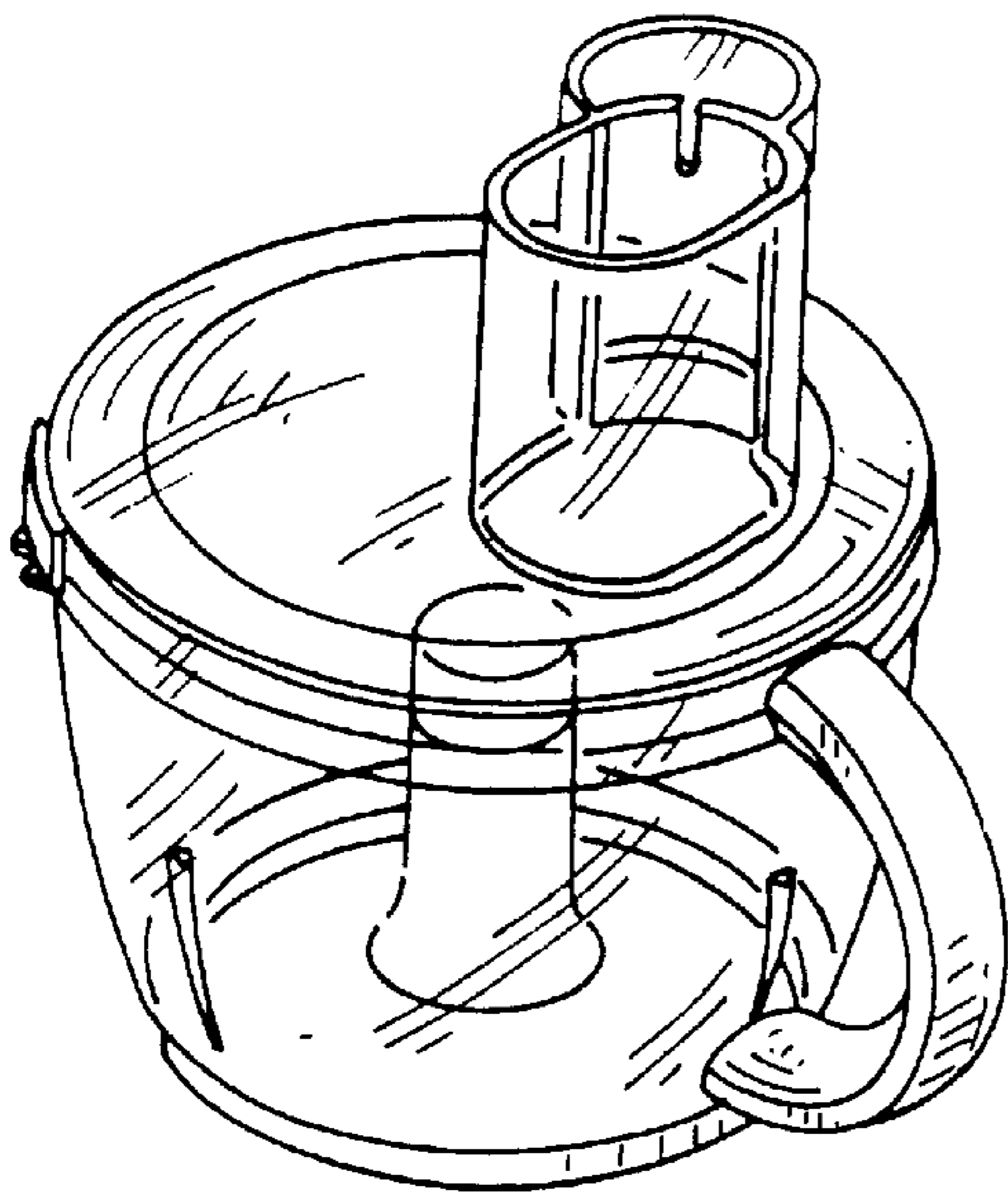
(57) **CLAIM**

The ornamental design for a mixing bowl for food processor, as shown and described.

**DESCRIPTION**

FIG. 1 is a perspective view of the mixing bowl for food processor;  
 FIG. 2 is a front view thereof;  
 FIG. 3 is a rear view thereof; and  
 FIG. 4 is a right-side view thereof;  
 FIG. 5 is a left-side view thereof;  
 FIG. 6 is a top view thereof; and,  
 FIG. 7 is a bottom view thereof.

**1 Claim, 3 Drawing Sheets**



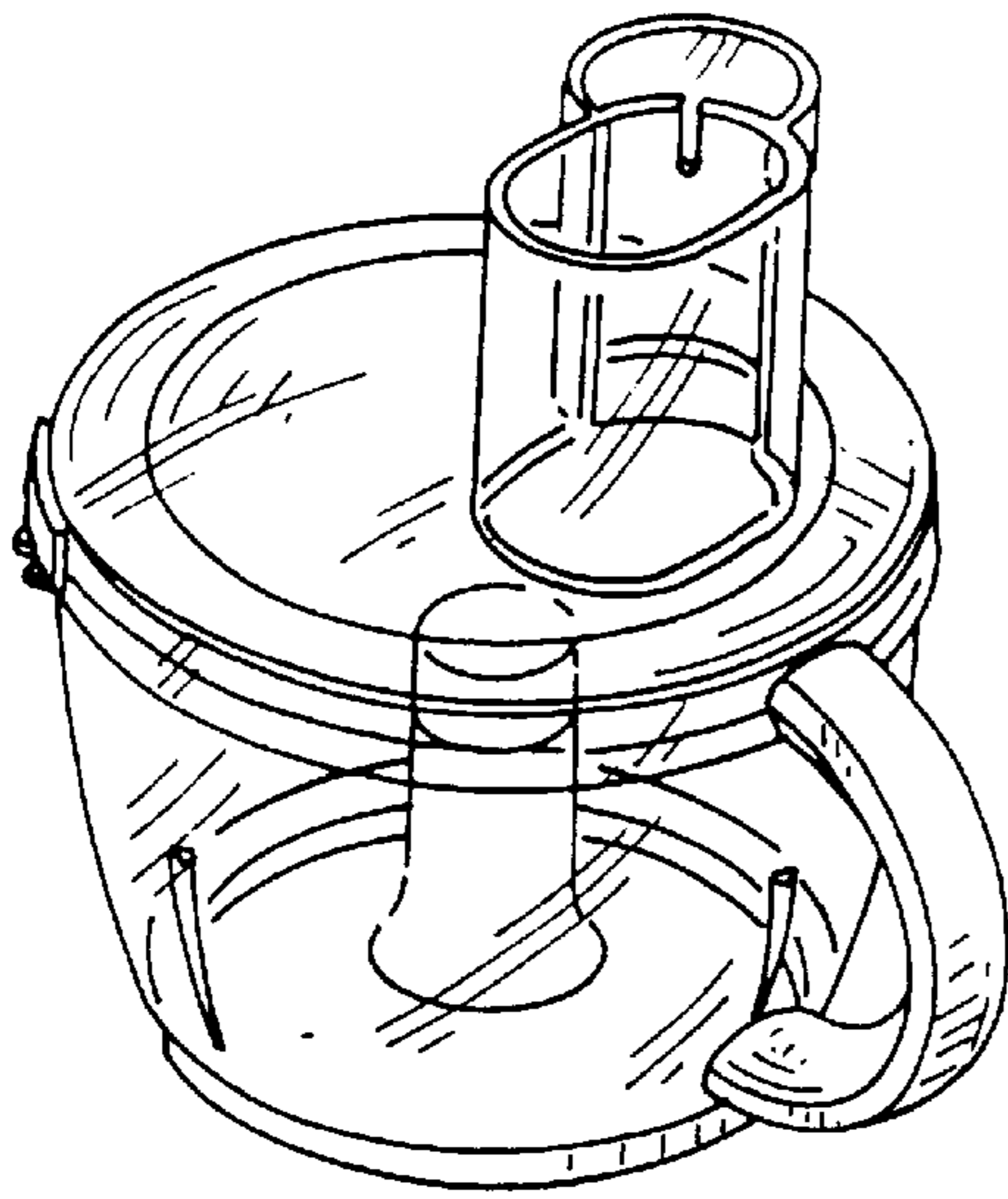


FIG. 1

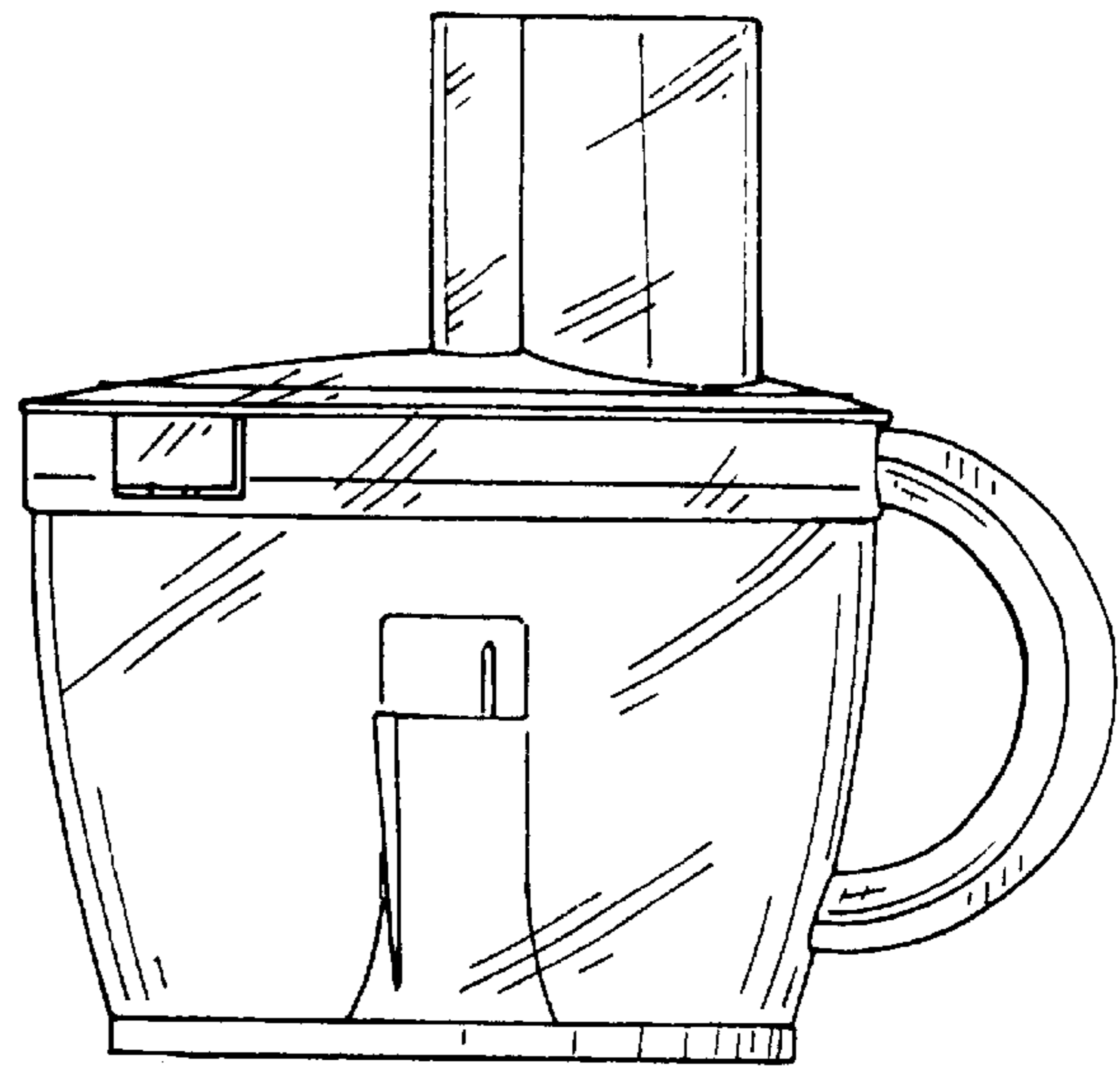


FIG. 2

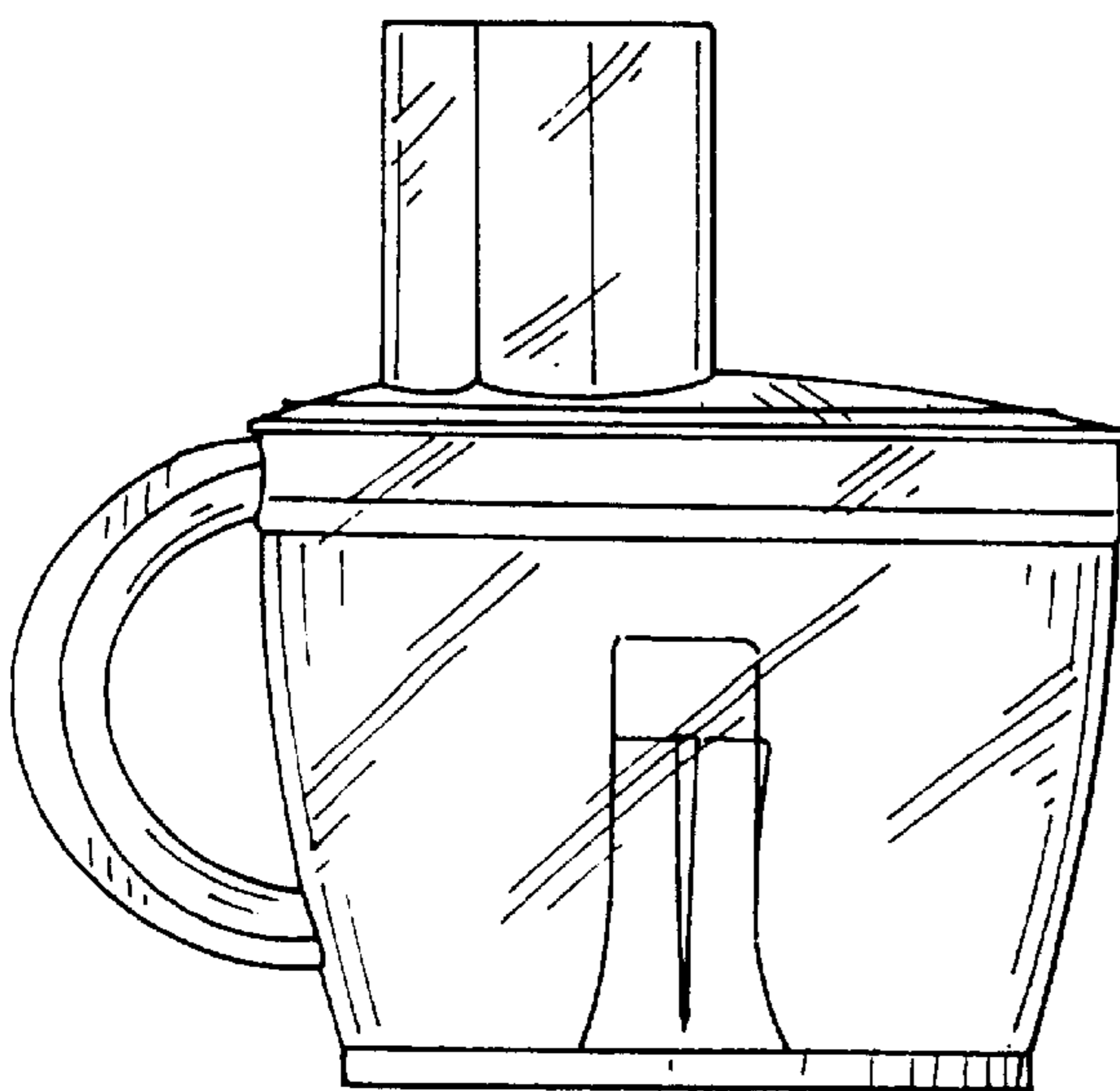


FIG. 3

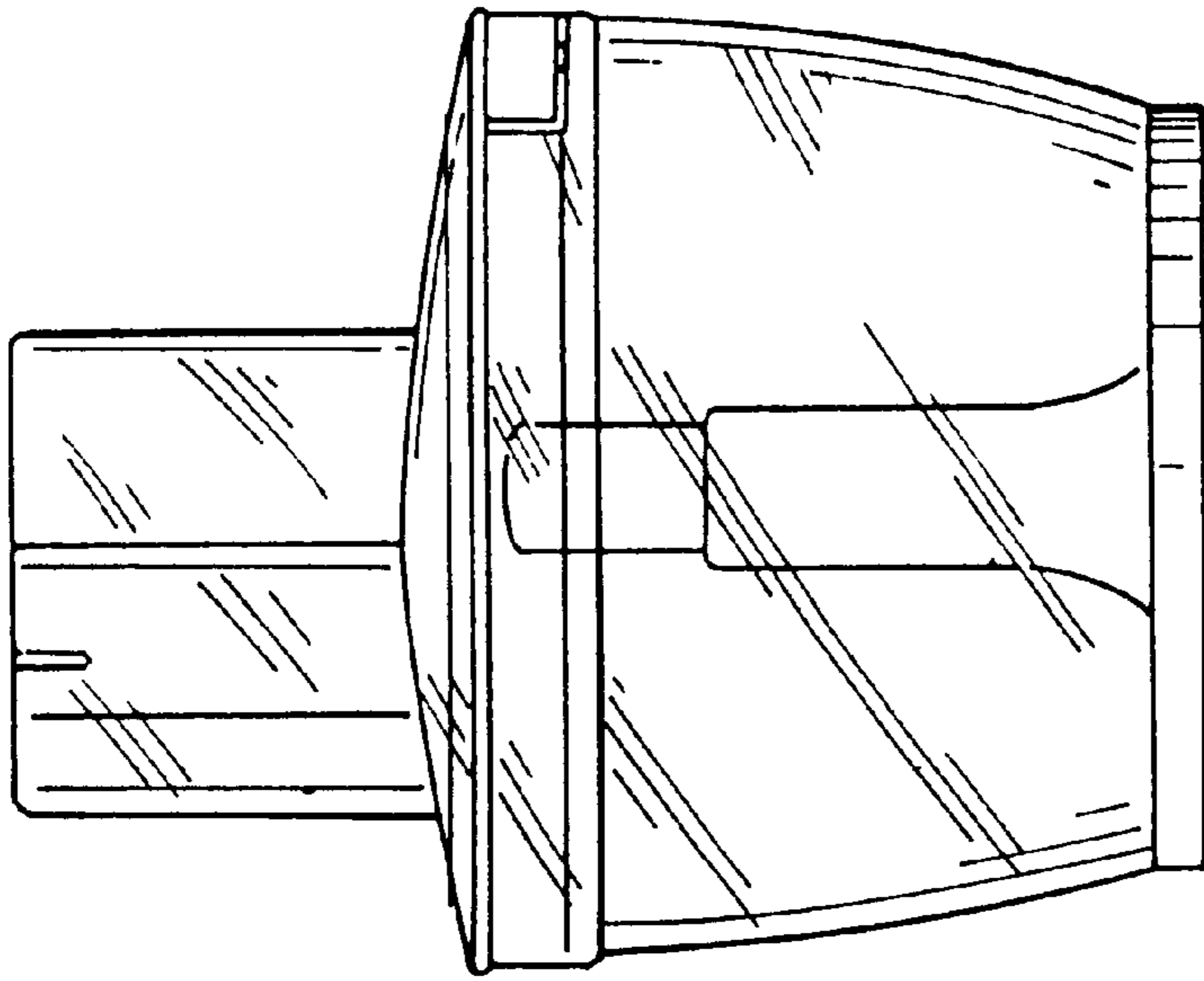


FIG. 5

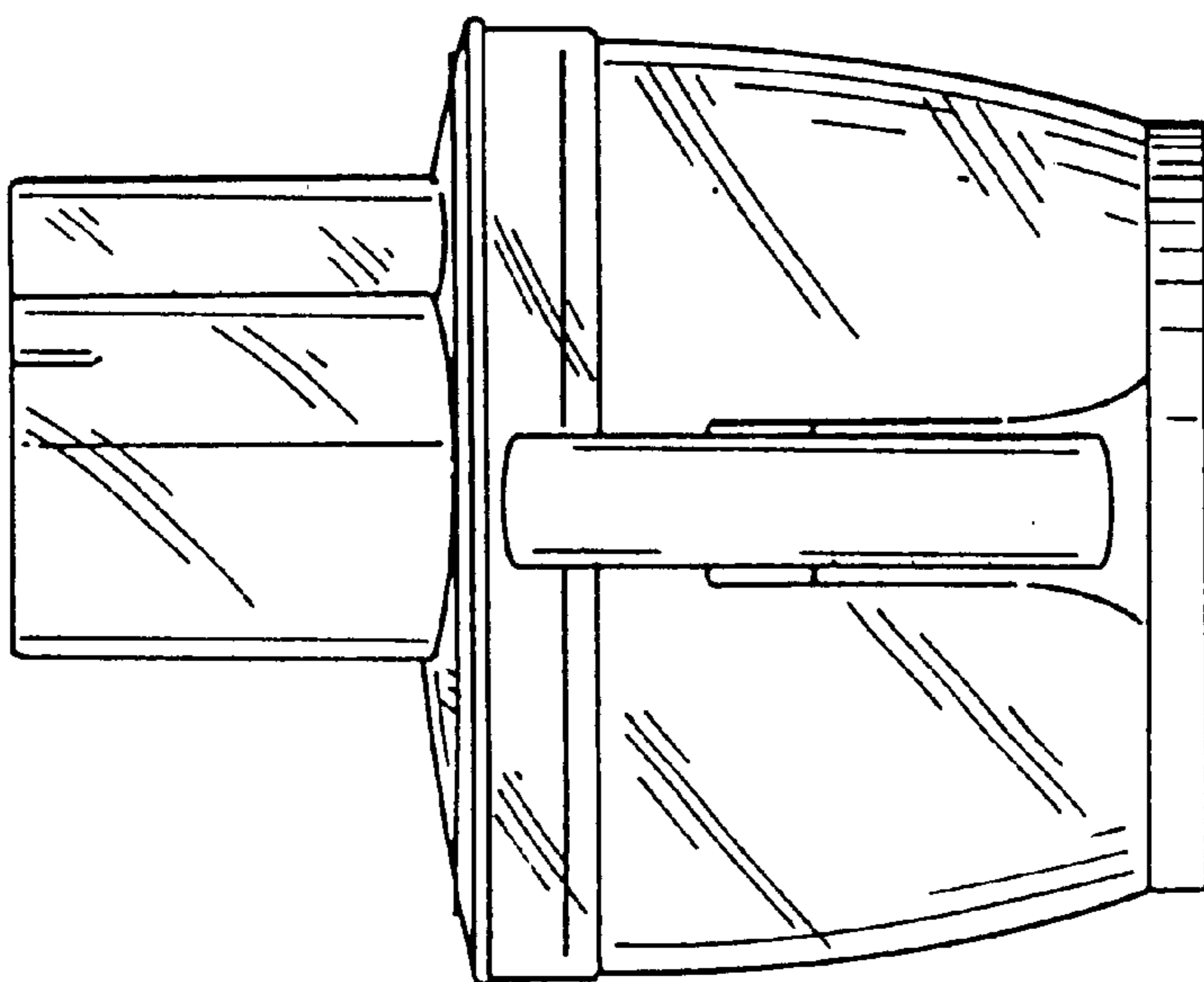


FIG. 4

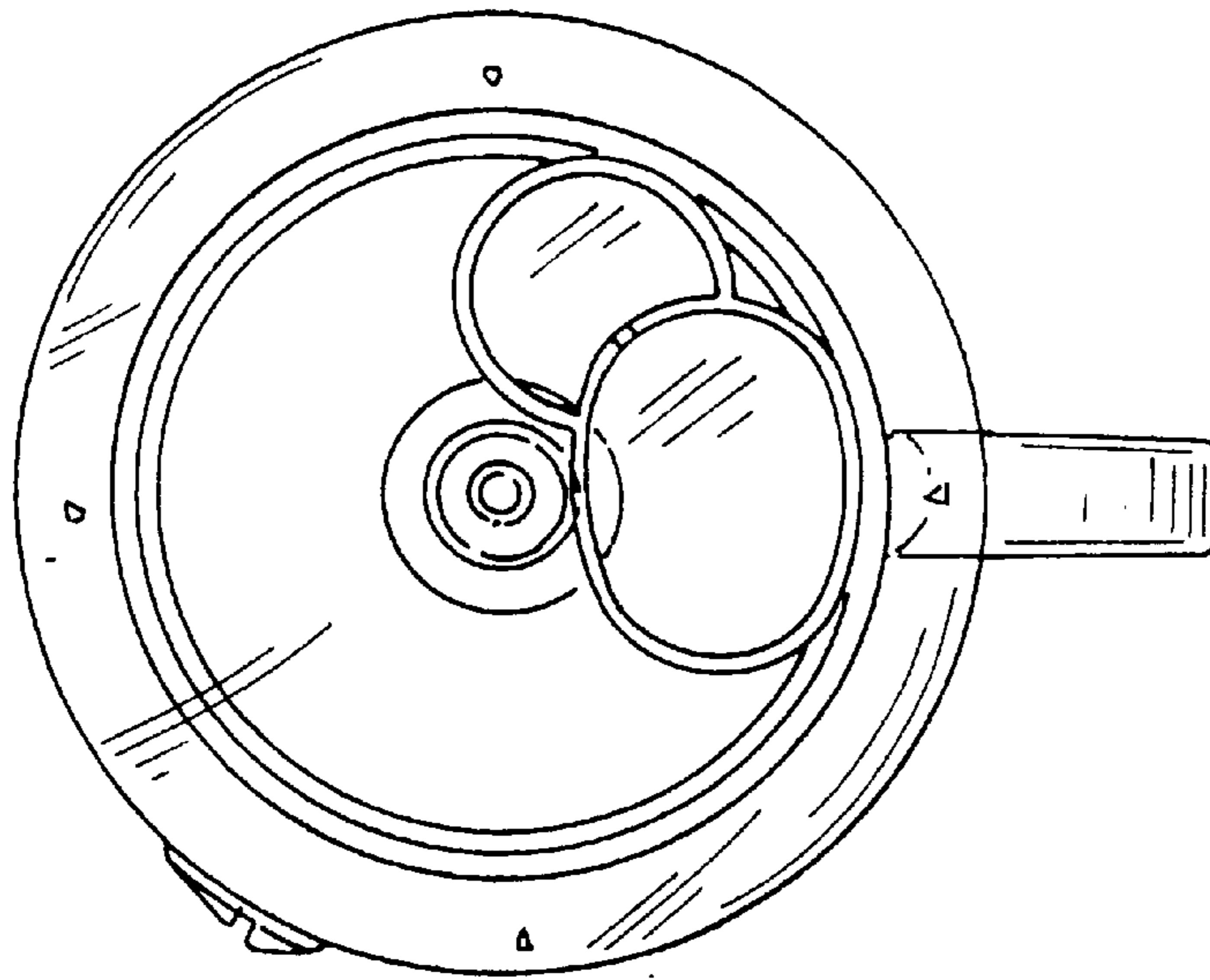


FIG. 6

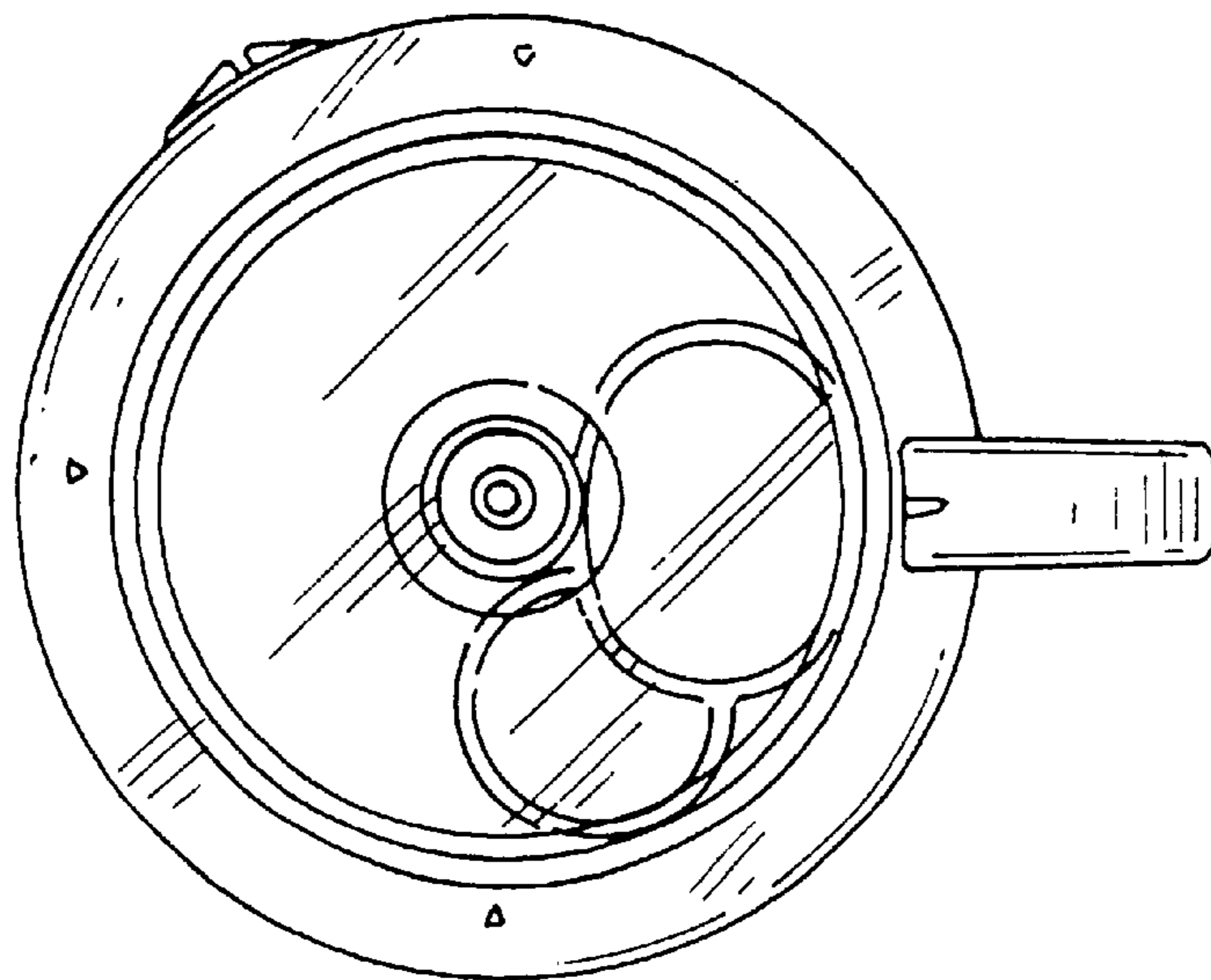


FIG. 7