



US00D447002B1

(12) **United States Design Patent**
Pai

(10) **Patent No.:** **US D447,002 S**

(45) **Date of Patent:** **** Aug. 28, 2001**

(54) **CHARCOAL GRILL STAND**

(76) **Inventor:** **Lucas Pai**, No. 124, Ying-Hua Rd.,
Hsitun Dist., Taichung (TW)

(**) **Term:** **14 Years**

(21) **Appl. No.:** **29/121,235**

(22) **Filed:** **Apr. 3, 2000**

(51) **LOC (7) Cl.** **07-02**

(52) **U.S. Cl.** **D7/403**

(58) **Field of Search** D7/332-337, 402-404,
D7/406; 126/31 R, 40, 50, 9 R, 25 R, 25 A,
25 AA, 29-30, 37 R, 38, 332

3,877,458	4/1975	Allander .
3,946,893	3/1976	Bowersmith .
4,089,258	5/1978	Berger .
4,108,142	8/1978	Barson et al. .
4,127,914	12/1978	Fischbach .
4,353,347	10/1982	Seed .
4,553,524	11/1985	Wheat et al. .
4,966,126	10/1990	Wu .
5,036,832	8/1991	Schlosser et al. .
5,111,802	5/1992	Lin .
5,159,917	11/1992	Archer et al. .
5,179,932	1/1993	DeCarlo .
5,213,075	5/1993	Stephen et al. .

OTHER PUBLICATIONS

In Re Weber-Stephen Products Co., 3 U.S.P.Q.2d 1659,
1987.

* cited by examiner

Primary Examiner—Ruth McInroy
(74) *Attorney, Agent, or Firm*—Kolisich Hartwell Dickinson
McCormack & Heuser

(56) **References Cited**

U.S. PATENT DOCUMENTS

D. 188,879	9/1960	Gauss et al. .	
D. 315,079	3/1991	Jui-Yen .	
D. 350,668	9/1994	Giebel et al. .	
D. 375,436	* 11/1996	Bird et al.	D7/403
D. 381,860	8/1997	Chiang .	
D. 395,378	* 6/1998	Schlosser et al.	D7/403
D. 404,963	* 2/1999	Schlosser et al.	D7/334
D. 426,741	* 6/2000	Pai	D7/334
728,058	5/1903	Weber .	
1,010,037	11/1911	Frisz .	
1,349,457	8/1920	Hurd .	
1,355,332	10/1920	Hanson .	
2,898,846	8/1959	Del Francia .	
2,910,059	10/1959	Gehne .	
3,040,651	6/1962	Nolte .	
3,171,398	3/1965	Lawson .	
3,217,634	11/1965	Fox .	
3,306,281	2/1967	Hoebel .	
3,373,678	3/1968	Miller .	
3,430,621	3/1969	Doty .	
3,500,813	3/1970	Opdahl .	
3,759,164	9/1973	Robinson .	
3,785,275	1/1974	Keats et al. .	
3,828,759	8/1974	Cooper .	

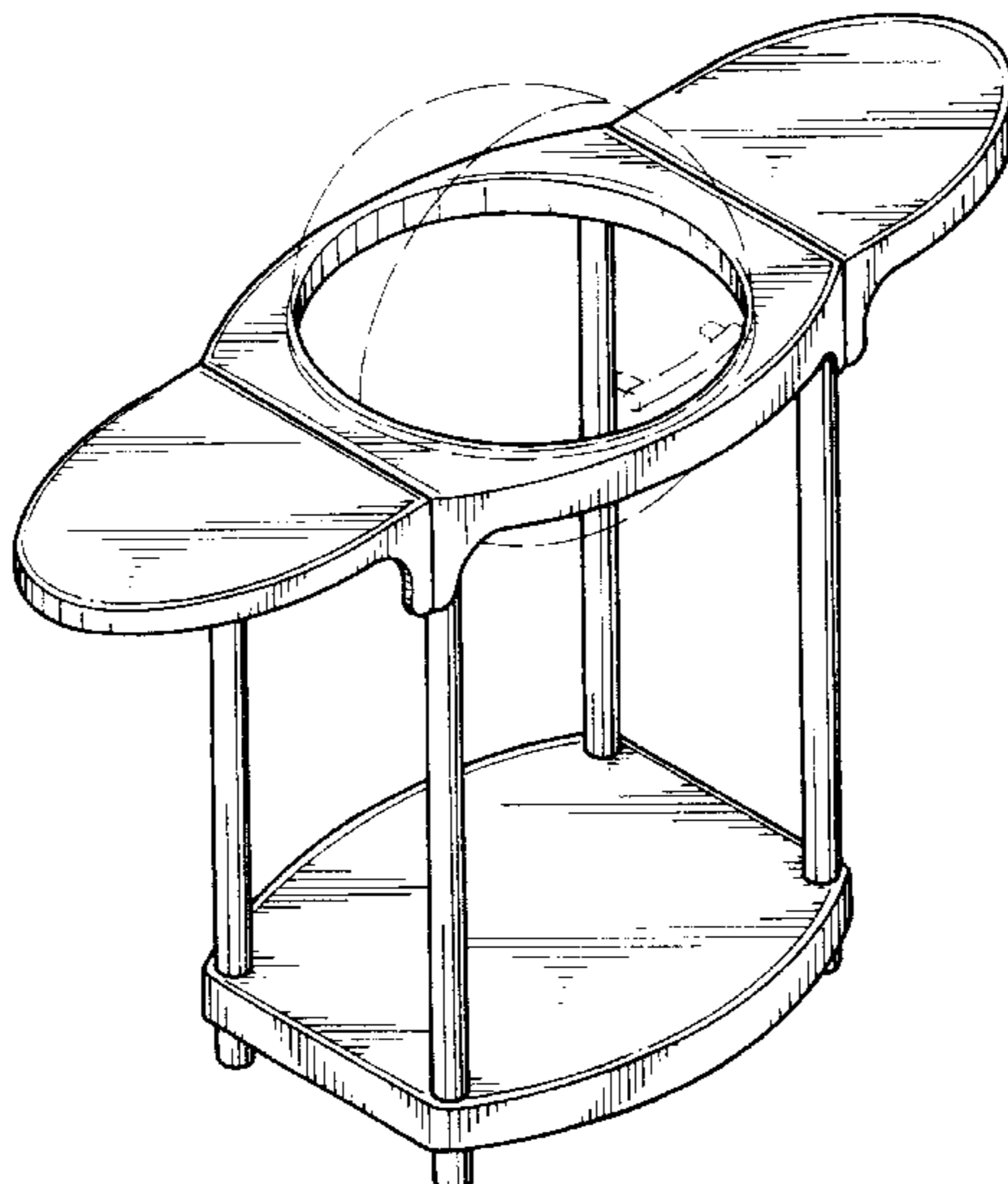
(57) **CLAIM**

The ornamental design for a charcoal grill stand, as shown
and described.

DESCRIPTION

FIG. 1 is a perspective view of a charcoal grill stand showing
my new design;
FIG. 2 is a front elevational view thereof;
FIG. 3 is a rear elevational view thereof;
FIG. 4 is a left side view thereof;
FIG. 5 is a right side view thereof;
FIG. 6 is a top plain view thereof;
FIG. 7 is a bottom plain view thereof; and,
FIG. 8 is a perspective view showing the application thereof,
wherein the phantom line portion is for illustrative purposes
only and forms no part of the claimed design.

1 Claim, 5 Drawing Sheets



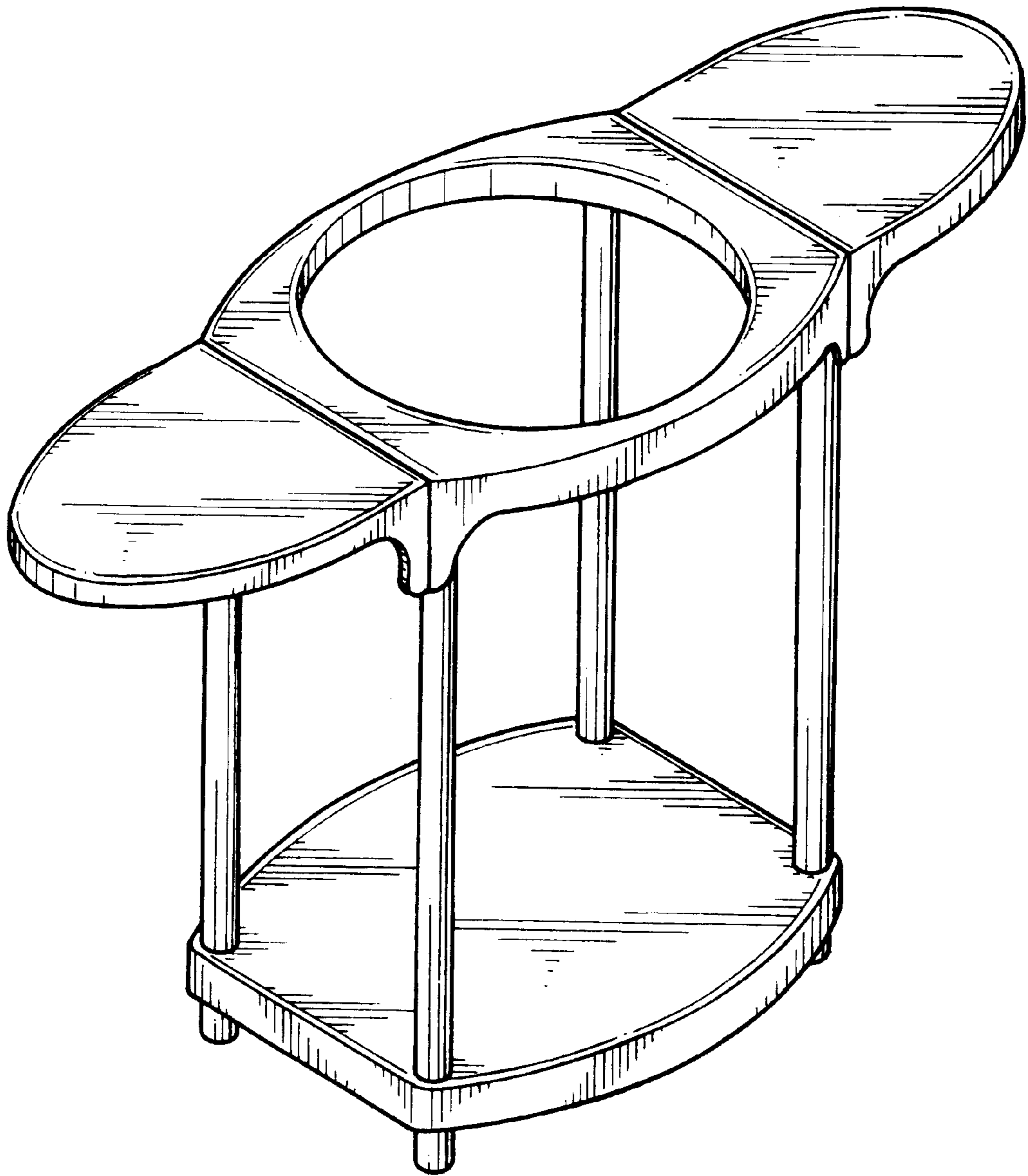


FIG. 1

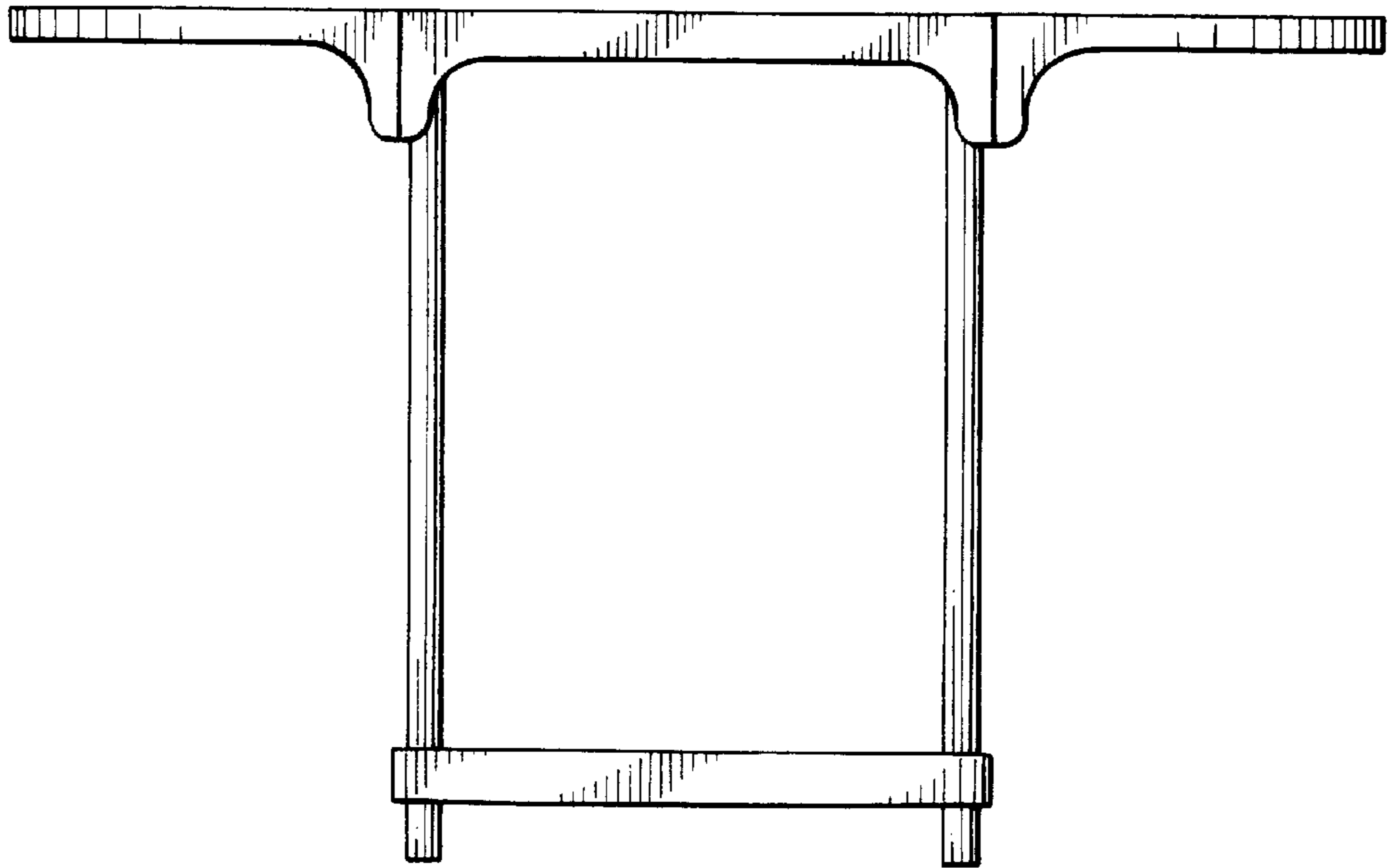


FIG. 2

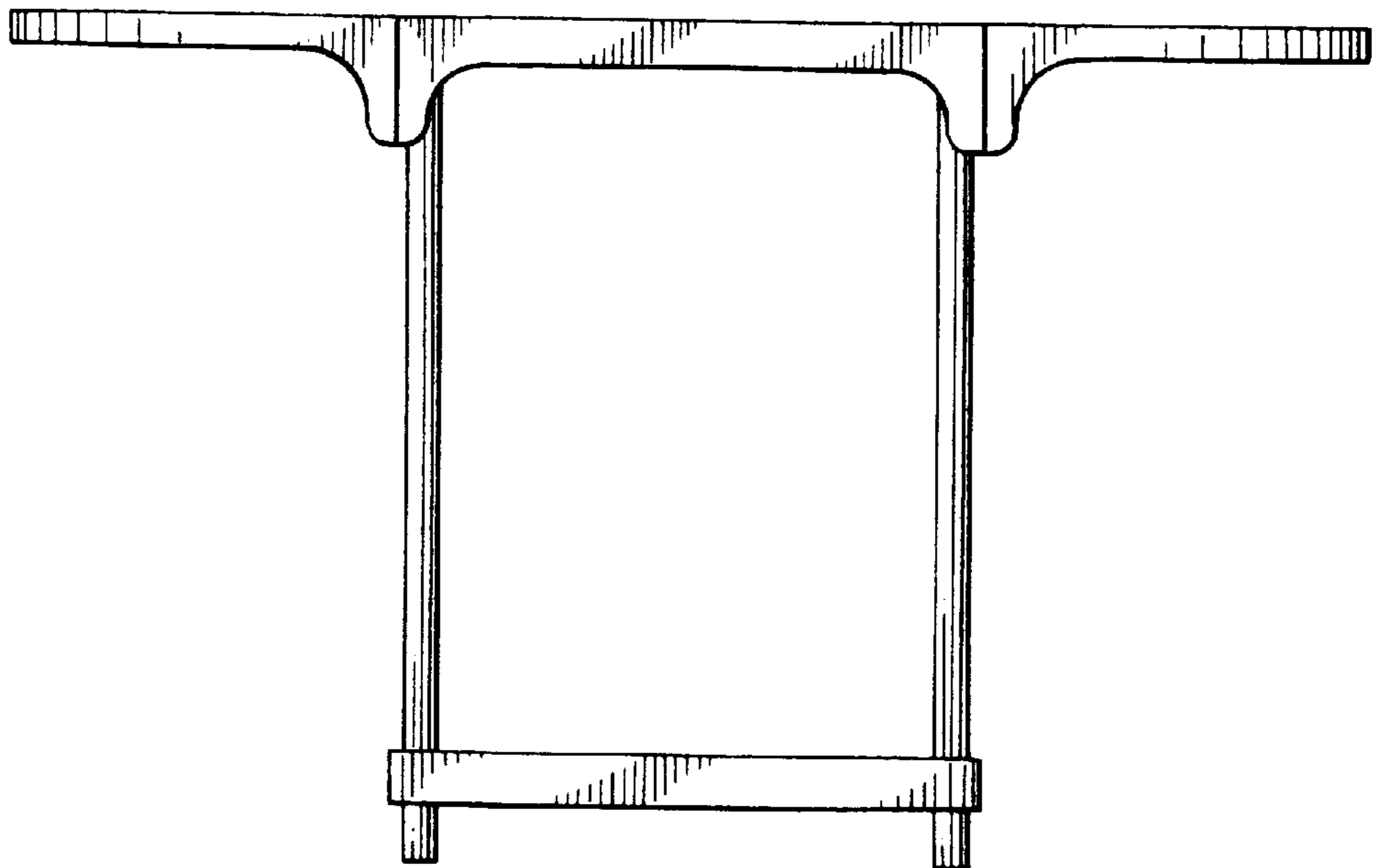


FIG. 3

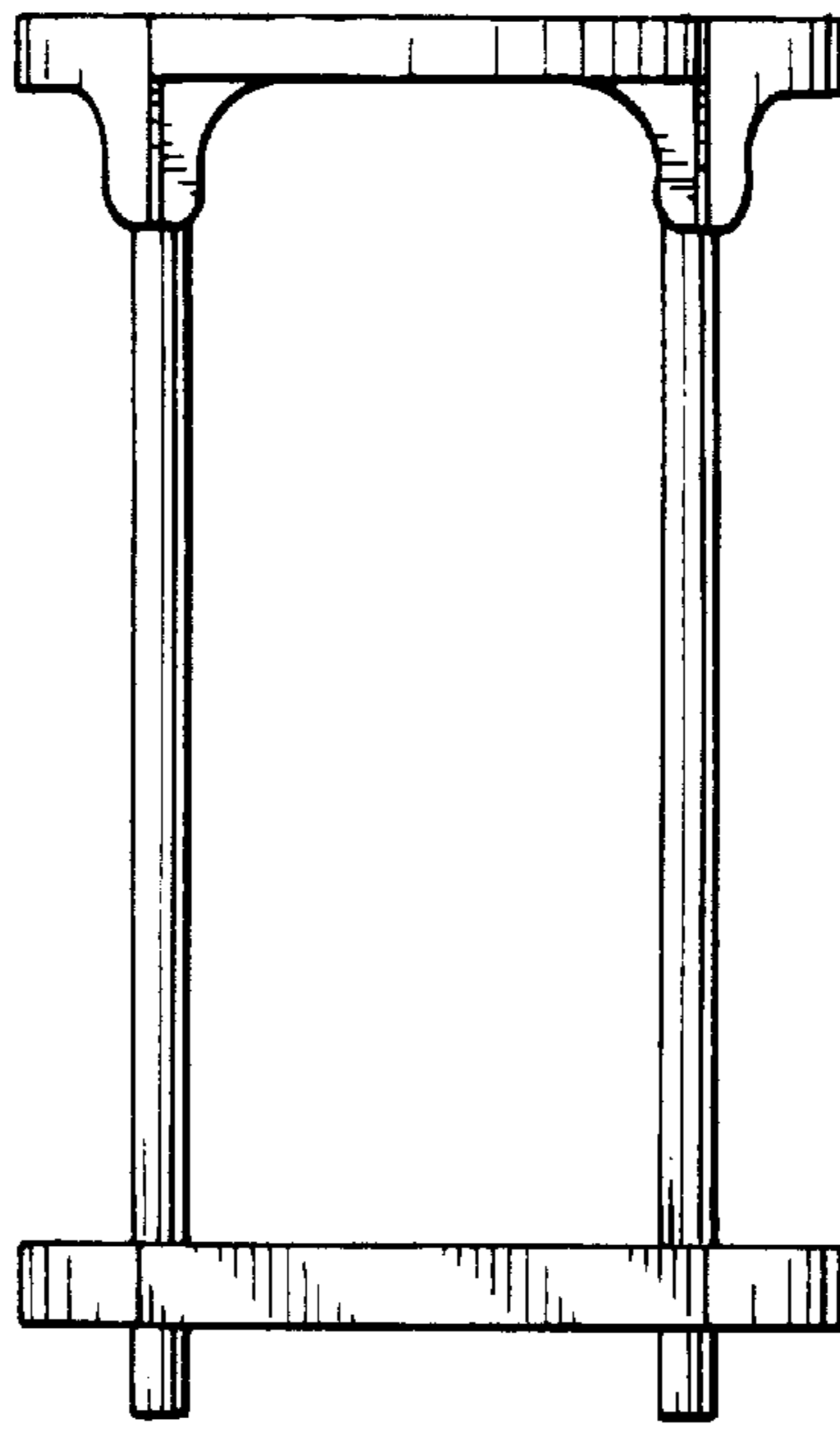


FIG. 4

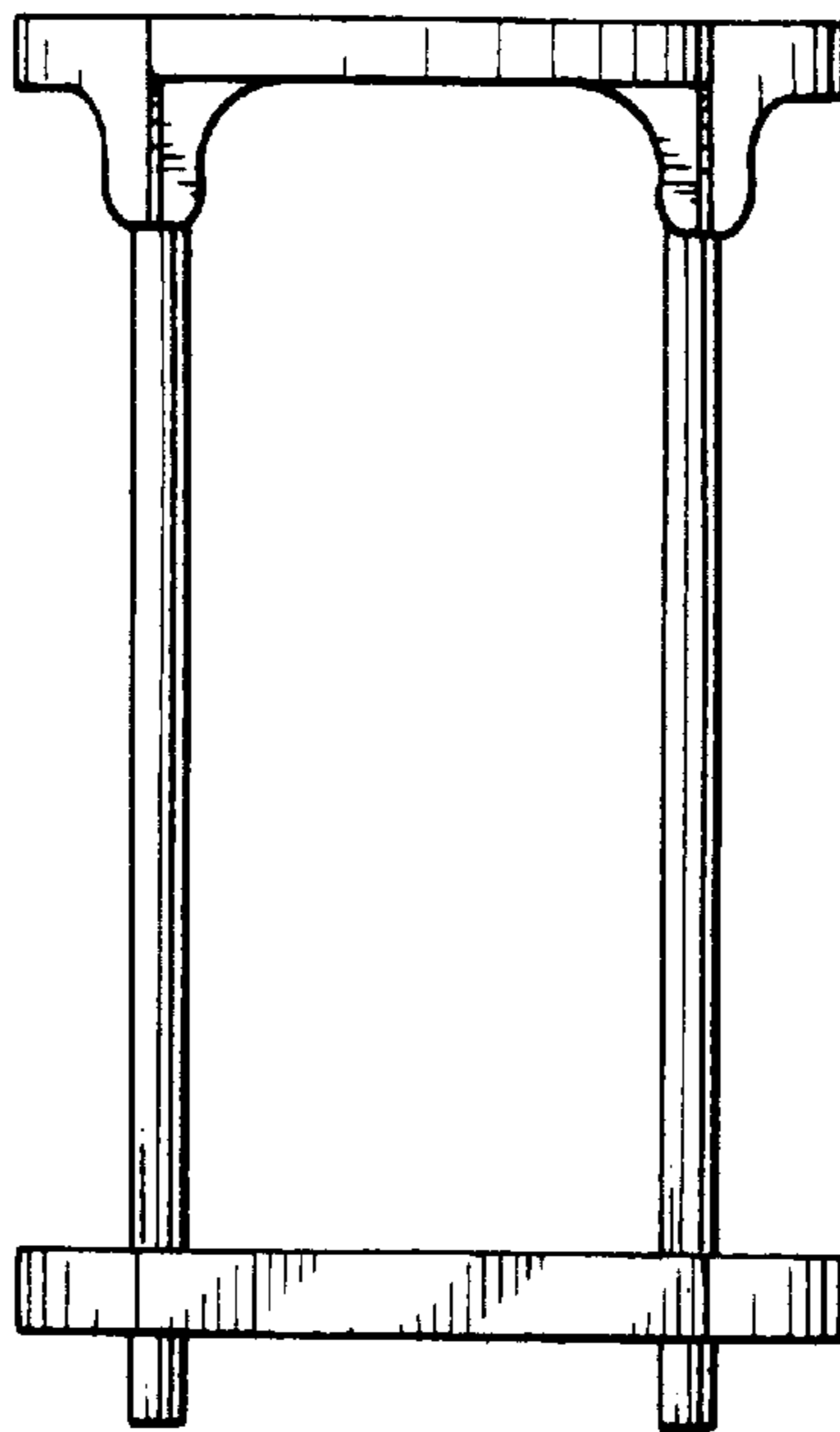


FIG. 5

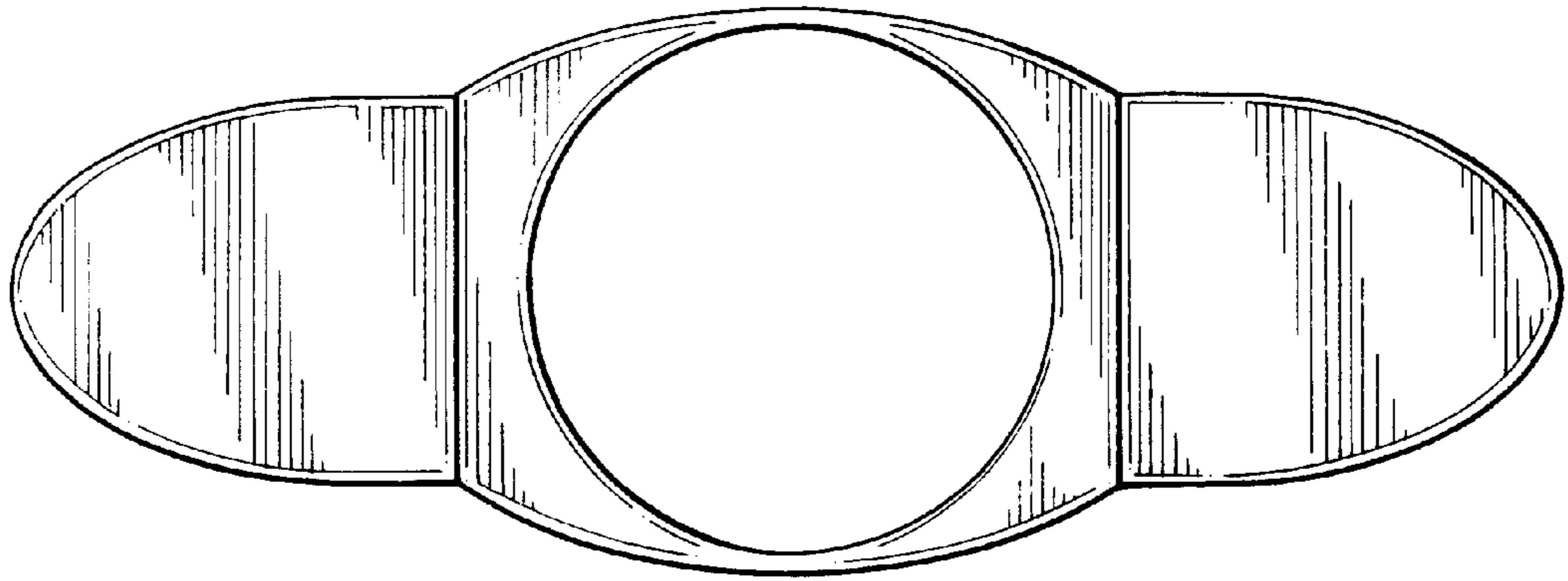


FIG. 6

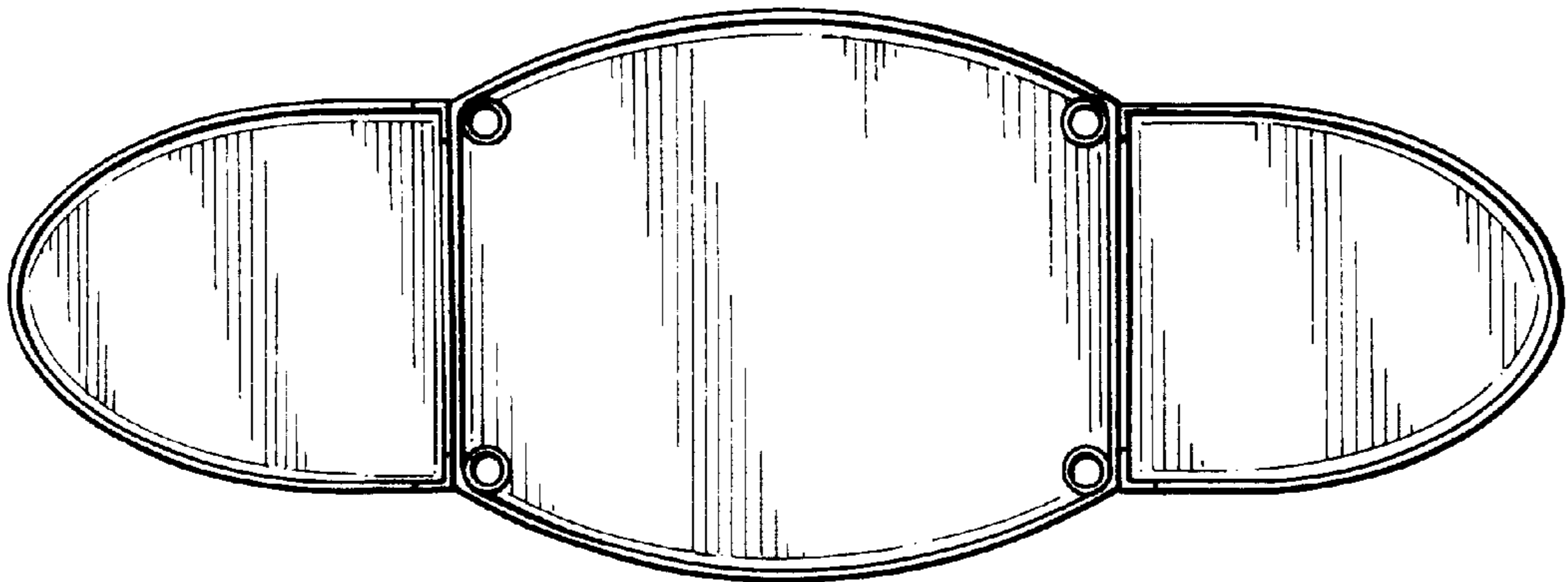


FIG. 7

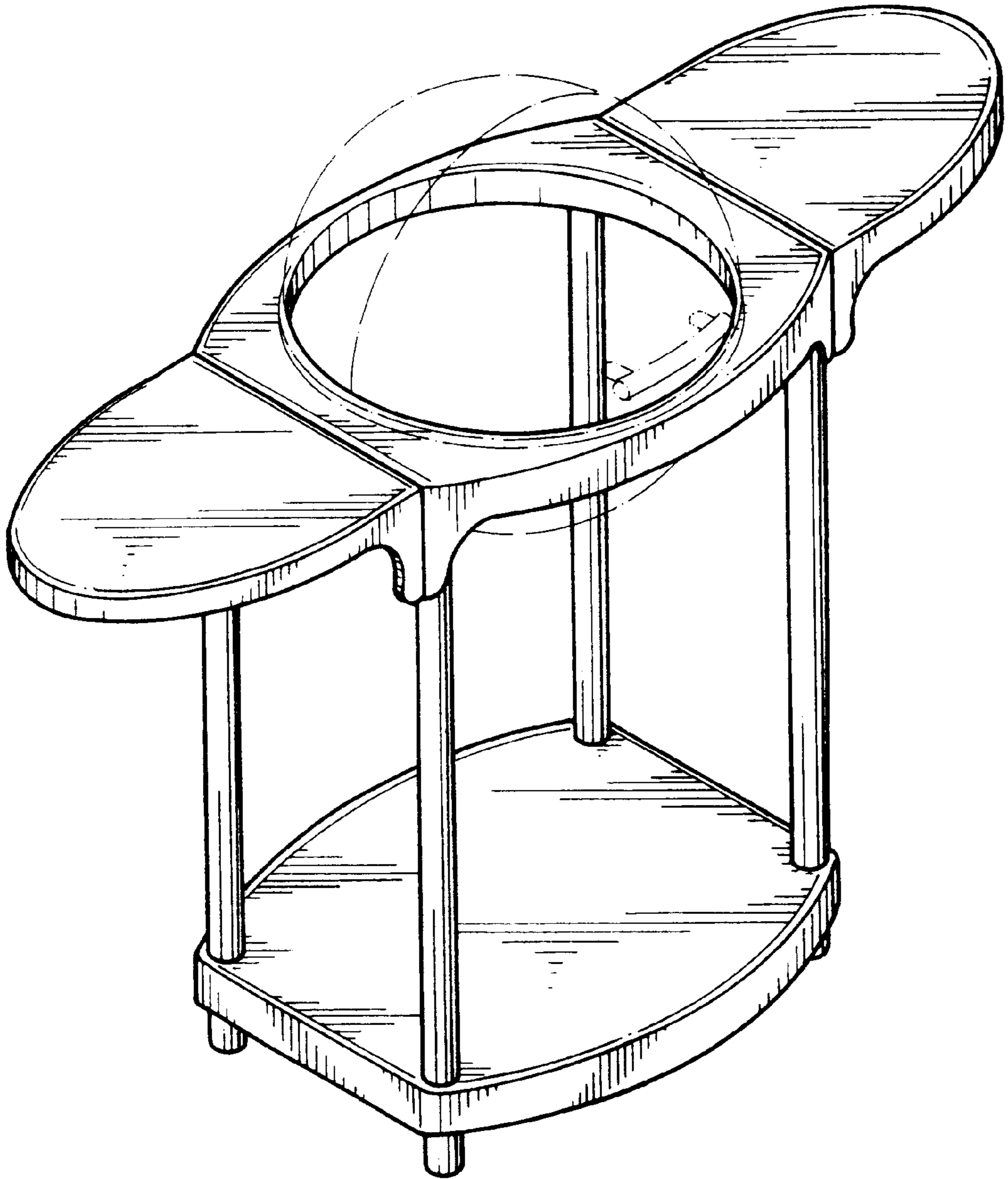


FIG. 8