



US00D447000B1

(12) **United States Design Patent**  
**Knowles**

(10) **Patent No.:** **US D447,000 S**

(45) **Date of Patent:** **\*\* Aug. 28, 2001**

(54) **HOOD FOR A BARBECUE GRILL**

(76) Inventor: **Floyd M. Knowles**, 3310 Enterprise Dr., Wilmington, NC (US) 28405

(\*\*) Term: **14 Years**

(21) Appl. No.: **29/119,501**

(22) Filed: **Mar. 1, 2000**

(51) **LOC (7) Cl.** ..... **07-02**

(52) **U.S. Cl.** ..... **D7/402**

(58) **Field of Search** ..... D7/332-337, 402-404, D7/406; 126/31 R, 40, 50, 9 R, 25 R, 25 A, 25 AA, 29-30, 37 R, 38, 332

(56) **References Cited**

**U.S. PATENT DOCUMENTS**

D. 381,868	*	8/1997	Schmitt et al.	.....	D7/402
D. 406,490	*	3/1999	Daniels et al.	.....	D7/334
D. 430,772	*	9/2000	Ganard	.....	D7/334
D. 437,177	*	2/2001	Giebel et al.	.....	D7/334
4,840,118	*	6/1989	Rinehart	.....	99/446
5,718,165	*	2/1998	Winstead	.....	99/400

**OTHER PUBLICATIONS**

A photocopy of a one-page flyer for a "Grill-N-Roast" Pat. 5,529,798 Jun. 25, 1996.

A photocopy of a one-page flyer for a "Bubba" Grill Pat. 5,718,165 Feb. 7, 1998.

\* cited by examiner

*Primary Examiner*—Ruth McInroy

(74) *Attorney, Agent, or Firm*—Michael E. Mauney

(57) **CLAIM**

The ornamental design for a hood for a barbecue grill, as shown and described.

**DESCRIPTION**

FIG. 1 is a top right perspective view of a hood for a barbecue grill showing my new design; FIG. 2 is a top right perspective view thereof; FIG. 3 is a front elevational view thereof; FIG. 4 is a rear elevational view thereof; FIG. 5 is a right side elevational view thereof; FIG. 6 is a left side elevational view thereof; FIG. 7 is a top plan view thereof; and, FIG. 8 is a bottom plan view thereof.

The barbecue grill base, handle, and thermometer face shown in broken lines in FIG. 1 is for illustrative purposes only and forms no part of the claimed design.

**1 Claim, 7 Drawing Sheets**

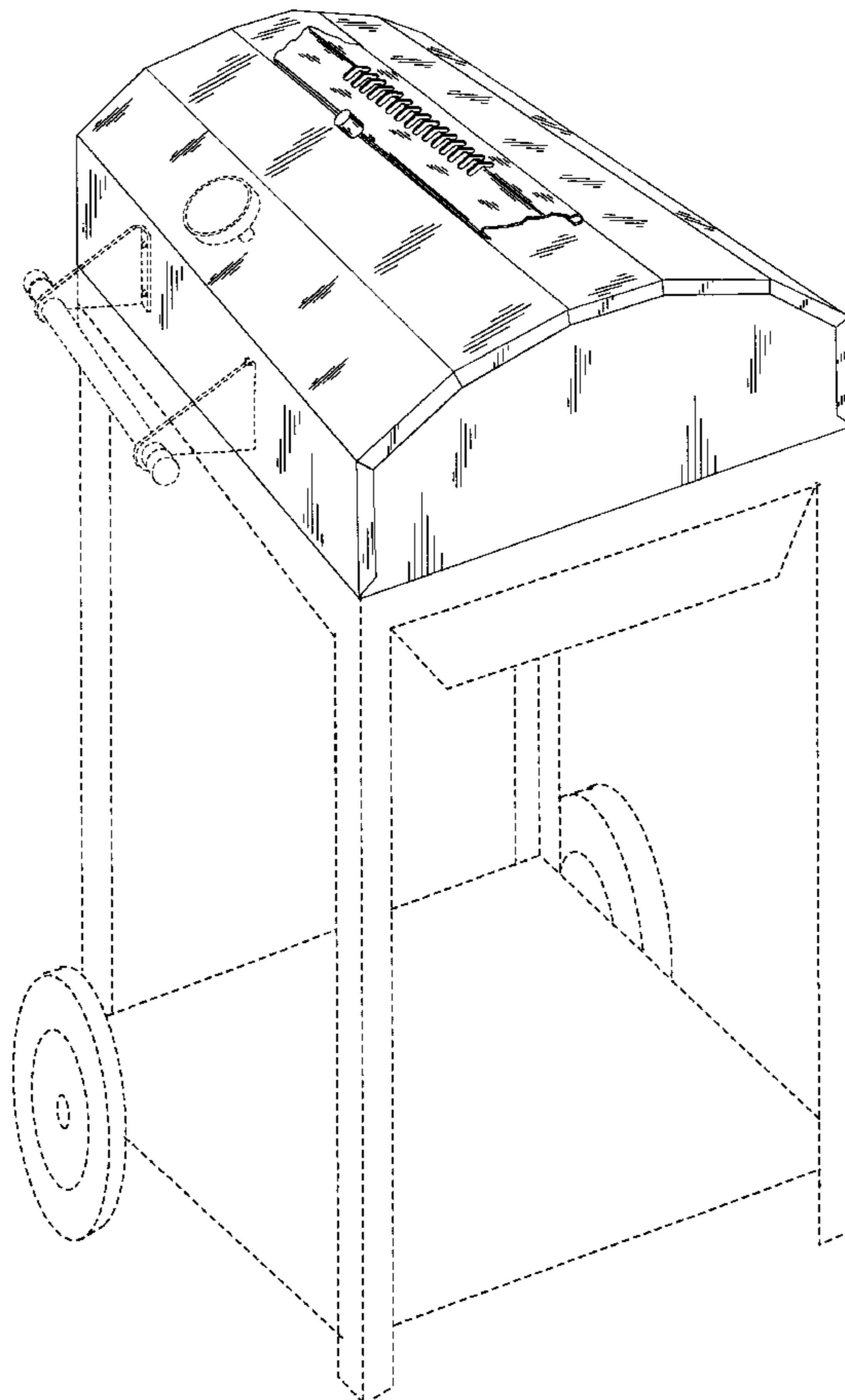


FIG. 1

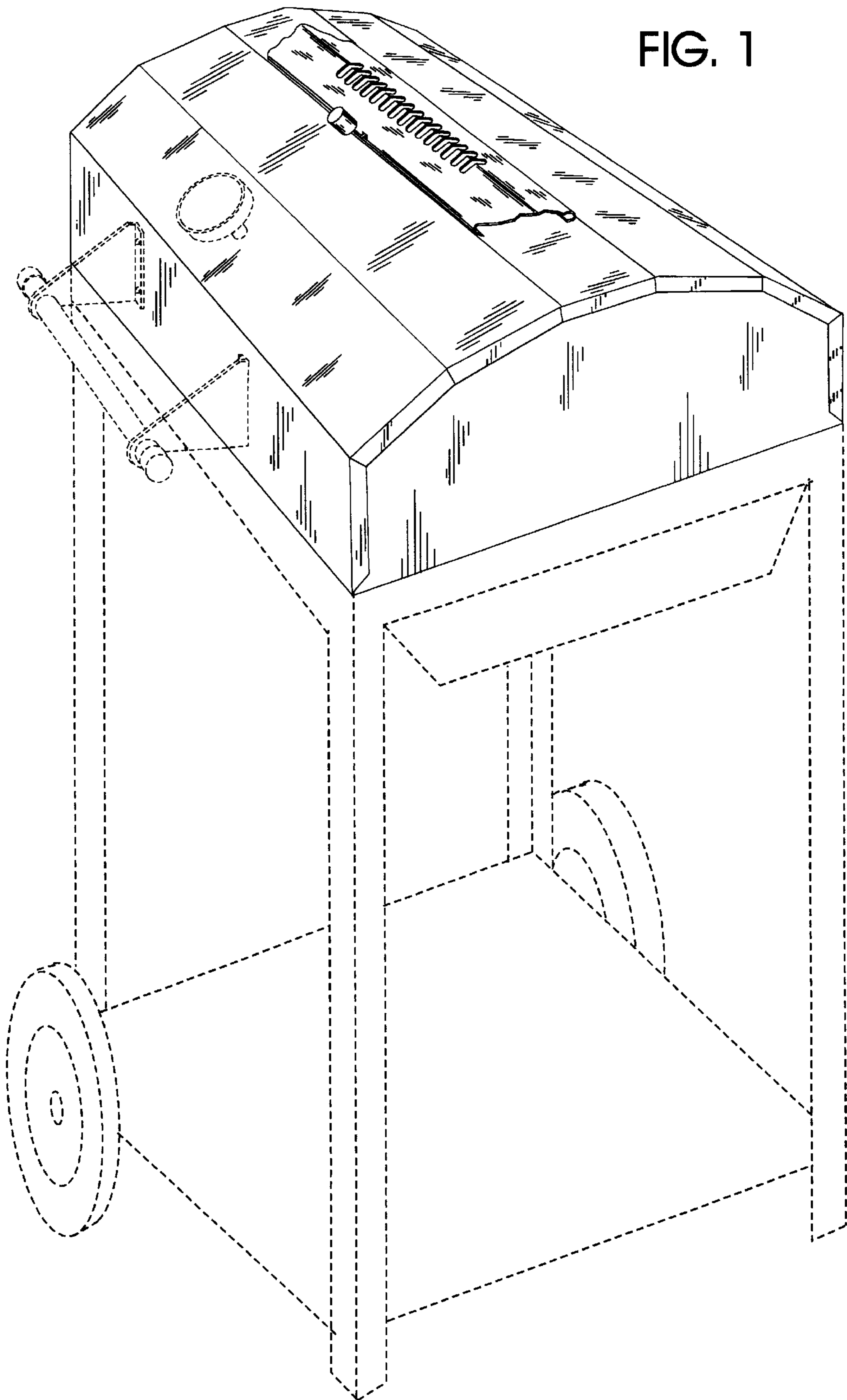


FIG. 2

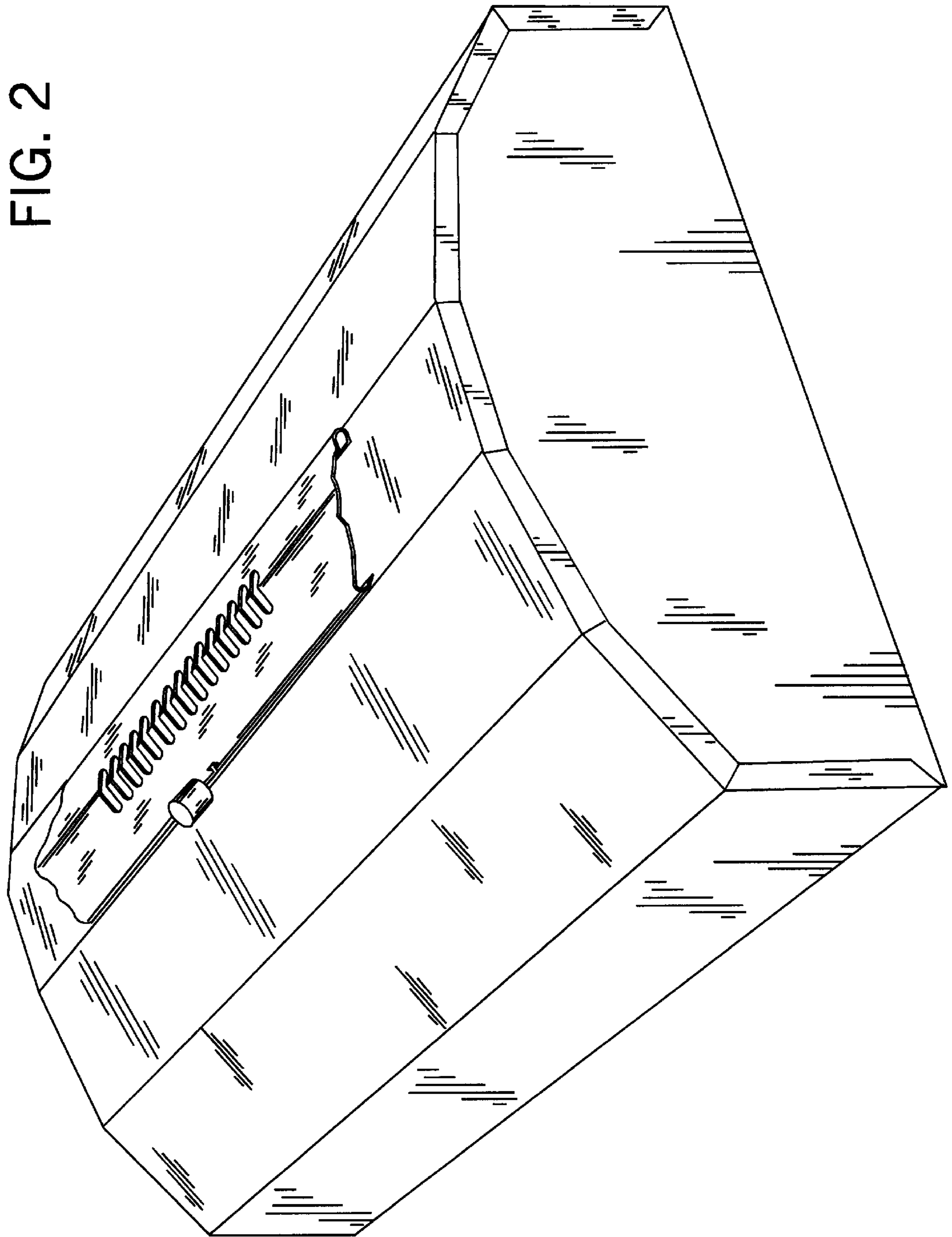


FIG. 3

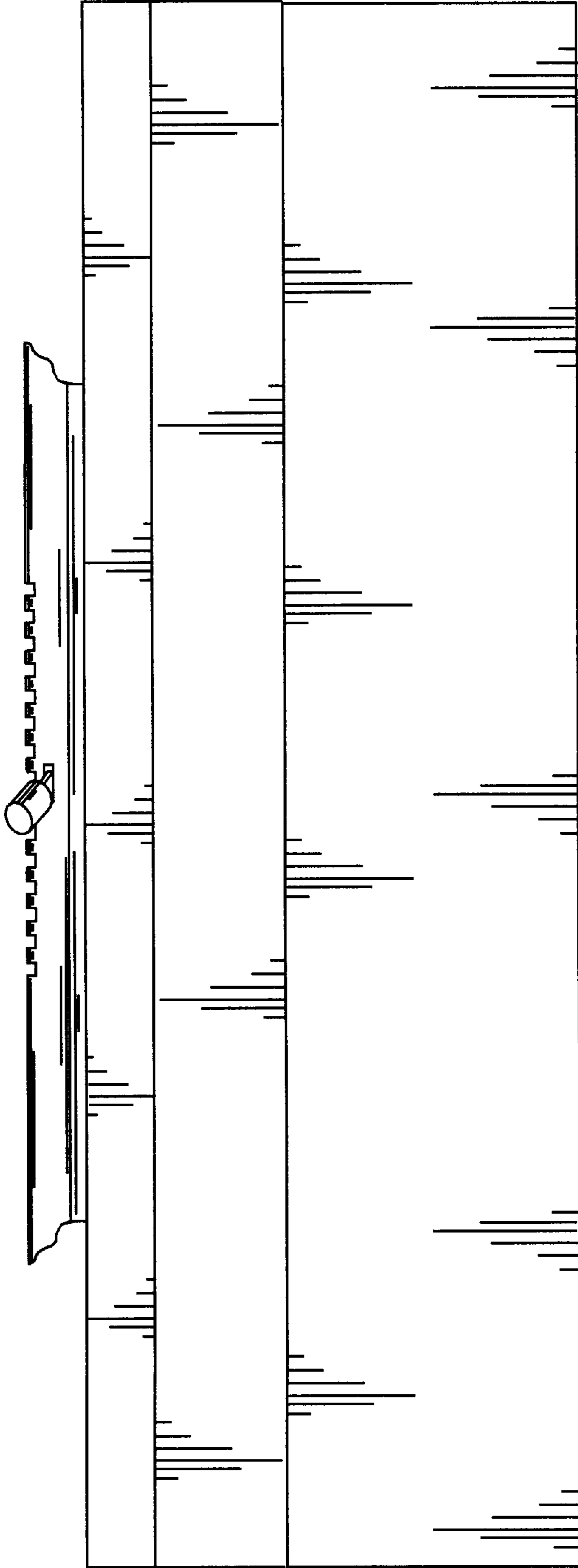


FIG. 4

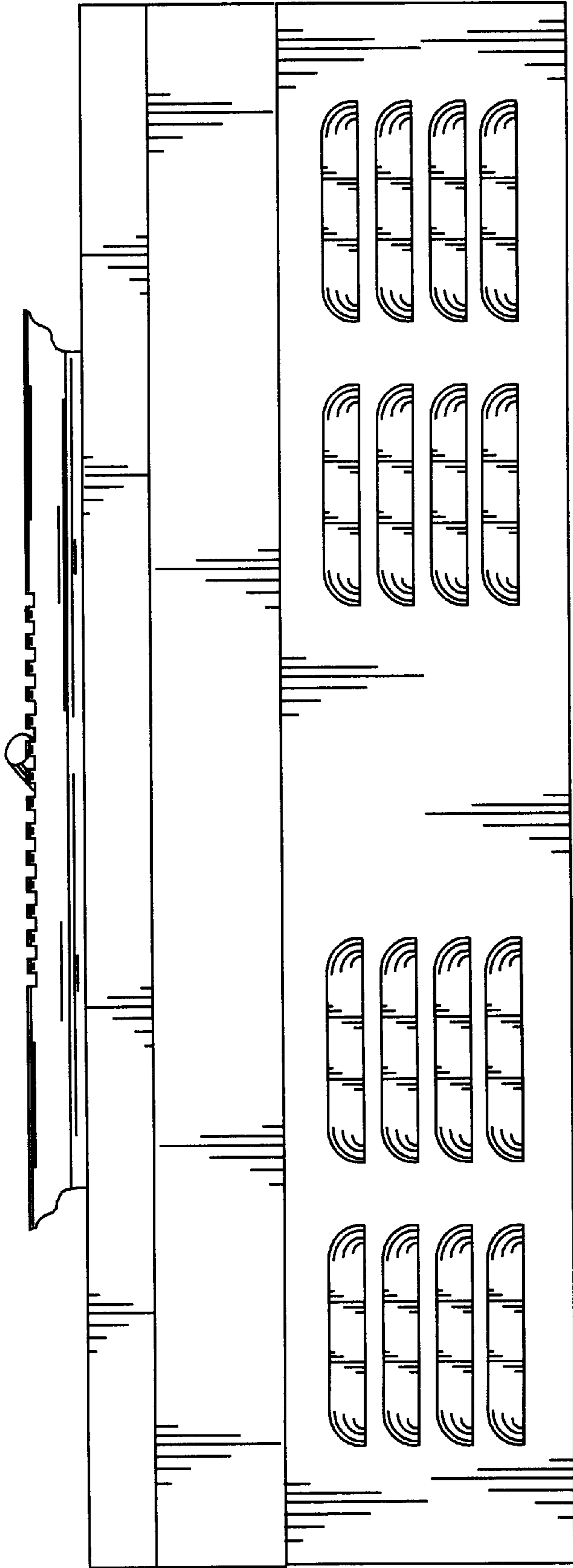


FIG. 5

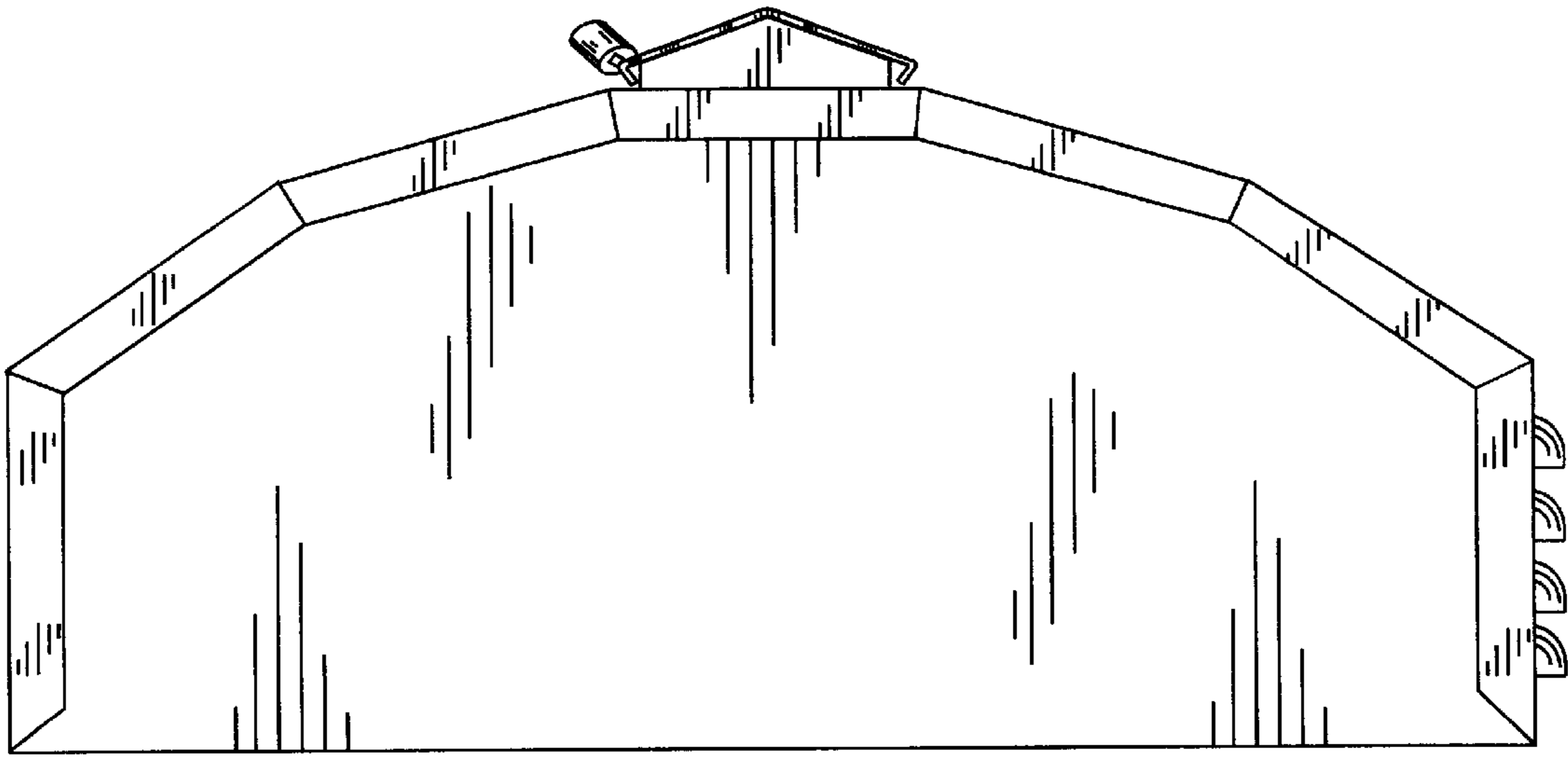


FIG. 6

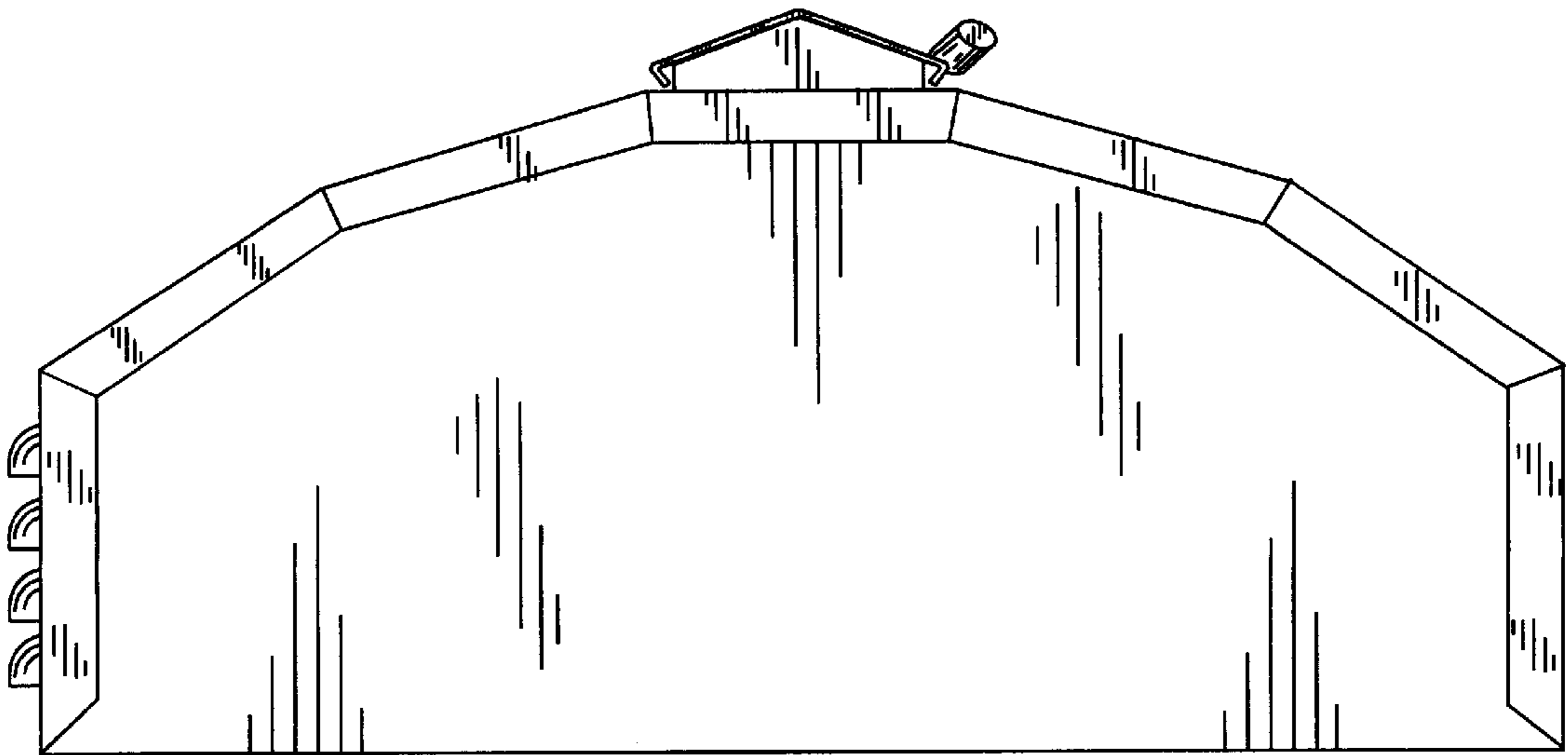




FIG. 7

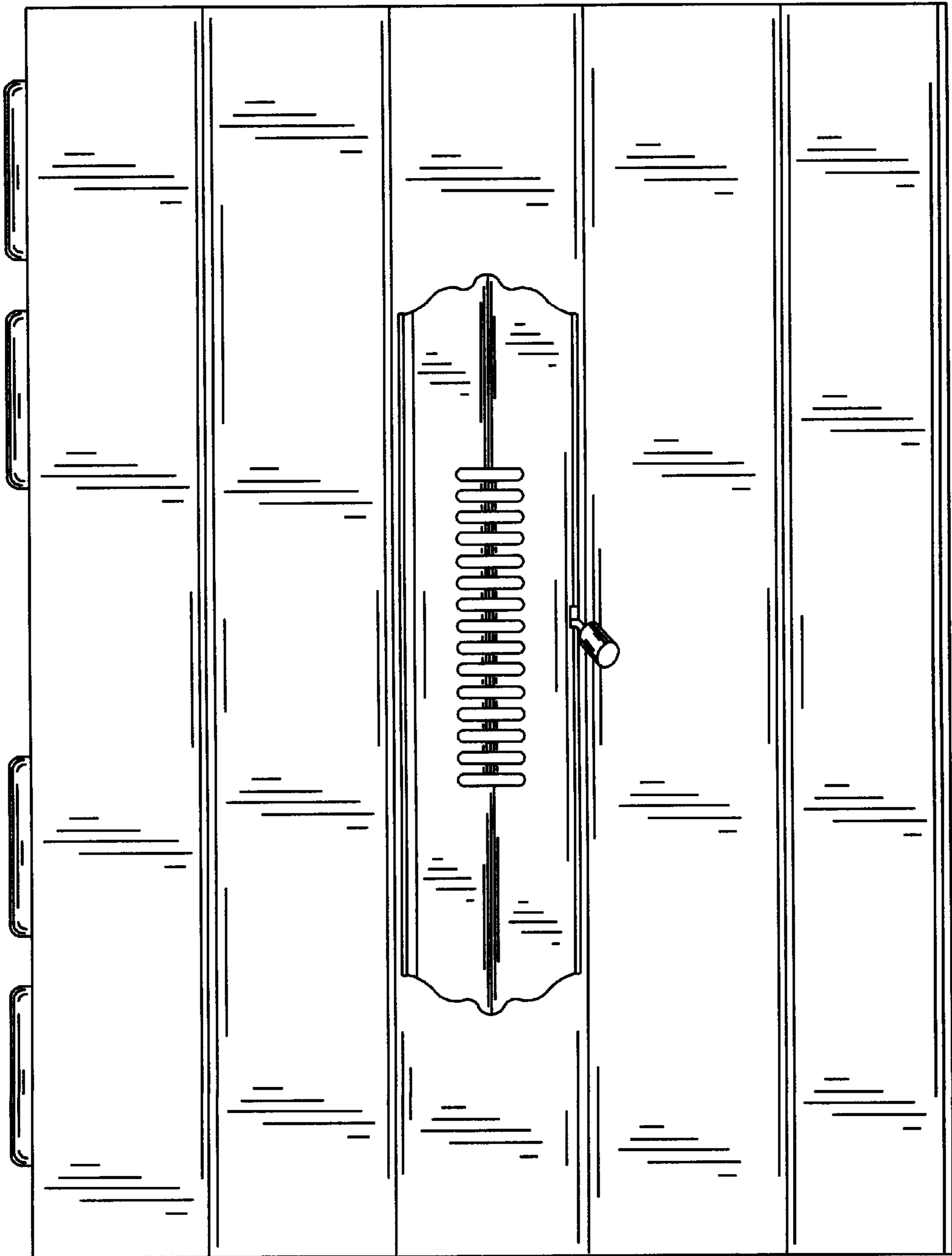


FIG. 8

