



US00D446999B1

(12) **United States Design Patent**
Lord et al.

(10) **Patent No.: US D446,999 S**

(45) **Date of Patent: ** Aug. 28, 2001**

(54) **CONTROL ELEMENT**

(75) Inventors: **Cindy J. S. Lord; William John Teller**, both of Springfield, IL (US)

(73) Assignee: **Bunn-O-Matic Corporation**, Springfield, IL (US)

(**) Term: **14 Years**

(21) Appl. No.: **29/121,874**

(22) Filed: **Apr. 12, 2000**

Related U.S. Application Data

(62) Division of application No. 29/105,200, filed on May 20, 1999, now Pat. No. Des. 432,861.

(51) **LOC (7) Cl.** **31-00**

(52) **U.S. Cl.** **D7/397**

(58) **Field of Search** D7/309, 308, 310, D7/305, 311, 387, 397, 213, 392; 99/281, 295, 304, 306, 284, 307; D13/158, 162, 171; 200/344; D10/118

(56) **References Cited**

U.S. PATENT DOCUMENTS

- D. 223,924 * 6/1972 Adelson D13/171
- D. 259,790 * 7/1981 Hentschel D7/311 X
- D. 269,183 * 5/1983 van Asten D7/309
- D. 274,029 5/1984 Daugherty .
- D. 300,597 * 4/1989 Pandolfi D7/309
- D. 301,136 * 5/1989 Saito D13/171
- D. 305,019 * 12/1989 Pena et al. D13/171
- D. 306,677 * 3/1990 Baruschke D7/309
- D. 311,845 * 11/1990 Downie D7/309
- D. 313,147 * 12/1990 Rossio et al. D7/309
- D. 316,795 * 5/1991 Brewer D7/308
- D. 324,621 * 3/1992 Haslacher D7/309
- D. 325,559 * 4/1992 Rosenbaum et al. D13/171
- D. 335,867 * 5/1993 Rowen D13/171
- D. 336,002 * 6/1993 Balzano D7/309
- D. 340,381 * 10/1993 Mermillod D7/309
- D. 340,878 * 11/1993 Spinosa D10/118
- D. 344,206 * 2/1994 Azpiri D7/309

- D. 348,373 * 7/1994 Webster D7/311
- D. 355,562 * 2/1995 DeFelip D7/309
- D. 360,331 * 7/1995 McNeill D7/305
- D. 382,437 * 8/1997 Amiel D7/309
- D. 409,432 * 5/1999 O'Keefe D7/309
- 4,503,757 * 3/1985 Daugherty 99/281
- 4,550,652 * 11/1985 Da Silva 99/295 X
- 4,825,758 * 5/1989 Snowball et al. 99/306 X
- 4,888,467 * 12/1989 Hoffmann 99/307
- 4,892,031 * 1/1990 Webster et al. 99/295 X
- 5,424,516 * 6/1995 Emmons 200/344

OTHER PUBLICATIONS

- Bunn-O-Matic Product Catalog, Automatic Three-warmer Coffee Brewers, Copyright 1991, 2 sheets.
- Bunn-O-Matic Product Catalog, Coffee Management System, Copyright 1993, 2 sheets.
- Bunn-O-Matic Product Catalog, Automatic 1-Group Espresso Machine, Copyright 1993, 2 sheets.
- Bunn-O-Matic Product Catalog, Two Group Espresso Machines, Copyright 1995, 2 sheets.
- Bunn-O-Matic Product Catalog, Two Group Espresso Machines, Copyright 1996, 2 sheets.
- Bunn-O-Matic Product Catalog, Automatic 1-Group Espresso Brewer, Copyright 1996, 2 sheets.

* cited by examiner

Primary Examiner—M. N. Pandozzi

(74) *Attorney, Agent, or Firm*—Barnes & Thornburg

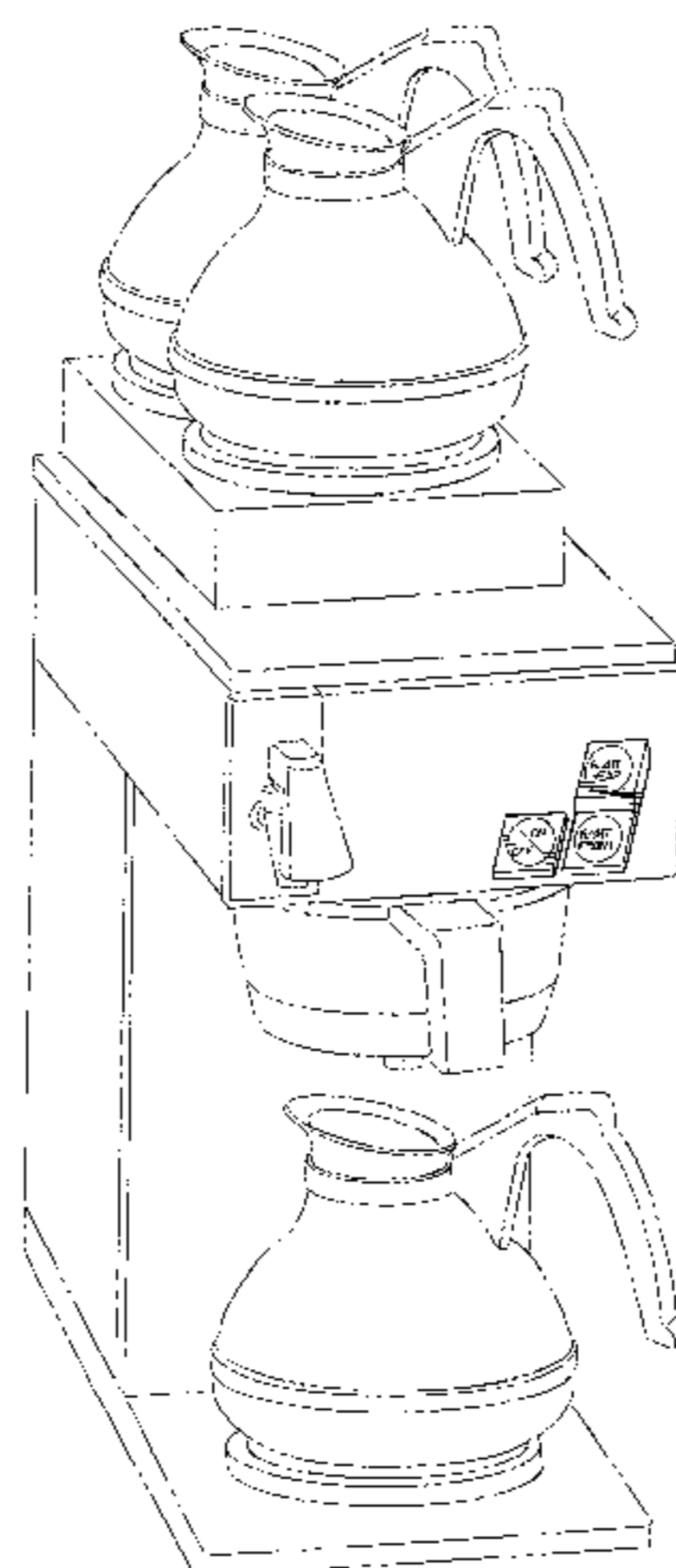
(57) **CLAIM**

The ornamental design for a control element, as shown and described.

DESCRIPTION

FIG. 1 is an in-use perspective view of a control element showing our new design; FIG. 2 is an enlarged front elevational view thereof; and, FIG. 3 is an enlarged front elevational view showing a second embodiment of our new design. The broken lines in FIGS. 1-3 are for illustrative purposes only and form no part of the claimed design.

1 Claim, 3 Drawing Sheets



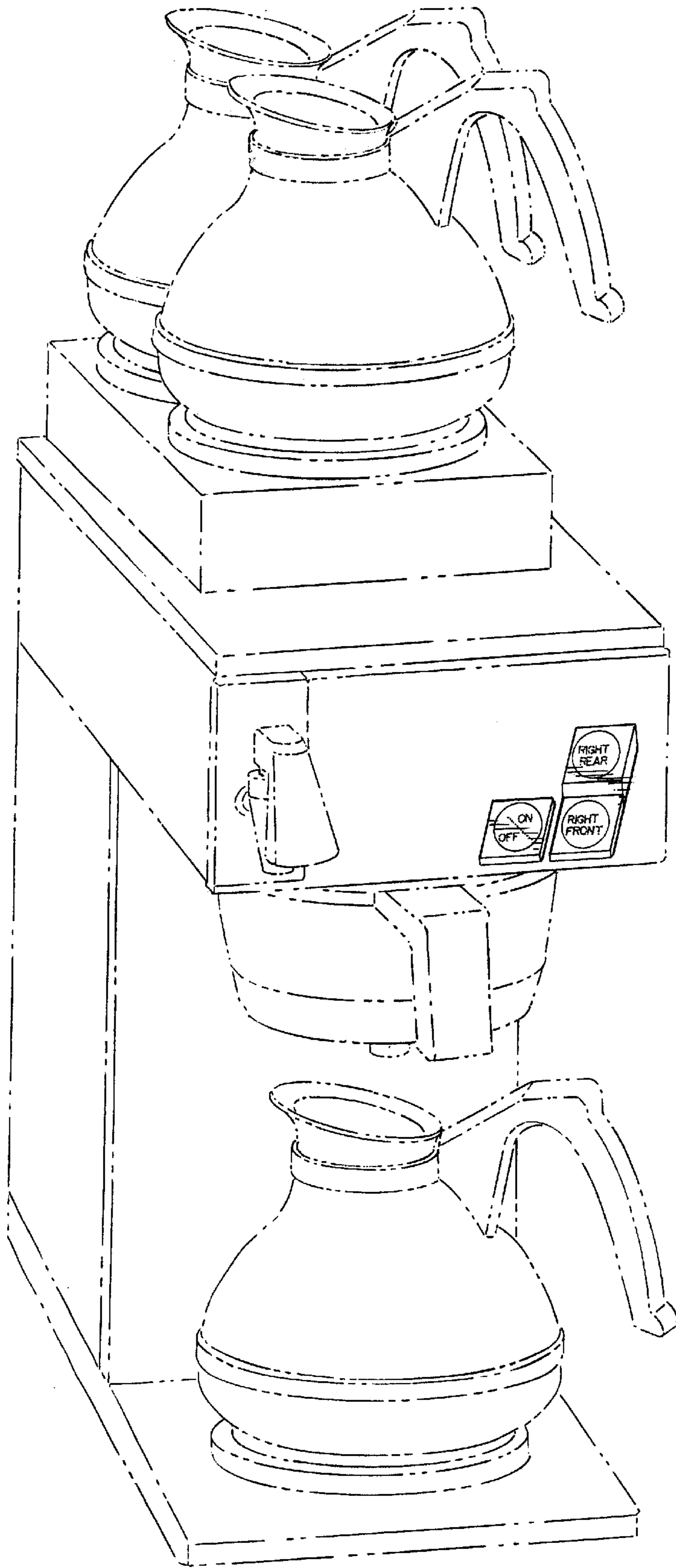


FIG. 1

FIG. 2

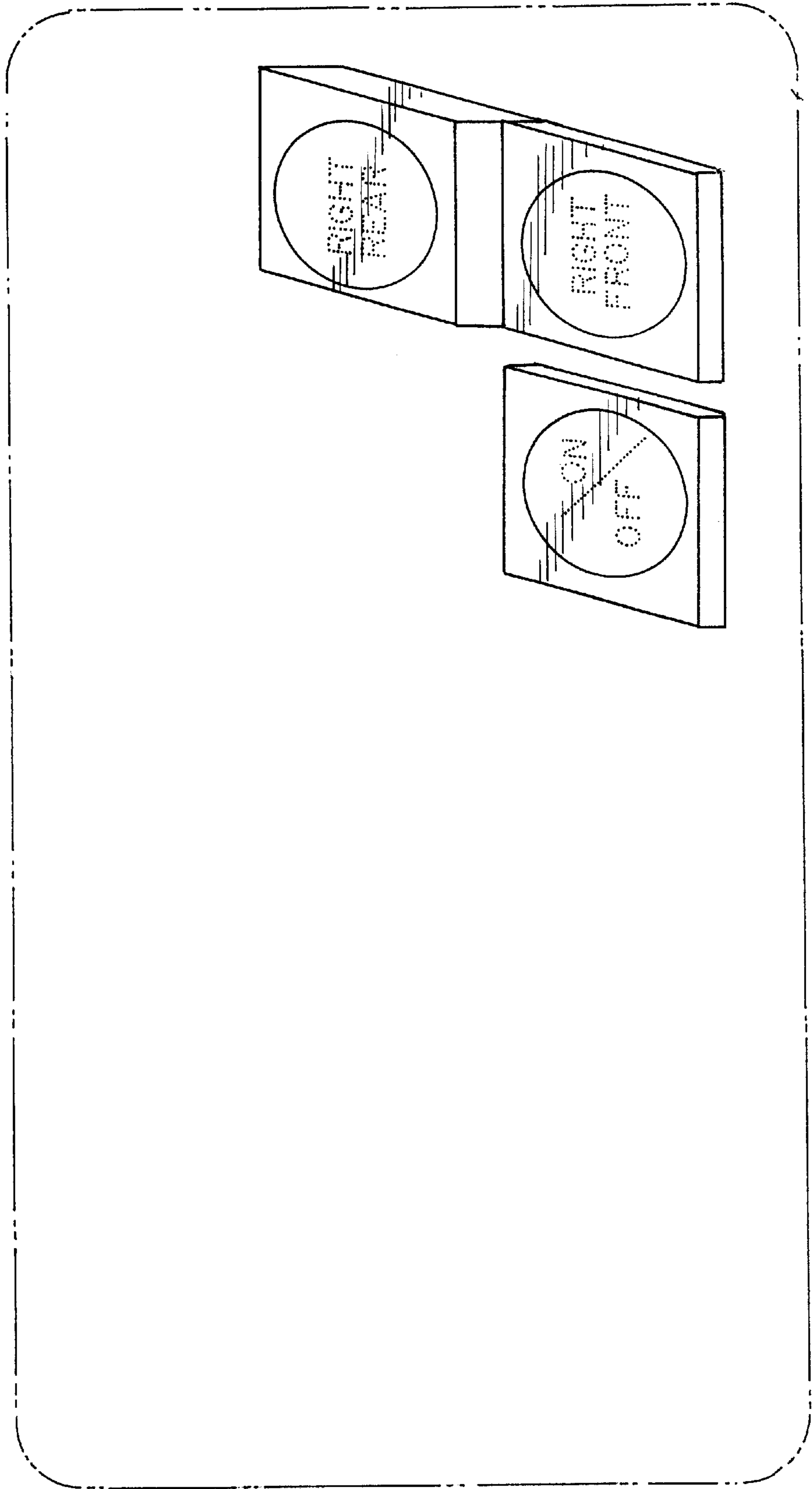


FIG. 3

