



US00D446997B1

(12) **United States Design Patent**
Price

(10) **Patent No.:** **US D446,997 S**

(45) **Date of Patent:** **** Aug. 28, 2001**

(54) **MUG LID**

(75) Inventor: **Eric Justin Price**, Medford, MA (US)

(73) Assignee: **Punch Products USA, Inc.**, Rahway, NJ (US)

(**) Term: **14 Years**

(21) Appl. No.: **29/117,841**

(22) Filed: **Jan. 31, 2000**

(51) **LOC (7) Cl.** **07-01**

(52) **U.S. Cl.** **D7/392.1**

(58) **Field of Search** D7/392.1, 510,
D7/511; 220/711, 713, 716; D9/434, 435,
447, 449, 450

(56) **References Cited**

U.S. PATENT DOCUMENTS

D. 377,293 * 1/1997 Husted D7/510
D. 412,809 8/1999 Toro et al. D7/378

OTHER PUBLICATIONS

Color photograph of blender that was the basis for "AA" above—this is the same art as depicted in "AA" above.

* cited by examiner

Primary Examiner—Terry A. Wallace

(74) *Attorney, Agent, or Firm*—Pennie & Edmonds LLP

(57) **CLAIM**

The ornamental design for a mug lid, as shown and described.

DESCRIPTION

FIG. 1 is a perspective view of a mug lid according to the present invention, with a mug shown in broken lines and therefore not constituting part of the claimed design;

FIG. 2 is a front view thereof;

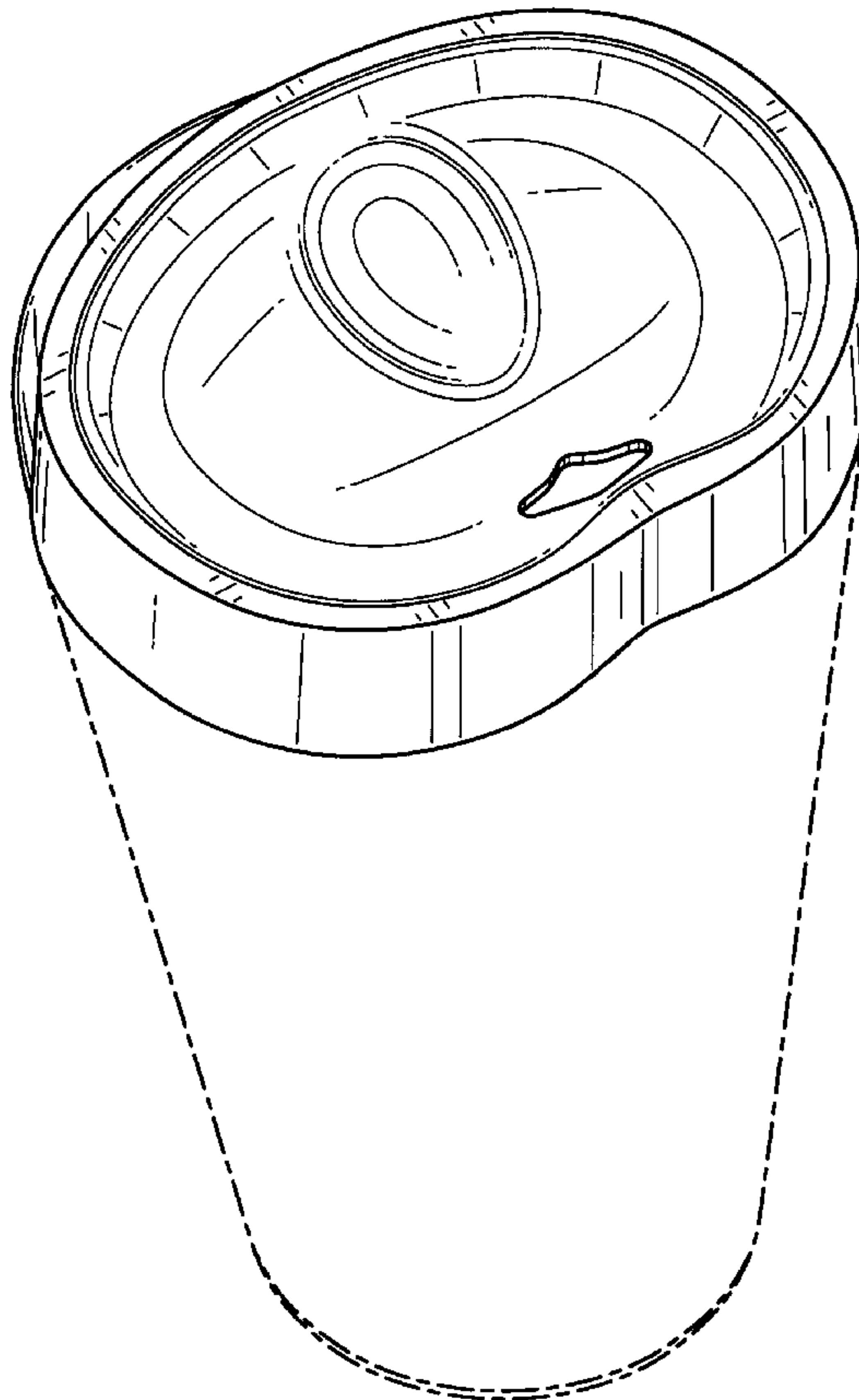
FIG. 3 is a rear view thereof;

FIG. 4 is a left side view thereof, the right side view being a mirror image thereof; and,

FIG. 5 is a top view thereof.

It should be understood that the claimed lid design can be modified to fit a variety of containers without departing from the scope and spirit of the claimed design.

1 Claim, 5 Drawing Sheets



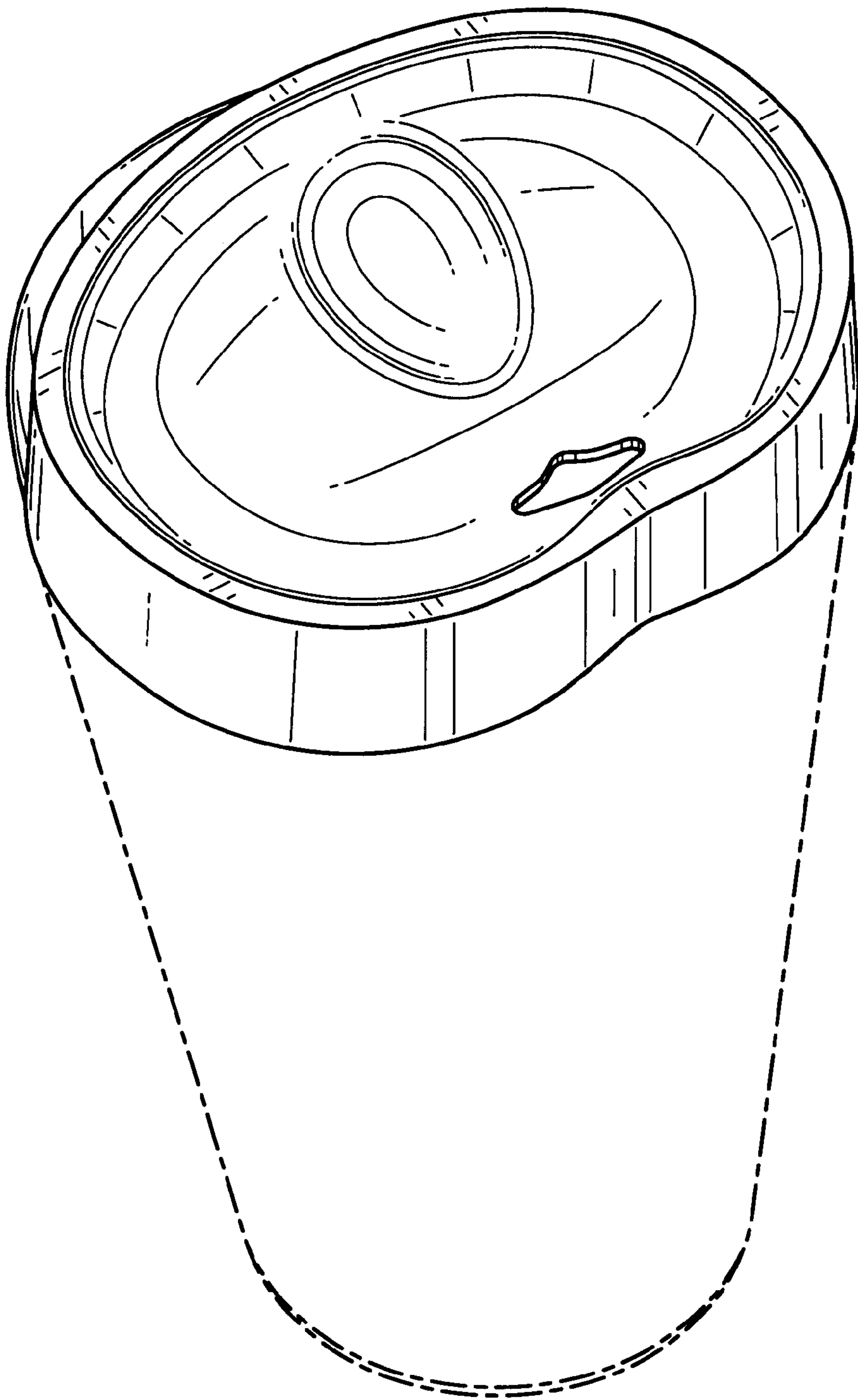


FIG. 1

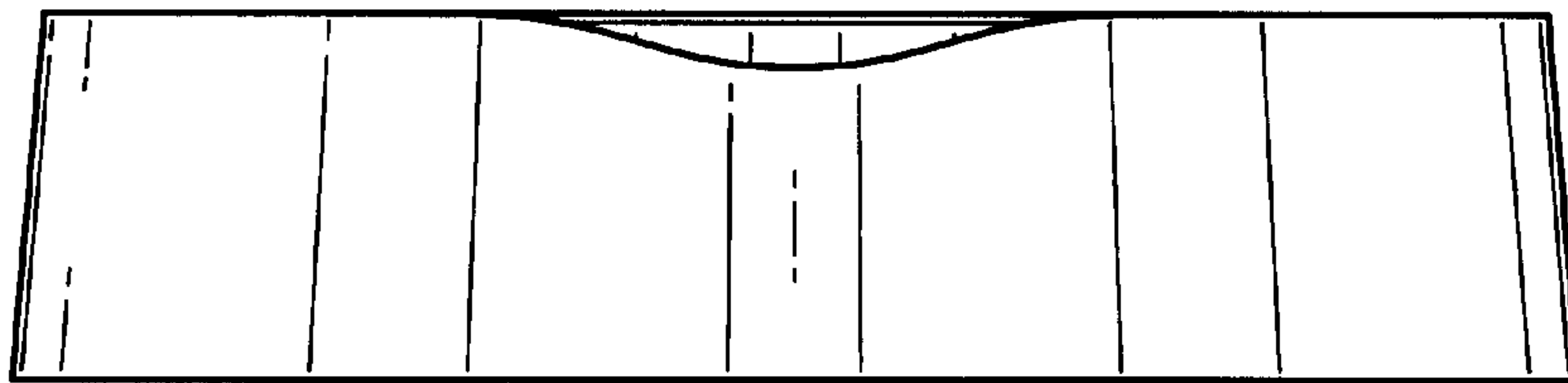


FIG. 2

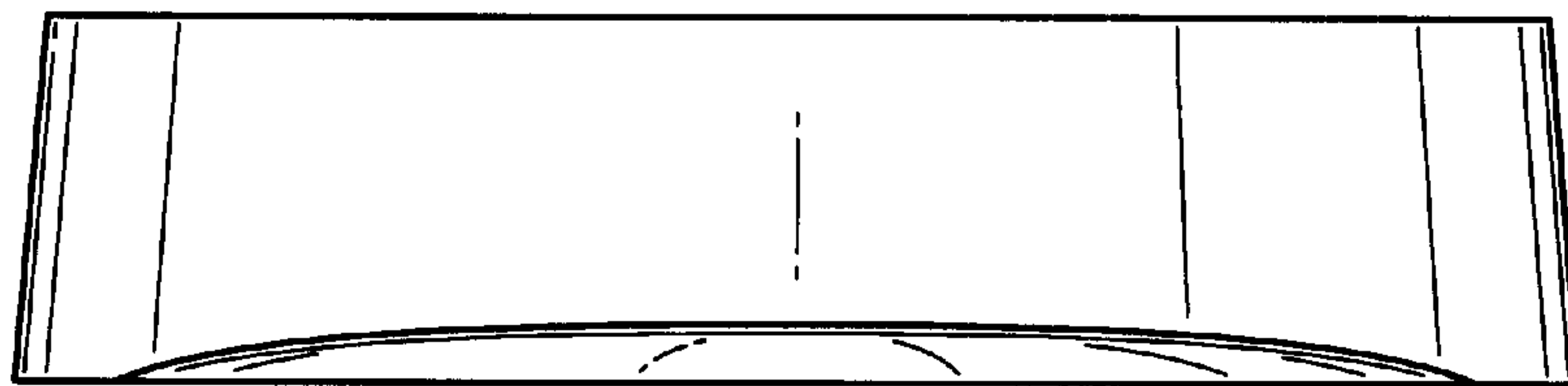


FIG. 3

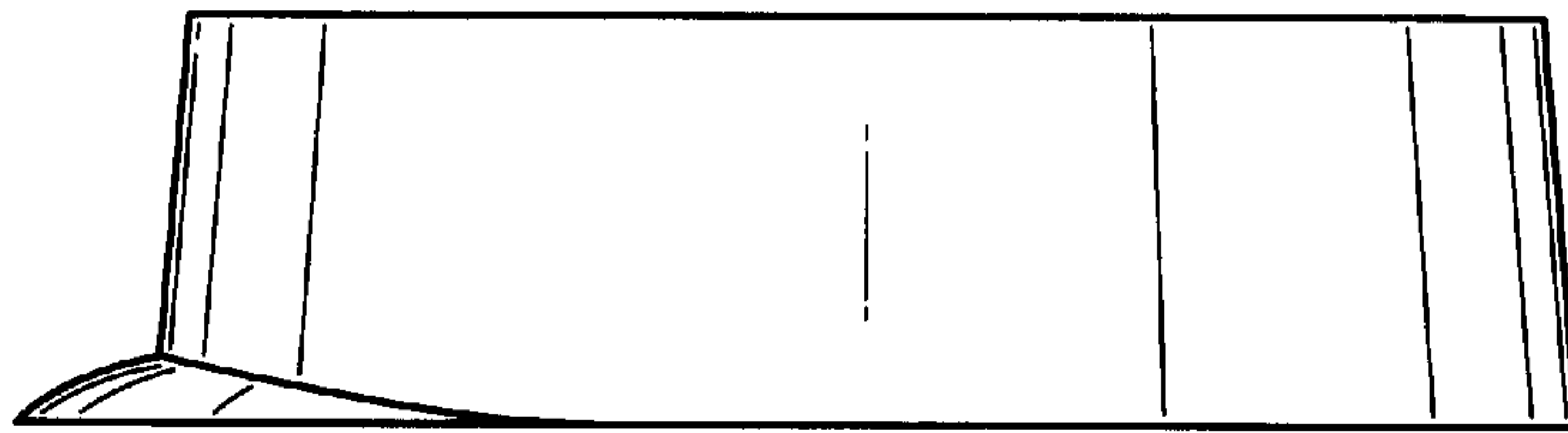


FIG. 4

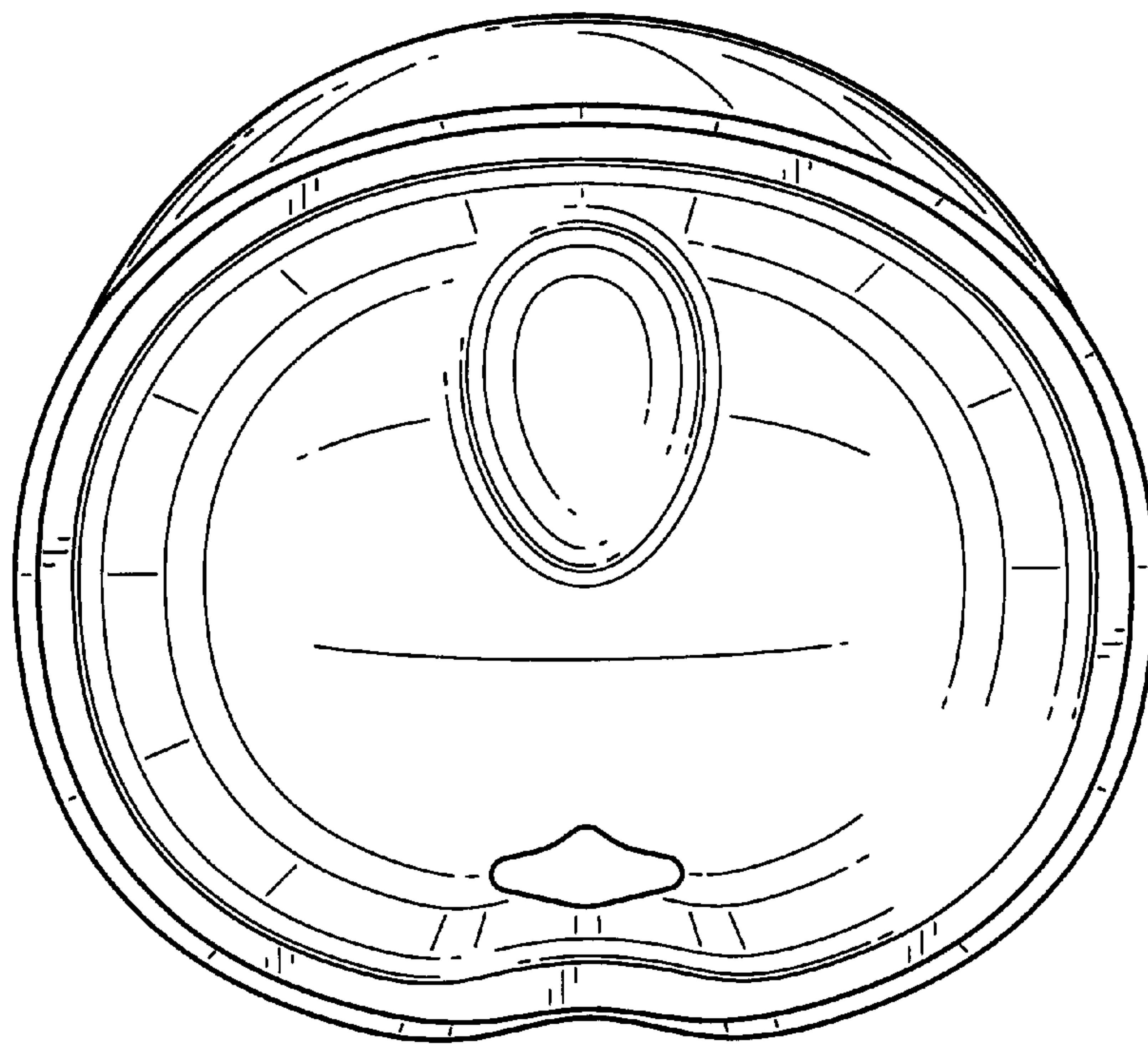


FIG. 5