



US00D446996B1

(12) **United States Design Patent**
Feil

(10) **Patent No.:** **US D446,996 S**

(45) **Date of Patent:** **** Aug. 28, 2001**

(54) **FOOD PROCESSOR**

(75) Inventor: **Rolf Feil**, Günzburg (DE)

(73) Assignee: **BSH Bosh und Siemens Hausgeraete GmbH**, Munich (DE)

(**) Term: **14 Years**

(21) Appl. No.: **29/127,134**

(22) Filed: **Jul. 31, 2000**

(30) **Foreign Application Priority Data**

Feb. 1, 2000 (DE) 4 00 01 124
Feb. 1, 2000 (DE) 4 00 01 135

(51) **LOC (7) Cl.** **31-00**

(52) **U.S. Cl.** **D7/386**

(58) **Field of Search** D7/376-386; 99/509-511;
241/33, 101.01, 278.2, 285.2; 366/197,
199, 241

(56) **References Cited**

U.S. PATENT DOCUMENTS

D. 345,079 * 3/1994 Johnson D7/384

D. 385,151 * 10/1997 Leverrier D7/386
D. 439,105 * 3/2001 Naft et al. D7/386

* cited by examiner

Primary Examiner—Caron D. Veynar

(74) *Attorney, Agent, or Firm*—Herbert L. Lerner;
Laurence A. Greenberg; Werner H. Stemer

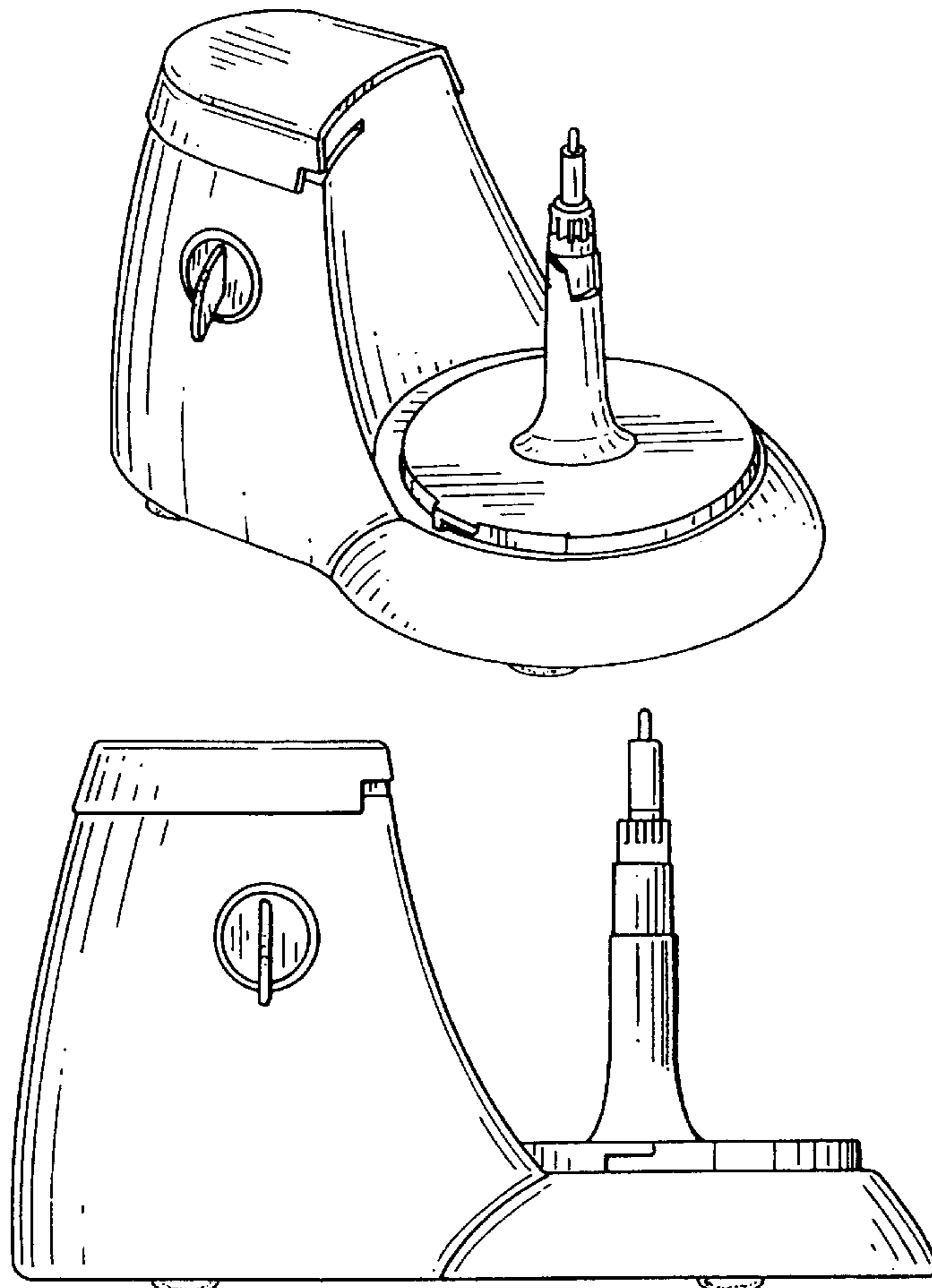
(57) **CLAIM**

The ornamental design for a food processor, as shown and described.

DESCRIPTION

FIG. 1 is a perspective view of the food processor;
FIG. 2 is a front view thereof;
FIG. 3 is a rear view thereof;
FIG. 4 is a right-side view thereof;
FIG. 5 is a left-side view thereof;
FIG. 6 is a top view thereof; and,
FIG. 7 is a bottom view thereof.

1 Claim, 3 Drawing Sheets



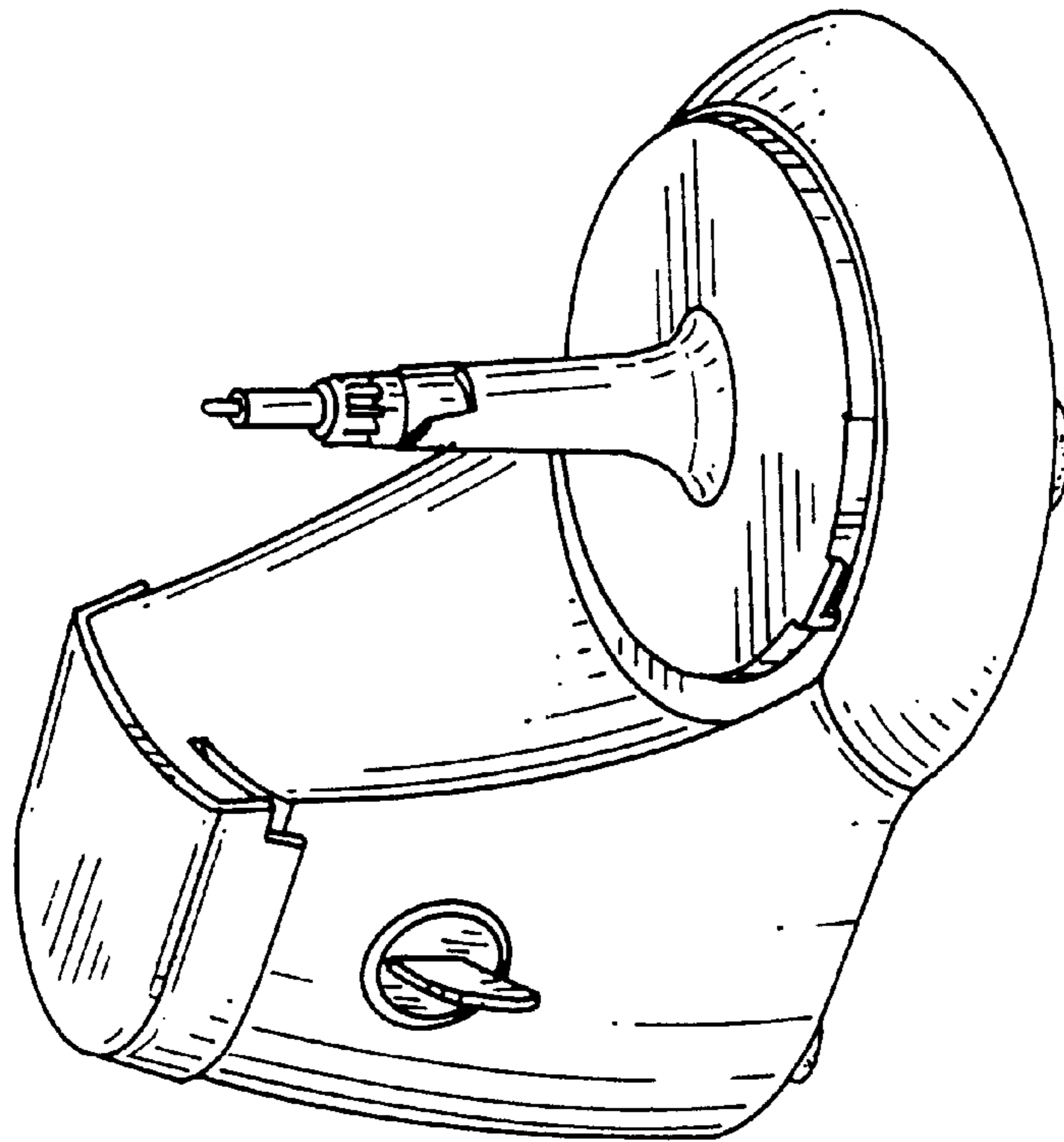


FIG. 1

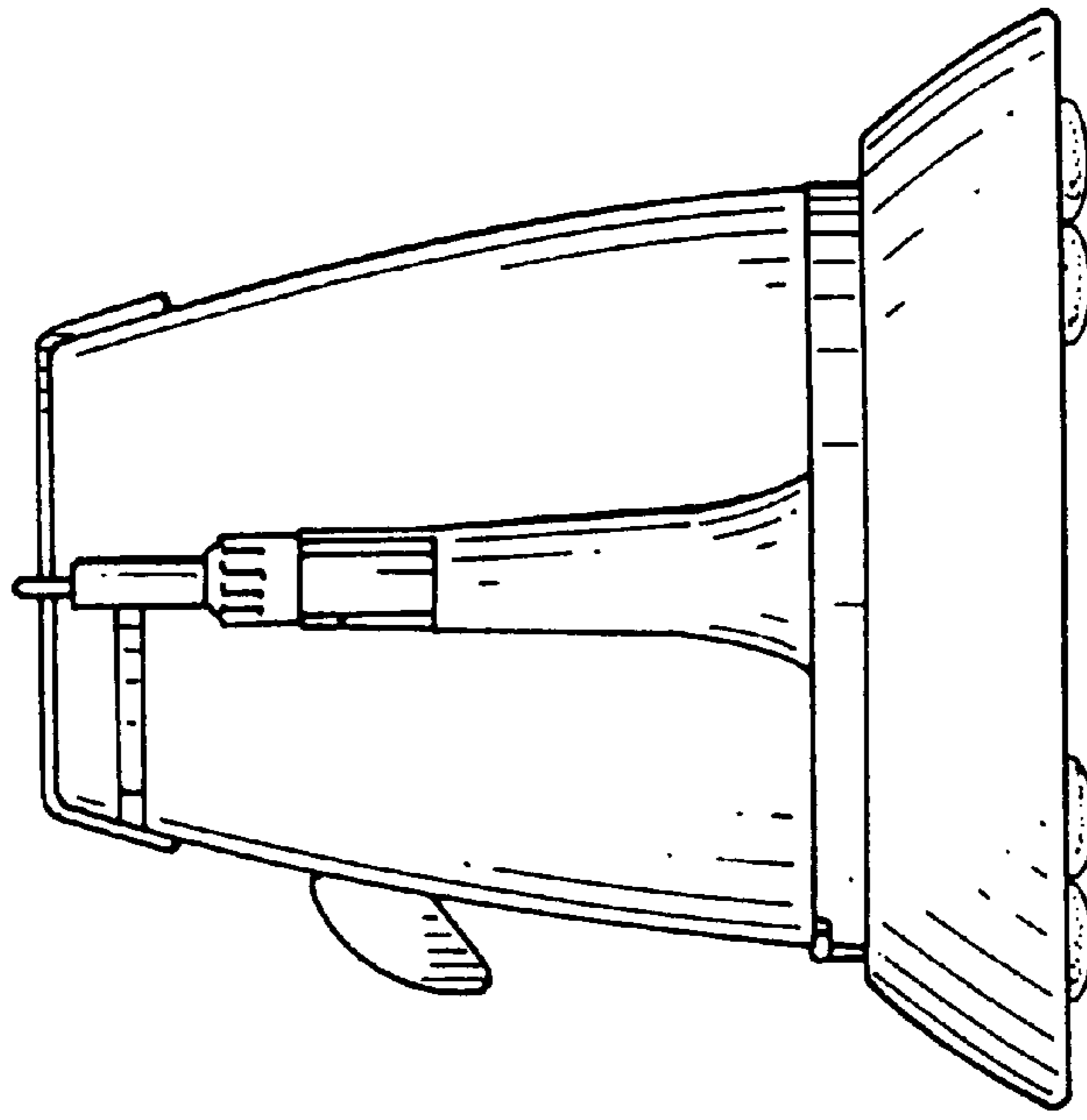


FIG. 4

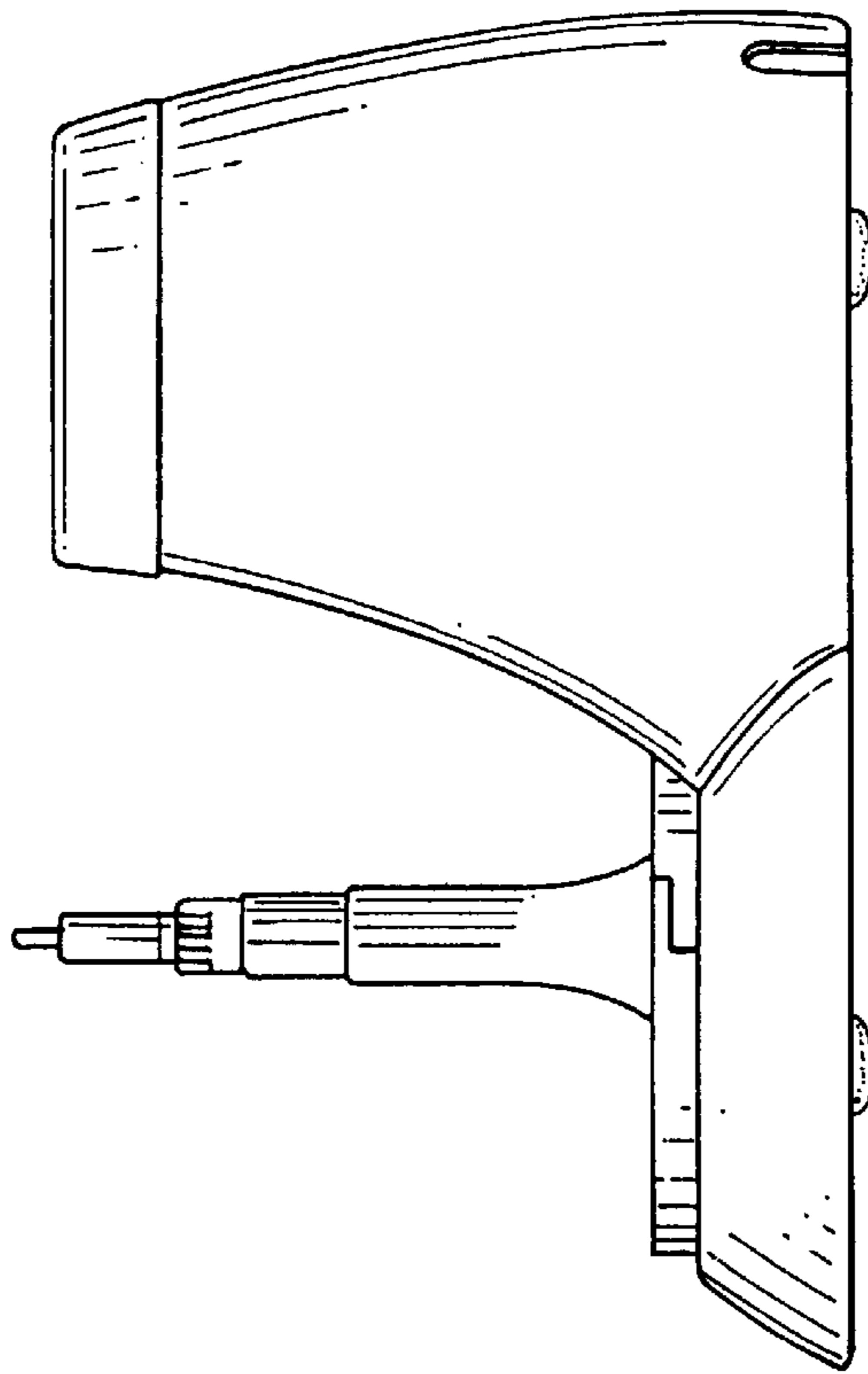


FIG. 3

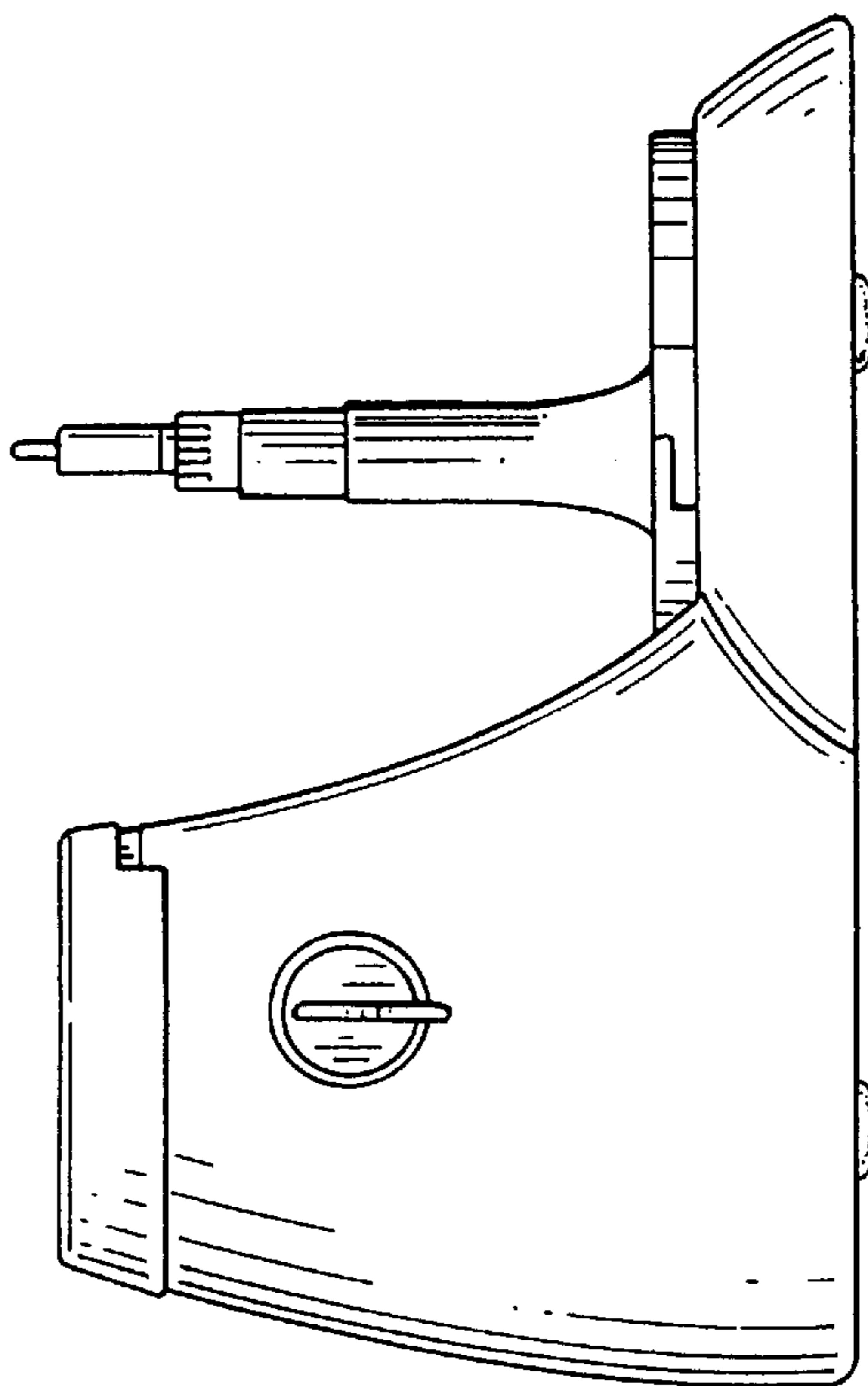


FIG. 2

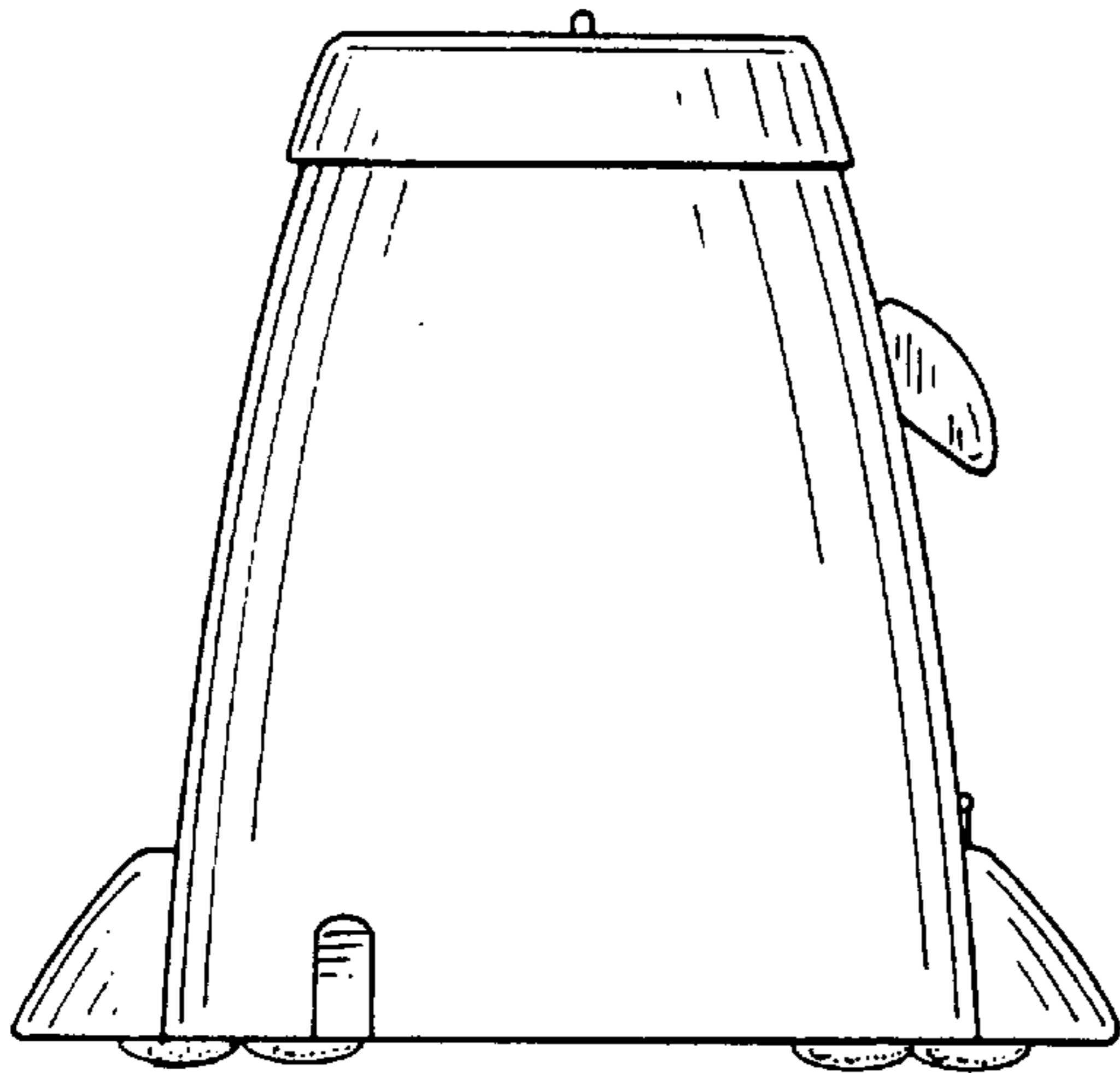


FIG. 5

FIG. 6

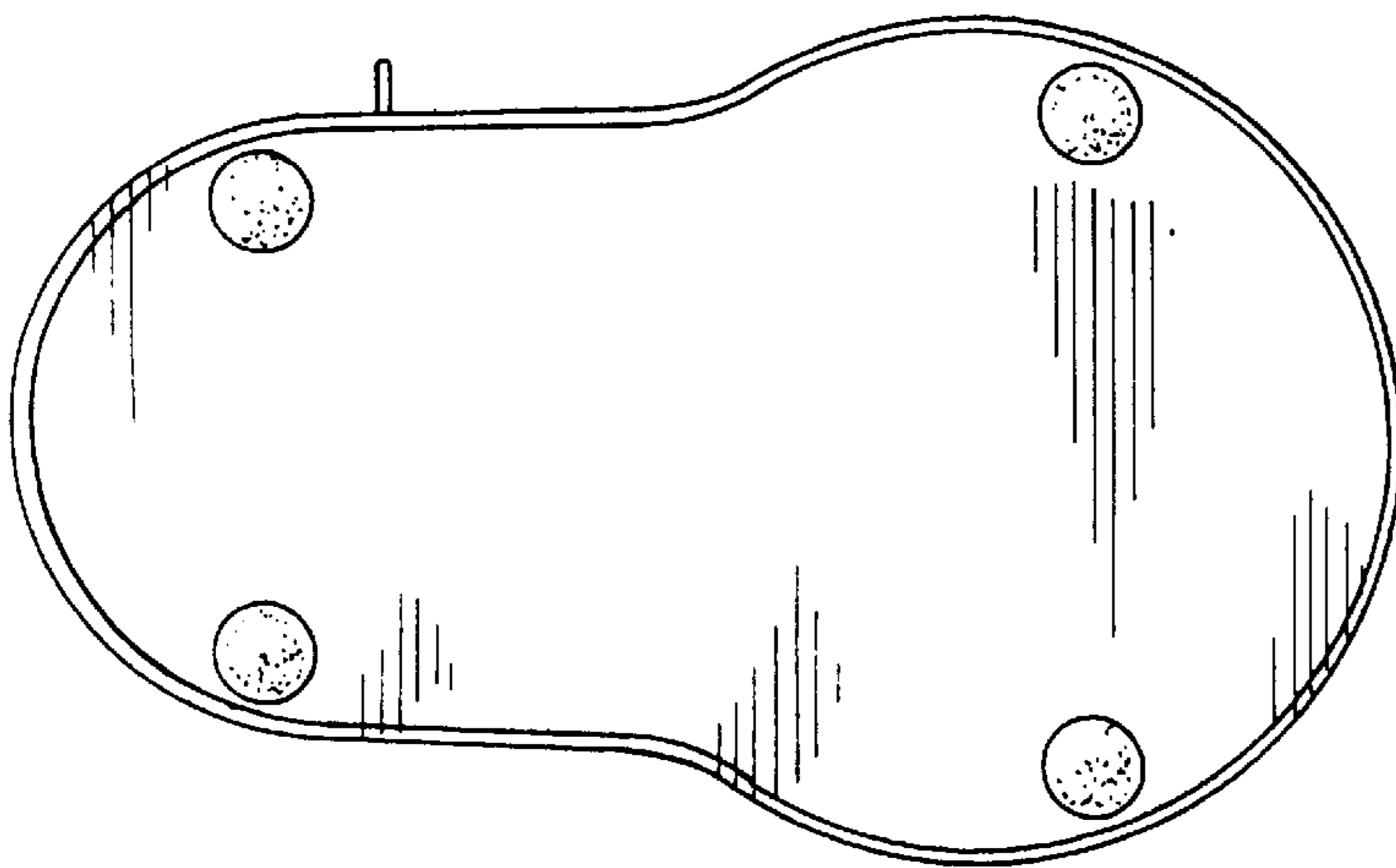
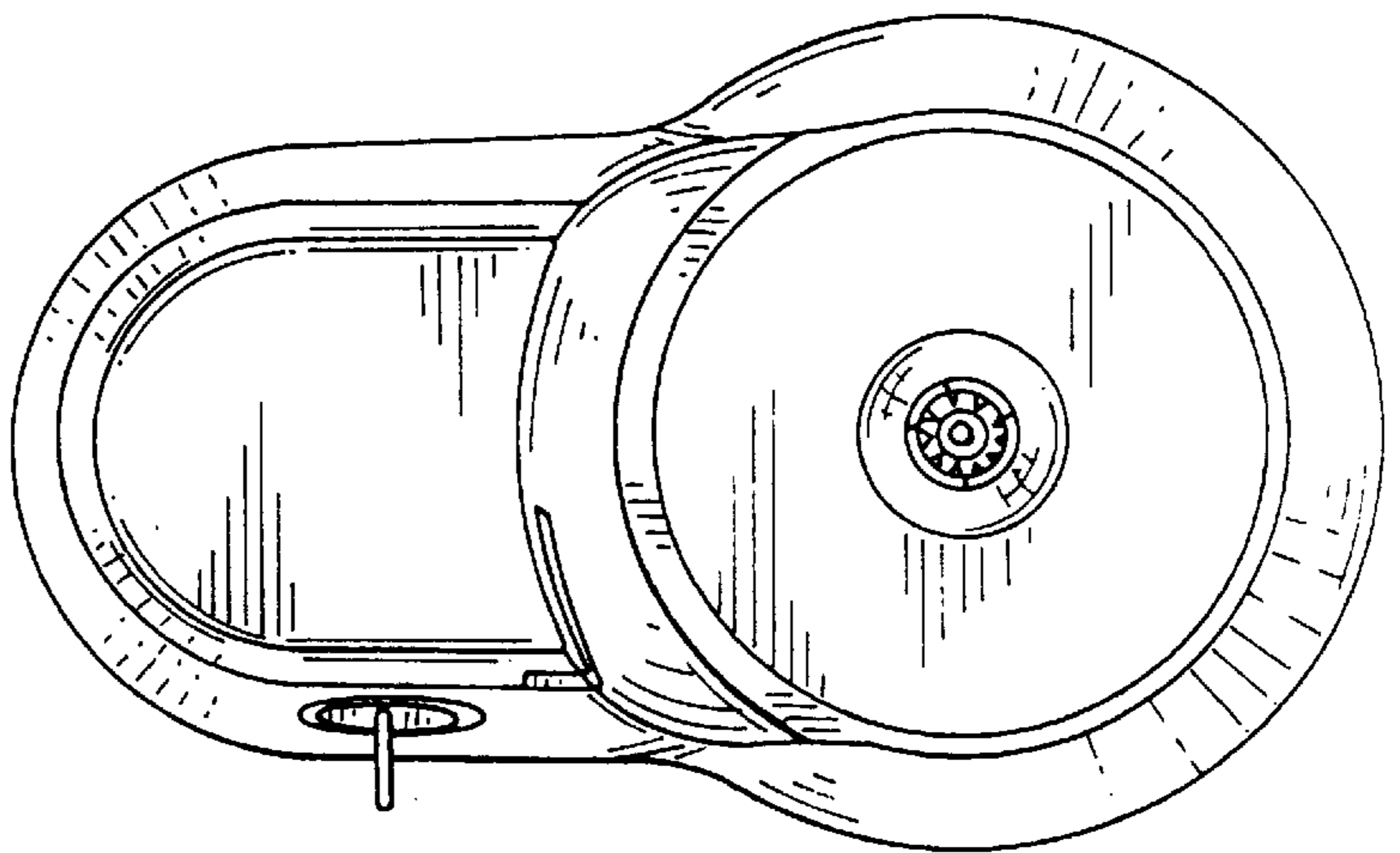


FIG. 7