



US00D446992B1

(12) **United States Design Patent**  
**Cheah et al.**

(10) **Patent No.:** **US D446,992 S**

(45) **Date of Patent:** **\*\* Aug. 28, 2001**

(54) **ELECTRIC FOOD MAKING APPLIANCE**

6,167,800 \* 1/2001 Su ..... 99/421 H

(75) Inventors: **Aik Pin Cheah**, Wheelers Hill; **Peter Jones**, Elwood, both of (AU)

\* cited by examiner

(73) Assignee: **Mistral International Pty Ltd.**,  
Dandenong (AU)

*Primary Examiner*—Caron D. Veynar

(74) *Attorney, Agent, or Firm*—Townsend and Townsend  
and Crew LLP

(\*\*) Term: **14 Years**

(57) **CLAIM**

(21) Appl. No.: **29/131,321**

The ornamental design for an electric food making appliance, substantially as shown and described.

(22) Filed: **Oct. 18, 2000**

(30) **Foreign Application Priority Data**

**DESCRIPTION**

Apr. 19, 2000 (AU) ..... 1232/00

FIG. 1 is a front perspective view of the electric food making appliance showing our new design;

(51) **LOC (7) Cl.** ..... **07-02**

FIG. 2 is a rear perspective view;

(52) **U.S. Cl.** ..... **D7/352**

FIG. 3 is a front perspective view in an open condition;

(58) **Field of Search** ..... D7/323, 328, 337,  
D7/352, 362, 363, 367; 99/324, 325, 339,  
340, 349, 372, 378, 421.4

FIG. 4 is a front elevation view;

FIG. 5 is a top plan view; and,

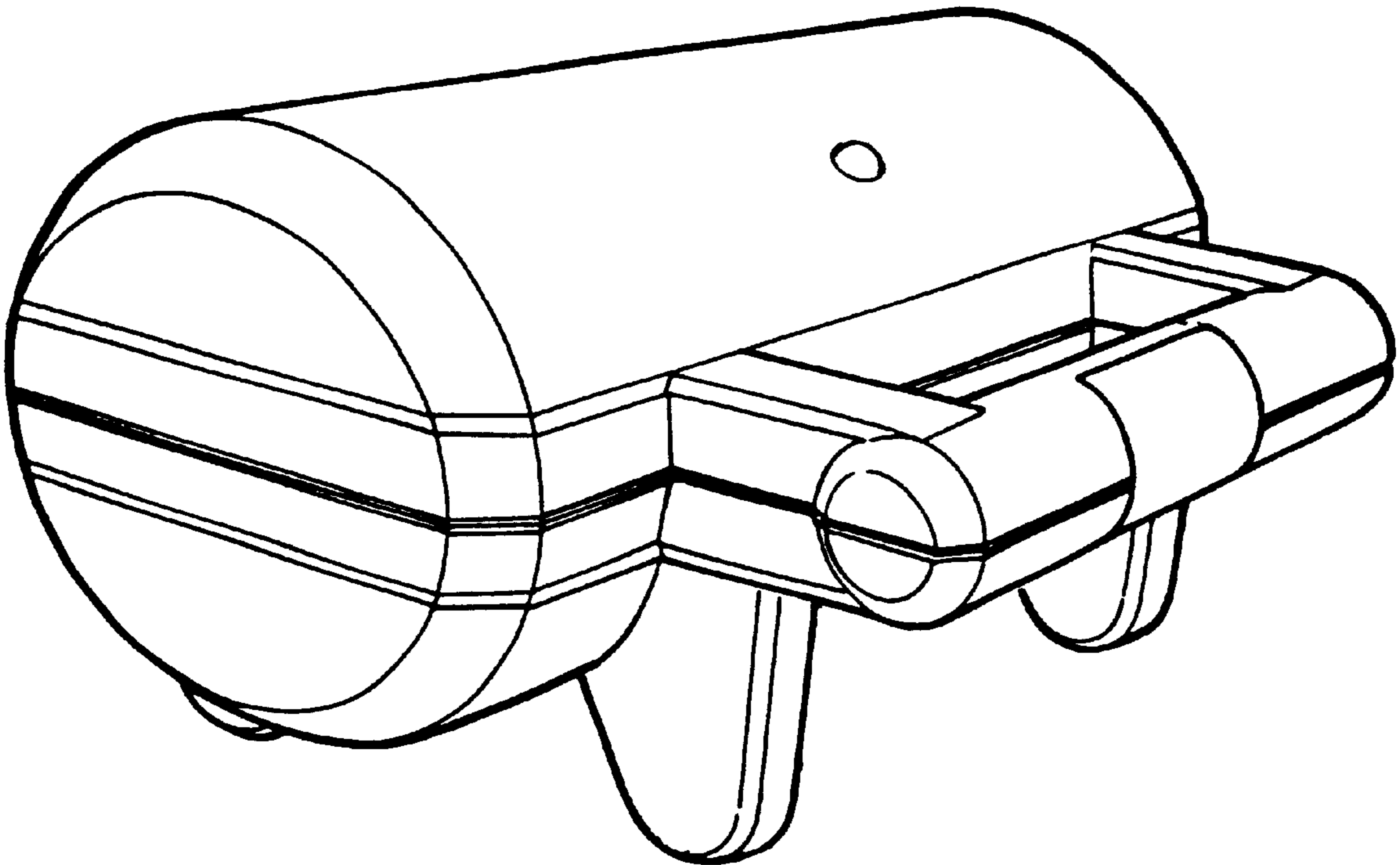
FIG. 6 is an end elevation view, the opposite end view is identical.

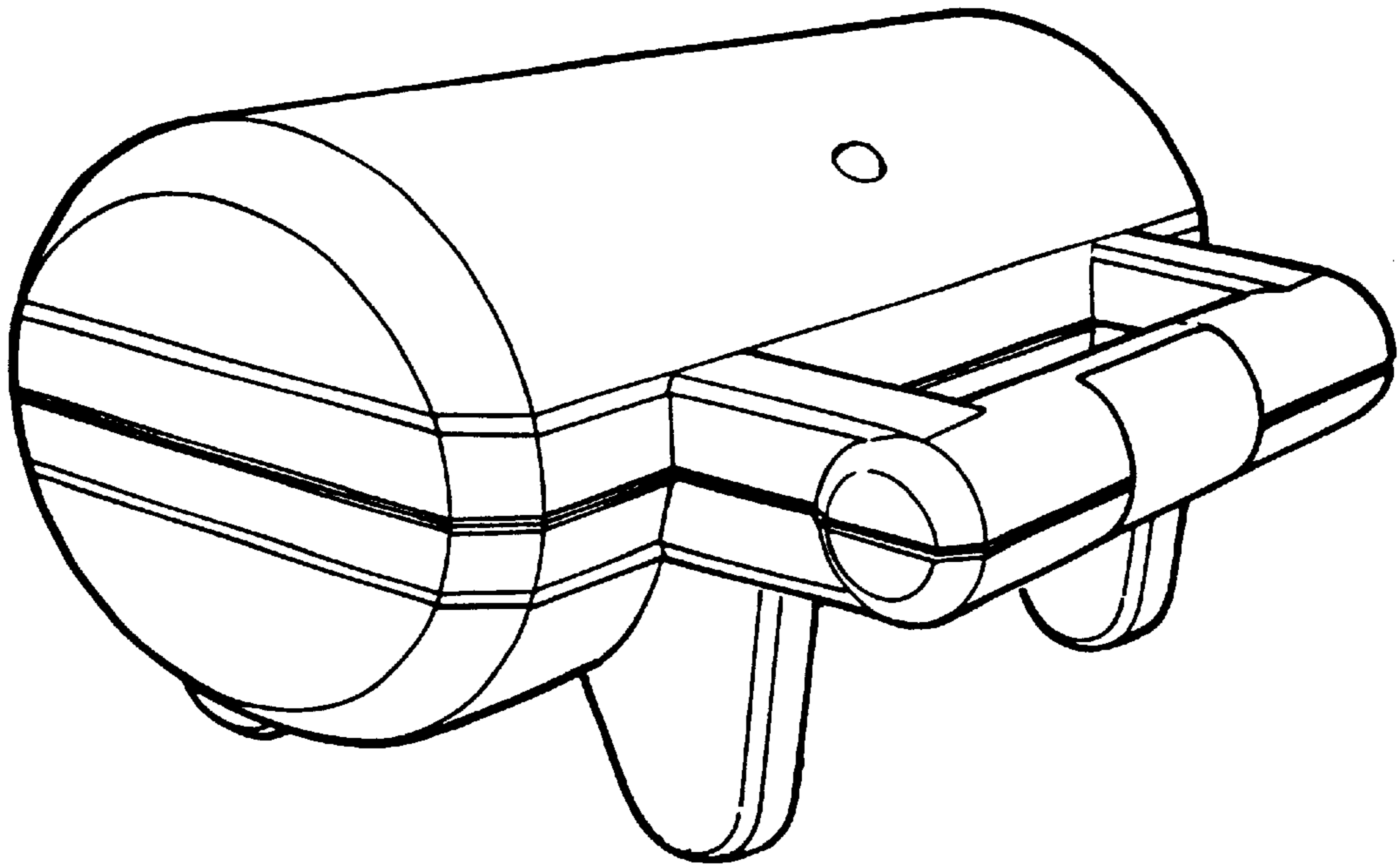
(56) **References Cited**

**U.S. PATENT DOCUMENTS**

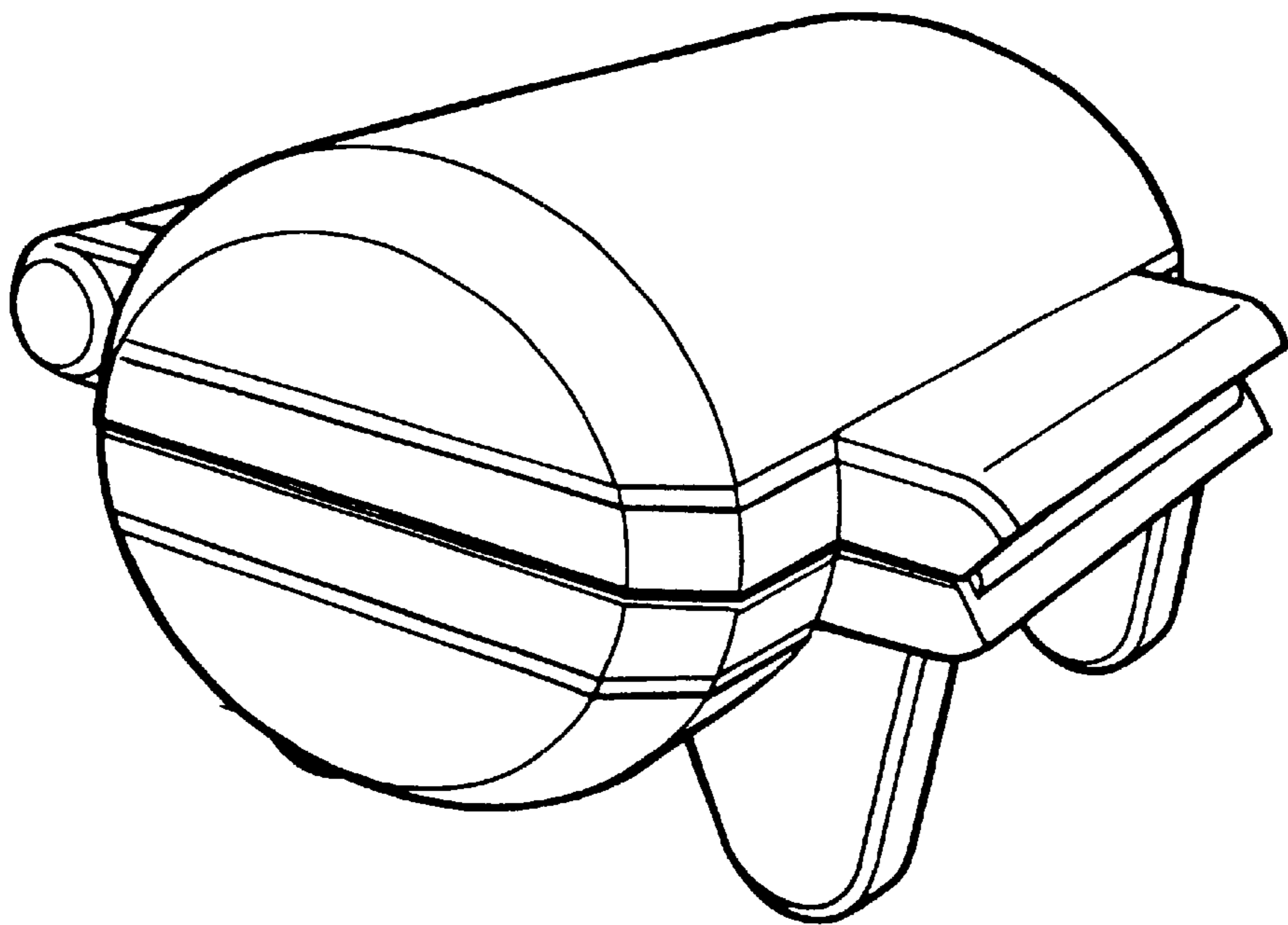
D. 423,280 \* 4/2000 Lin ..... D7/363

**1 Claim, 3 Drawing Sheets**

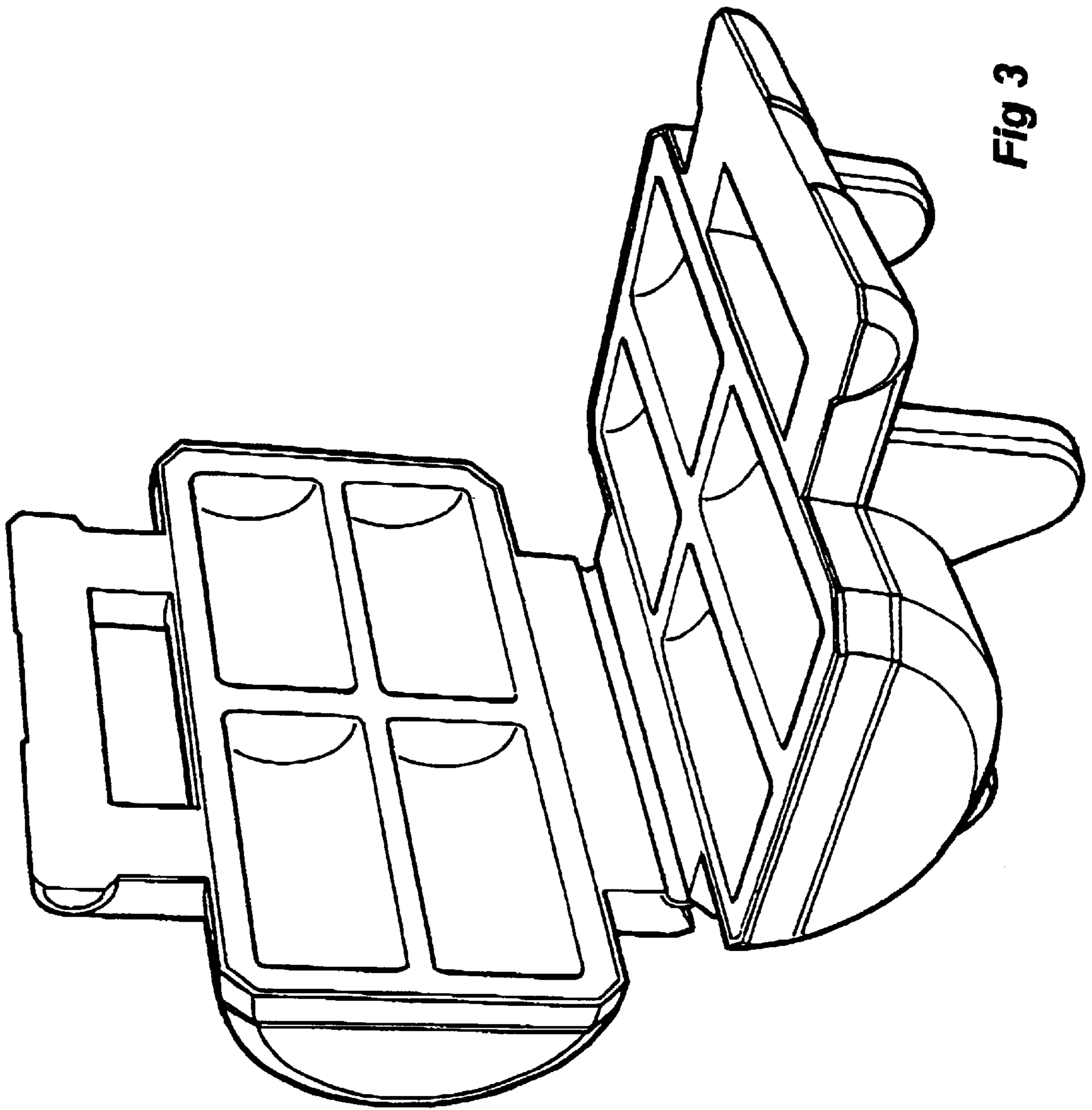




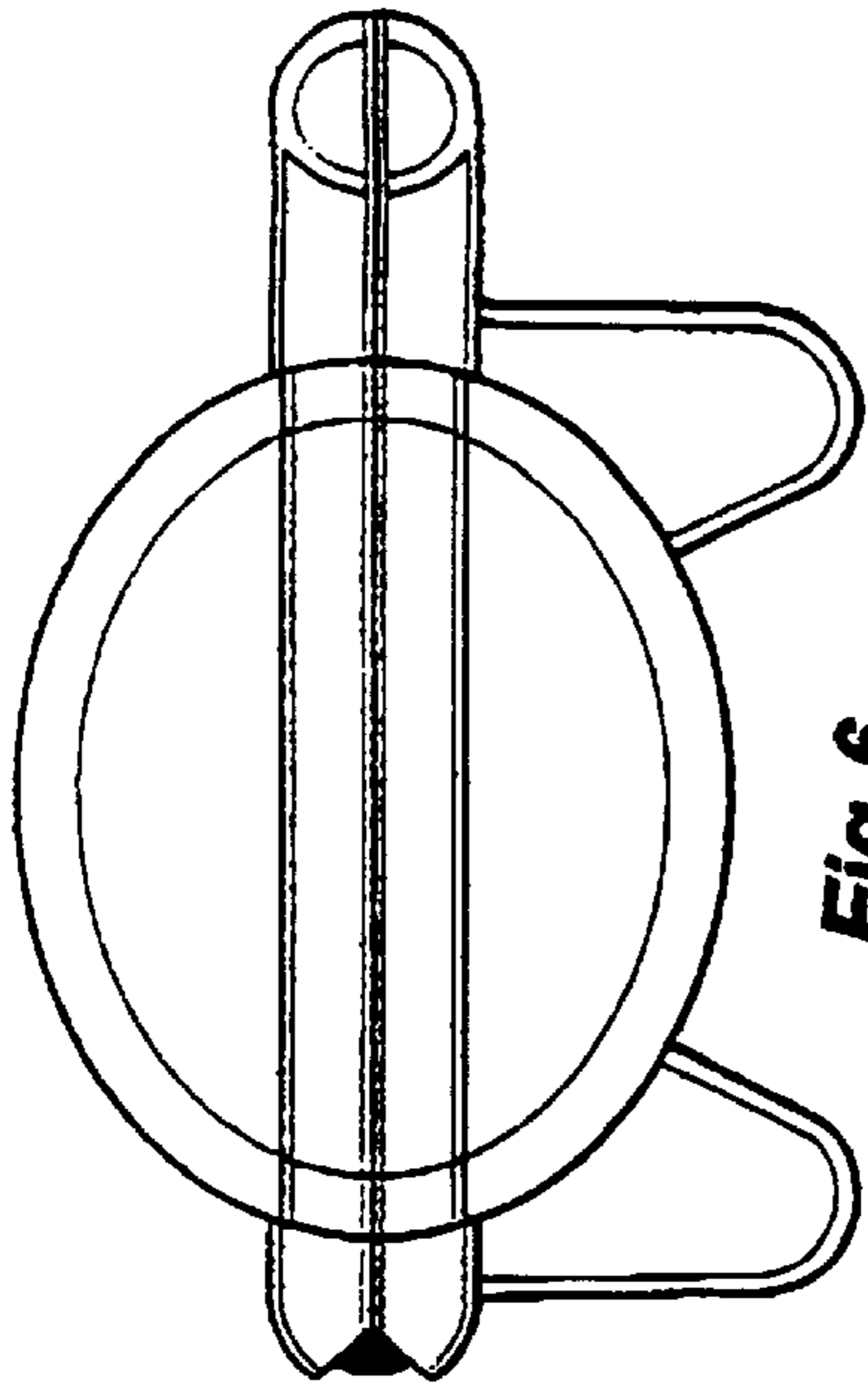
**Fig 1**



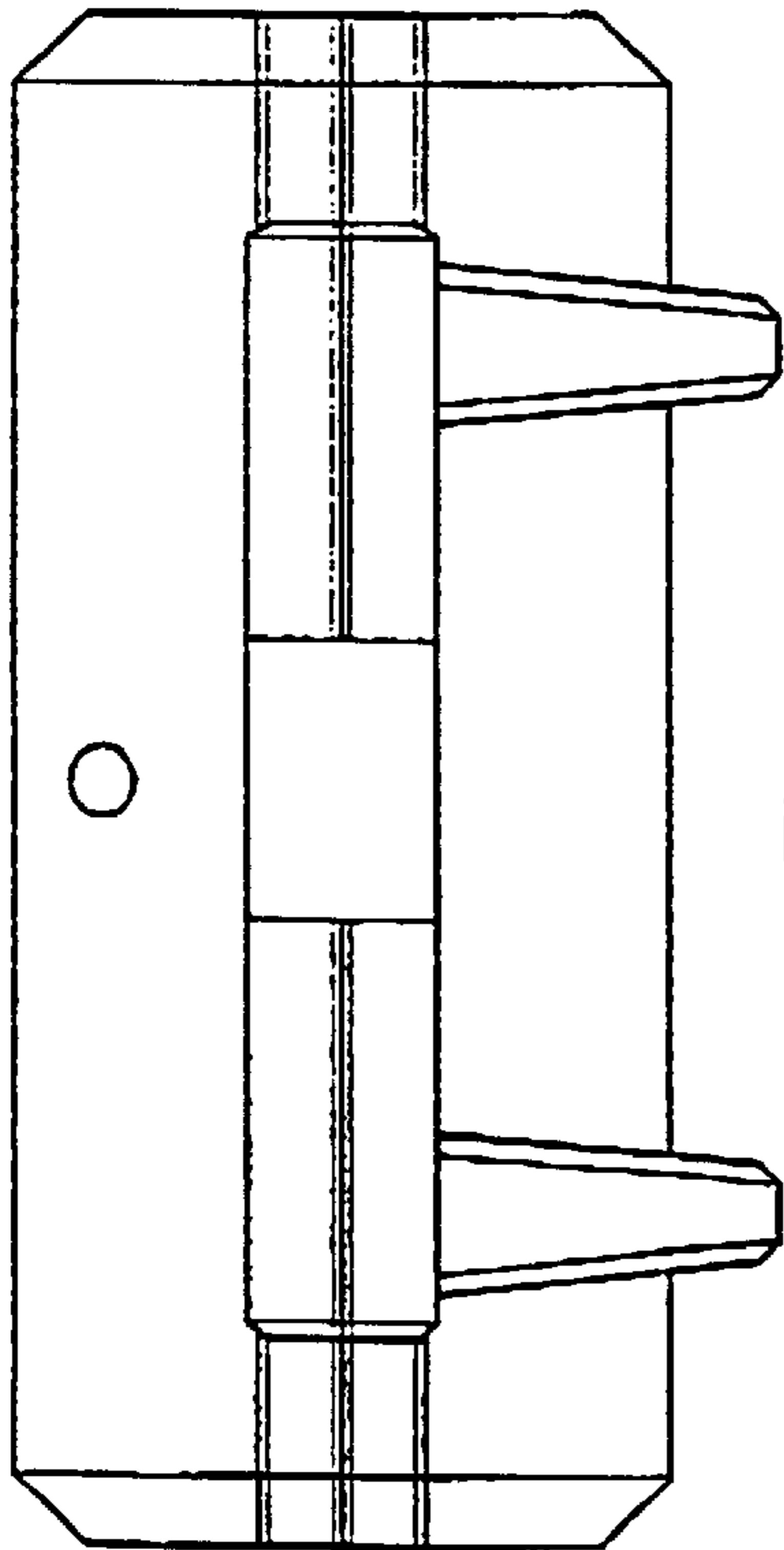
**Fig 2**



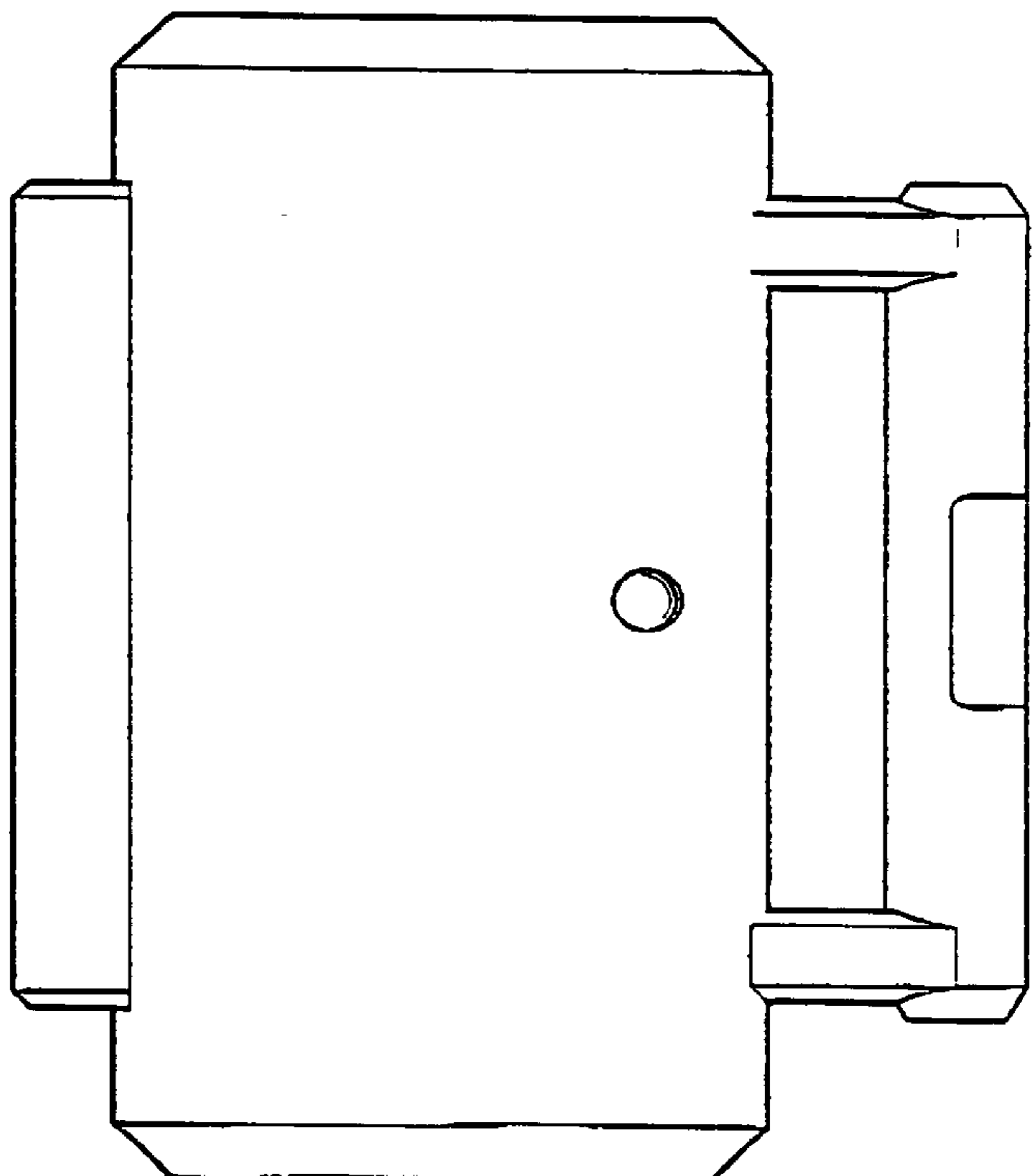
**Fig 3**



**Fig 6**



**Fig 4**



**Fig 5**