



US00D446991B1

(12) **United States Design Patent**  
**Taniguchi et al.**

(10) **Patent No.:** **US D446,991 S**

(45) **Date of Patent:** **\*\* Aug. 28, 2001**

(54) **PORTABLE GAS BURNER**

(75) Inventors: **Hitoshi Taniguchi; Hiroaki Hasegawa,**  
both of Tokyo (JP)

(73) Assignee: **Iwatani Sangyo Kabushiki Kaisha**  
(JP)

(\*\*) Term: **14 Years**

(21) Appl. No.: **29/108,237**

(22) Filed: **Jul. 26, 1999**

**Related U.S. Application Data**

(63) Continuation of application No. 09/169,147, filed on Oct. 9,  
1998, now abandoned.

(30) **Foreign Application Priority Data**

Oct. 14, 1997 (JP) ..... P.9-280095

(51) **LOC (7) Cl.** ..... **07-02**

(52) **U.S. Cl.** ..... **D7/337**

(58) **Field of Search** ..... D7/402, 332-337;  
126/40, 50, 39 R, 39 B, 38, 252, 9 R; 431/344,  
343

(56) **References Cited**

**U.S. PATENT DOCUMENTS**

D. 371,716 \* 7/1996 Jo ..... D7/337  
D. 416,750 \* 11/1999 Persson ..... D7/337

D. 424,364 \* 5/2000 Persson ..... D7/337  
3,809,054 \* 5/1974 Bowman et al. .... 126/38  
4,177,790 \* 12/1979 Zenzaburo ..... 126/38  
5,513,624 \* 5/1996 Vorhis ..... 126/38  
5,803,727 \* 9/1998 Long ..... 431/247  
5,954,044 \* 9/1999 Schmidt et al. .... 126/38

\* cited by examiner

*Primary Examiner*—Ruth McInroy

(74) *Attorney, Agent, or Firm*—Bacon & Thomas PLLC

(57) **CLAIM**

The ornamental design for a portable gas burner, as shown  
and described.

**DESCRIPTION**

FIG. 1 is a front elevation view of a portable gas burner  
showing a first embodiment of our design having three  
support feet;

FIG. 2 is a top, front and left side perspective front view of  
a second embodiment of our design having two support feet;  
and,

FIG. 3 is a top, front and left side perspective view of the  
embodiment of FIG. 2 shown in a collapsed condition.

The broken line represents a gas cylinder for illustrative  
purposes and forms no part of the claimed design.

Portions of the top and missing views of the sides of the  
article not shown in the drawings or described in the  
specification form no part of the claimed design.

**1 Claim, 2 Drawing Sheets**

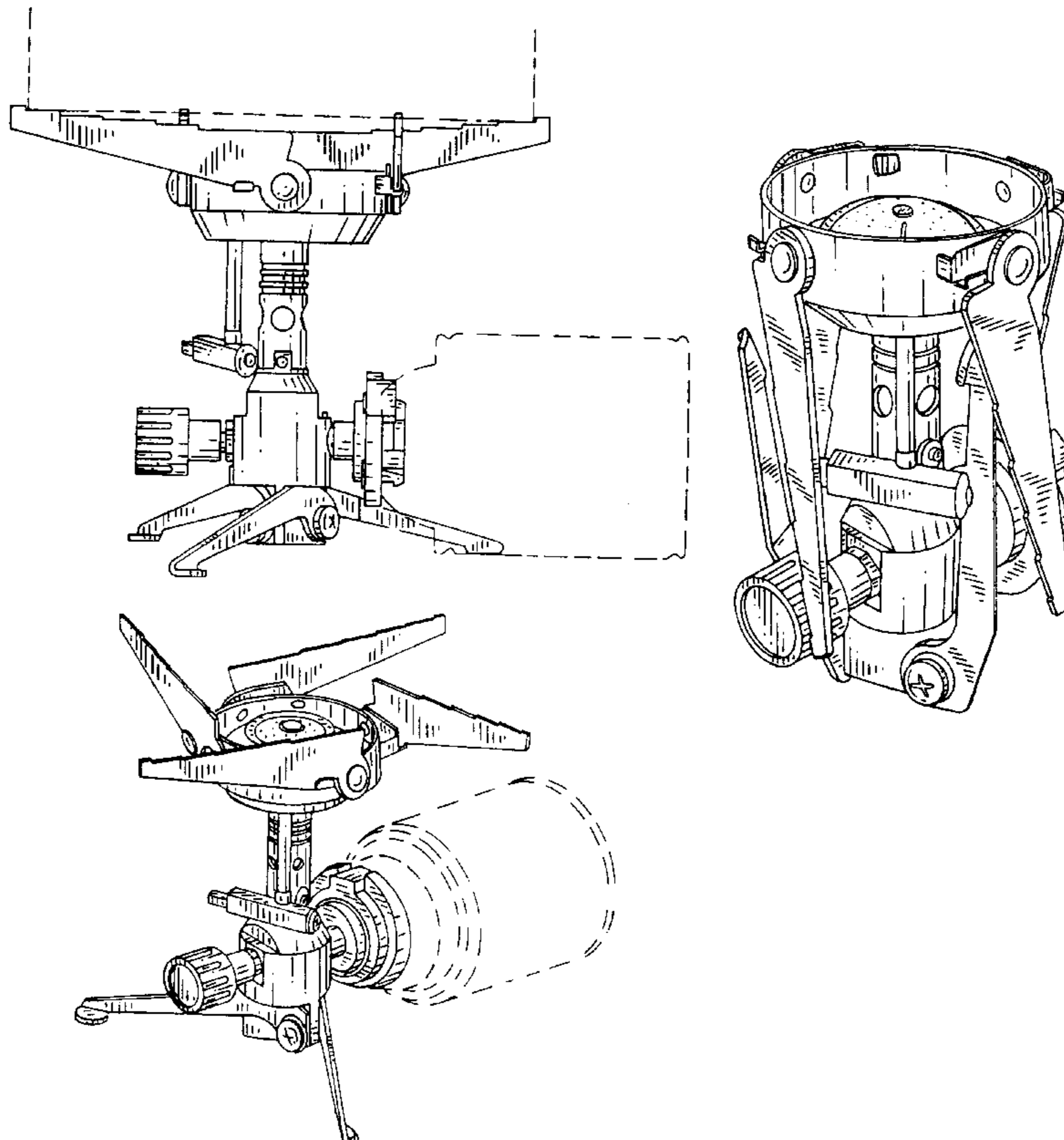


FIG. 1

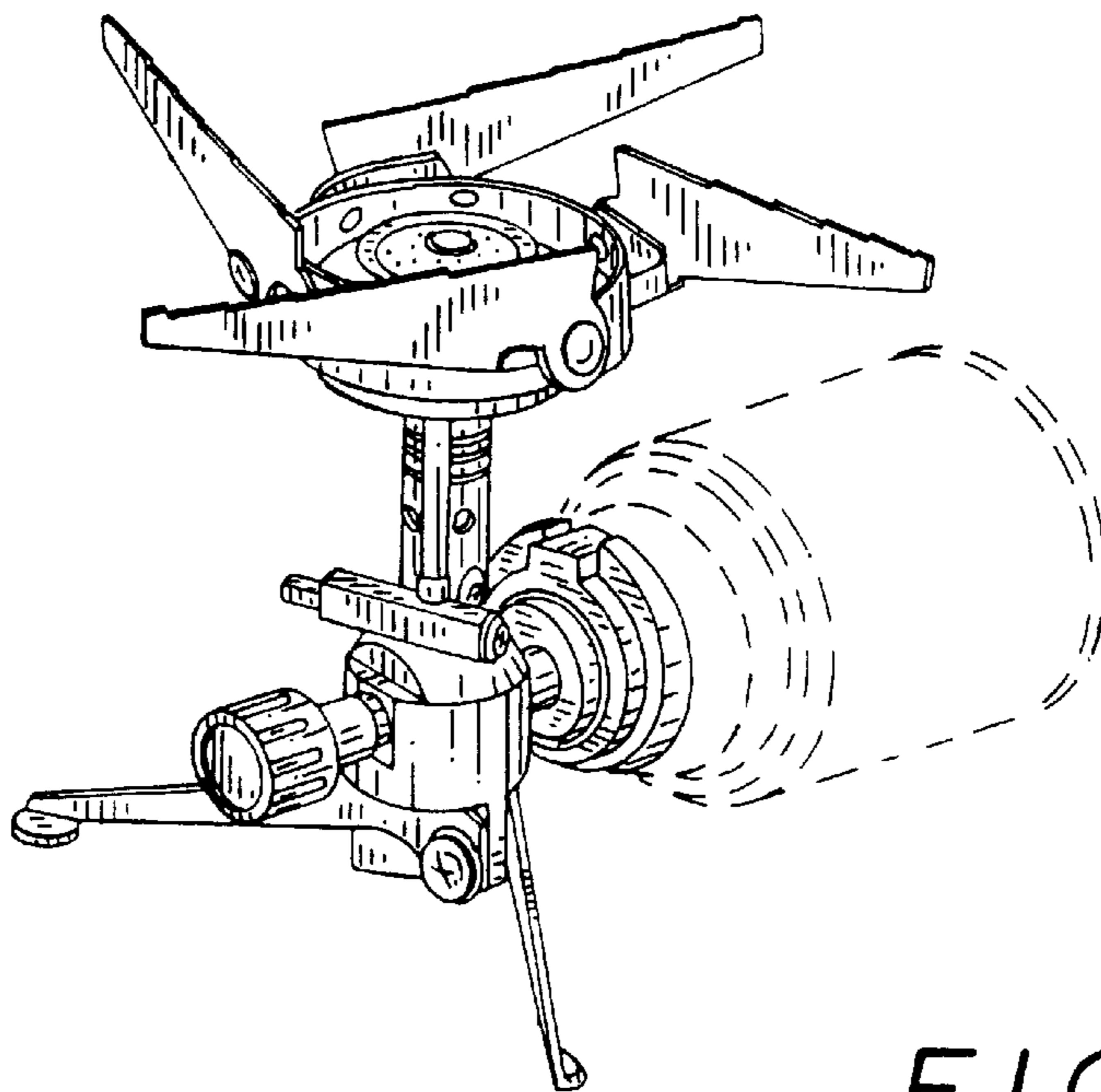
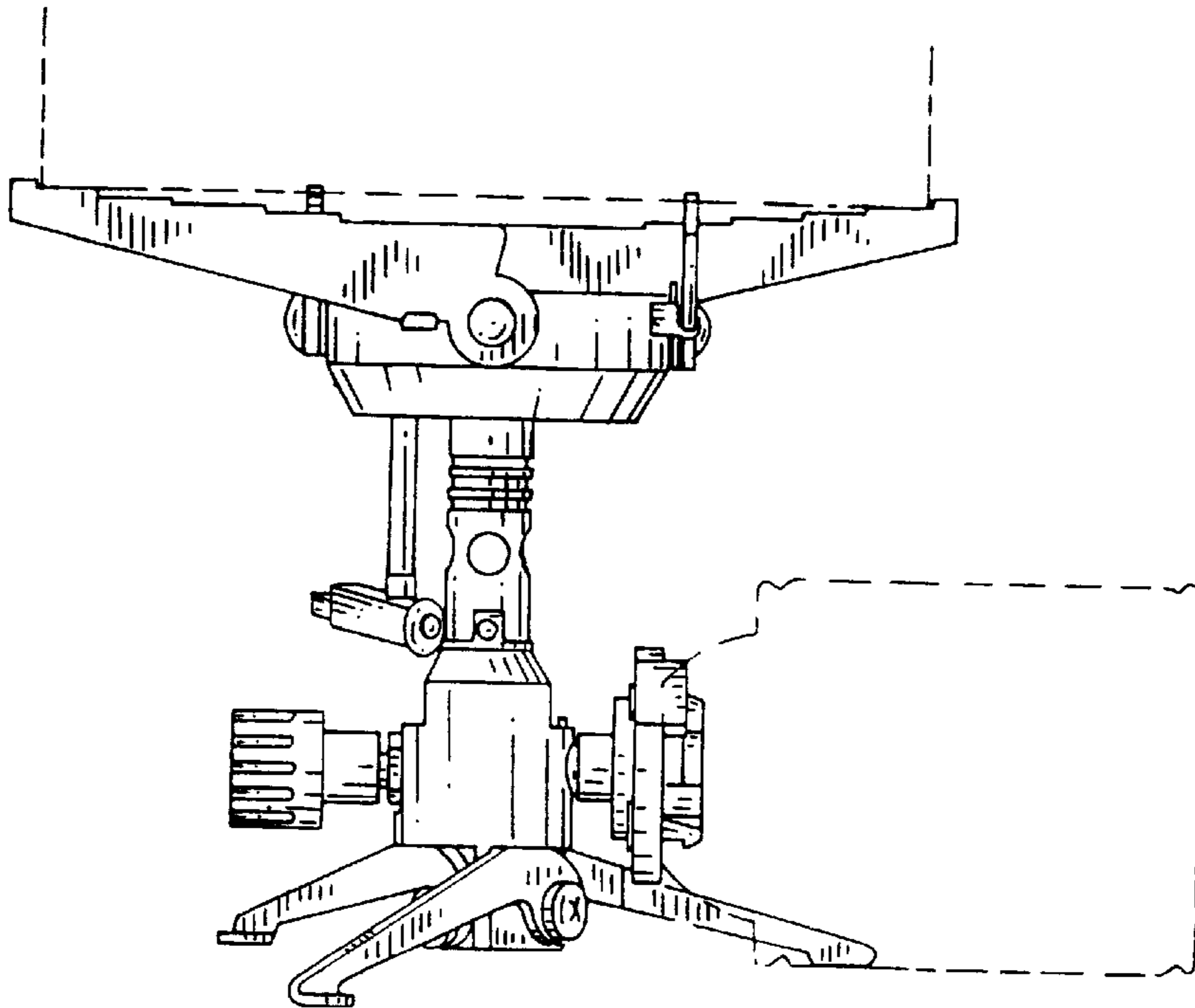


FIG. 2

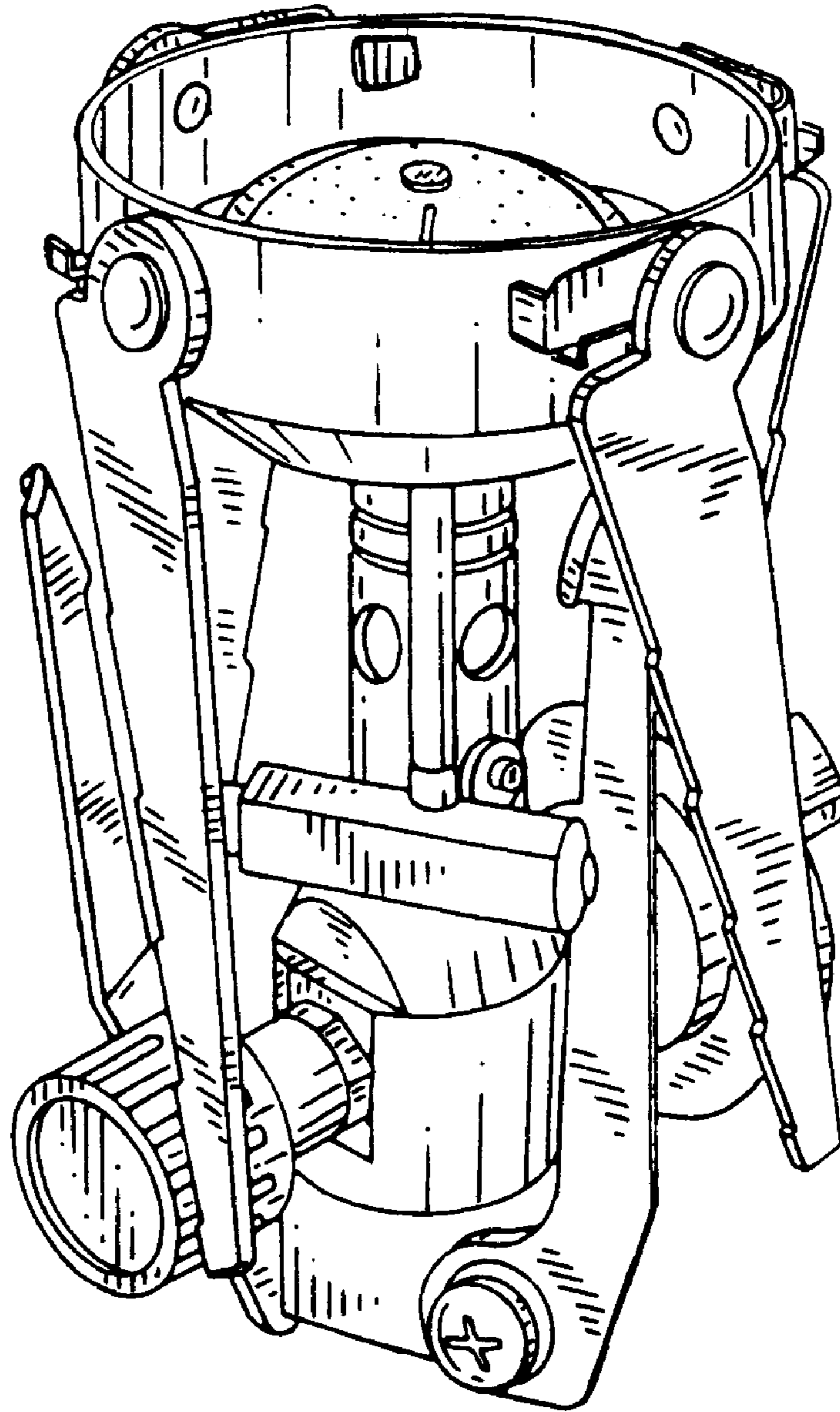


FIG. 3