



US00D446989B1

(12) **United States Design Patent**
Cruz

(10) **Patent No.:** **US D446,989 S**

(45) **Date of Patent:** **** Aug. 28, 2001**

(54) **COFFEE MAKER**

(75) Inventor: **Anthony V. Cruz**, Richmond, VA (US)

(73) Assignee: **Hamilton Beach/Proctor-Silex, Inc.**,
Glen Allen, VA (US)

(**) Term: **14 Years**

(21) Appl. No.: **29/135,817**

(22) Filed: **Jan. 18, 2001**

Related U.S. Application Data

(62) Division of application No. 29/093,878, filed on Sep. 21, 1998, now Pat. No. Des. 439,103.

(51) **LOC (7) Cl.** **07-01**

(52) **U.S. Cl.** **D7/309; D7/310; D7/311**

(58) **Field of Search** **D7/300, 309, 310, D7/311, 305, 306, 397; 99/295, 306, 305**

(56) **References Cited**

U.S. PATENT DOCUMENTS

- D. 300,596 * 4/1989 Eugster D7/309
- D. 317,546 * 6/1991 Rakocy et al. D7/309
- D. 346,298 * 4/1994 Brady et al. D7/309
- D. 371,270 * 7/1996 Bell et al. D7/309
- D. 407,261 * 3/1999 Lucas et al. D7/309
- 5,133,247 * 7/1992 Pastrick 99/295

* cited by examiner

Primary Examiner—M. N. Pandozzi

(74) *Attorney, Agent, or Firm*—Roger S. Dybvig

(57) **CLAIM**

The ornamental design for a coffee maker, as shown and described.

DESCRIPTION

FIG. 1 is a perspective view as seen from the top, front, and right side of a coffee maker showing my new design;

FIG. 2 is a rear elevational view thereof;

FIG. 3 is a right side elevational view thereof;

FIG. 4 is a front elevational view thereof;

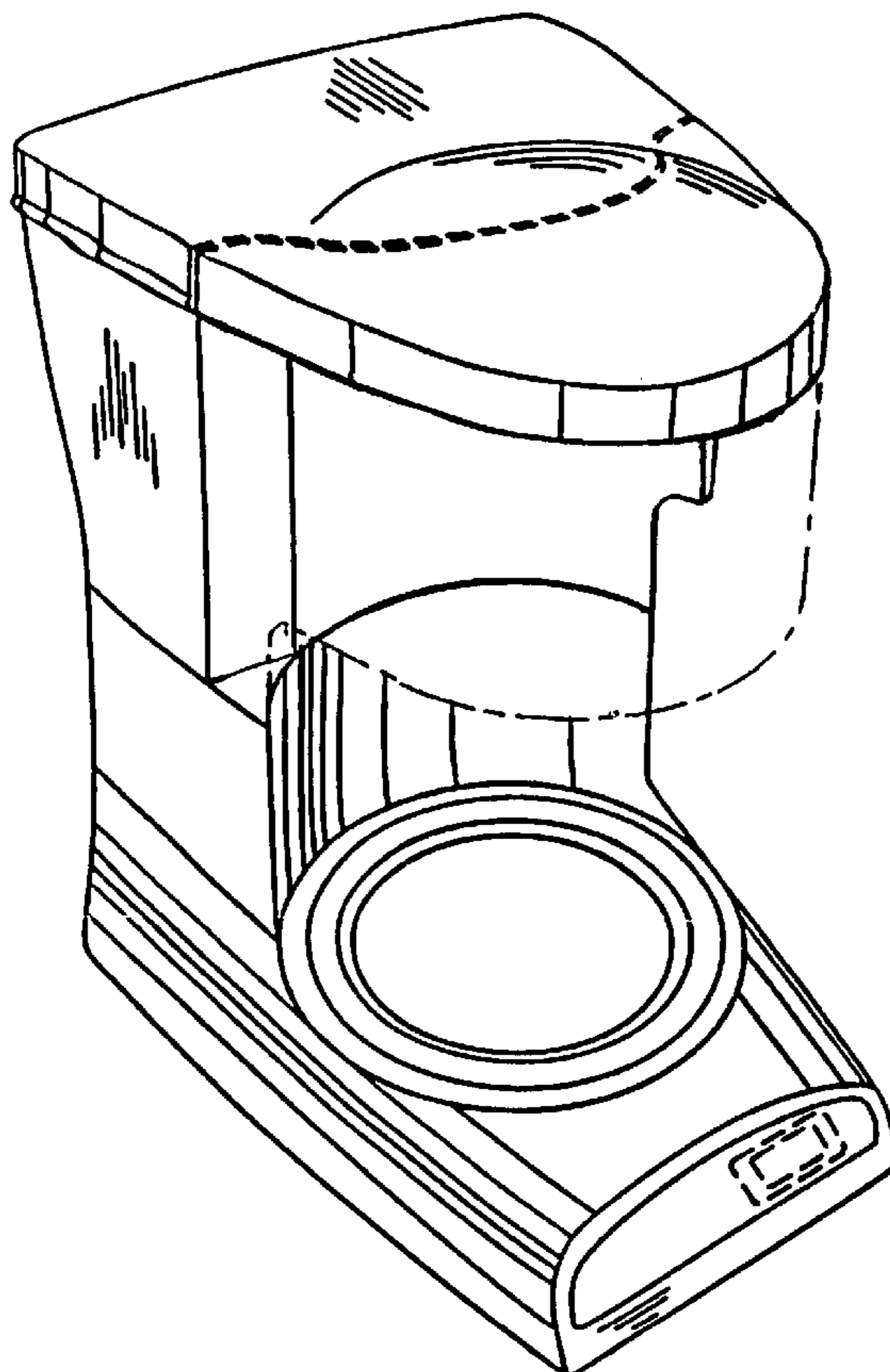
FIG. 5 is a left side elevational view thereof;

FIG. 6 is a bottom plan view thereof; and,

FIG. 7 is a top plan view thereof.

The broken lines in FIGS. 1, 3, 5, and 7 showing the seam which separates the pivotal water reservoir cover from the housing cover; the broken lines in FIG. 2 showing the cord storage opening; the broken lines in FIGS. 1, 3, 4, 5 and 7 showing the power switch and the pause/serve mechanism; the broken lines in FIGS. 2, 3, 4, 5 and 6 showing the feet; and the broken lines in FIGS. 1, 3, 4 and 5 showing the pivotal support for a brew basket are used for illustrative purposes only and form no part of the claimed design.

1 Claim, 2 Drawing Sheets



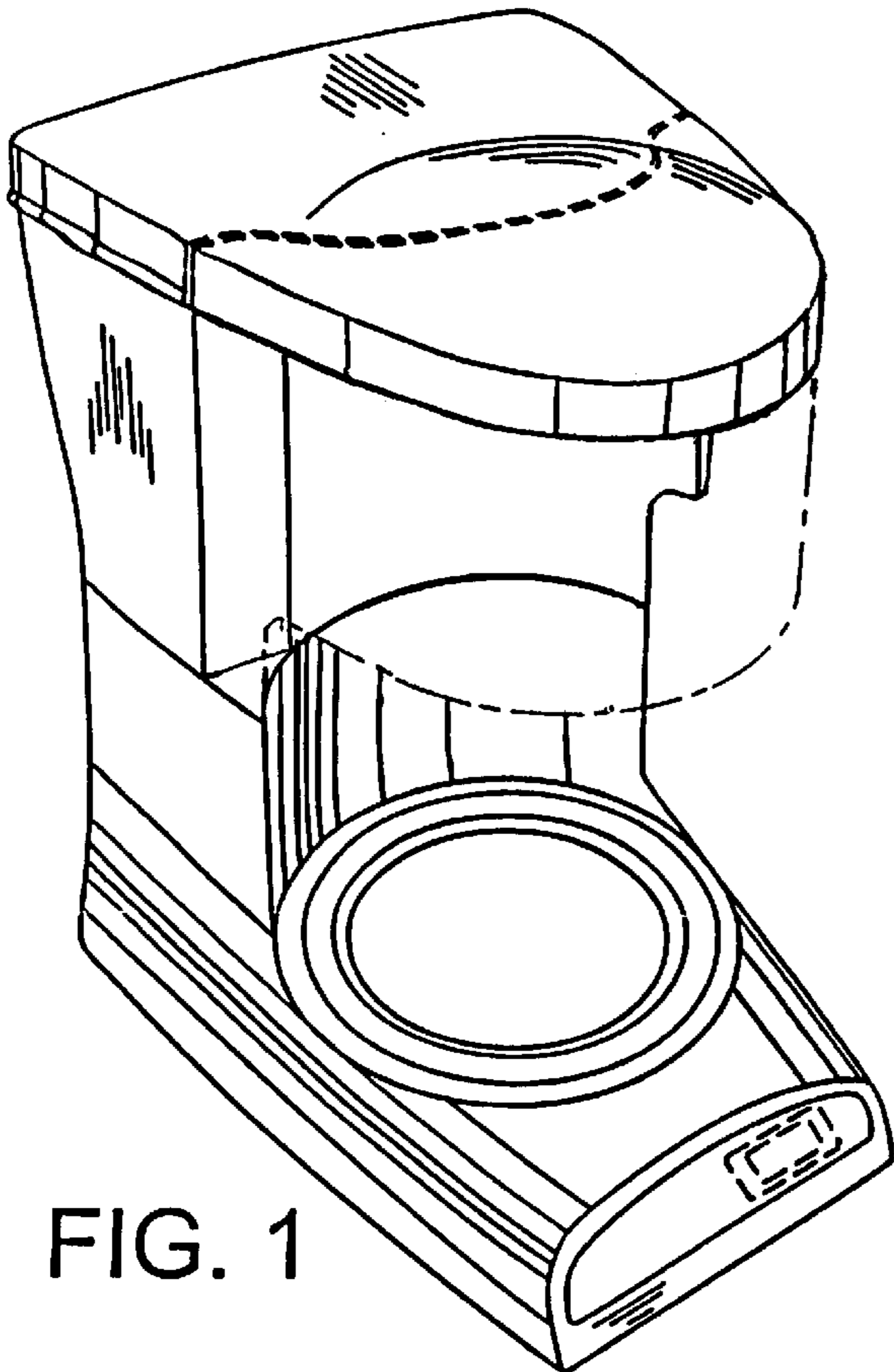


FIG. 1

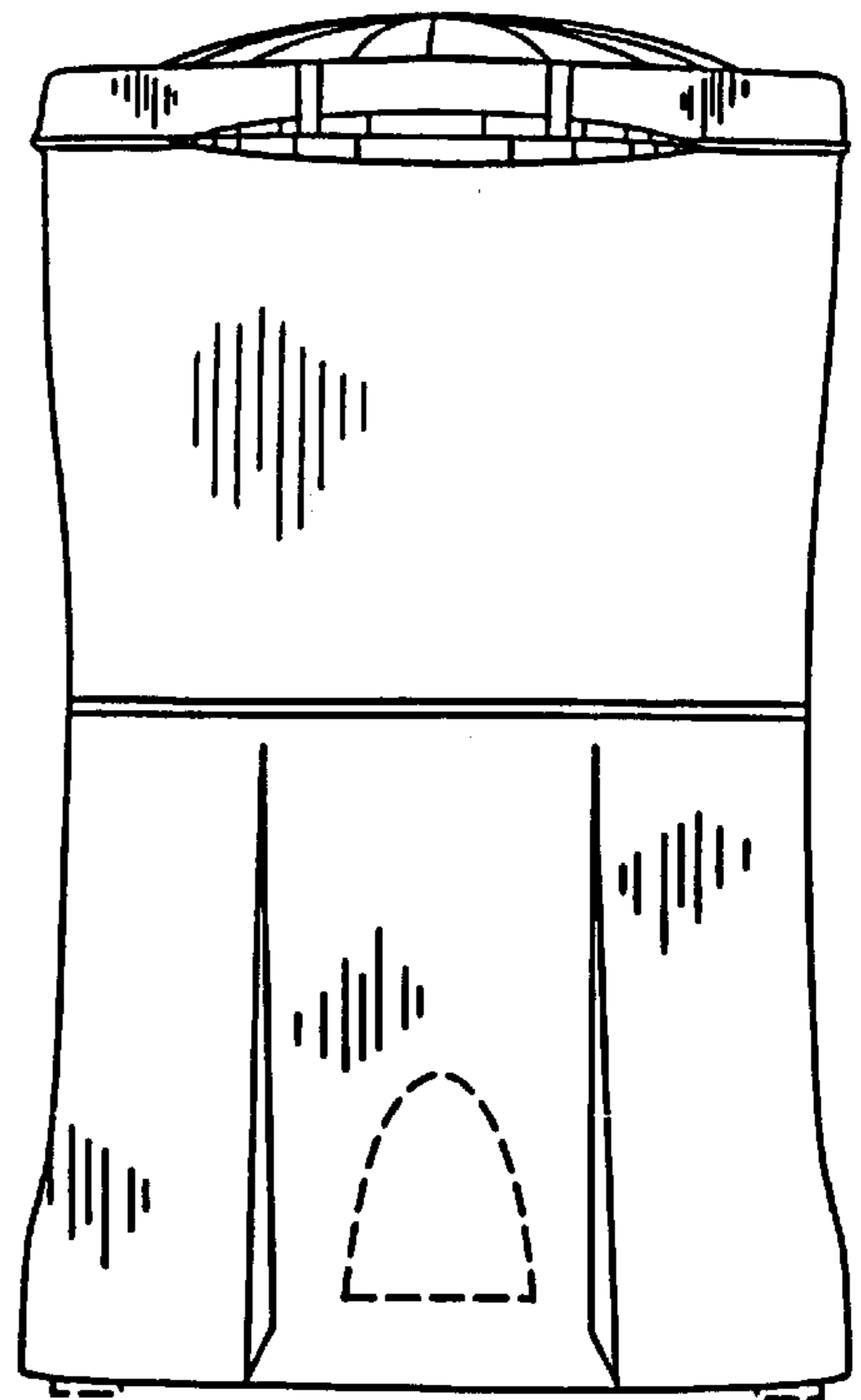


FIG. 2

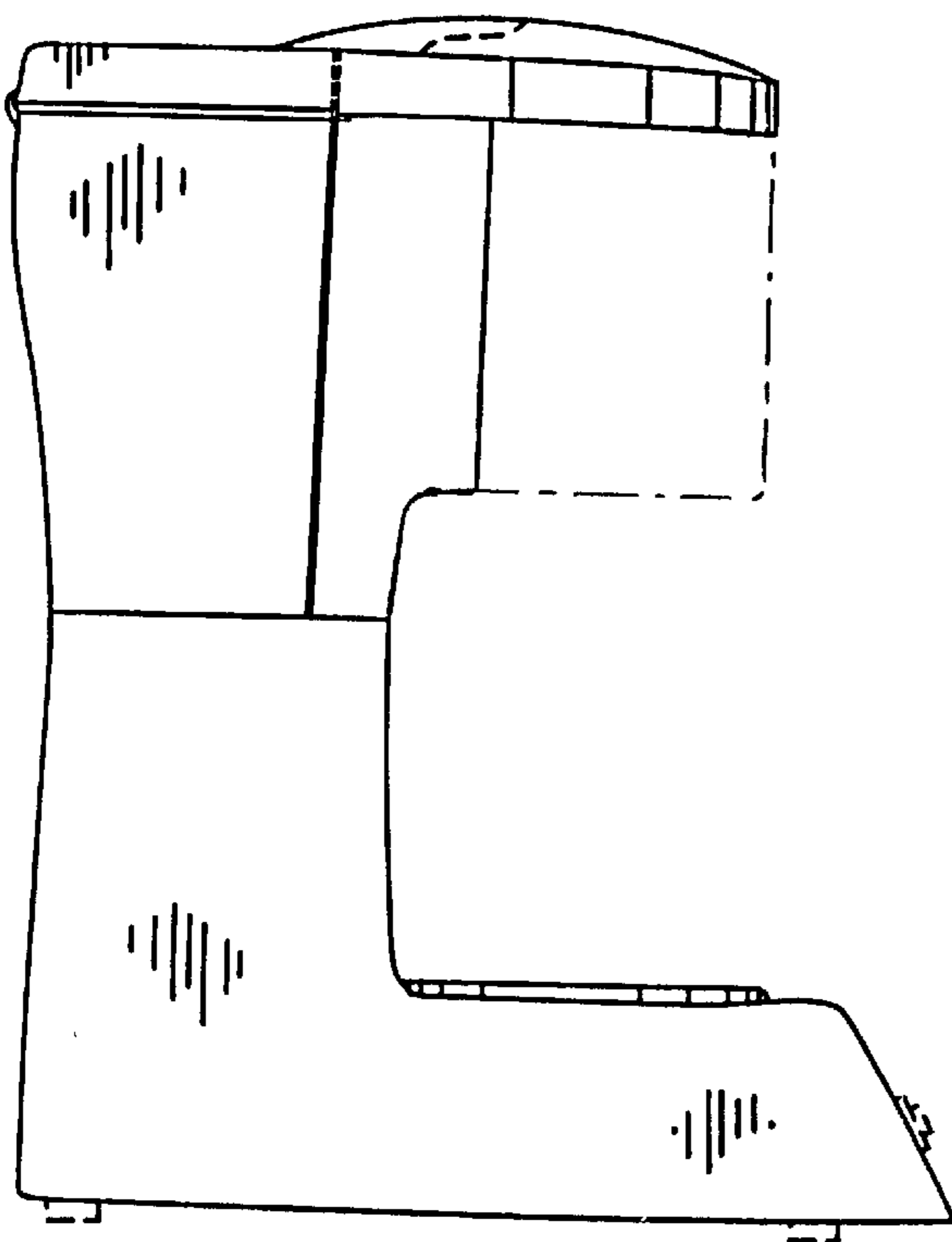


FIG. 3

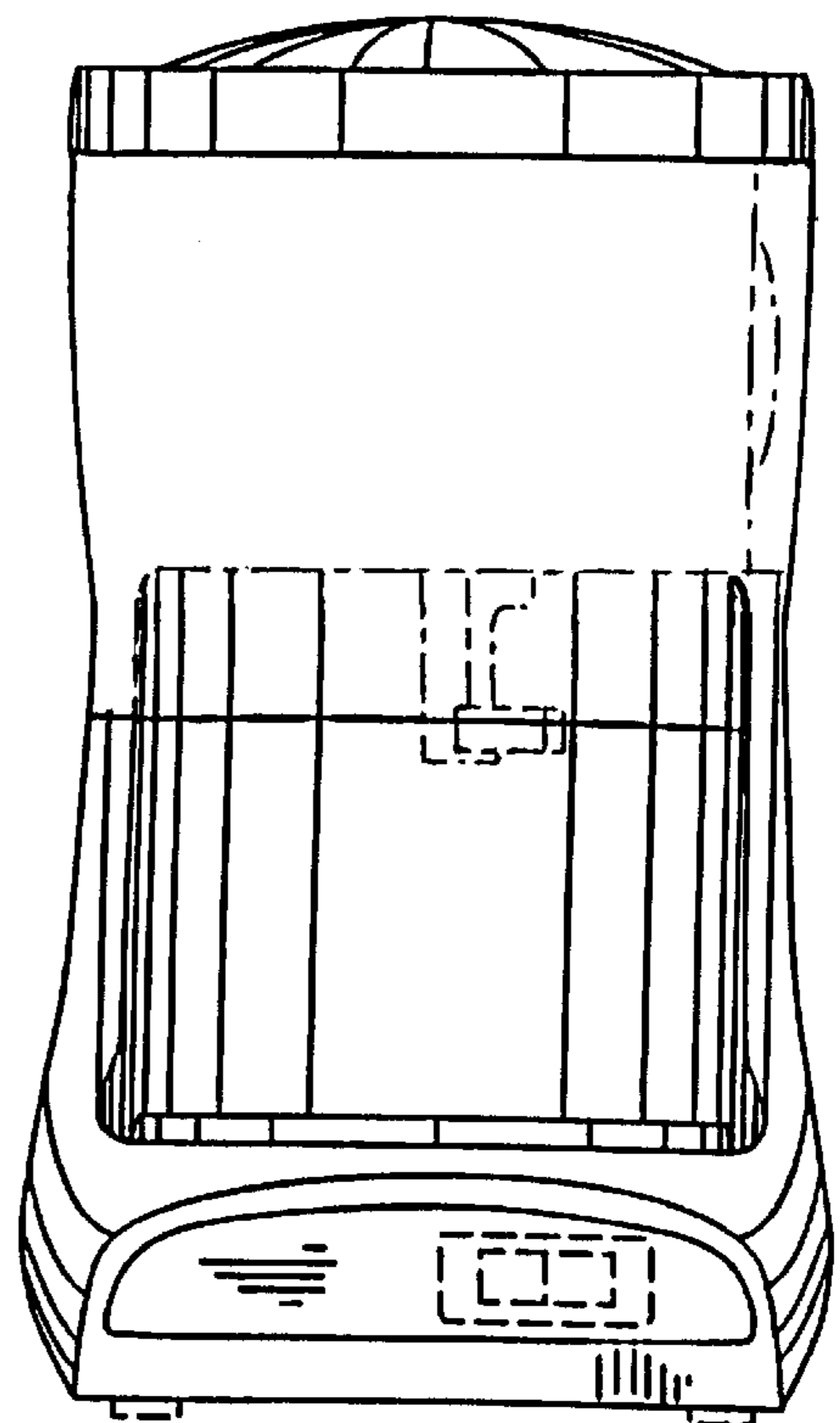


FIG. 4

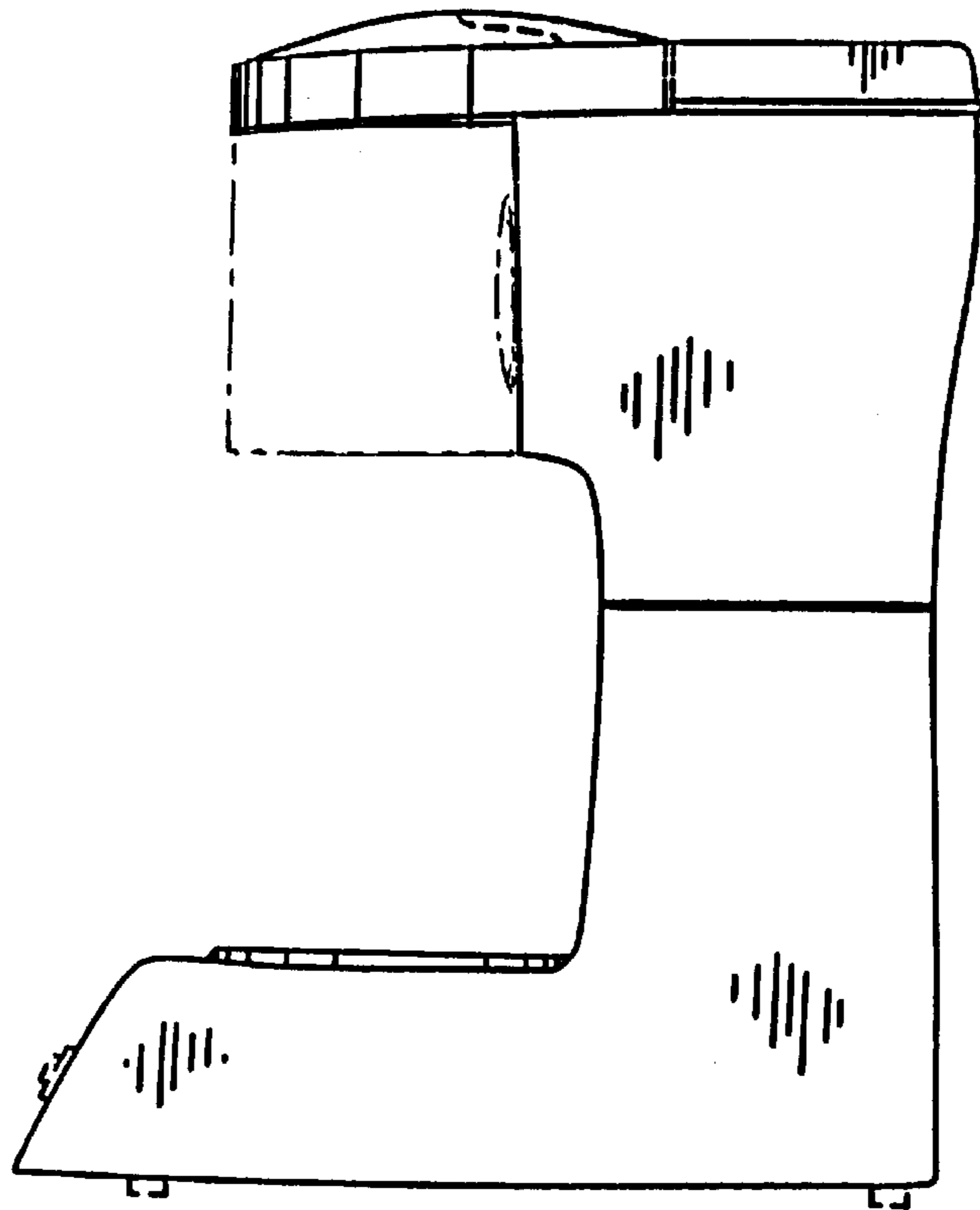


FIG. 5

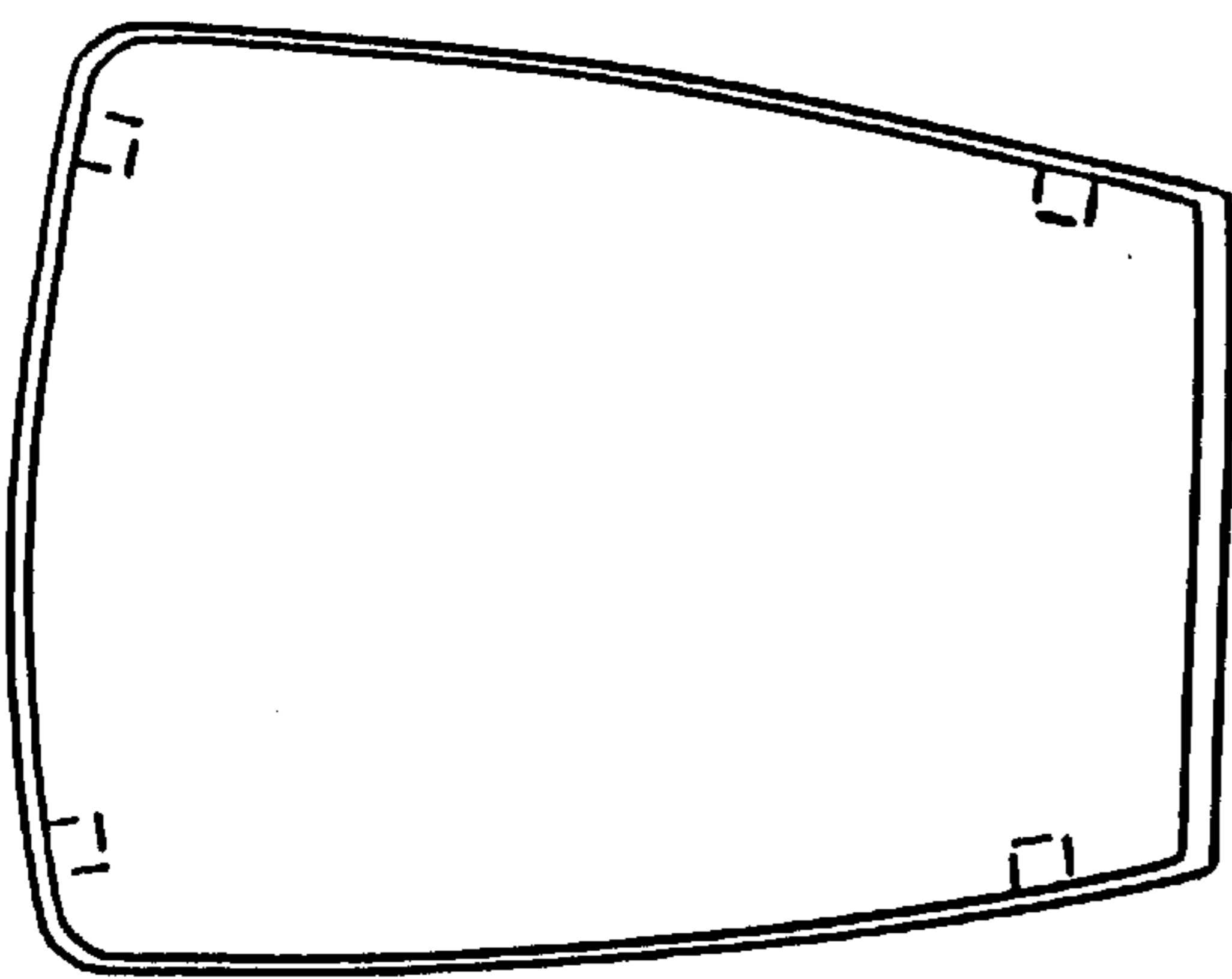


FIG. 6

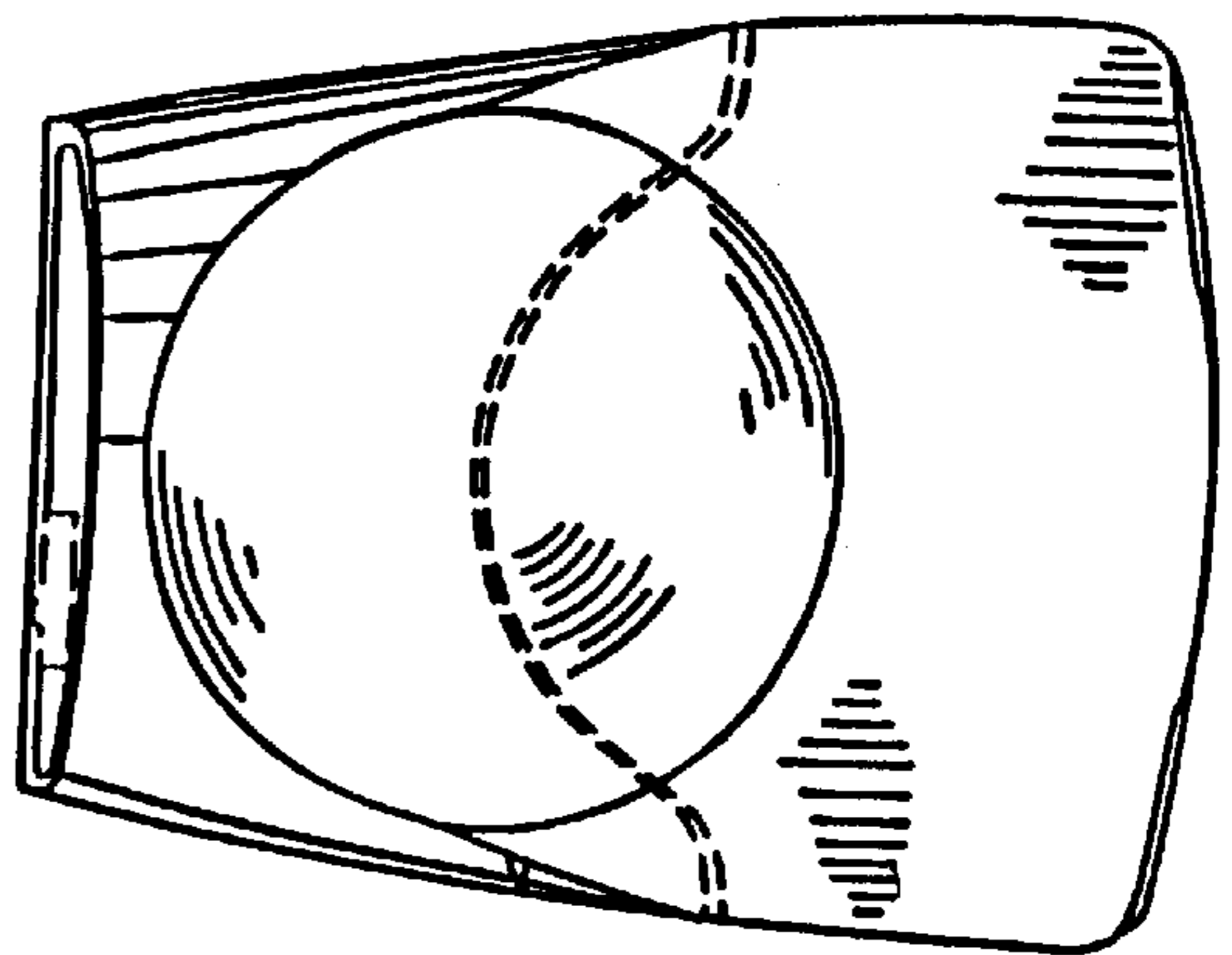


FIG. 7