



US00D446988B1

(12) **United States Design Patent**
Lothrop et al.

(10) **Patent No.:** **US D446,988 S**

(45) **Date of Patent:** **** Aug. 28, 2001**

(54) **COFFEEMAKER**

(75) Inventors: **Thornton K. Lothrop**, Worthington;
Gregg M. Davis, Powell; **Michael T. Koczewski**, Orient; **Peter A. Koloski**, Columbus, all of OH (US); **Mark Romandy**, Midlothian, VA (US); **Steve Williamson**, Arvonnia, VA (US); **Martin Brady**, Chesterfield, VA (US)

(73) Assignee: **Hamilton Beach/Protor Silex, Inc.**,
Glen Allen, VA (US)

(**) Term: **14 Years**

(21) Appl. No.: **29/126,337**

(22) Filed: **Jul. 11, 2000**

(51) **LOC (7) Cl.** **07-01**

(52) **U.S. Cl.** **D7/309; D7/310; D7/311**

(58) **Field of Search** **D7/309, 310, 311,**
D7/300; 222/129.1; 99/295, 297, 279, 304,
305, 293, 275, 299; 220/4.02

(56) **References Cited**

U.S. PATENT DOCUMENTS

D. 290,216	6/1987	Precht .	
D. 296,971	8/1988	Stutzer .	
D. 313,146	12/1990	Precht .	
D. 316,004	4/1991	Eugster .	
D. 339,954	10/1993	Bunn et al. .	
D. 340,833	11/1993	Del Fresno .	
D. 343,758	2/1994	Beeren .	
D. 348,585	7/1994	Sham .	
D. 358,736	5/1995	Kahlcke .	
D. 359,195	6/1995	Mukai et al. .	
D. 359,414 *	6/1995	Kahlcke	D7/309
D. 371,270	7/1996	Bell et al. .	
D. 373,281	9/1996	Simmons .	
D. 387,944	12/1997	Hippen .	
D. 387,945	12/1997	Hippen .	
D. 387,946	12/1997	Hippen .	
D. 390,409	2/1998	Littmann .	
D. 398,473	9/1998	Henderson .	
D. 400,045	10/1998	Schade .	

D. 403,199	12/1998	Micoley .	
D. 404,961	2/1999	Carrere .	
D. 407,261 *	3/1999	Lucas et al.	D7/309
D. 407,596	4/1999	Hsu .	
D. 408,208 *	4/1999	Hsu	D7/309
D. 424,360 *	5/2000	Schwarz et al.	D7/309
D. 432,848 *	10/2000	Brady et al.	D7/309
D. 432,849 *	10/2000	Brady et al.	D7/309
D. 437,173 *	2/2001	Naft et al.	D7/309
D. 439,103 *	3/2001	Cruz	D7/309
D. 440,811 *	4/2001	Littmann et al.	D7/309

* cited by examiner

Primary Examiner—M. N. Pandozzi

(74) *Attorney, Agent, or Firm*—Millen, White, Zelano & Branigan, P.C.

(57) **CLAIM**

The ornamental design for a coffeemaker, as shown and described.

DESCRIPTION

FIG. 1 is a top front perspective view of a coffeemaker showing our new design;

FIG. 2 is a top plan view of the coffeemaker shown in FIG. 1.

FIG. 3 is a front end view of the coffeemaker shown in FIG. 1.

FIG. 4 is a rear end view of the coffeemaker shown in FIG. 1.

FIG. 5 is a right side view of the coffeemaker shown in FIG. 1.

FIG. 6 is a left side view of the coffeemaker shown in FIG. 1.

FIG. 7 is a top front perspective view of a coffeemaker showing a second embodiment of our new design;

FIG. 8 is a top plan view of the coffeemaker shown in FIG. 7.

FIG. 9 is a front end view of the coffeemaker shown in FIG. 7.

FIG. 10 is a rear end view of the coffeemaker shown in FIG. 7.

FIG. 11 is a right side view of the coffeemaker shown in FIG. 7.

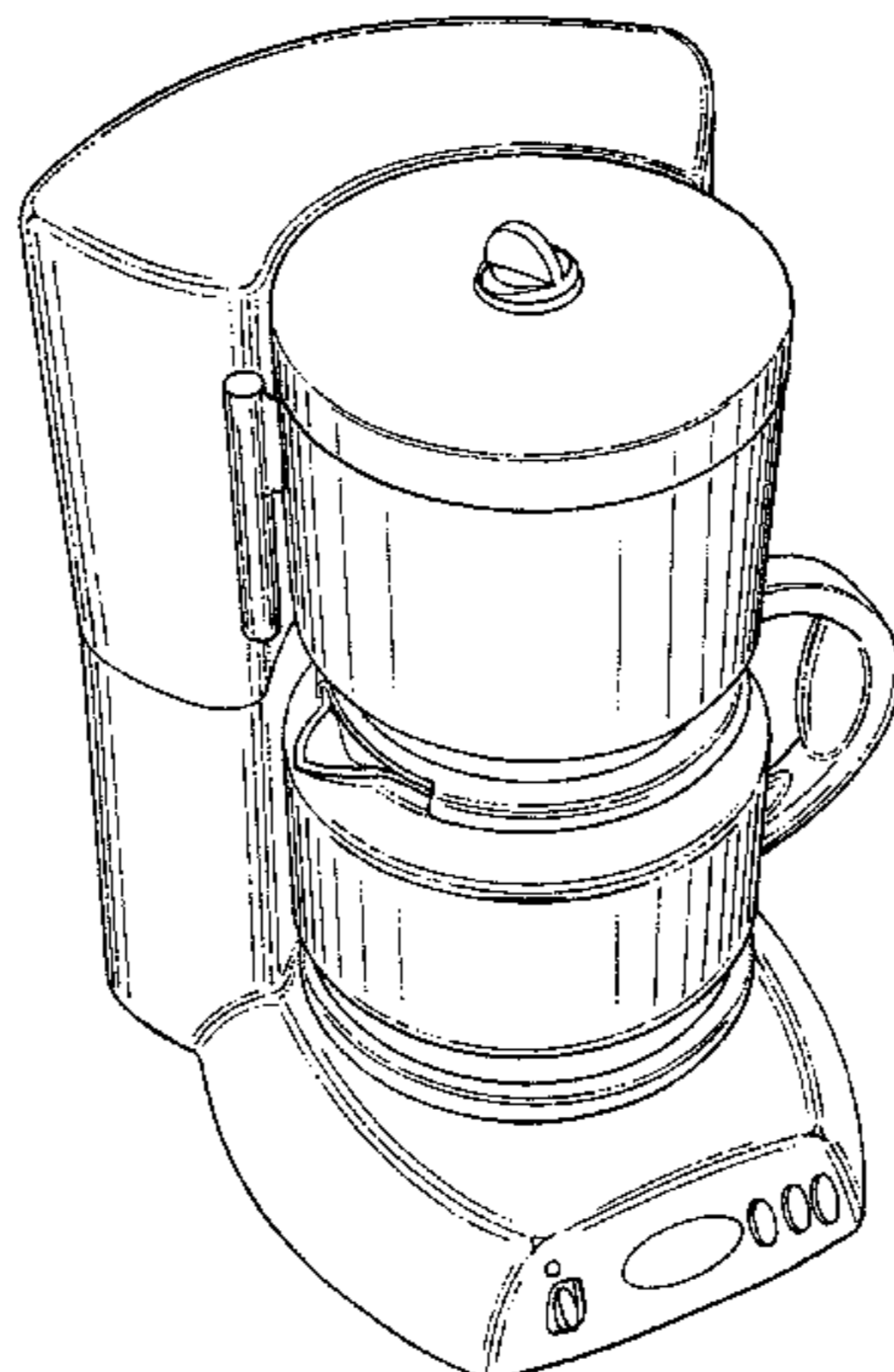


FIG. 12 is a left side view of the coffeemaker shown in FIG. 7.

FIG. 13 is a top front perspective view of a coffeemaker showing a third embodiment of our new design;

FIG. 14 is a top plan view of the coffeemaker shown in FIG. 13.

FIG. 15 is a front end view of the coffeemaker shown in FIG. 13.

FIG. 16 is a rear end view of the coffeemaker shown in FIG. 13.

FIG. 17 is a right side view of the coffeemaker shown in FIG. 13.

FIG. 18 is a left side view of the coffeemaker shown in FIG. 13.

FIG. 19 is a top front perspective view of a coffeemaker showing a fourth embodiment of our new design;

FIG. 20 is a top plan view of the coffeemaker shown in FIG. 19.

FIG. 21 is a front end view of the coffeemaker shown in FIG. 19.

FIG. 22 is a rear end view of the coffeemaker shown in FIG. 19.

FIG. 23 is a right side view of the coffeemaker shown in FIG. 19.

FIG. 24 is a left side view of the coffeemaker shown in FIG. 19.

FIG. 25 is a top front perspective view of a coffeemaker showing a fifth embodiment of our new design;

FIG. 26 is a top plan view of the coffeemaker shown in FIG. 25.

FIG. 27 is a front end view of the coffeemaker shown in FIG. 25.

FIG. 28 is a rear end view of the coffeemaker shown in FIG. 25.

FIG. 29 is a right side view of the coffeemaker shown in FIG. 25.

FIG. 30 is a left side view of the coffeemaker shown in FIG. 25.

FIG. 31 is a top front perspective view of a coffeemaker showing a sixth embodiment of our new design;

FIG. 32 is a top plan view of the coffeemaker shown in FIG. 31.

FIG. 33 is a front end view of the coffeemaker shown in FIG. 31.

FIG. 34 is a rear end view of the coffeemaker shown in FIG. 31.

FIG. 35 is a right side view of the coffeemaker shown in FIG. 31; and,

FIG. 36 is a left side view of the coffeemaker shown in FIG. 31.

1 Claim, 36 Drawing Sheets

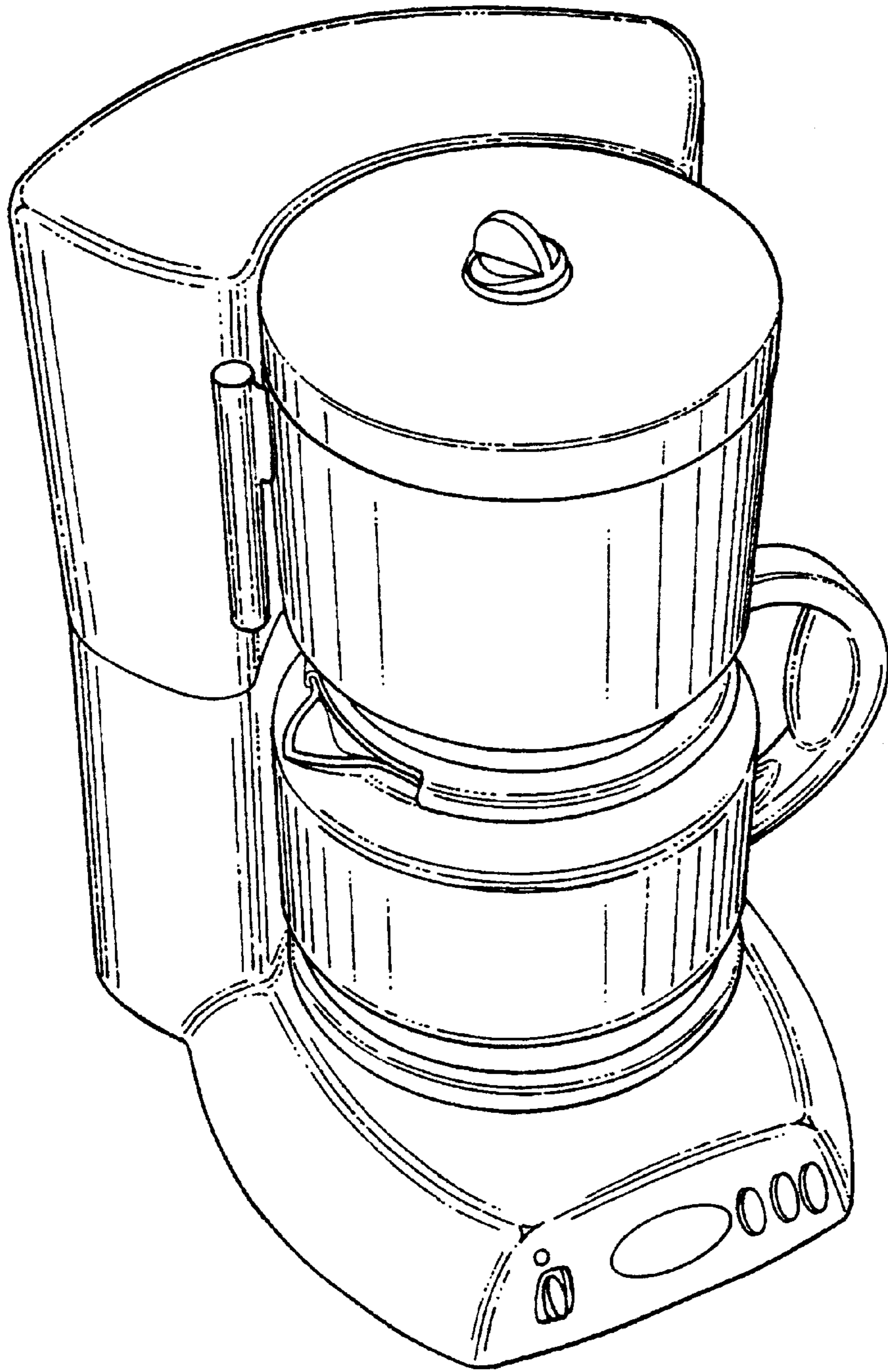


Fig. 1

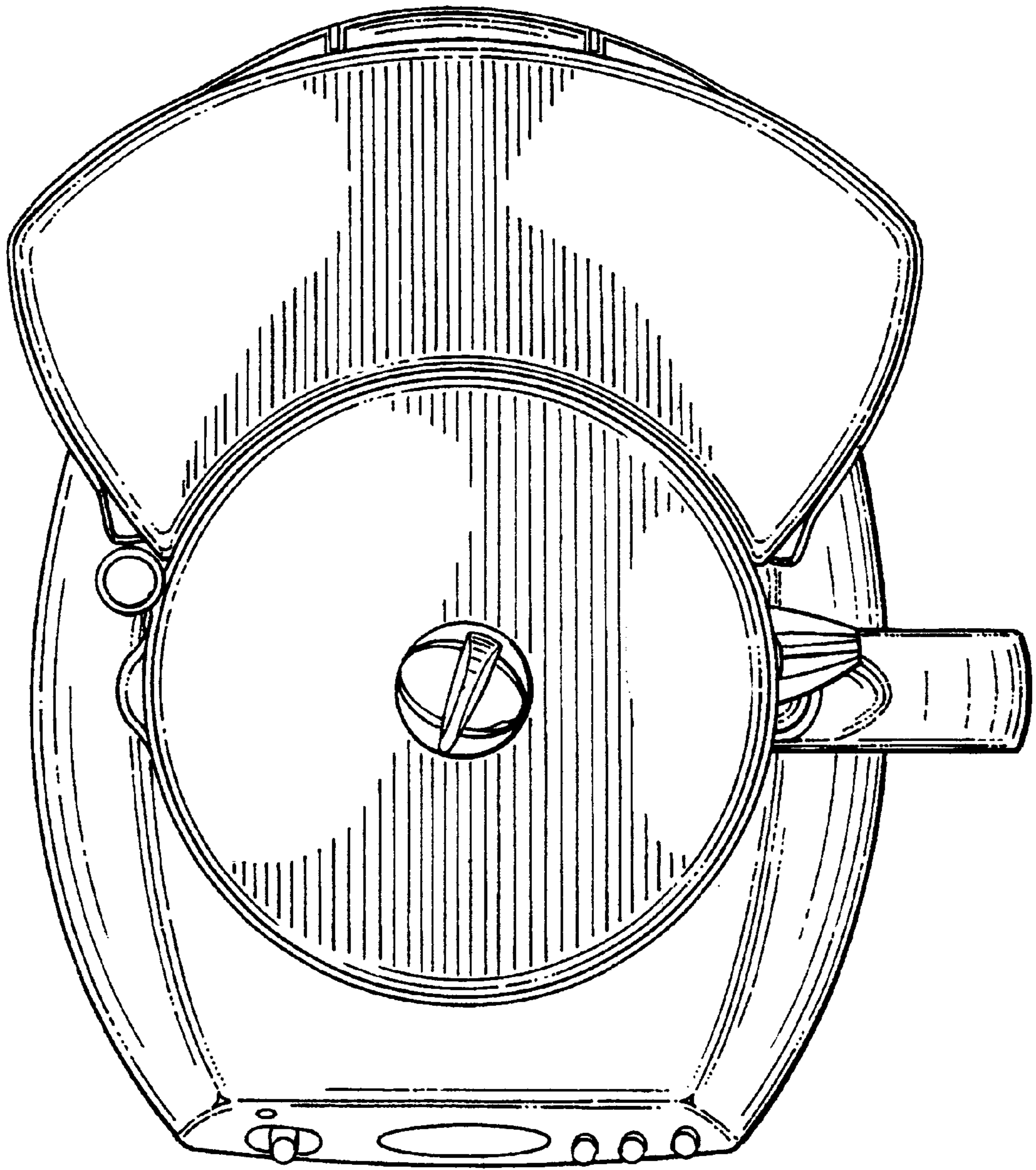


Fig. 2

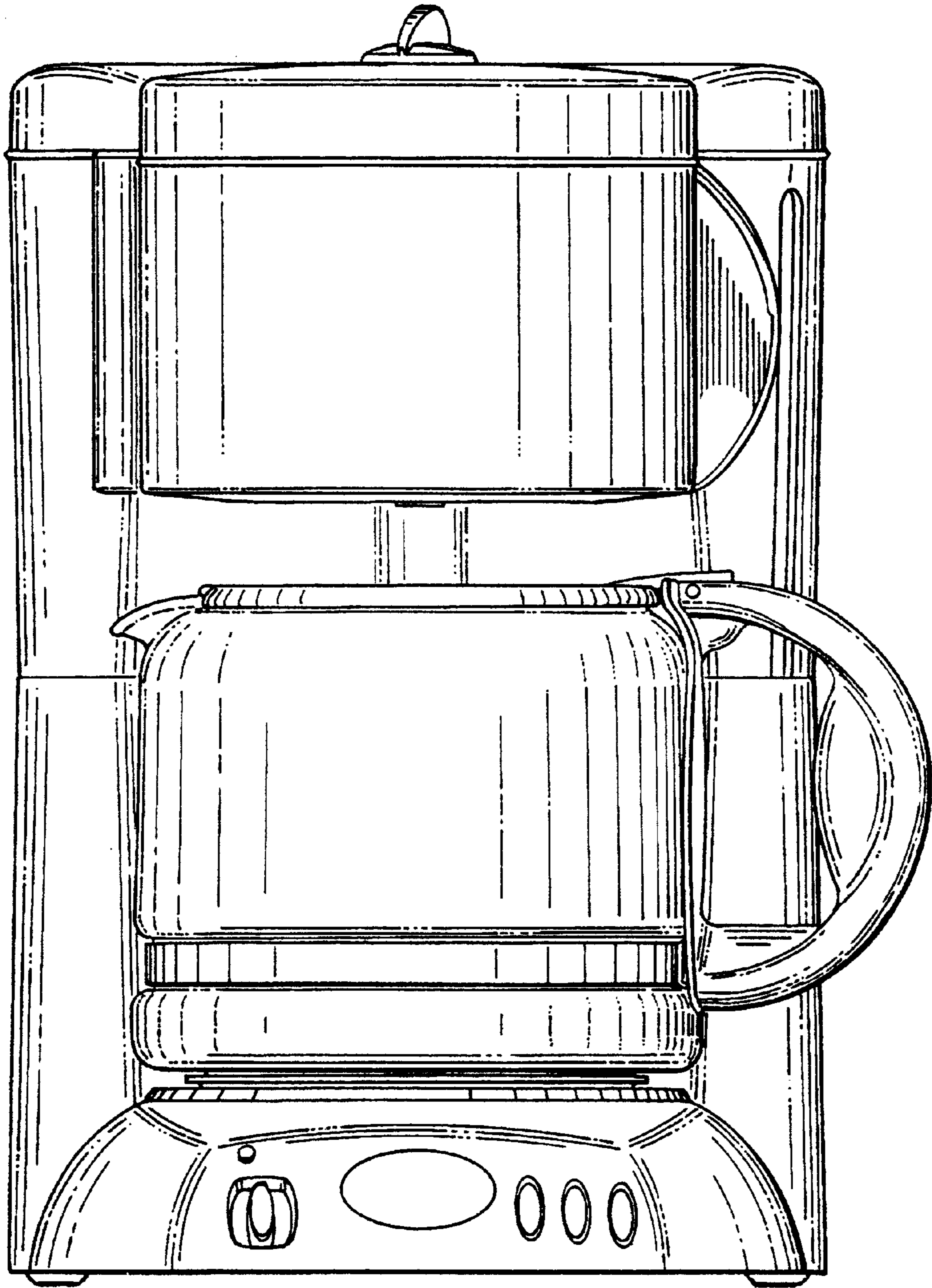


Fig. 3

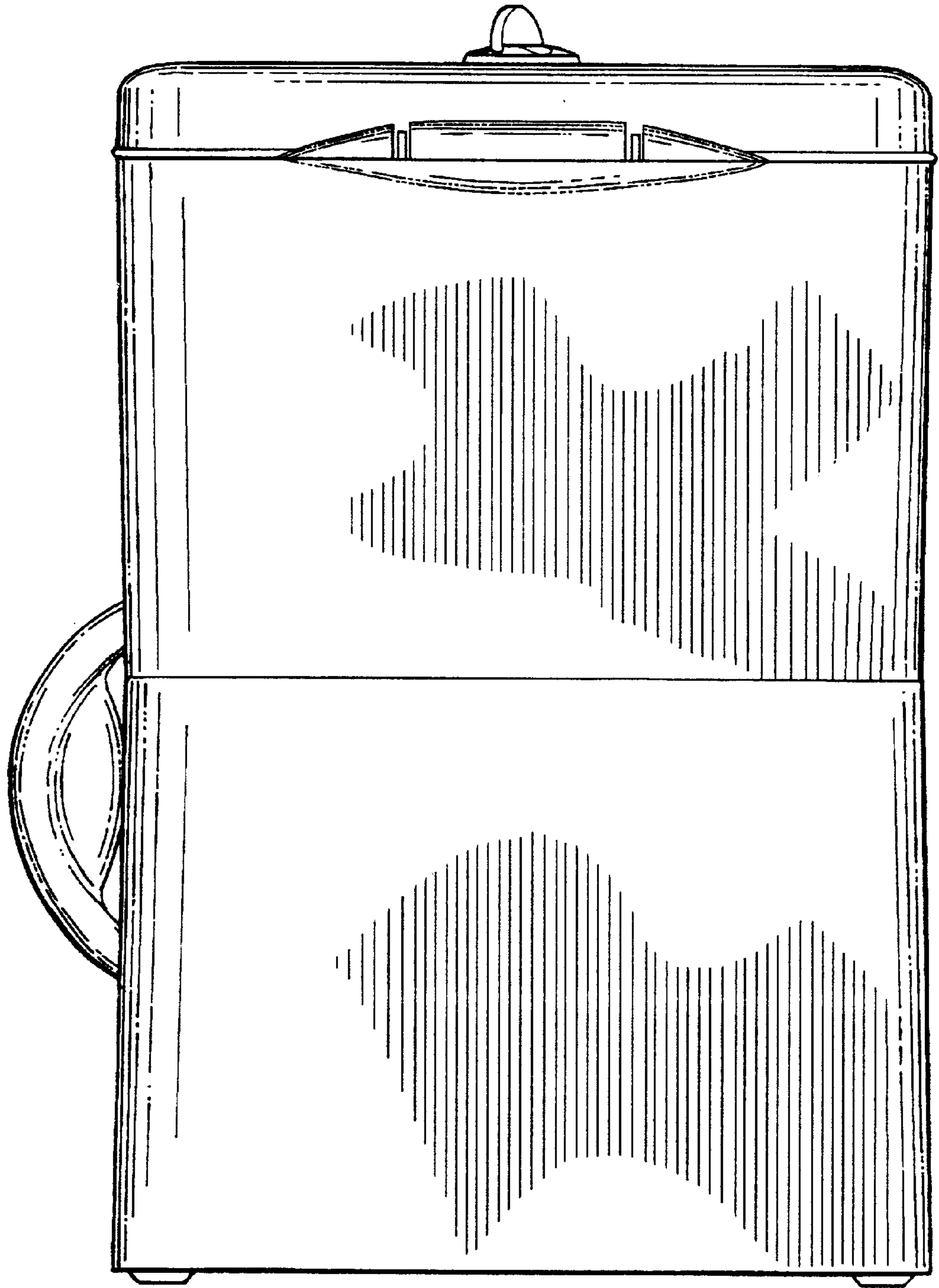


Fig. 4

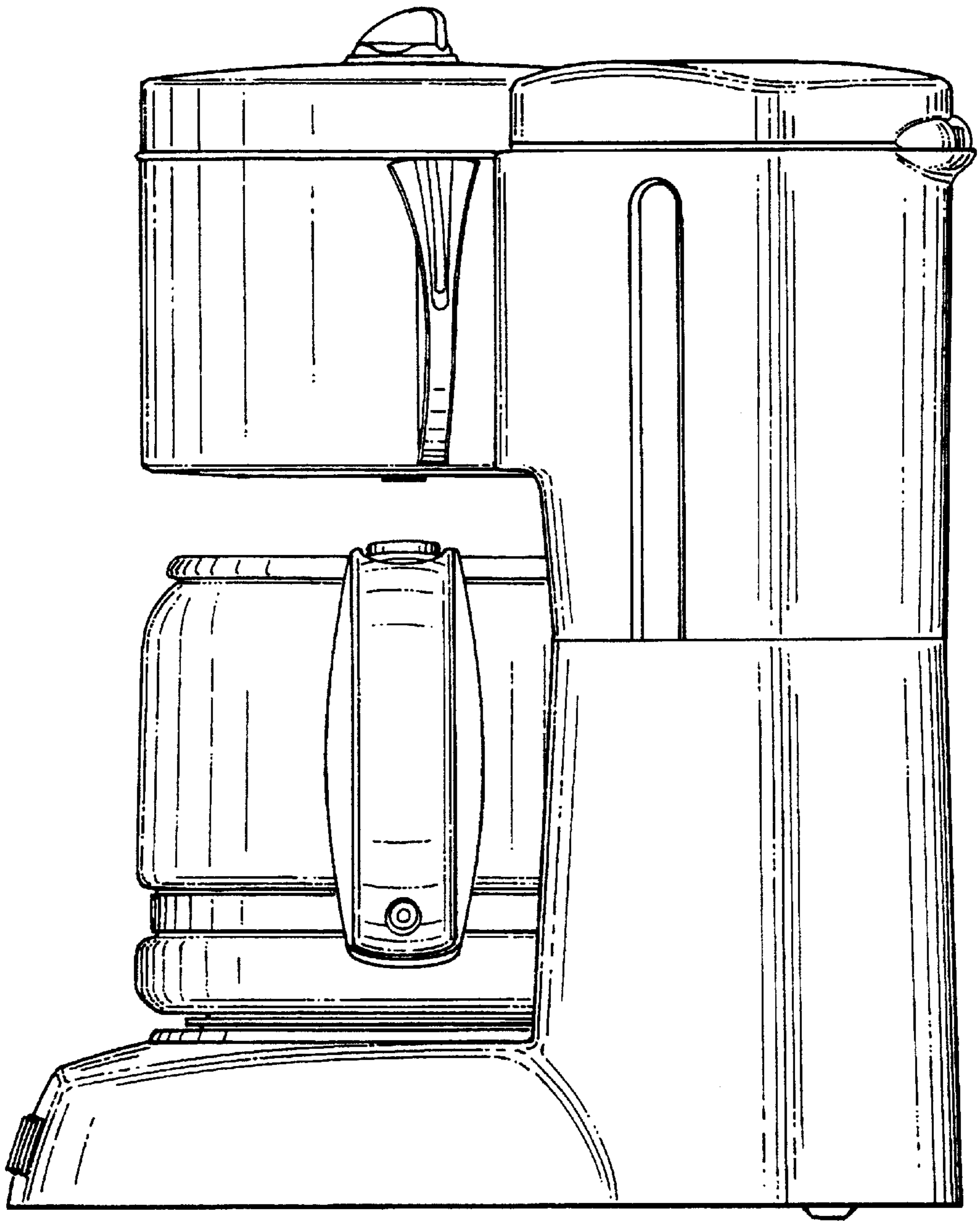


Fig. 5

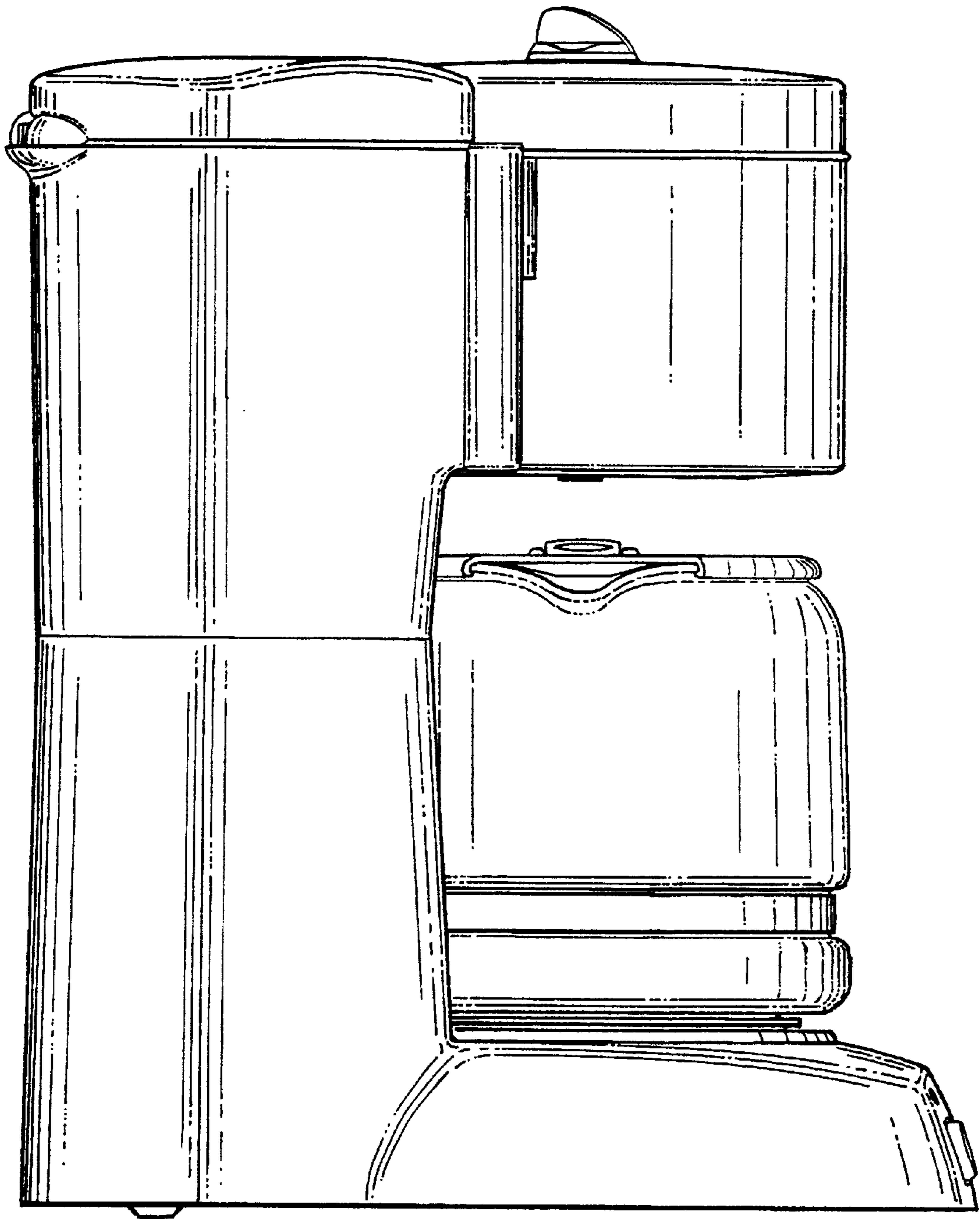


Fig. 6

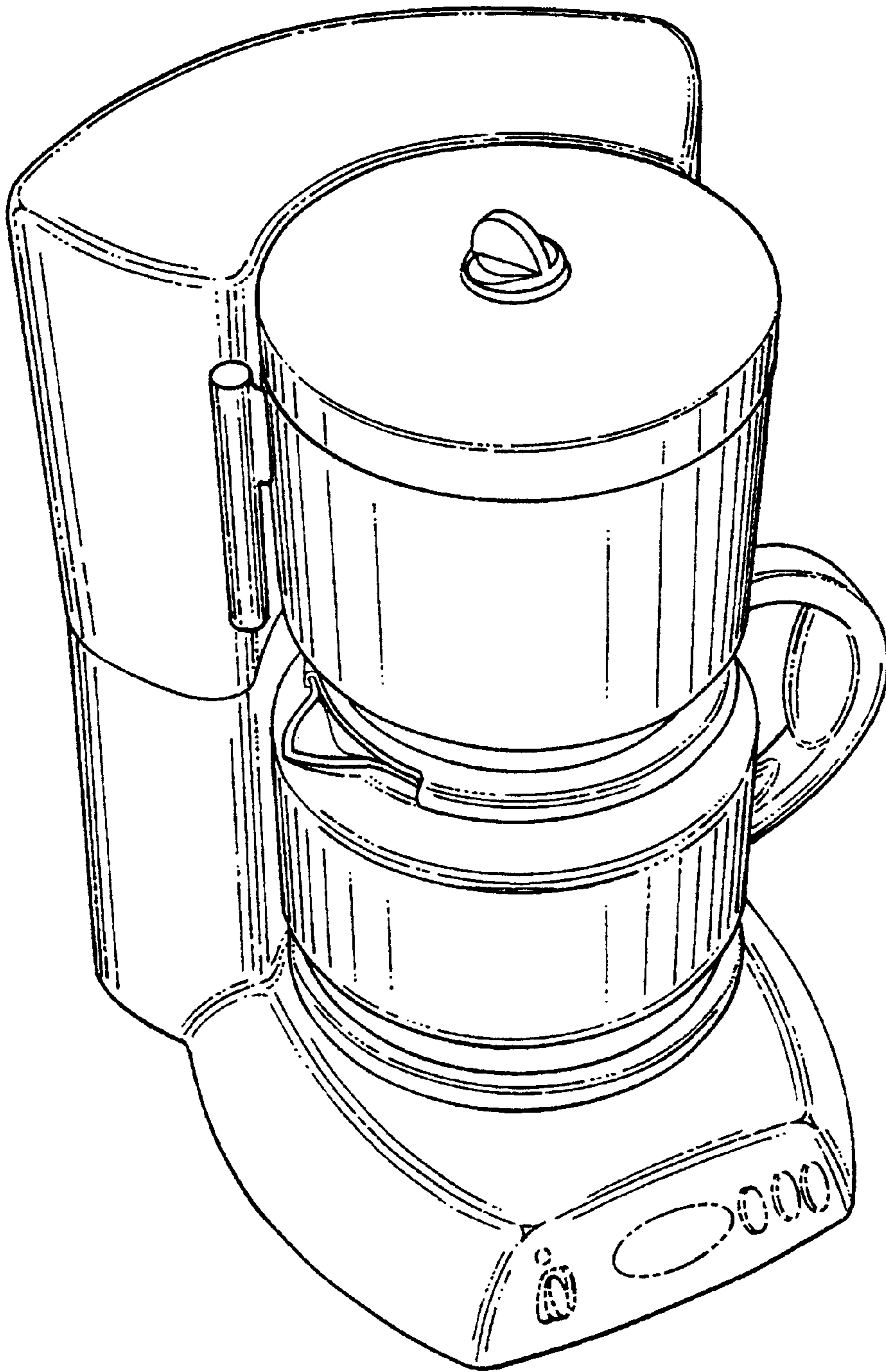


Fig. 7

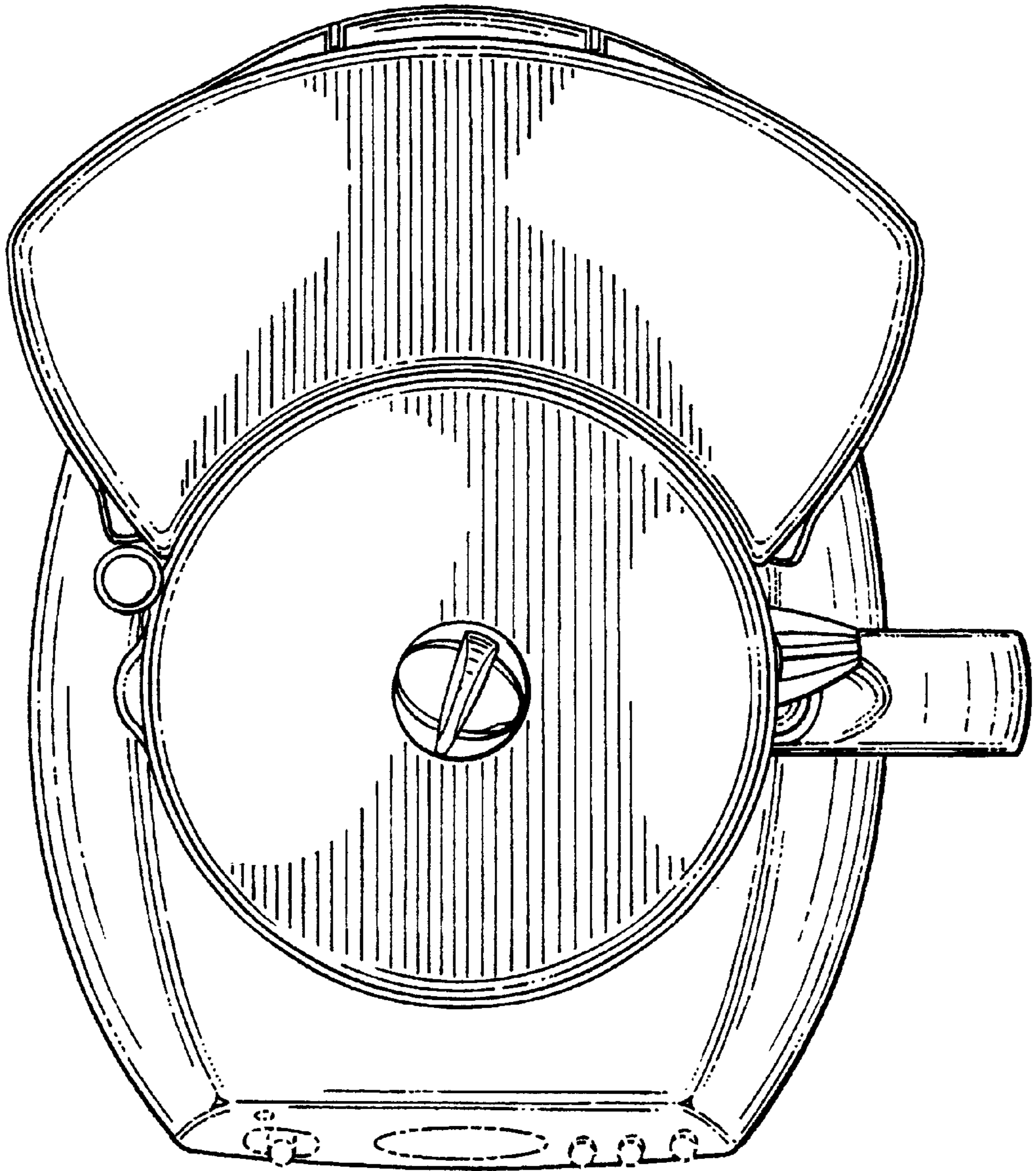


Fig. 8

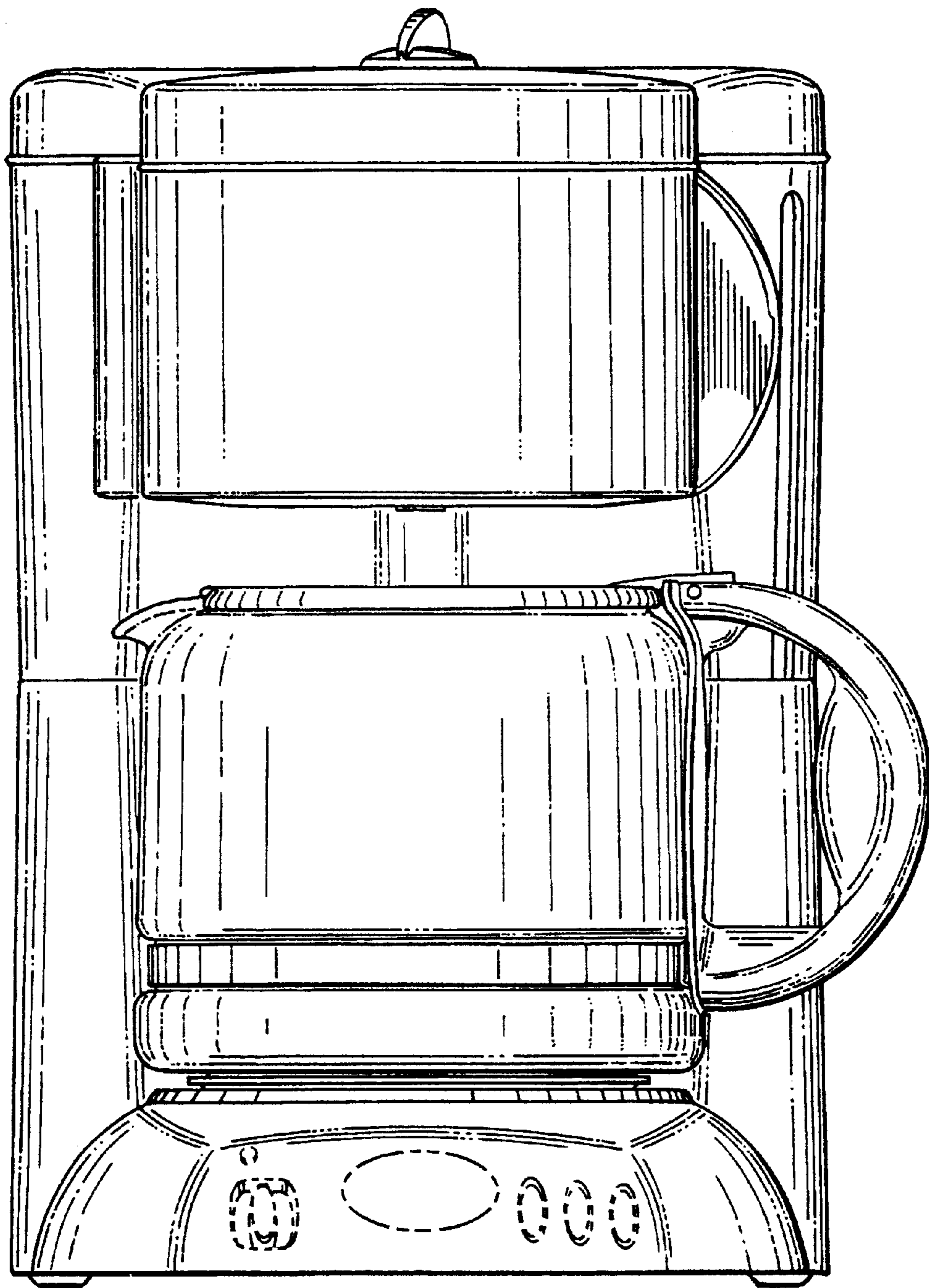


Fig. 9

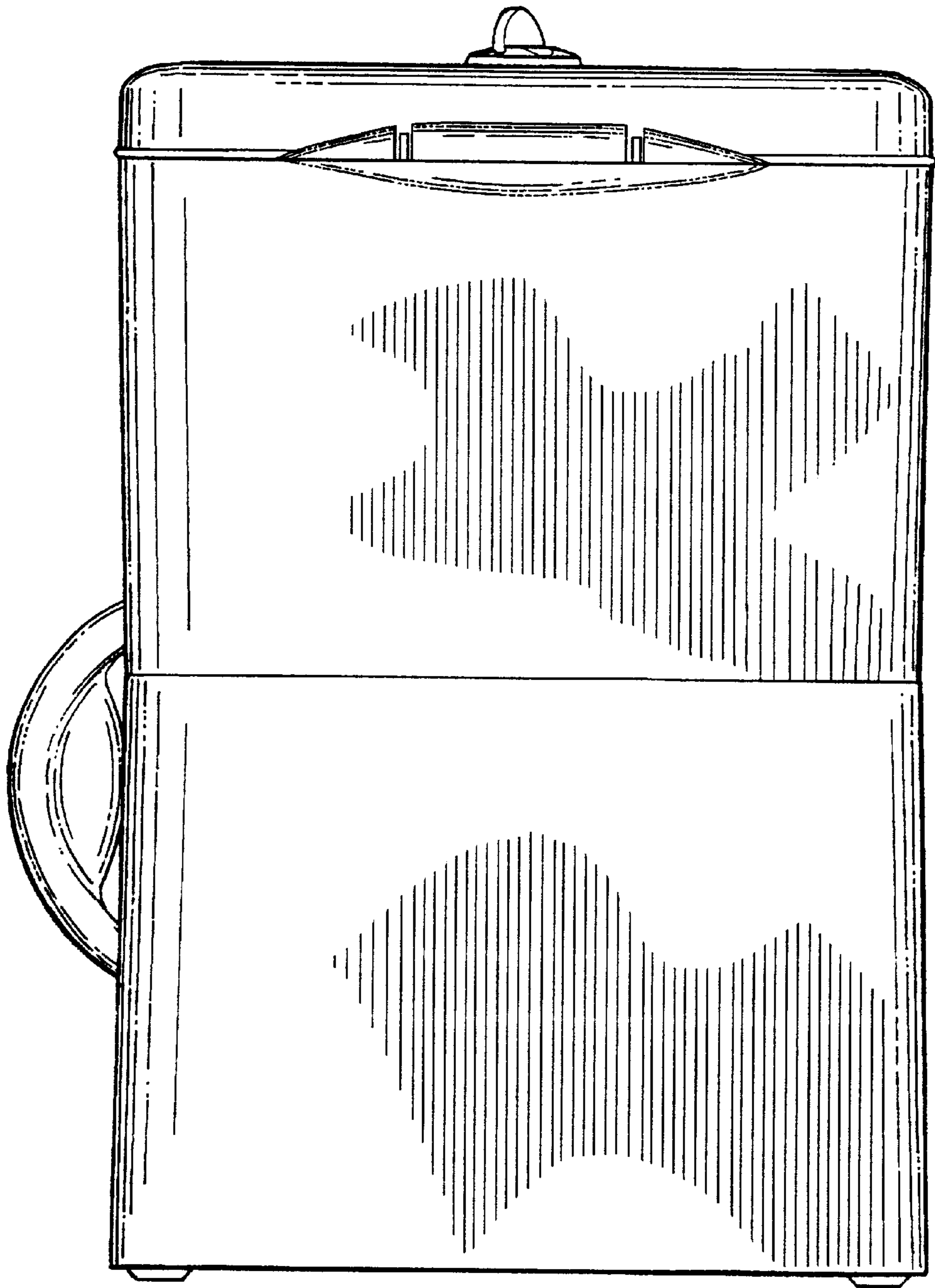


Fig. 10

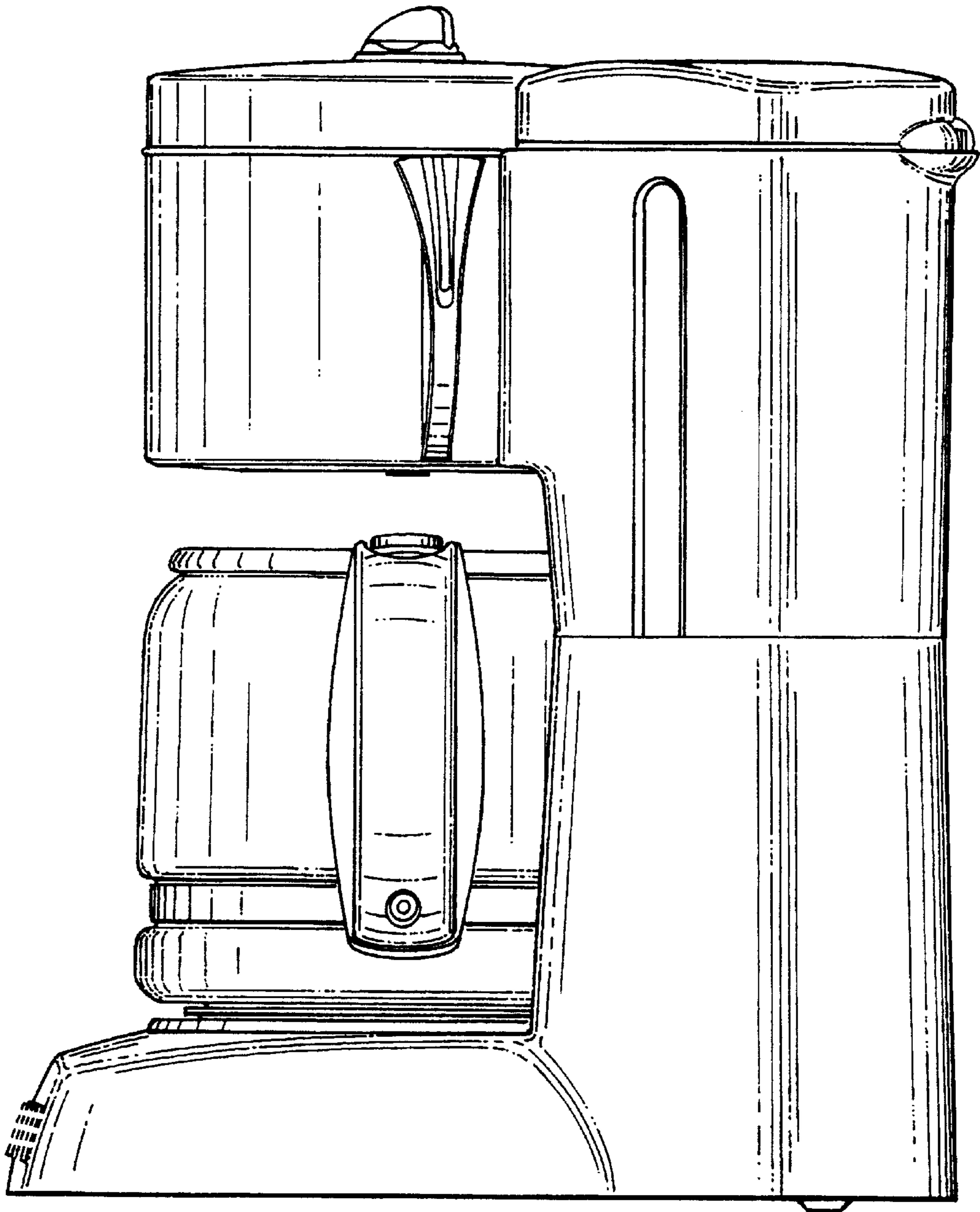


Fig. 11

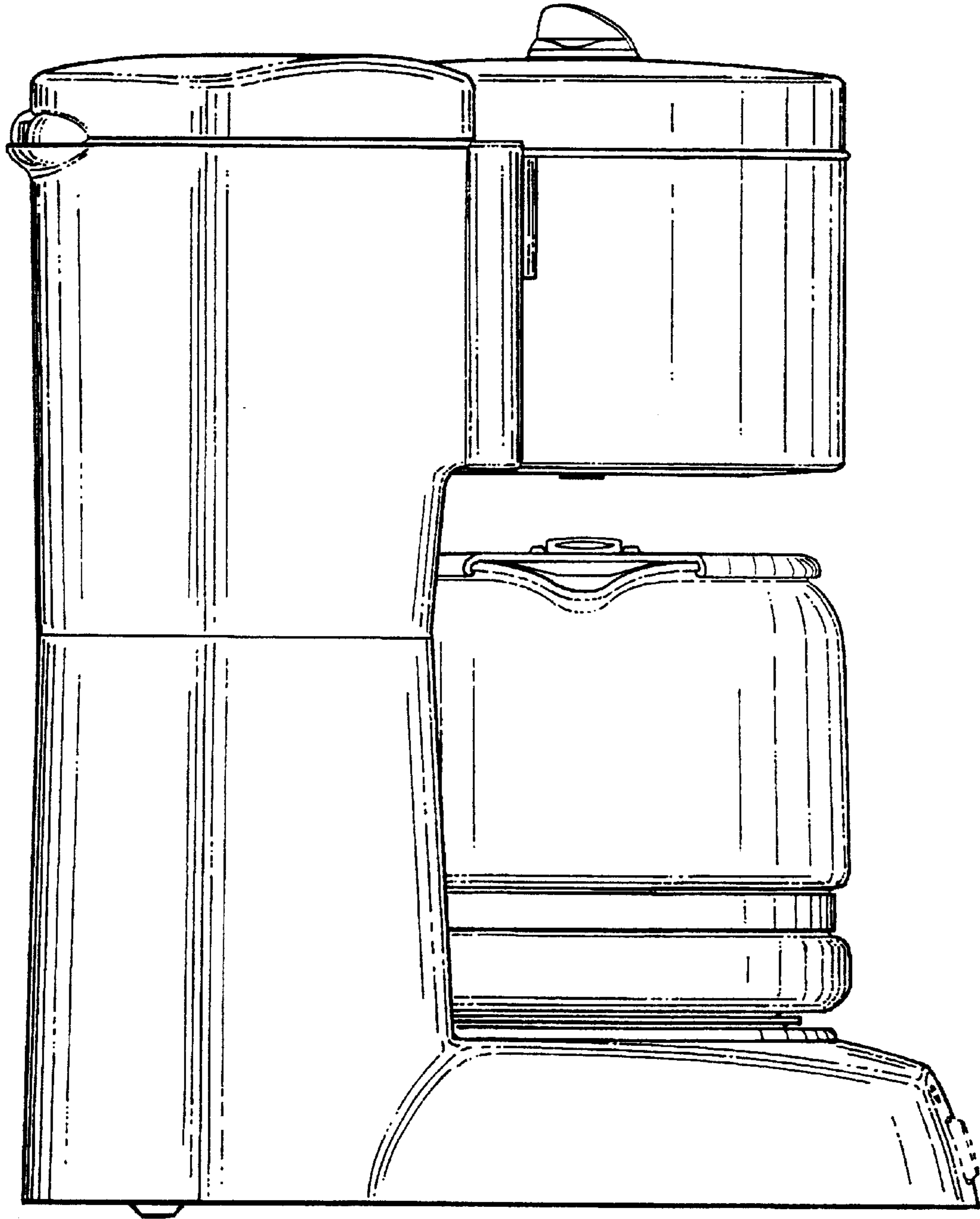


Fig. 12

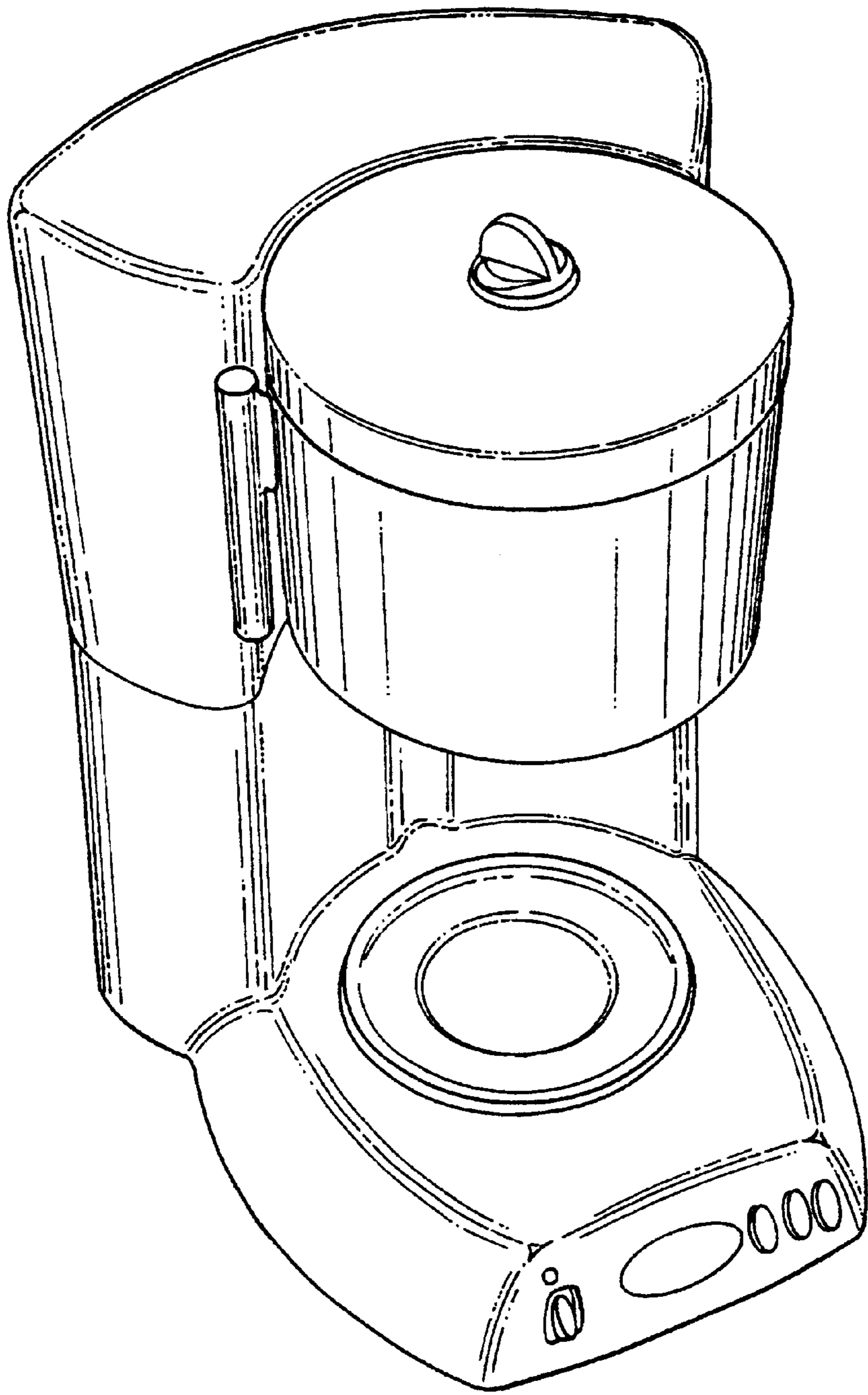


Fig. 13

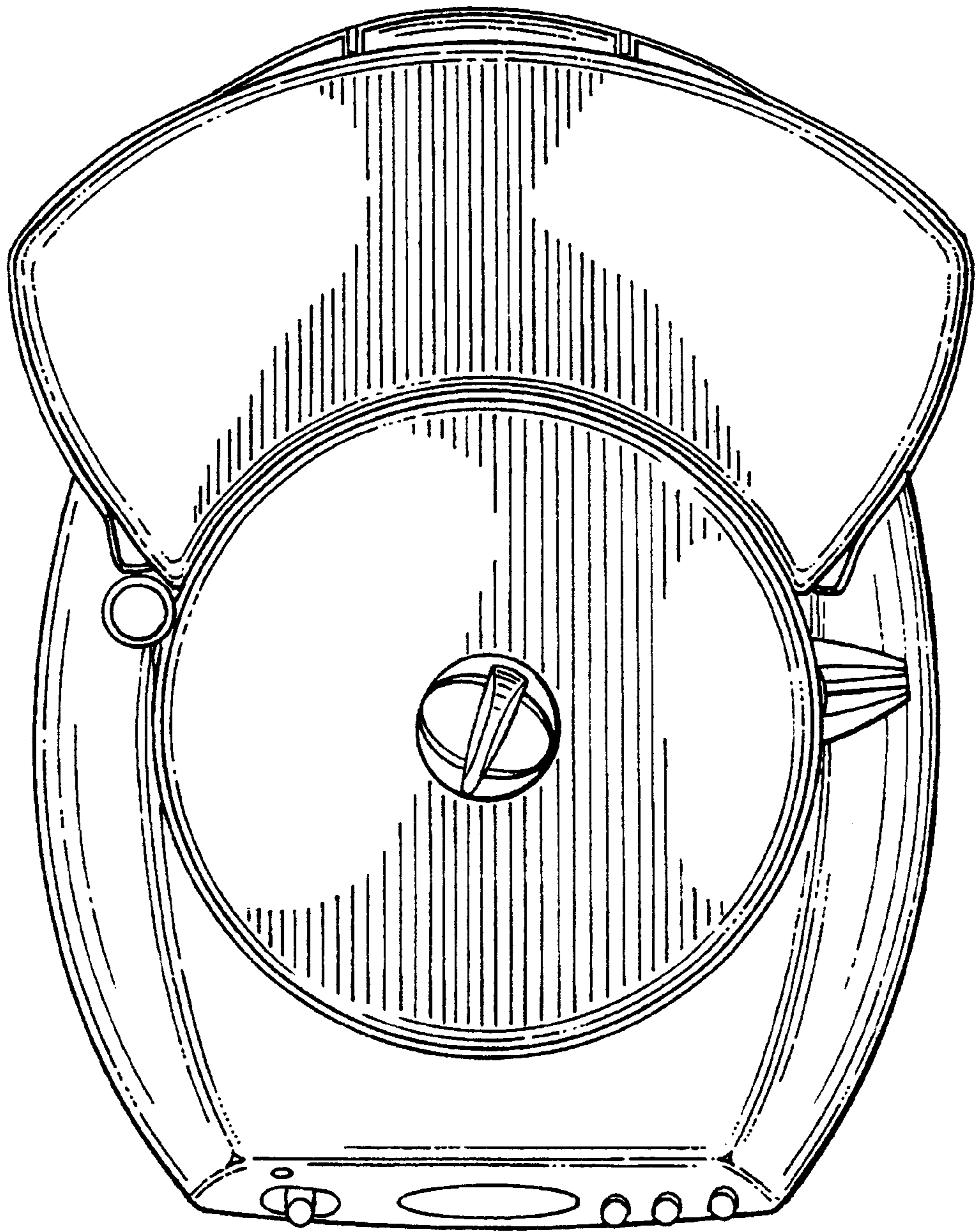


Fig. 14

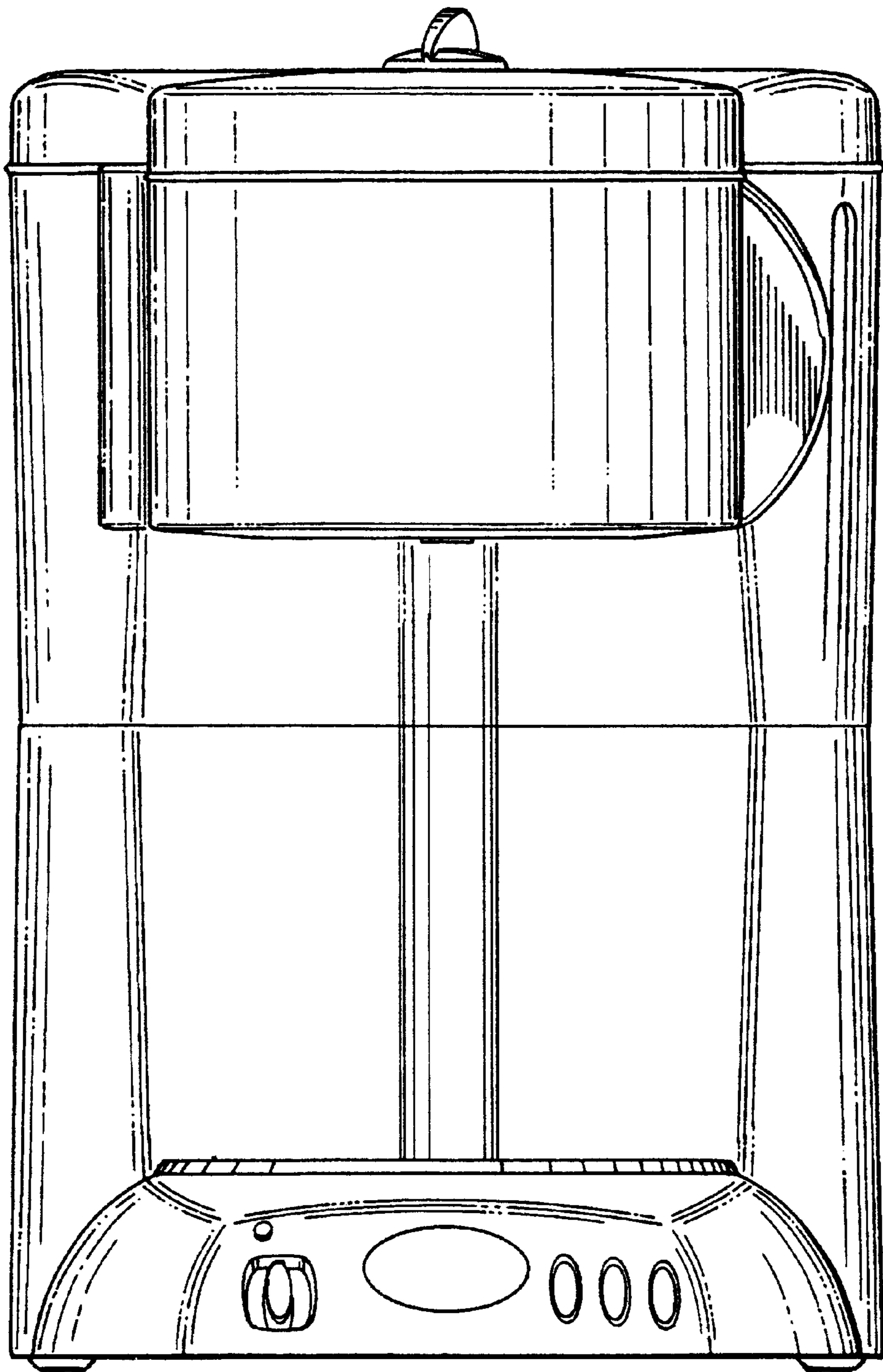


Fig. 15

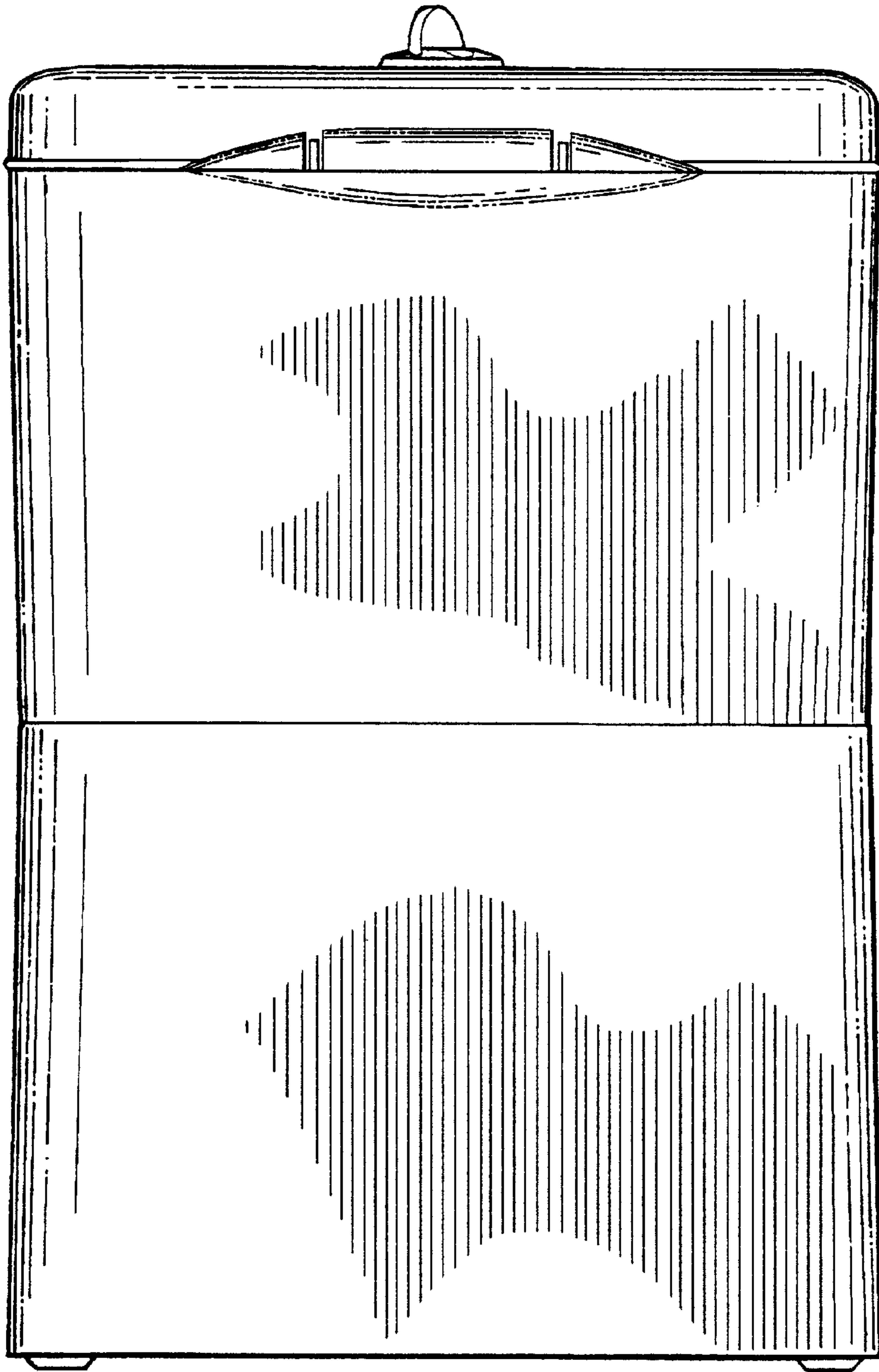


Fig. 16

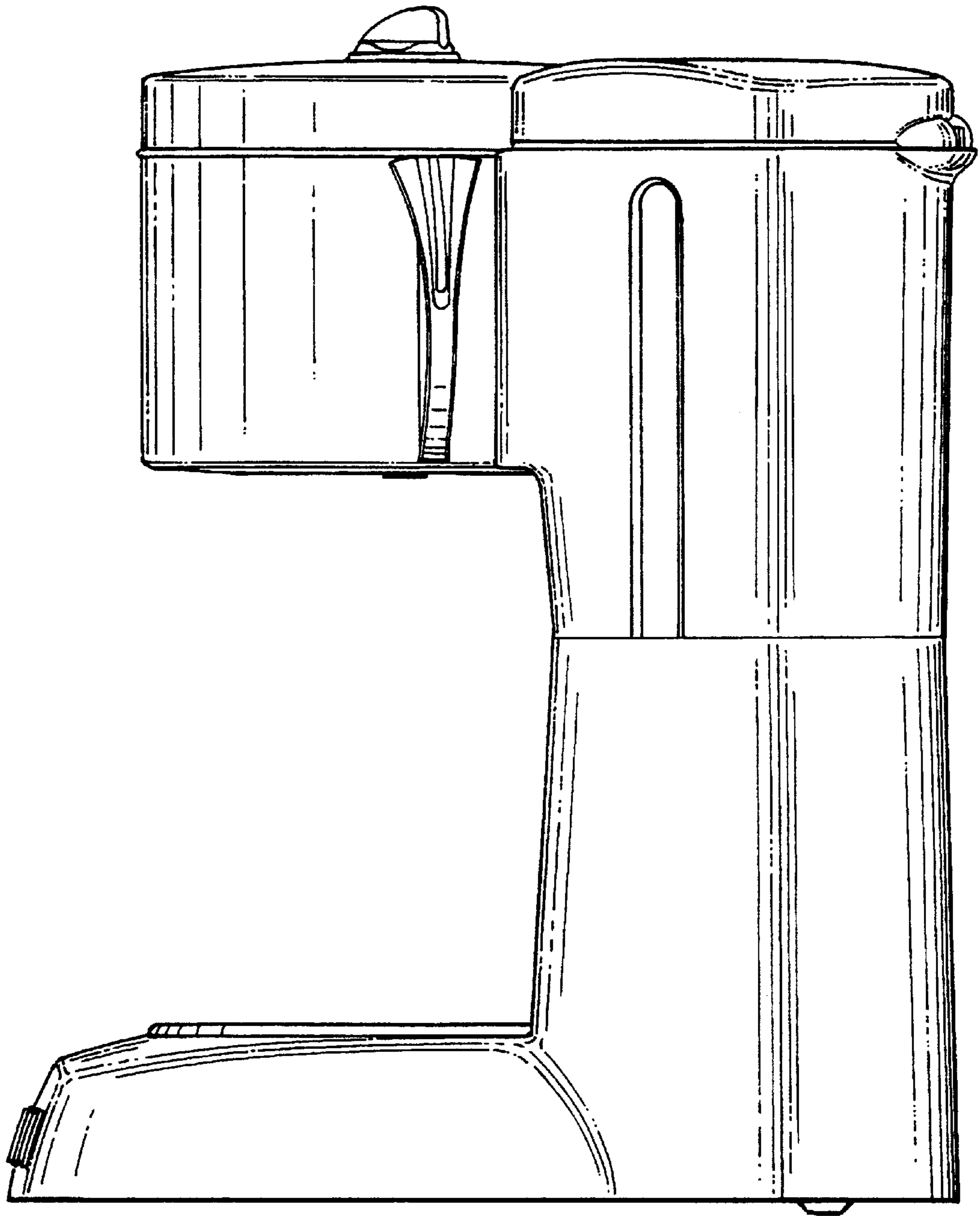


Fig. 17

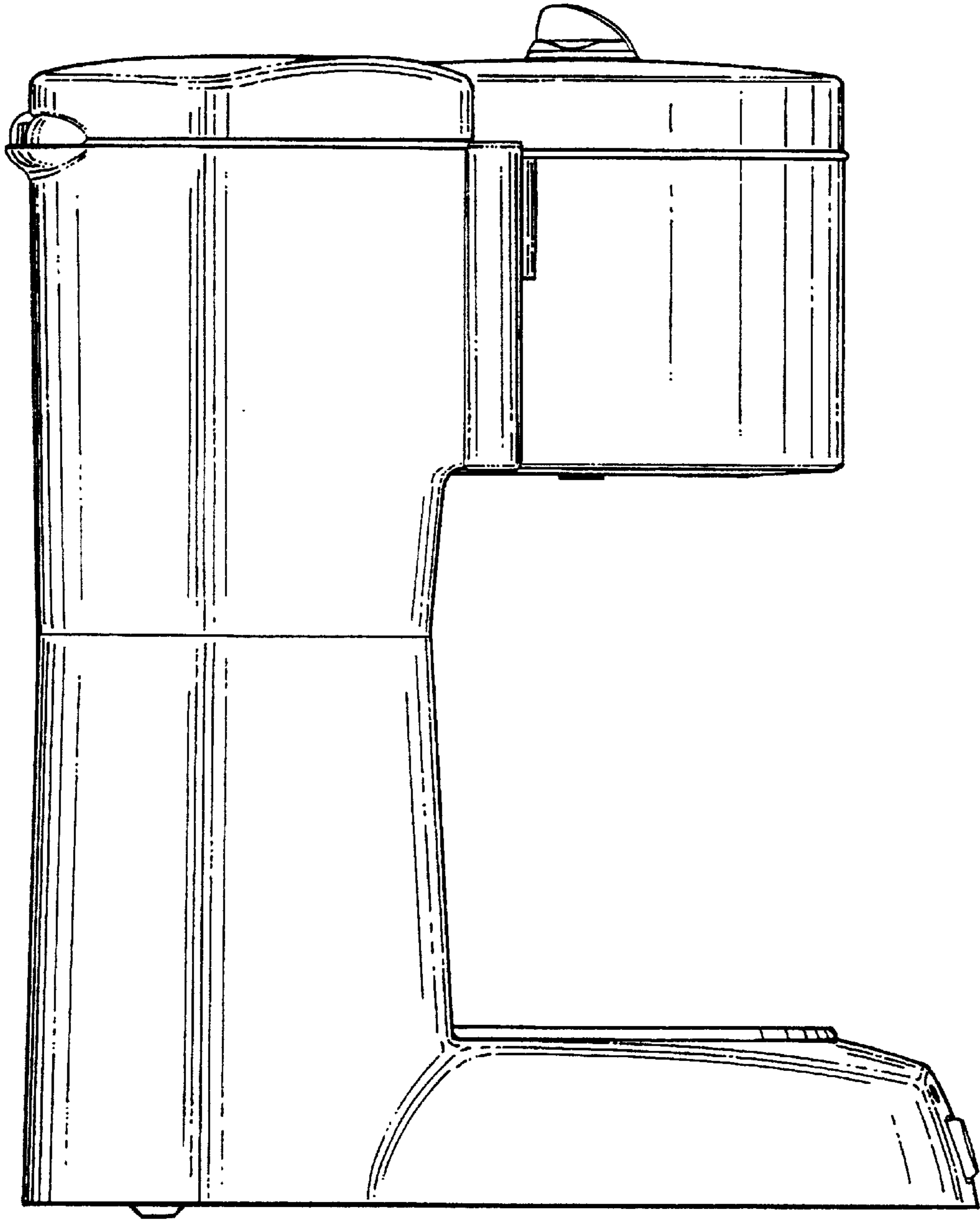


Fig. 18

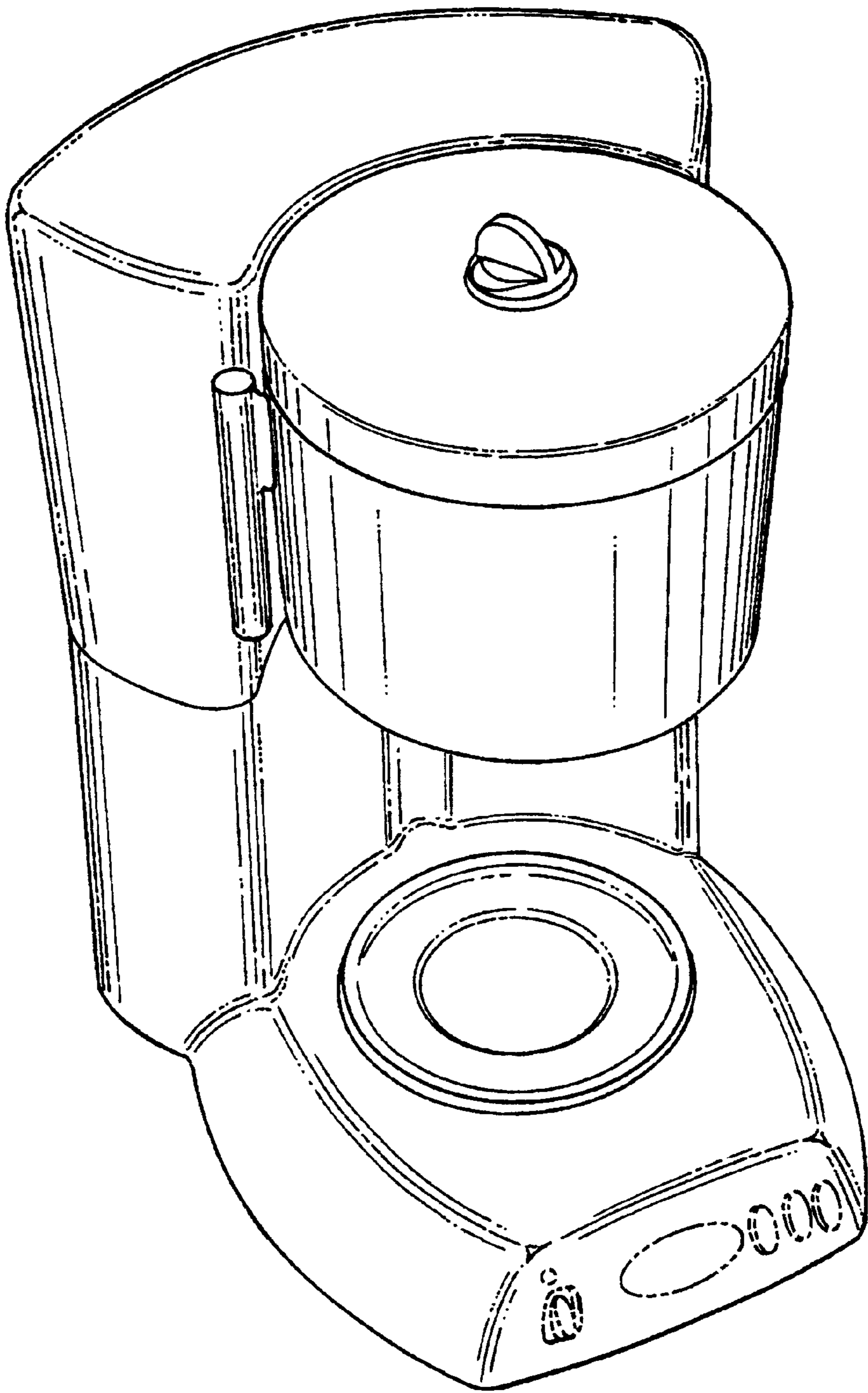


Fig. 19

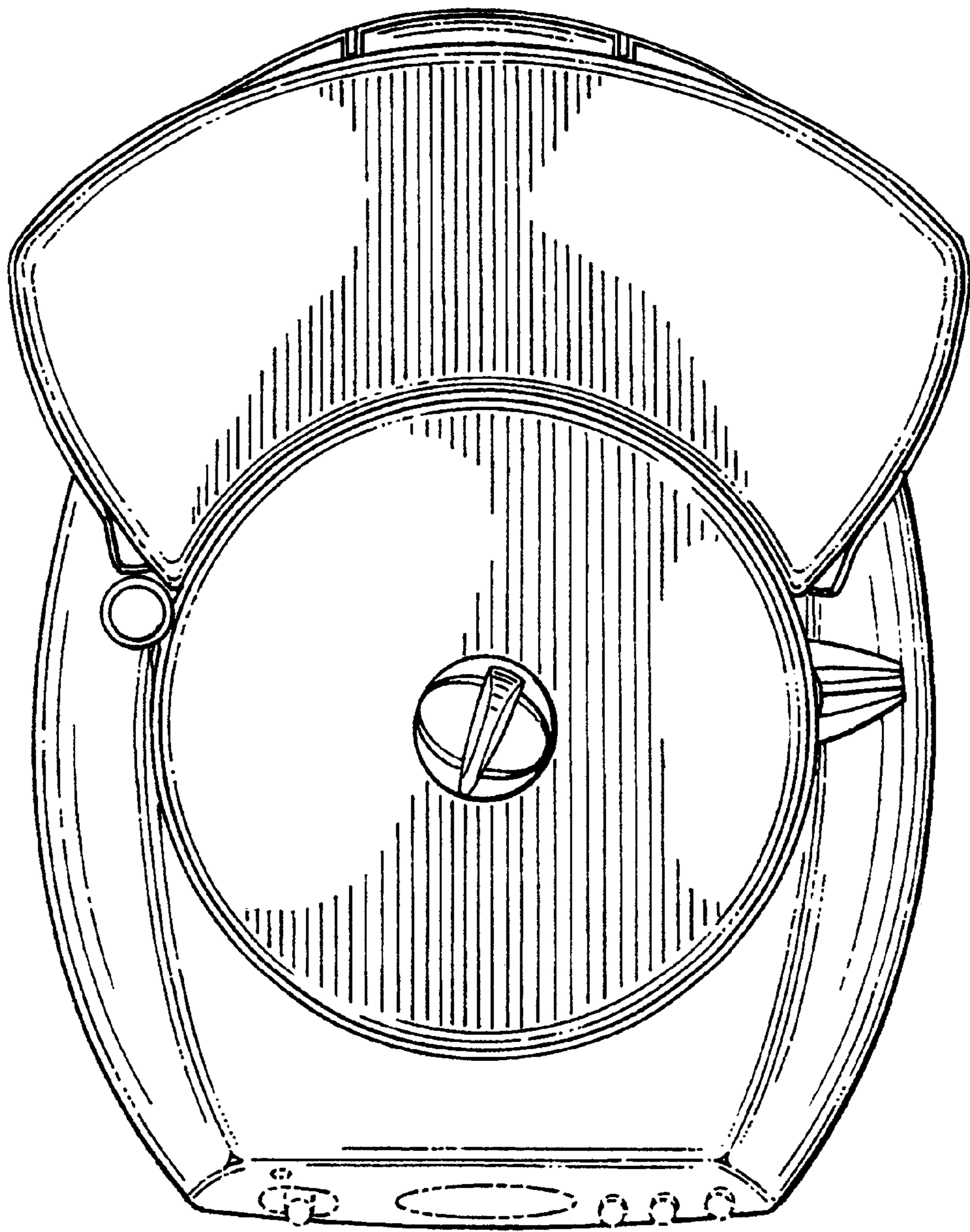


Fig. 20

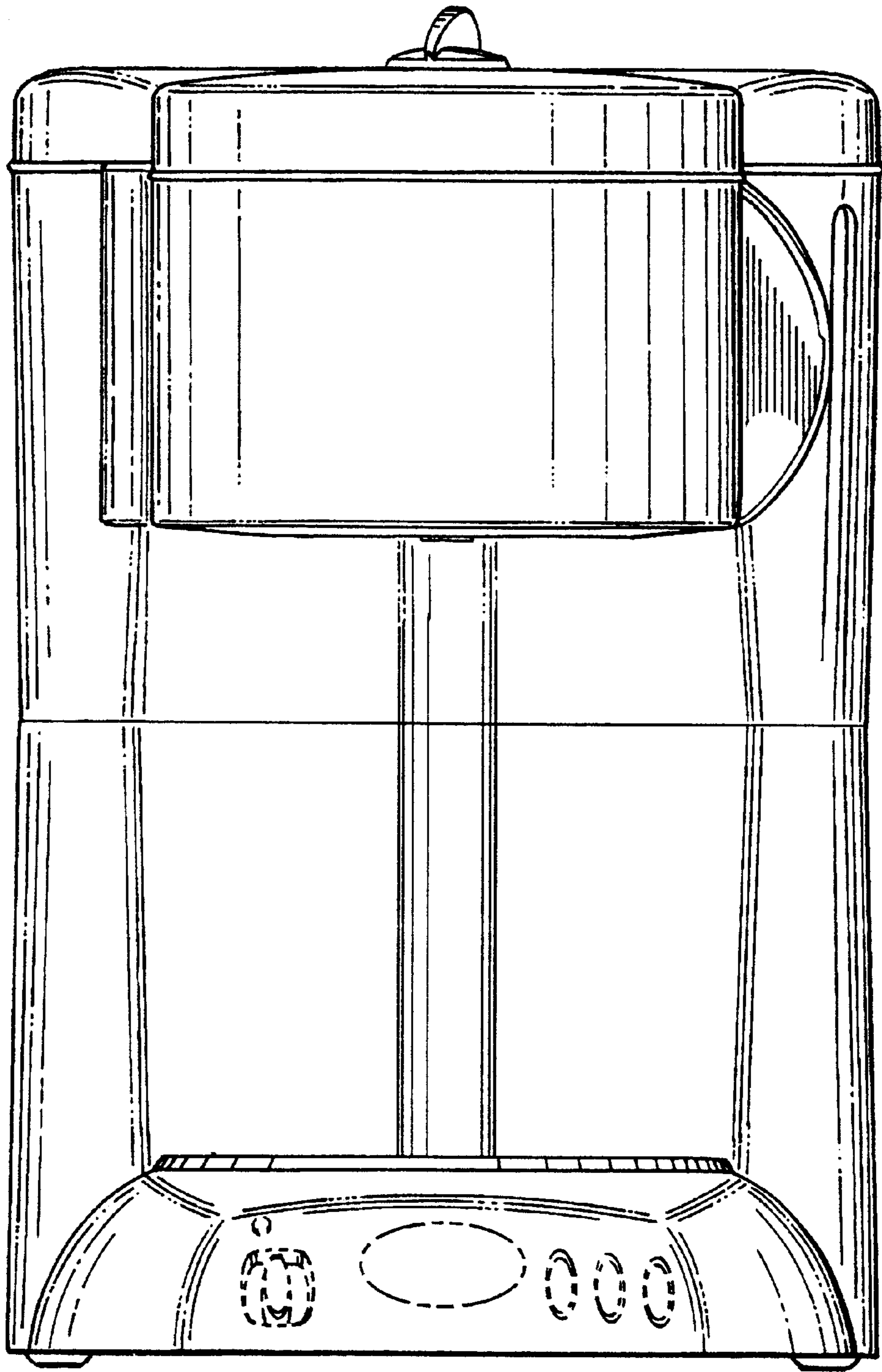


Fig. 21

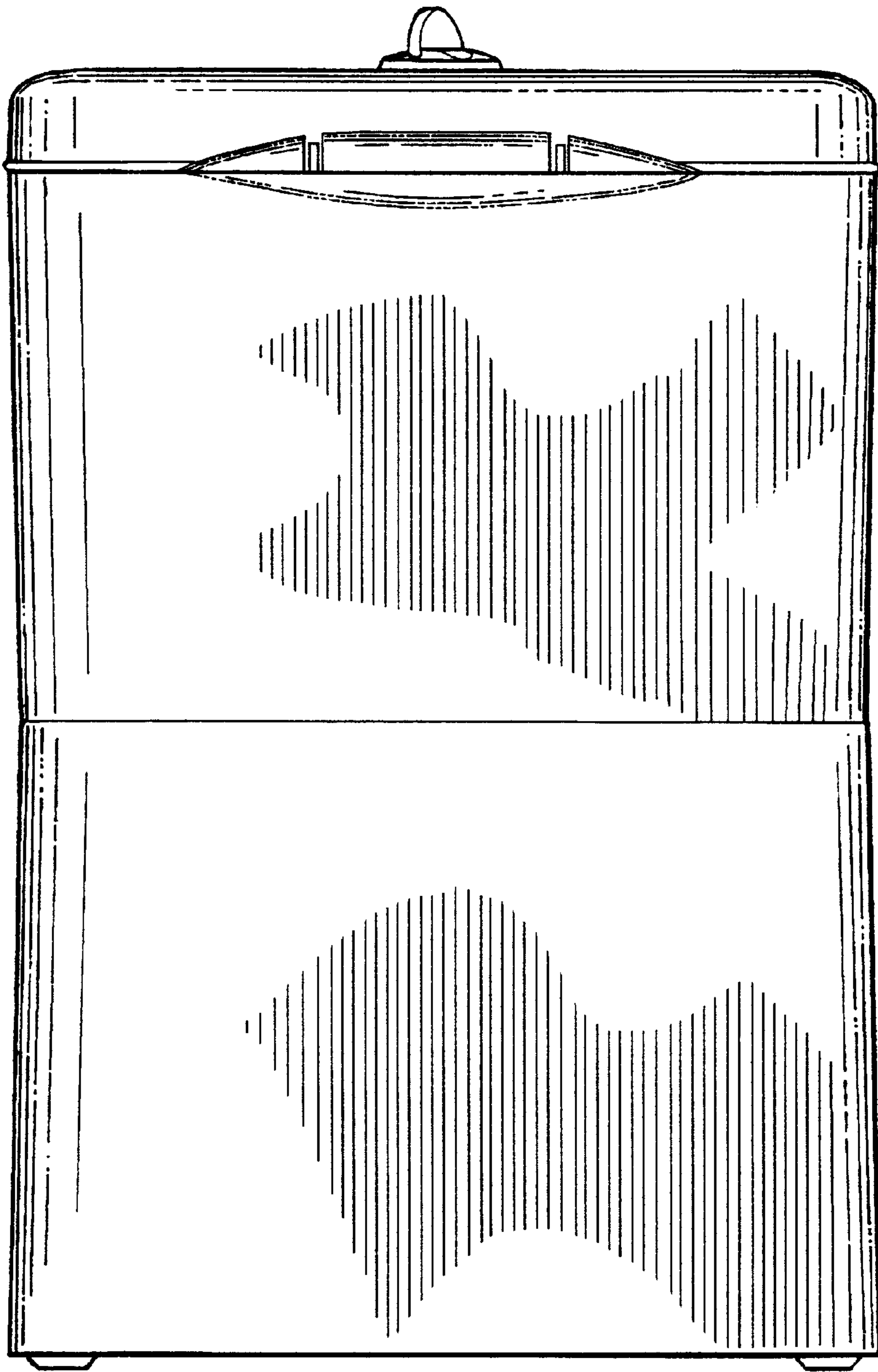


Fig. 22

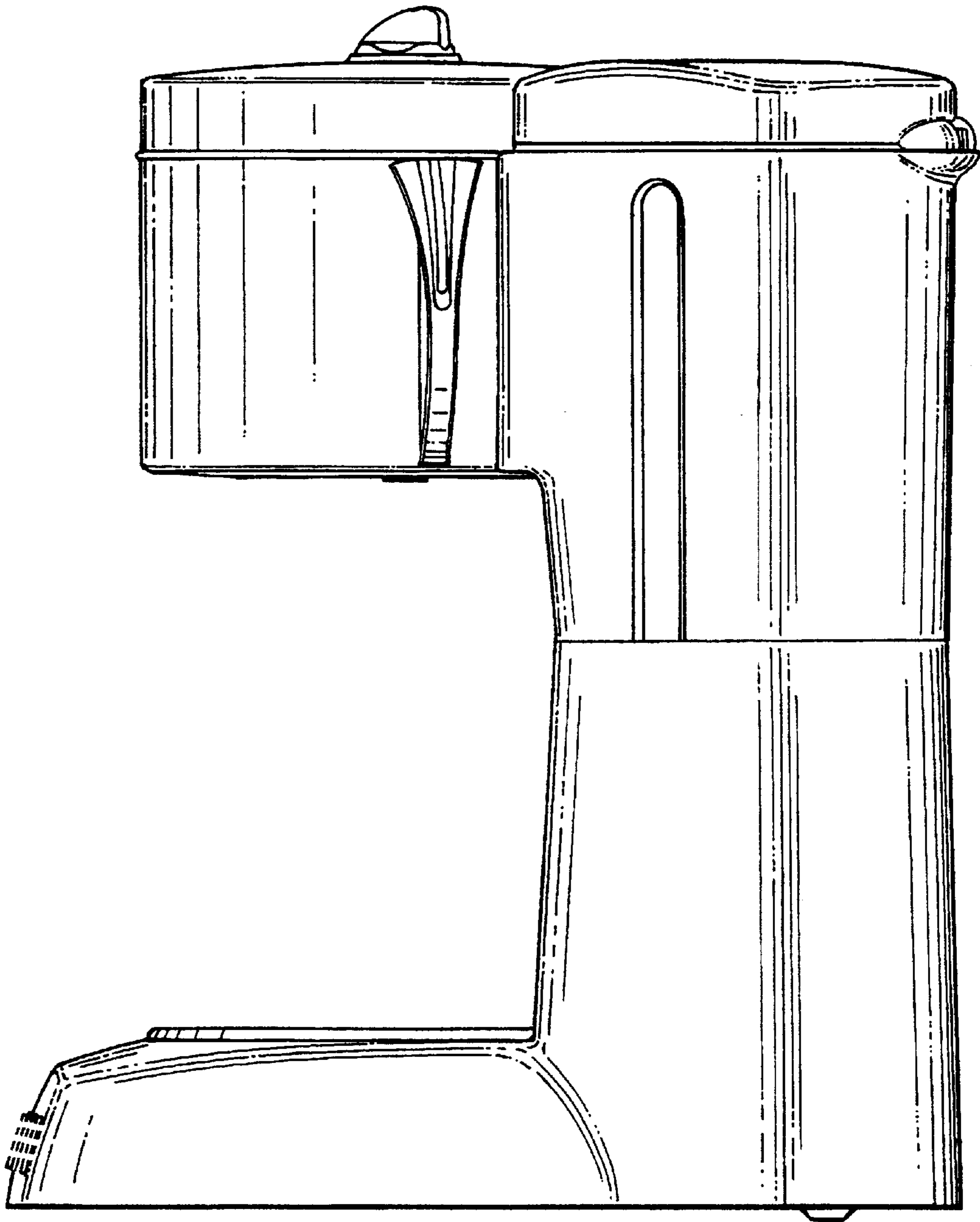


Fig. 23

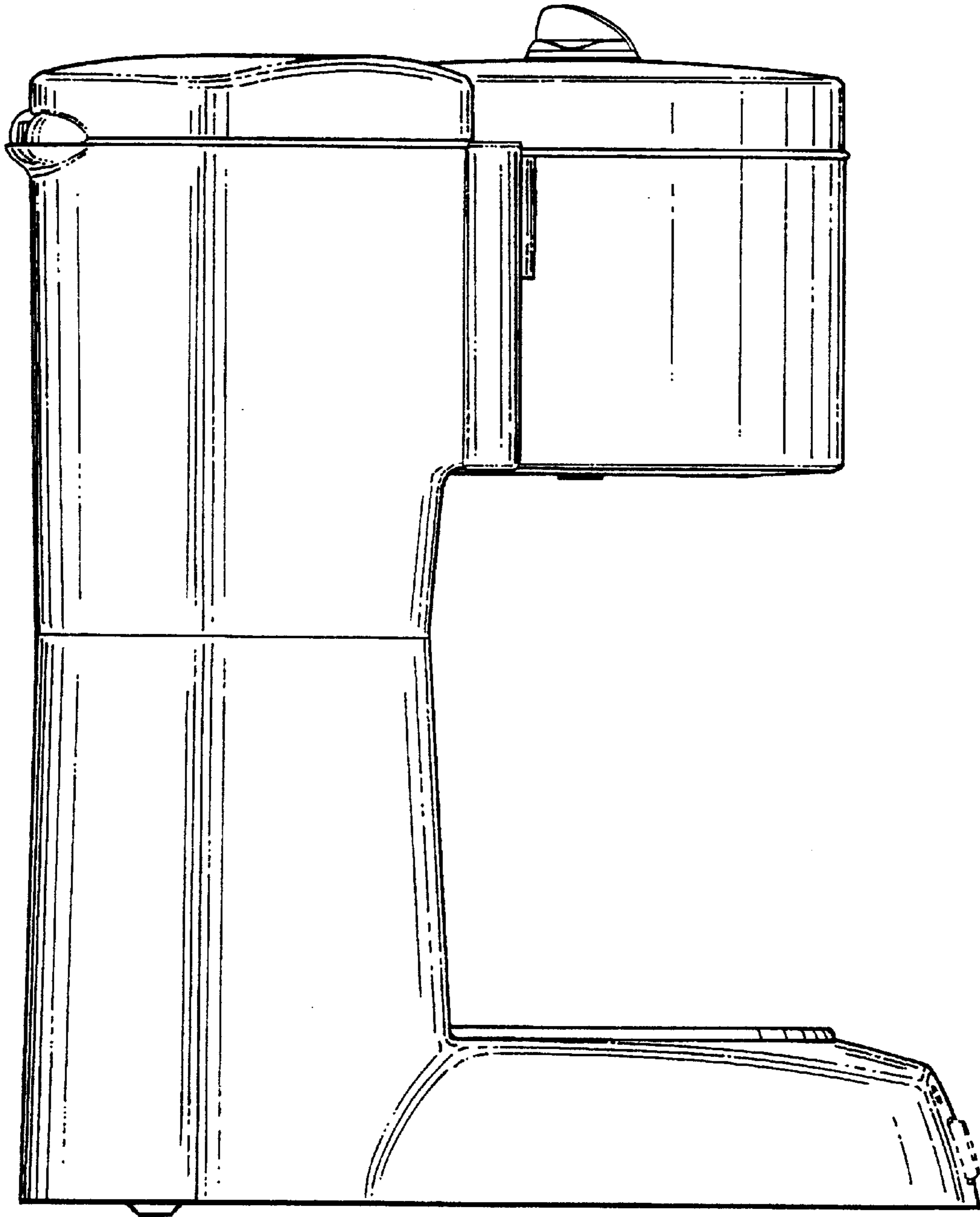


Fig. 24

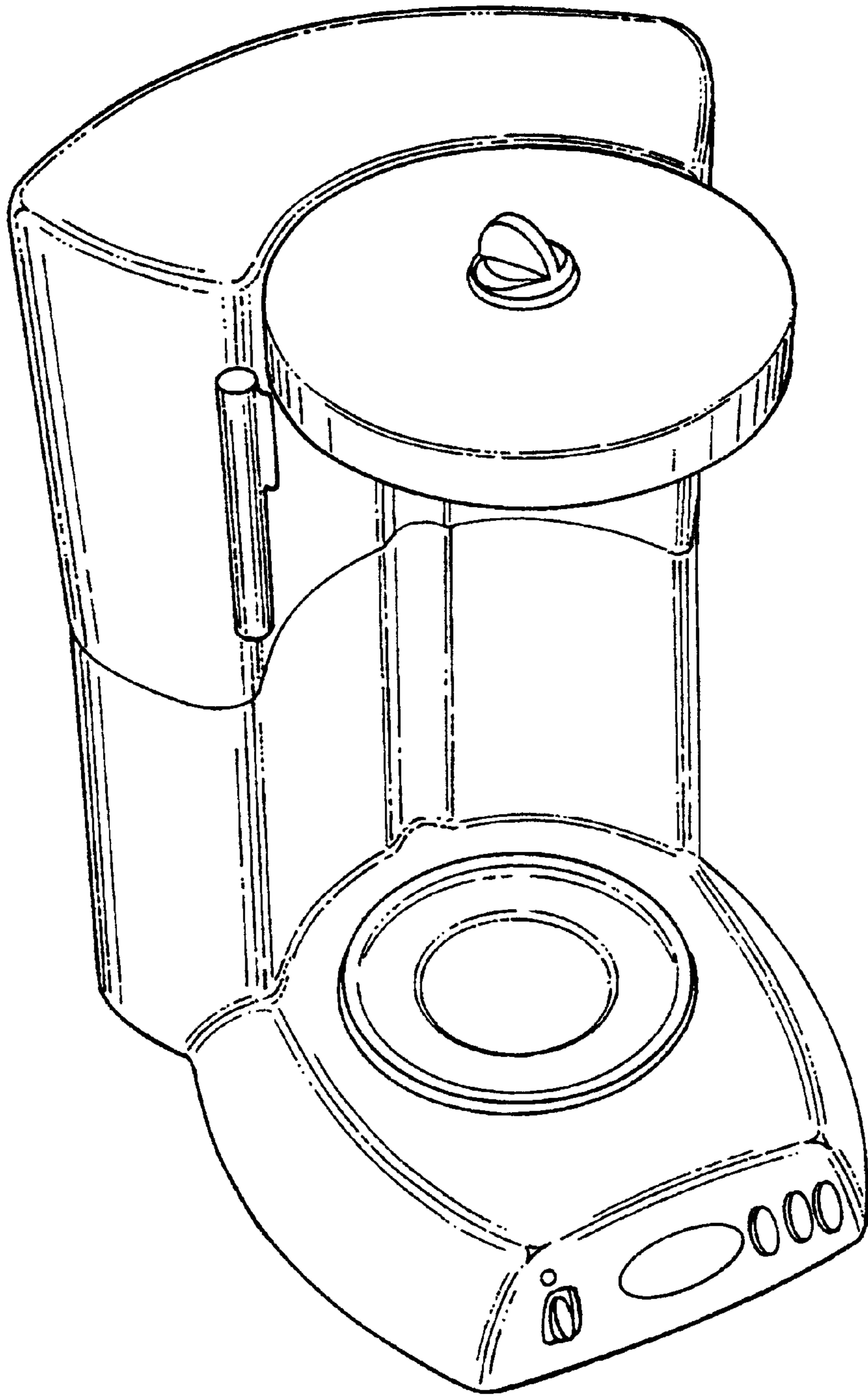


Fig. 25

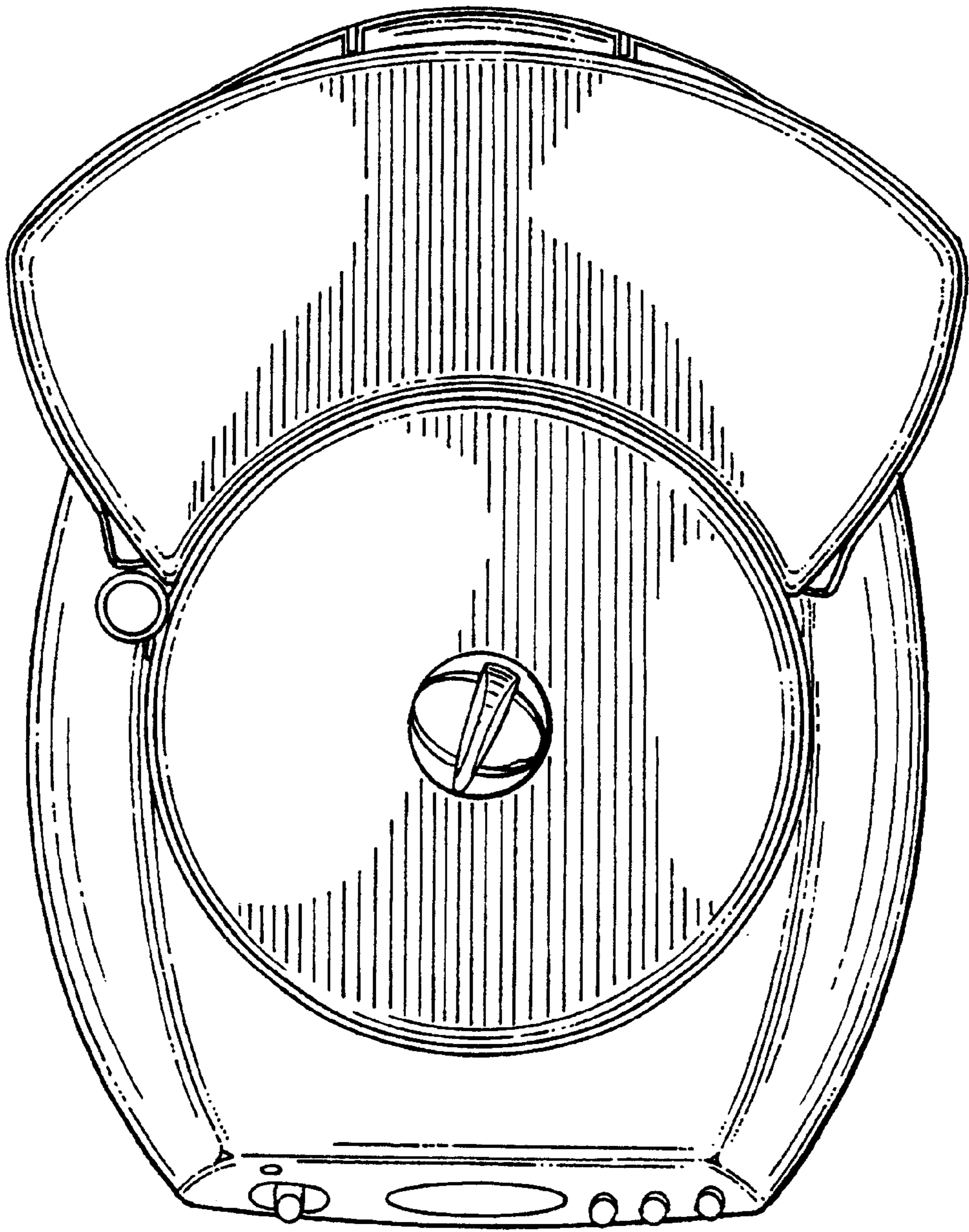


Fig. 26

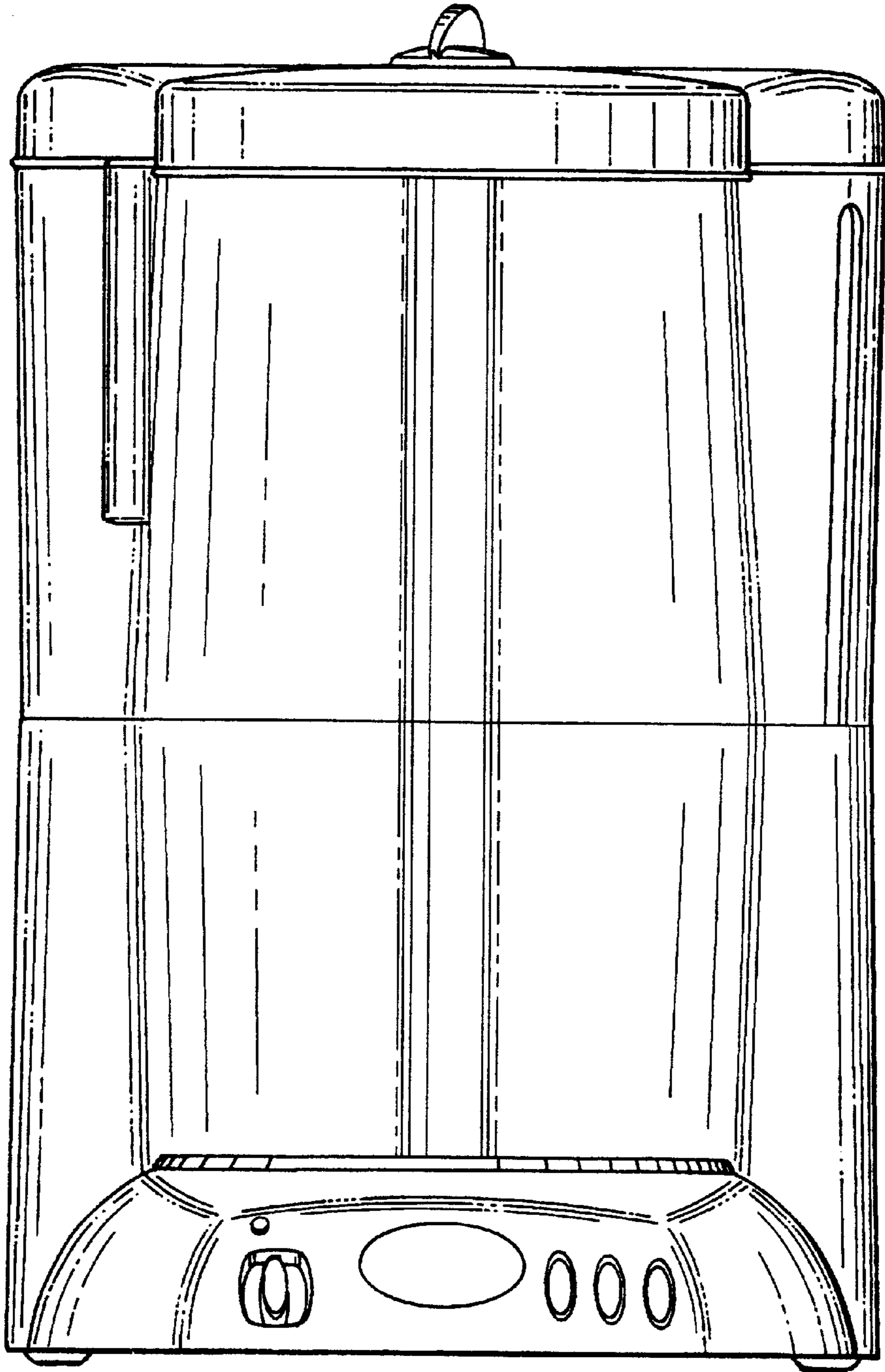


Fig. 27

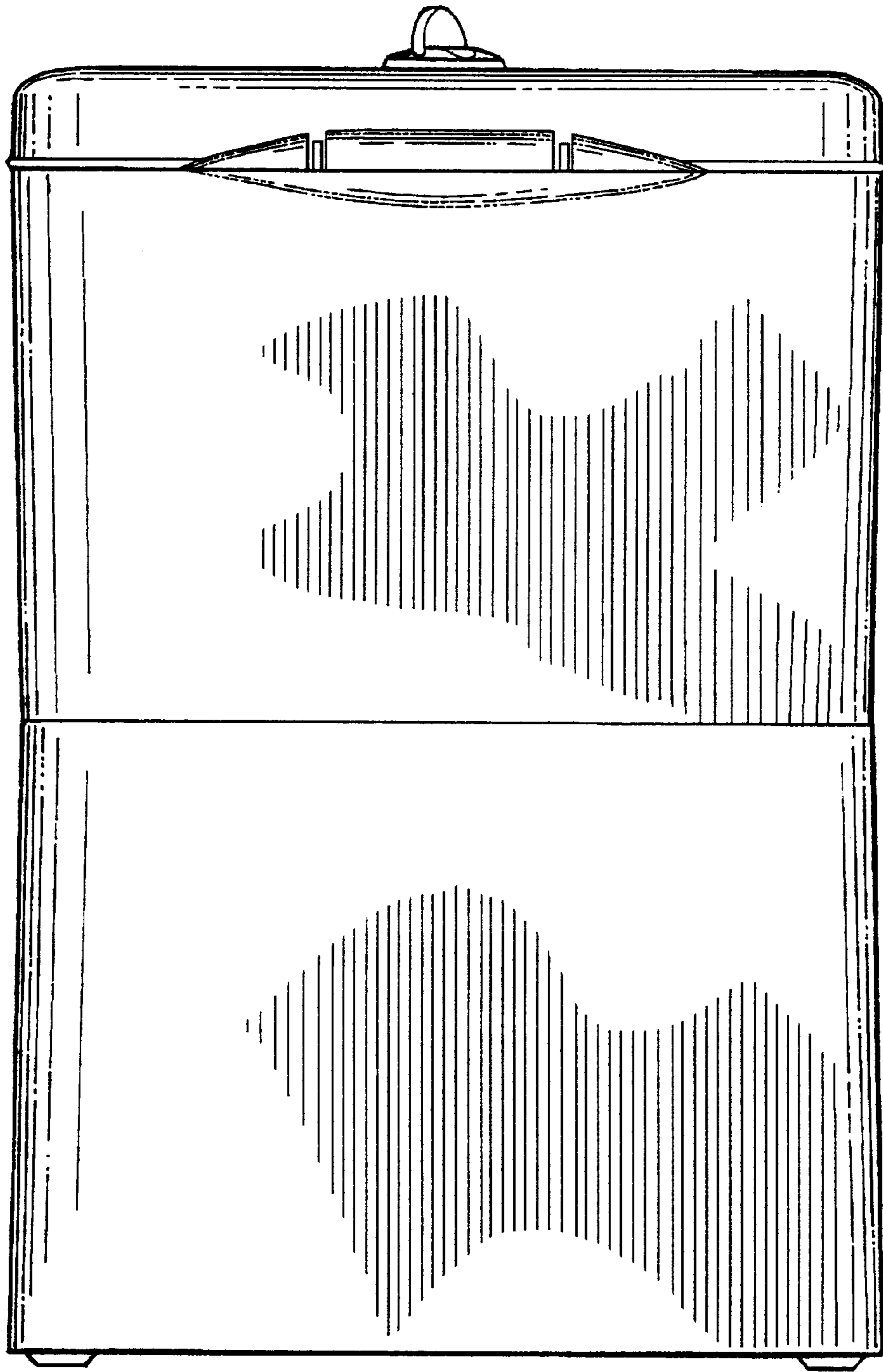


Fig. 28

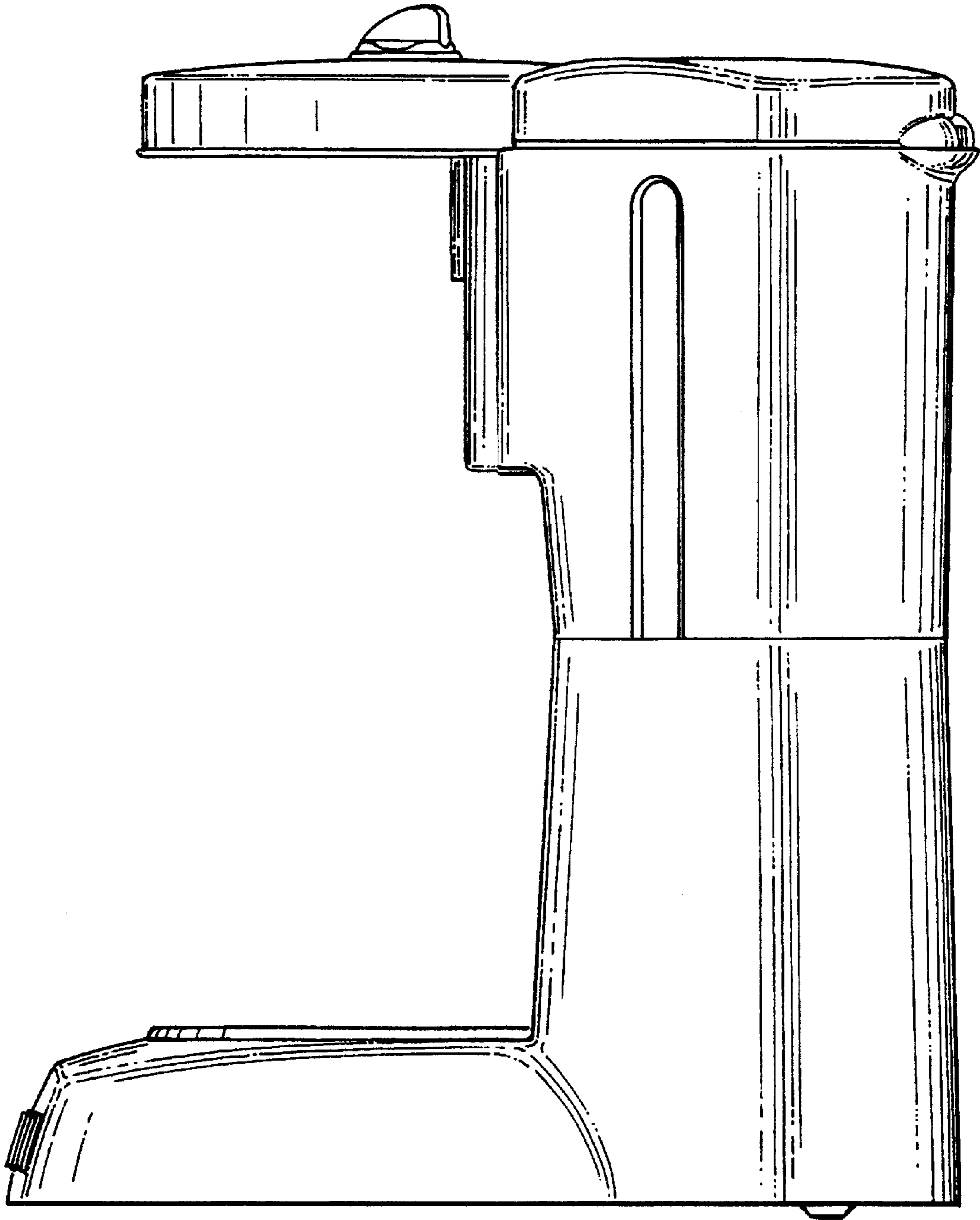


Fig. 29

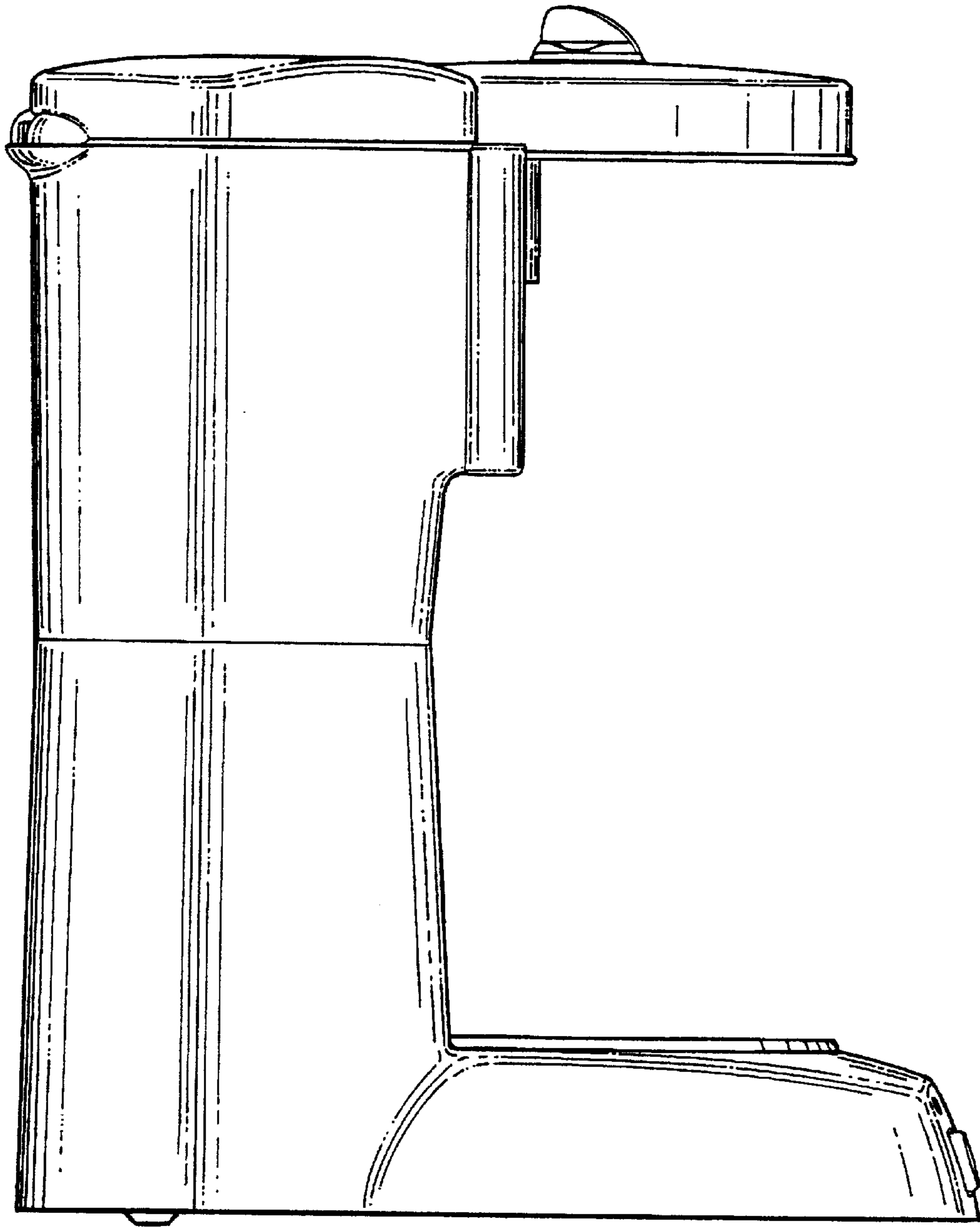


Fig. 30

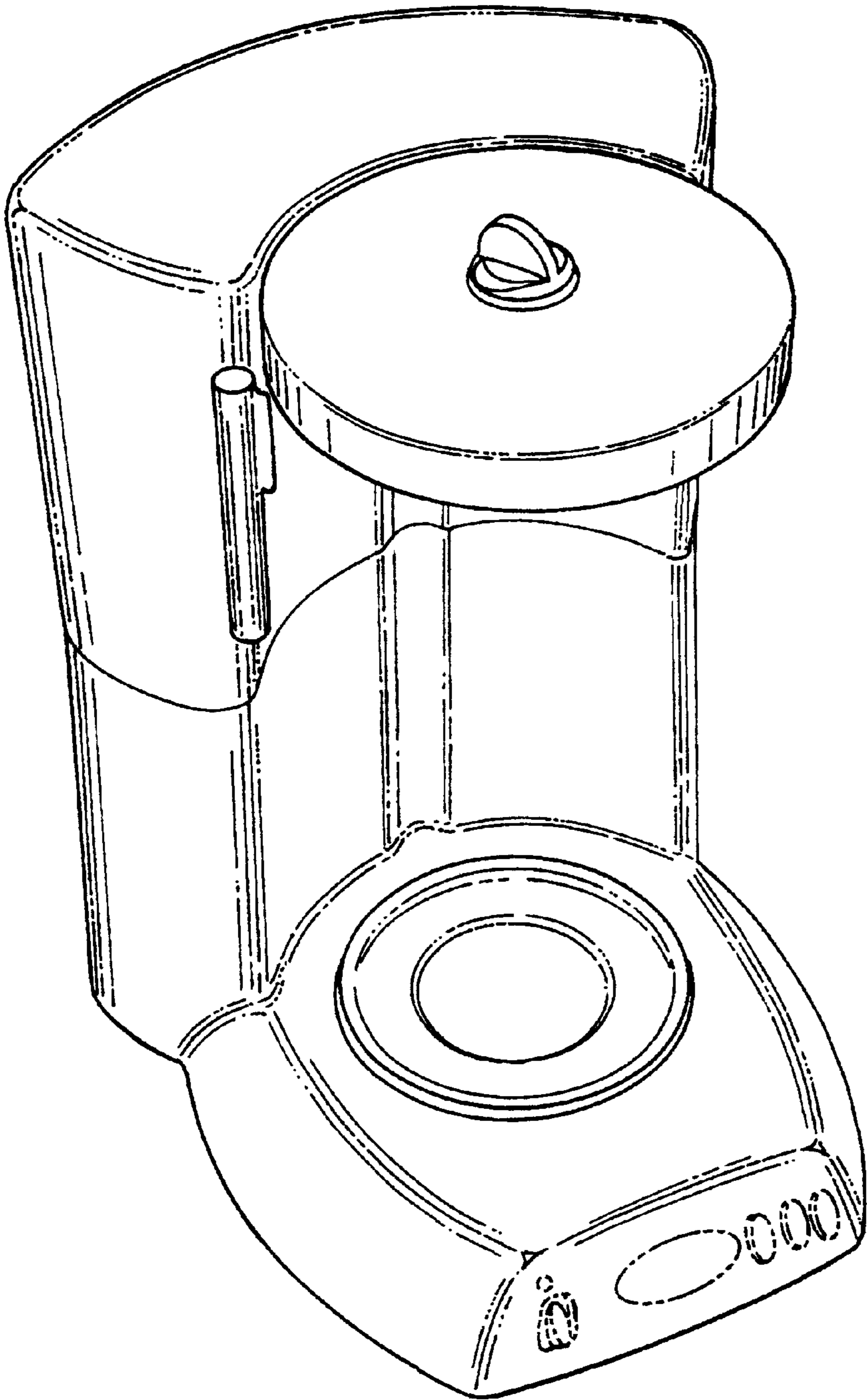


Fig. 31

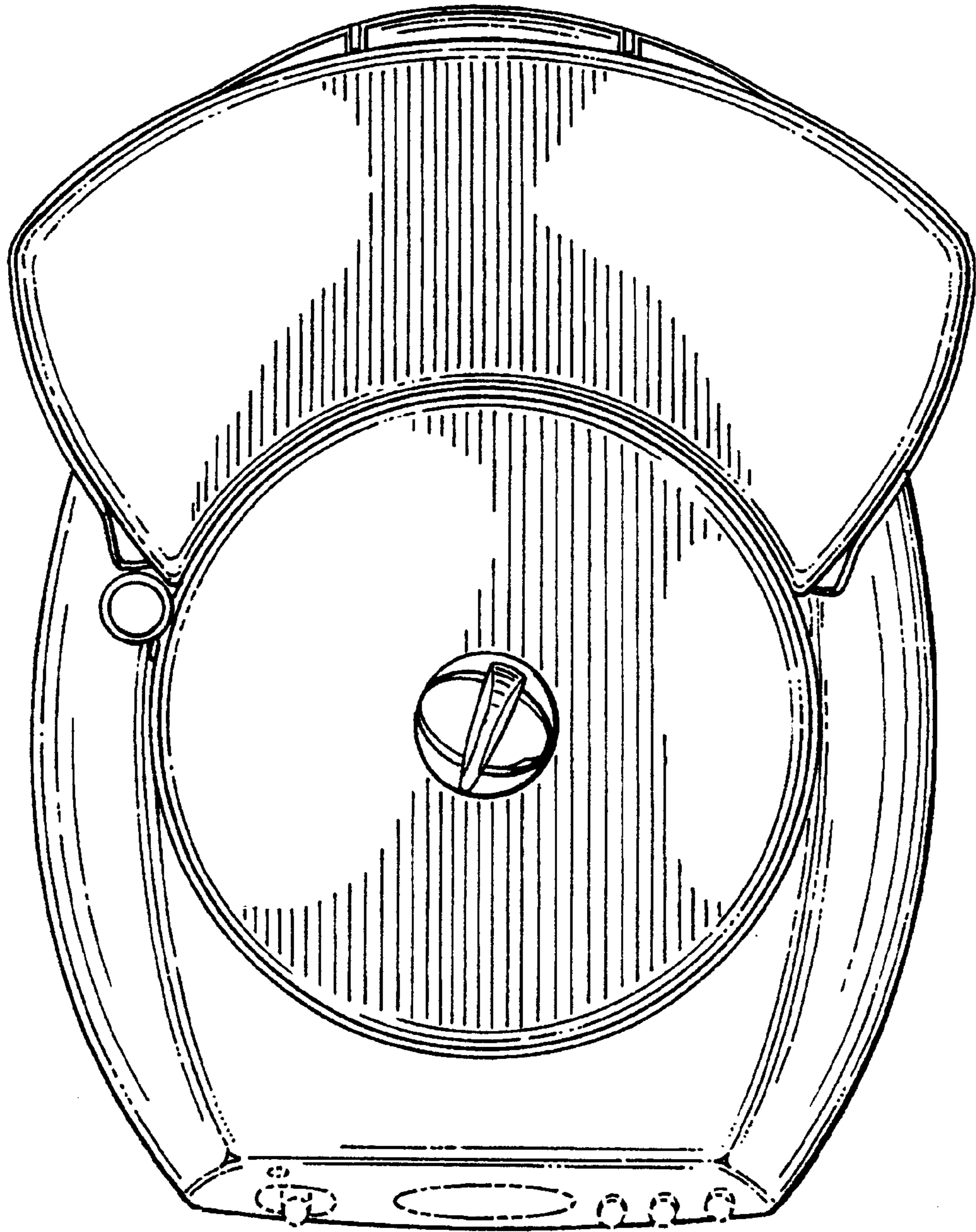


Fig. 32

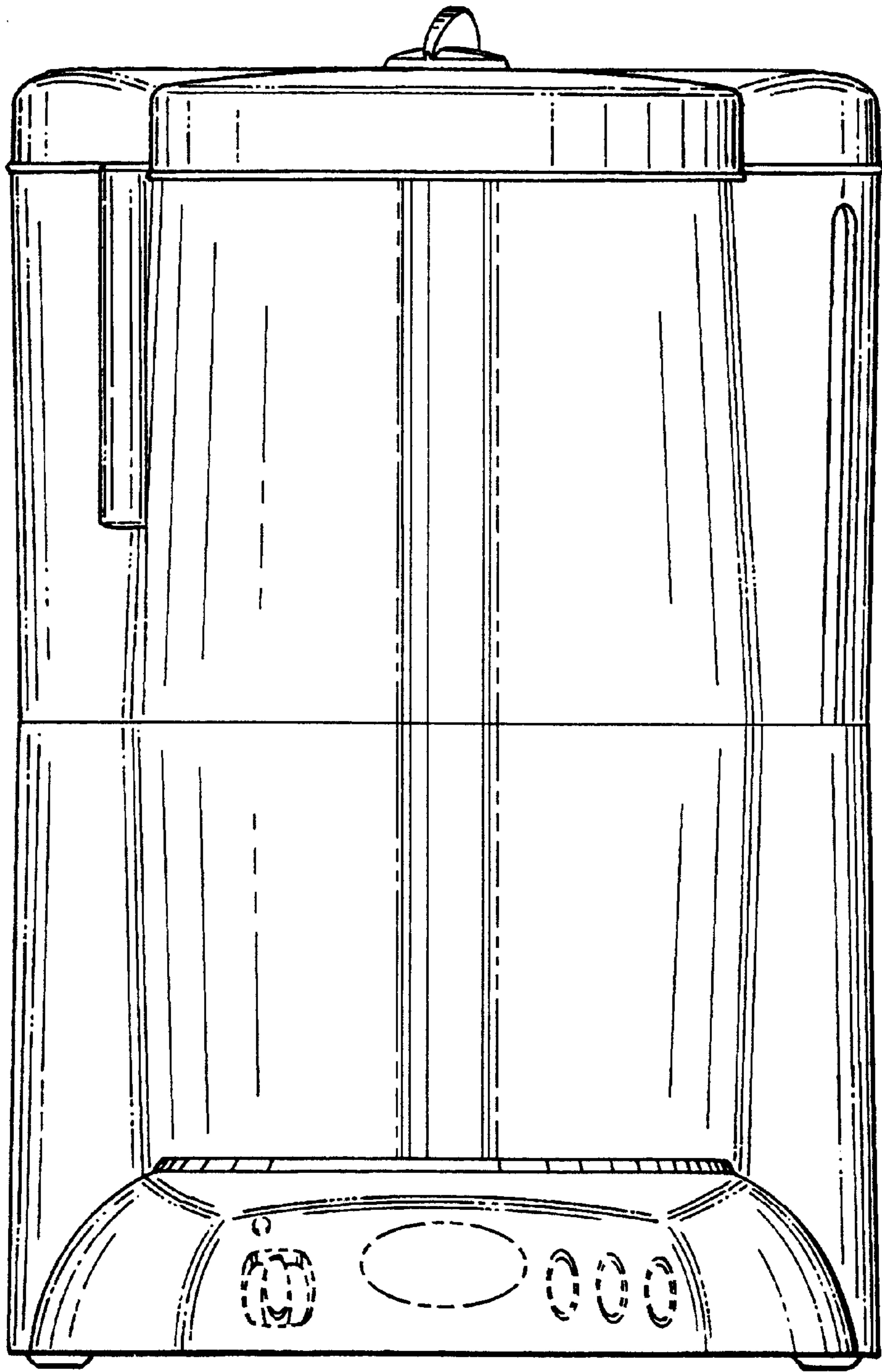


Fig. 33

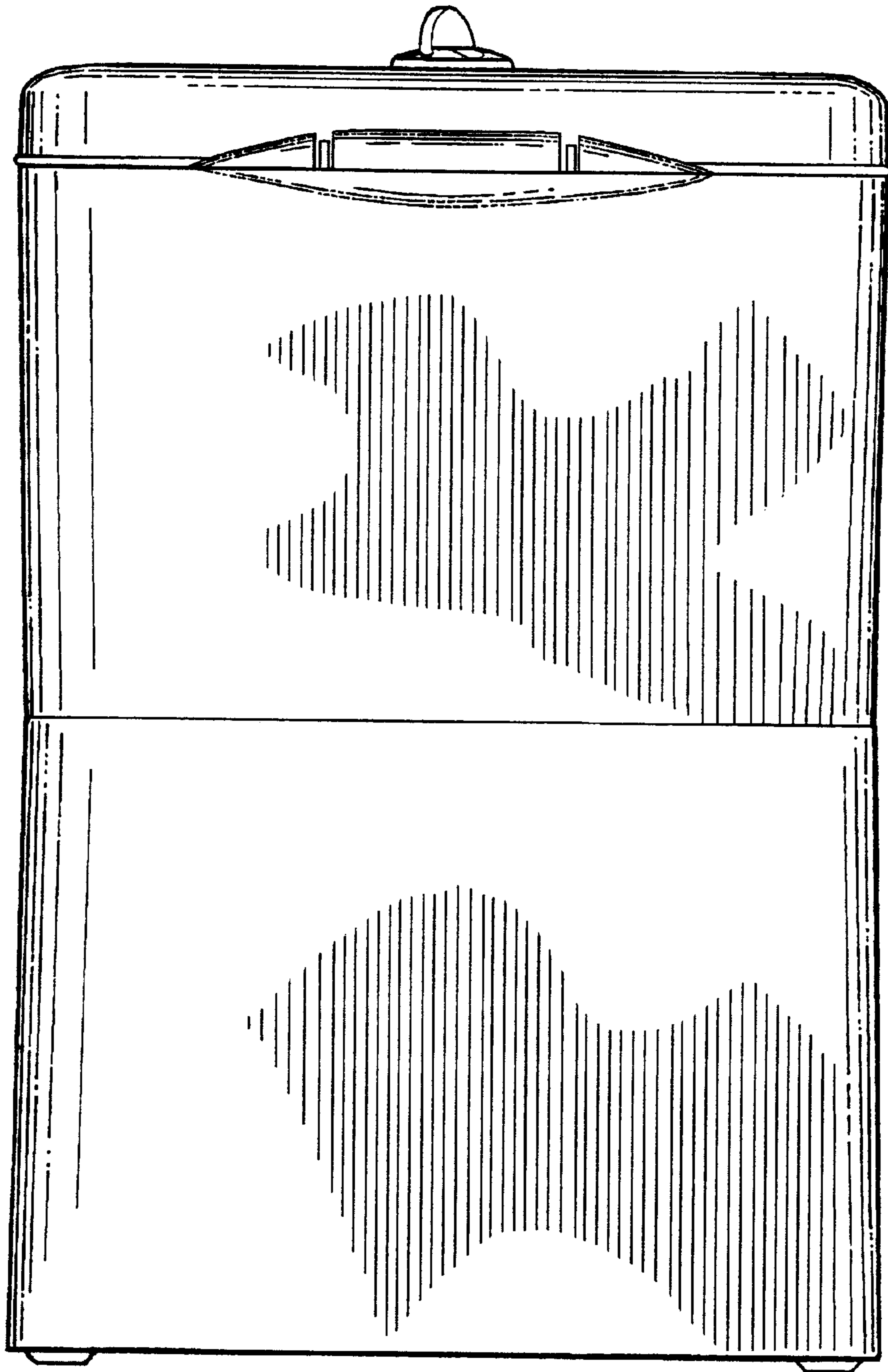


Fig. 34

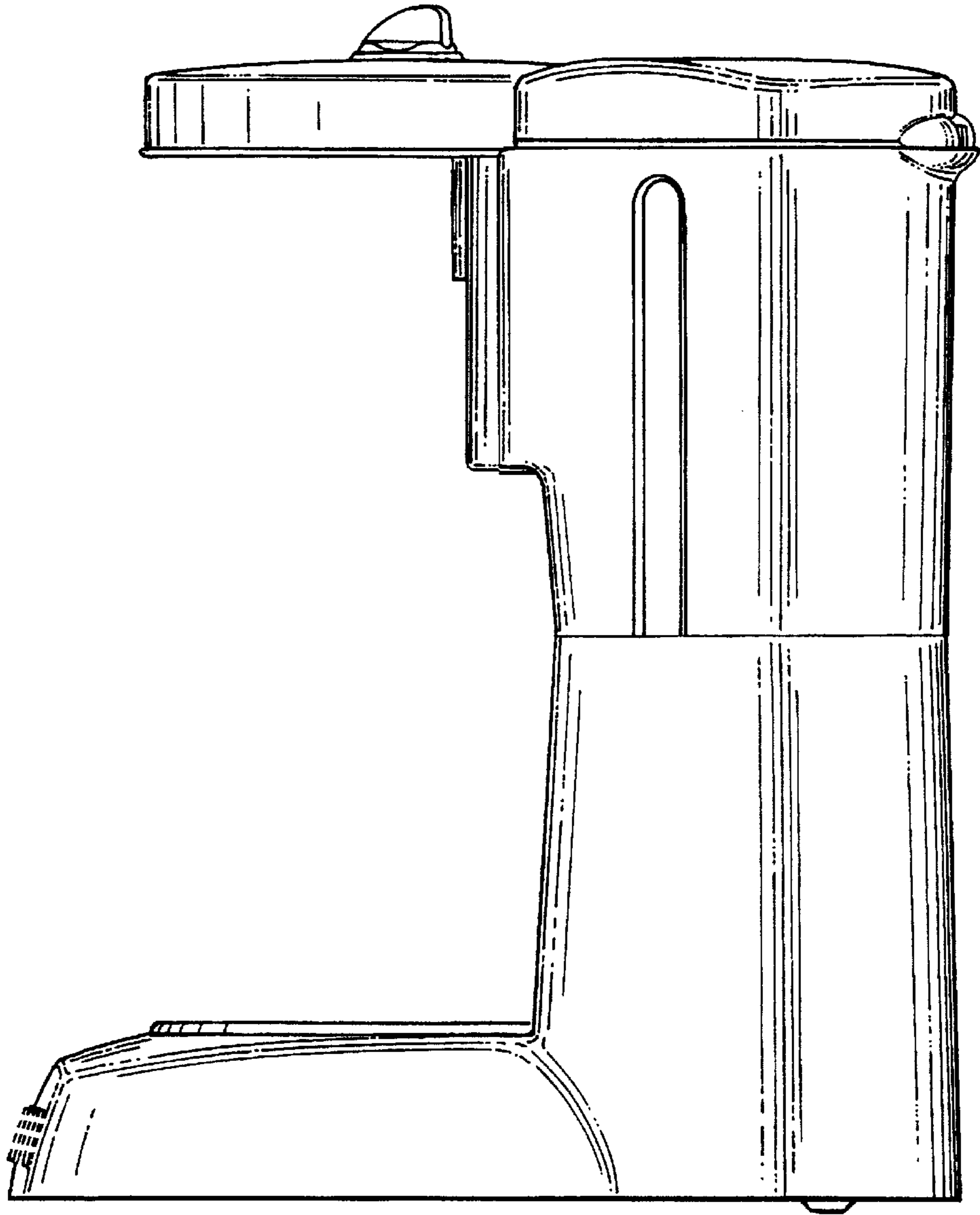


Fig. 35

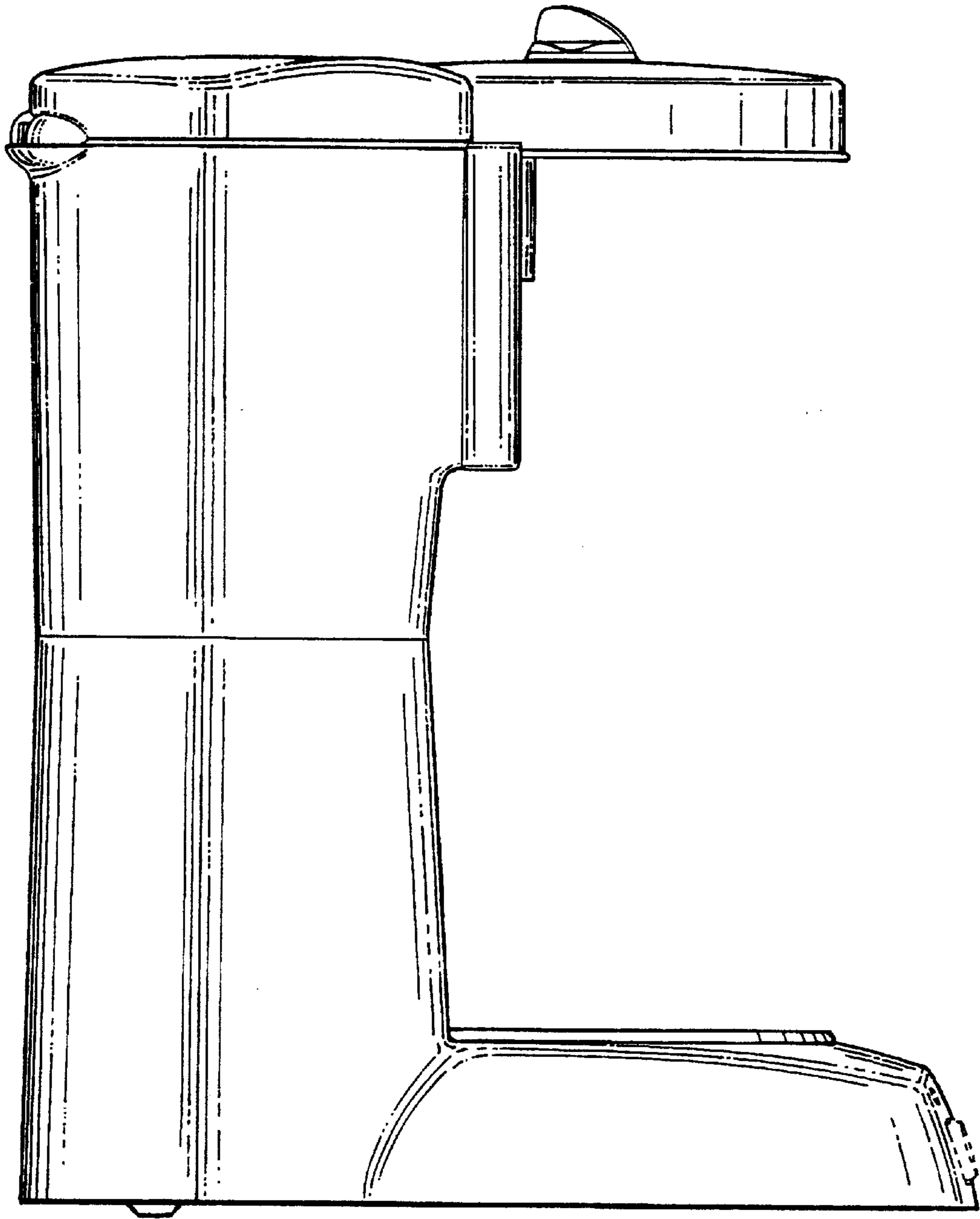


Fig. 36