



US00D446979B1

(12) **United States Design Patent**
Schultz et al.

(10) **Patent No.:** **US D446,979 S**

(45) **Date of Patent:** **** Aug. 28, 2001**

(54) **HOLDER FOR PERFORATED PAPER ROLLS**

(76) Inventors: **Arthur N. Schultz; Judy A. Schultz,**
both of 4894 Highway 22, Lena, WI
(US) 54139

(*) Notice: This patent is subject to a terminal disclaimer.

(**) Term: **14 Years**

(21) Appl. No.: **29/090,051**

(22) Filed: **Jun. 29, 1998**

(51) **LOC (7) Cl.** **06-02**

(52) **U.S. Cl.** **D6/522**

(58) **Field of Search** D6/518-523; 211/16,
211/60.1; 242/55.42, 55.54, 56.2; 225/77

(56) **References Cited**

U.S. PATENT DOCUMENTS

| | | | | | |
|------------|---|---------|-----------|-------|-----------|
| D. 284,152 | * | 6/1986 | Jerhammar | | D6/522 |
| D. 308,781 | | 6/1990 | Mintz | | D6/523 |
| D. 385,446 | | 10/1997 | Kerserica | | D6/523 |
| 2,518,328 | * | 8/1950 | Janonis | | D6/522 |
| 4,030,676 | | 6/1977 | Bardsley | | 242/55.54 |
| 4,487,376 | | 12/1984 | Compton | | 242/55.54 |

| | | | | |
|-----------|---------|-----------------|-------|-----------|
| 4,824,038 | 4/1989 | Chandler | | 242/55.2 |
| 4,848,690 | 7/1989 | Lemoine | | 242/55.54 |
| 5,054,676 | 10/1991 | Ban | | 225/42 |
| 5,464,170 | 11/1995 | Mitchell et al. | | 242/598 |
| 5,570,938 | 11/1996 | Butler | | 312/45 |
| 5,653,403 | 8/1997 | Ritchey | | 242/597.5 |
| 5,718,404 | 2/1998 | Greer | | 248/309.2 |

* cited by examiner

Primary Examiner—Marcus A. Jackson

Assistant Examiner—B. Cole

(74) *Attorney, Agent, or Firm*—John D. Gugliotta

(57) **CLAIM**

The ornamental design for a holder for perforated paper rolls, as shown and described.

DESCRIPTION

FIG. 1 is a perspective view of a holder for perforated paper rolls showing my new design;

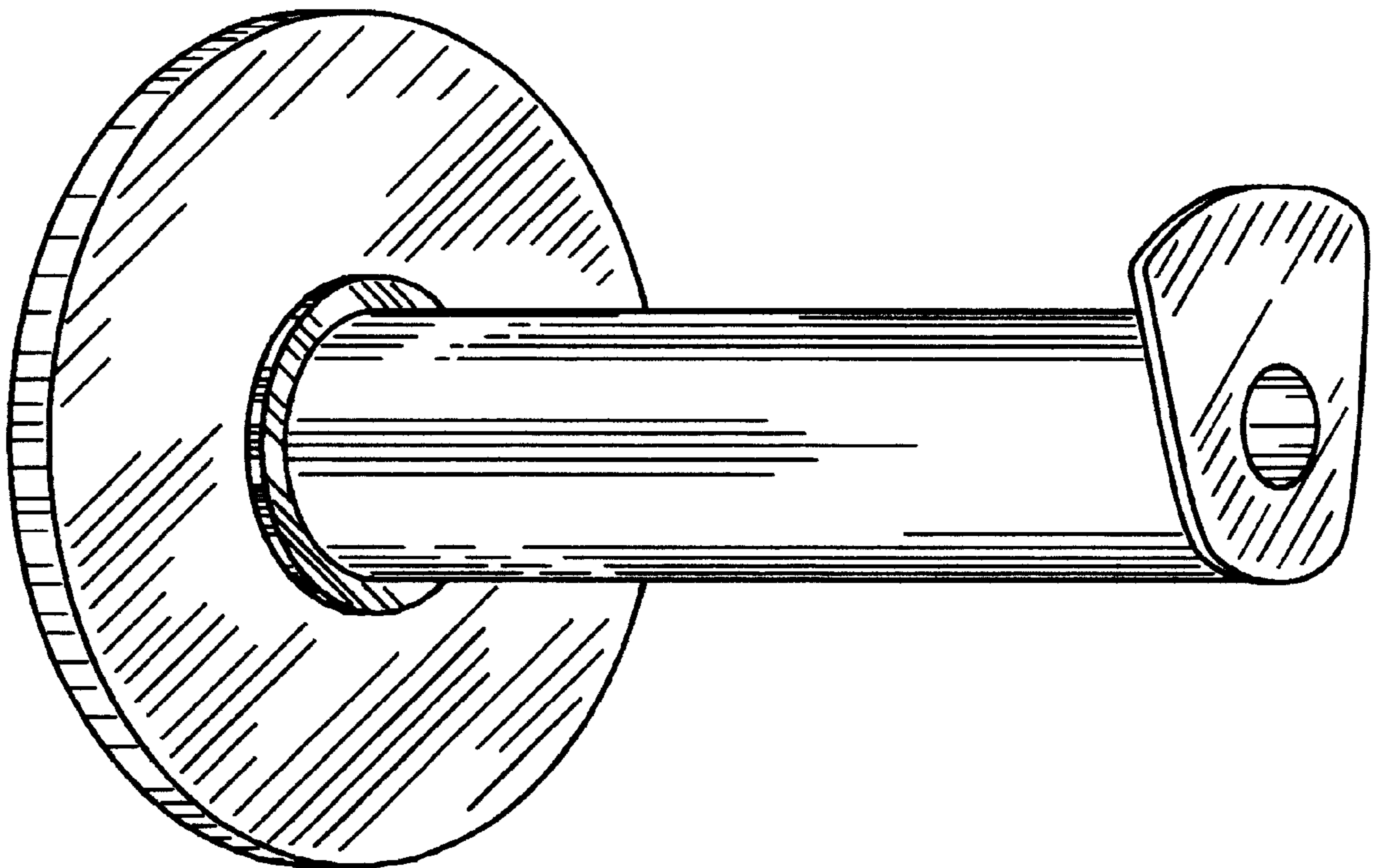
FIG. 2 is a side view thereof, the opposite side being a mirror image;

FIG. 3 is a top view thereof;

FIG. 4 is a front elevational view thereof; and,

FIG. 5 is a rear elevational view thereof.

1 Claim, 3 Drawing Sheets



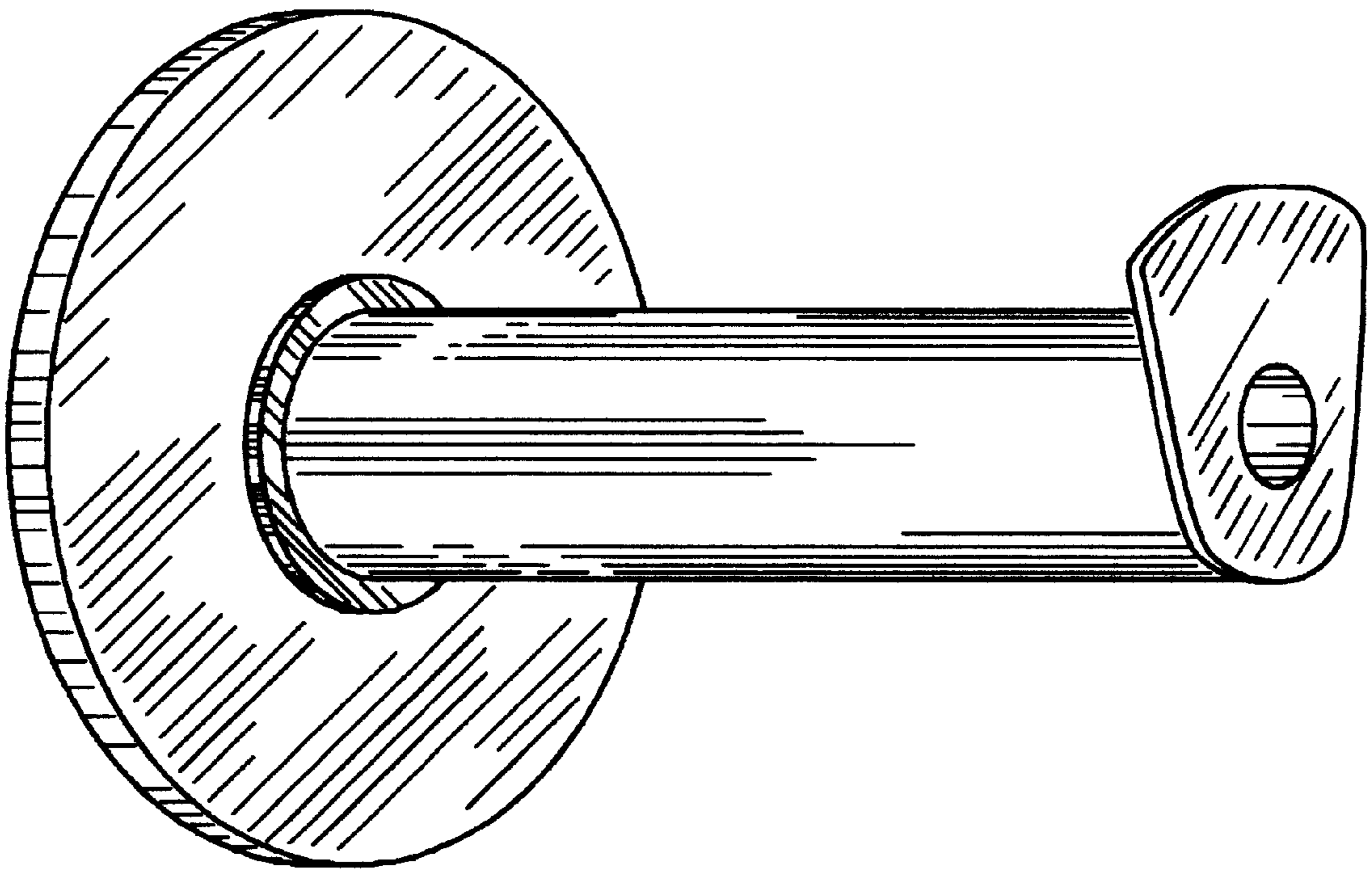


Figure 1

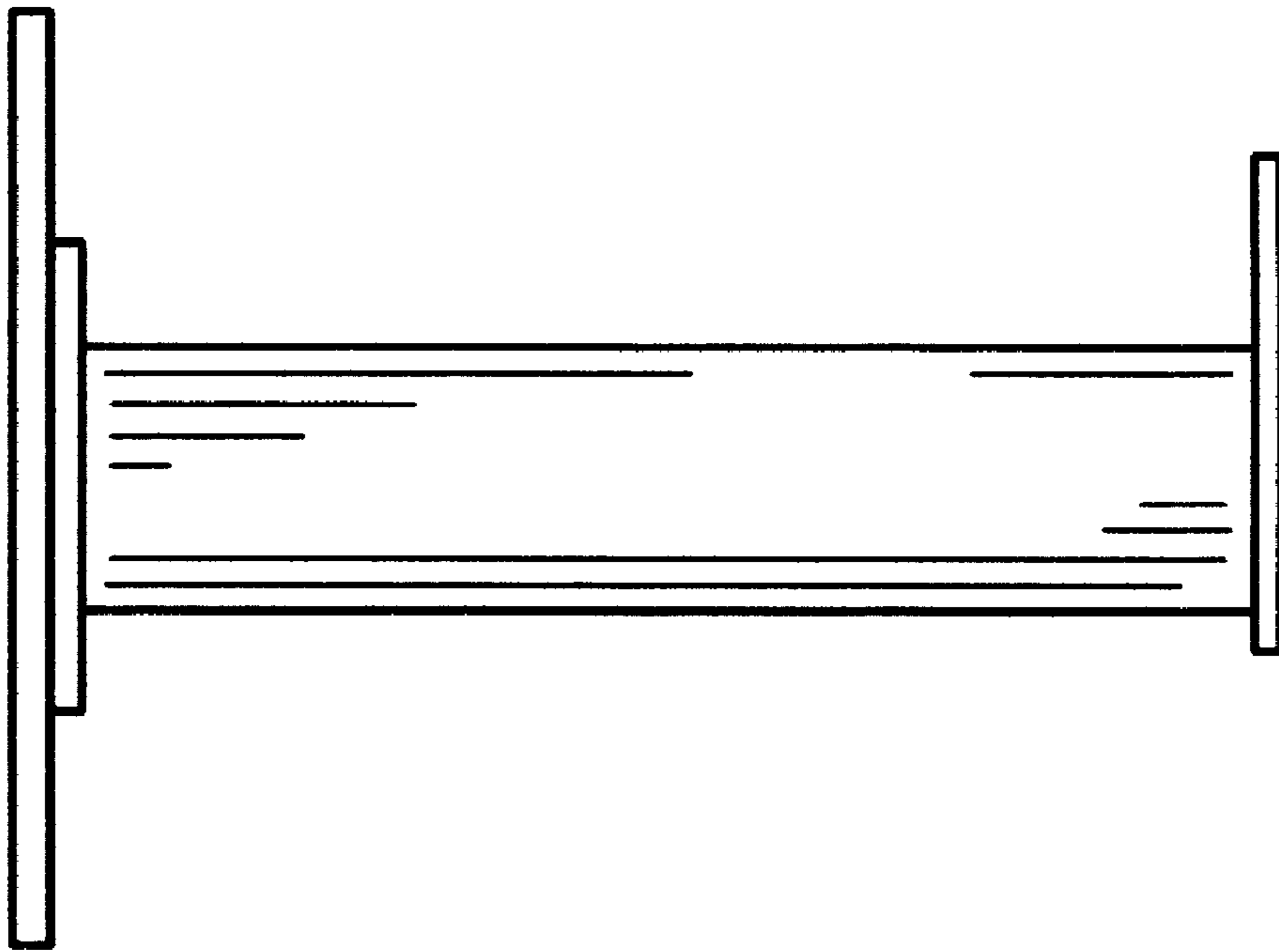


Figure 2

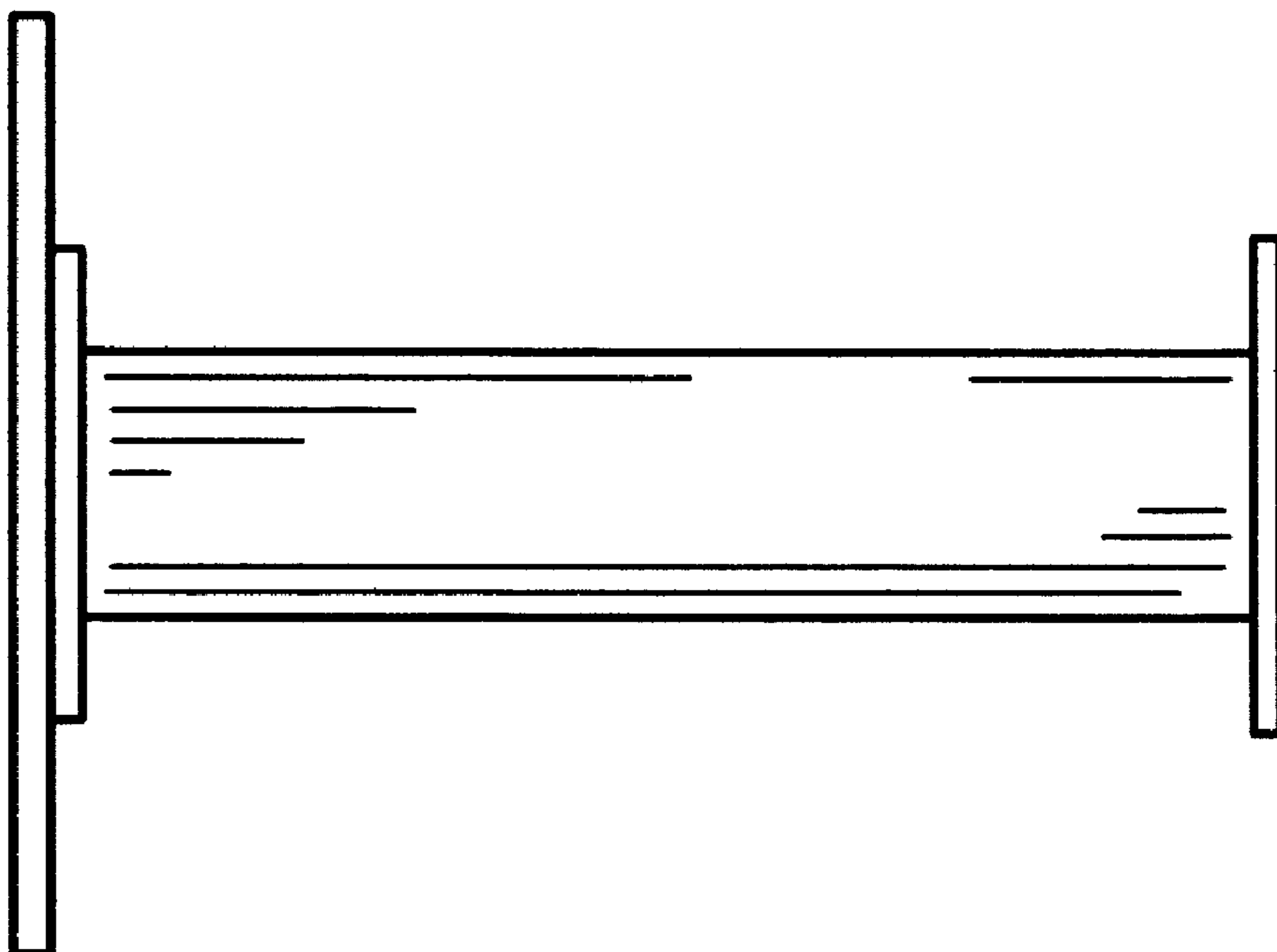


Figure 3

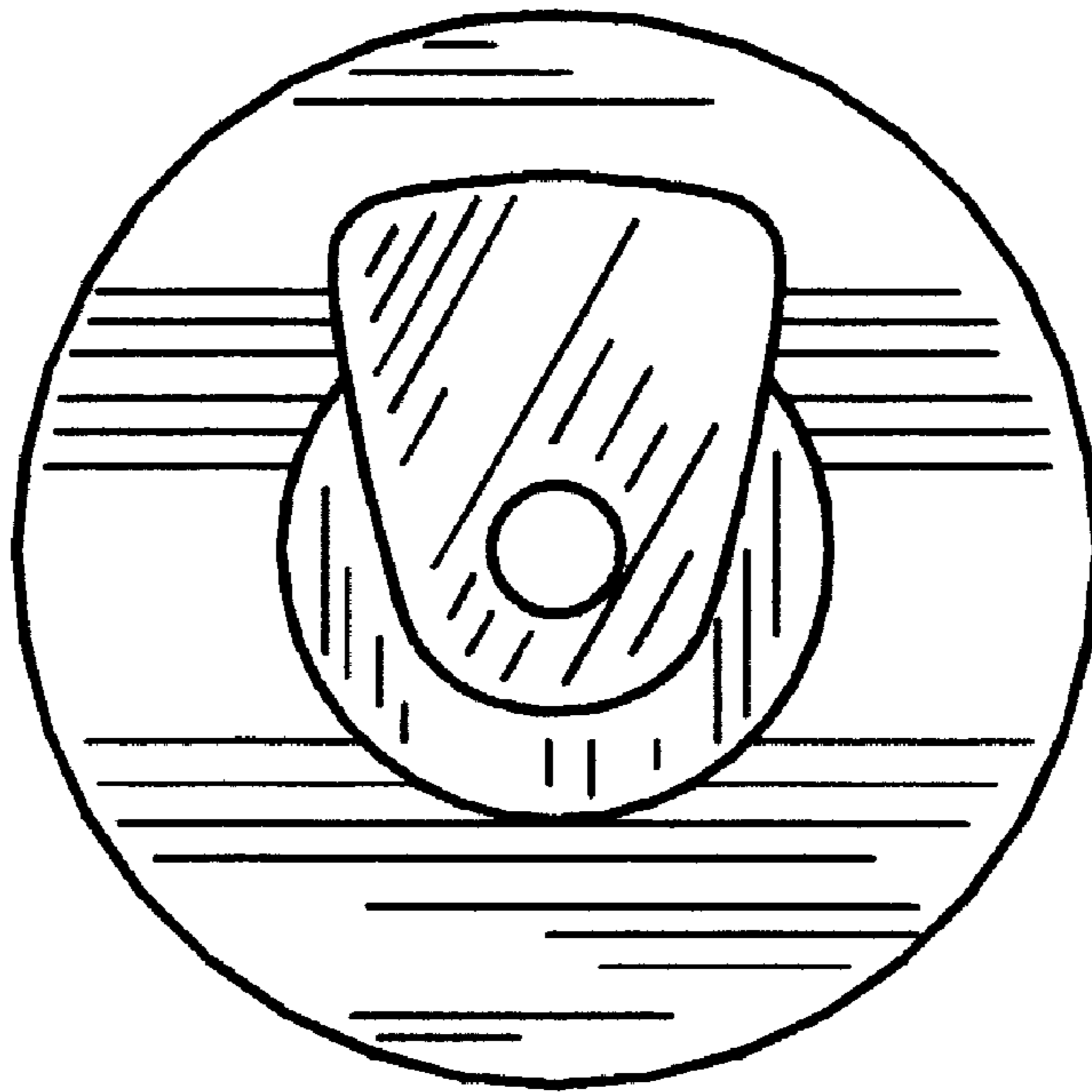


Figure 4

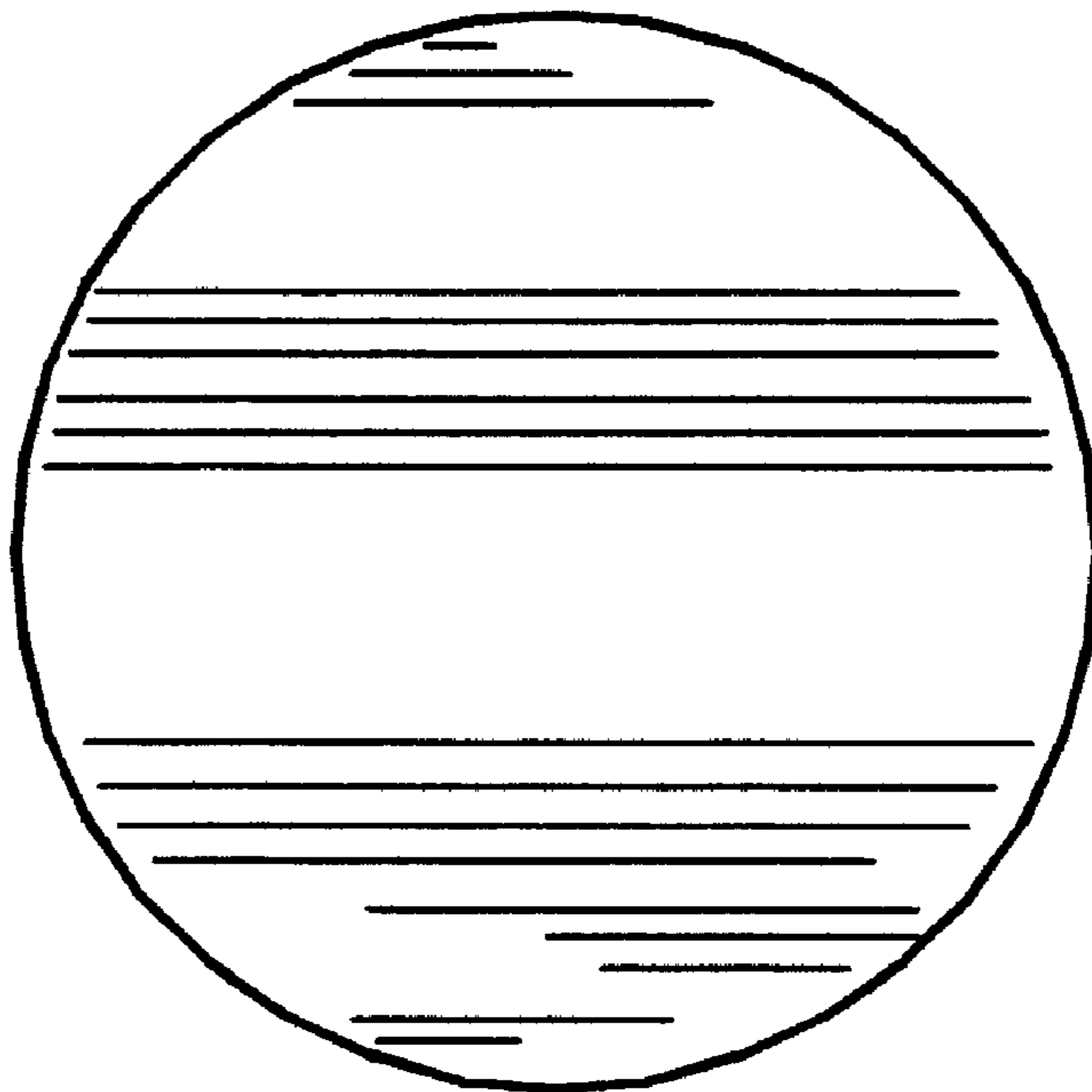


Figure 5