



US00D446978B1

(12) **United States Design Patent**
Patton

(10) **Patent No.:** **US D446,978 S**

(45) **Date of Patent:** **** Aug. 28, 2001**

(54) **CHAIR CONTROL HANDLE**

5,318,347 * 6/1994 Tseng 297/411.36
5,435,626 * 7/1995 Lai 297/411.36

(75) Inventor: **Arthur A. Patton**, Waterloo (CA)

* cited by examiner

(73) Assignee: **Northfield Metal Products Limited**,
Waterloo (CA)

Primary Examiner—Gary D. Watson

(**) Term: **14 Years**

(74) *Attorney, Agent, or Firm*—Shook, Hardy & Bacon
L.L.P.

(21) Appl. No.: **29/129,435**

(57) **CLAIM**

(22) Filed: **Sep. 13, 2000**

The ornamental design for a chair control handle, as shown
and described.

(51) **LOC (7) Cl.** **06-06**

DESCRIPTION

(52) **U.S. Cl.** **D6/500; D6/501**

(58) **Field of Search** D6/334, 335, 364,
D6/365, 366, 367, 500, 501, 502; 297/411.2,
411.27, 411.31, 411.36

FIG. 1 is a right side perspective view of a chair control
handle illustrating my design;

FIG. 2 is a left side perspective view thereof;

FIG. 3 is a top view thereof;

FIG. 4 is a bottom view thereof;

FIG. 5 is a left side view thereof; and,

FIG. 6 is a front view thereof.

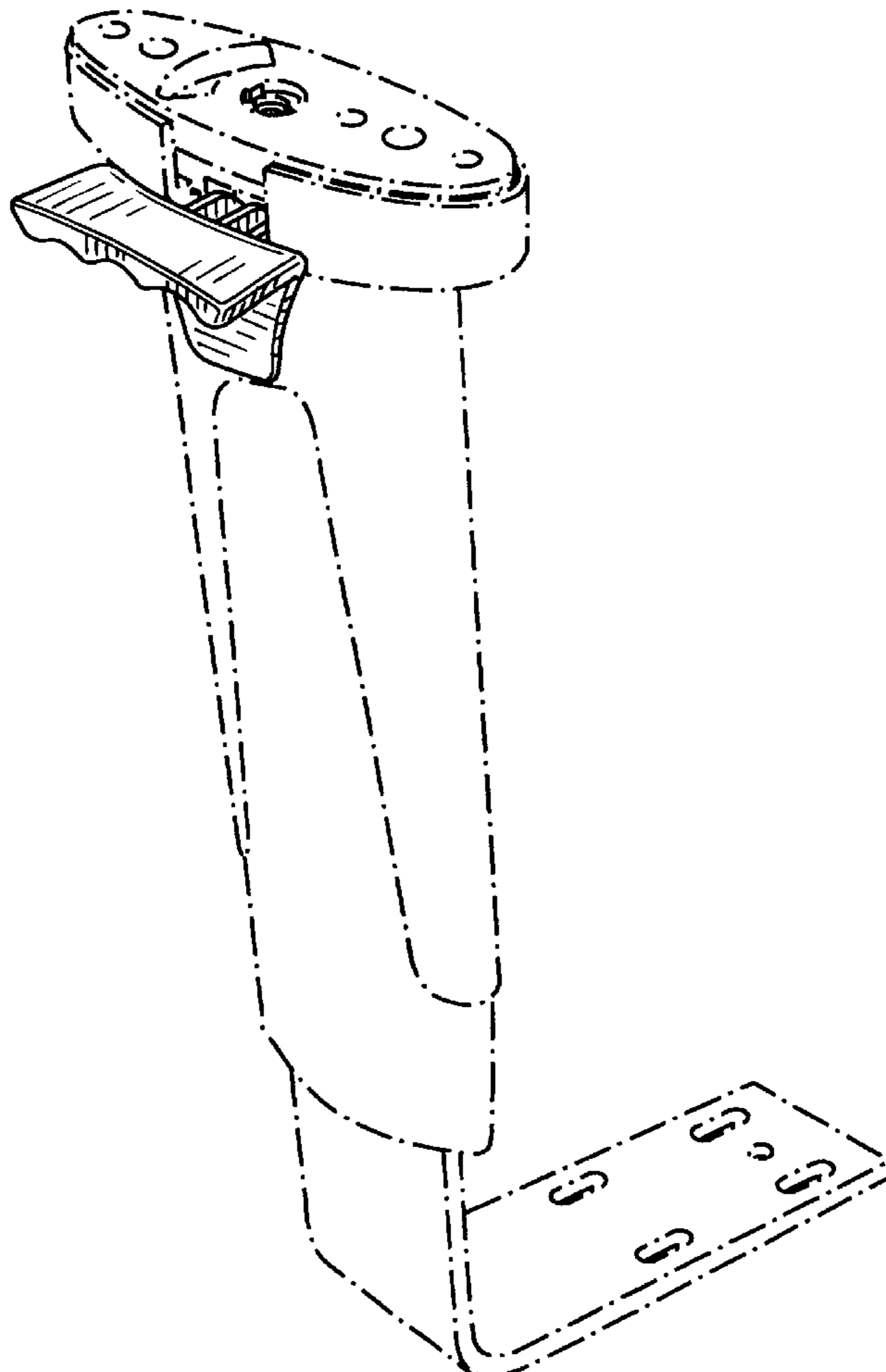
The portions shown in broken line are not part of the design
as claimed.

(56) **References Cited**

U.S. PATENT DOCUMENTS

- D. 390,712 * 2/1998 Koepke et al. D6/366
- D. 409,404 * 5/1999 Kaczmarek D6/366
- D. 411,929 7/1999 Stumpf D6/501
- D. 439,450 * 3/2001 Perl D6/501

1 Claim, 3 Drawing Sheets



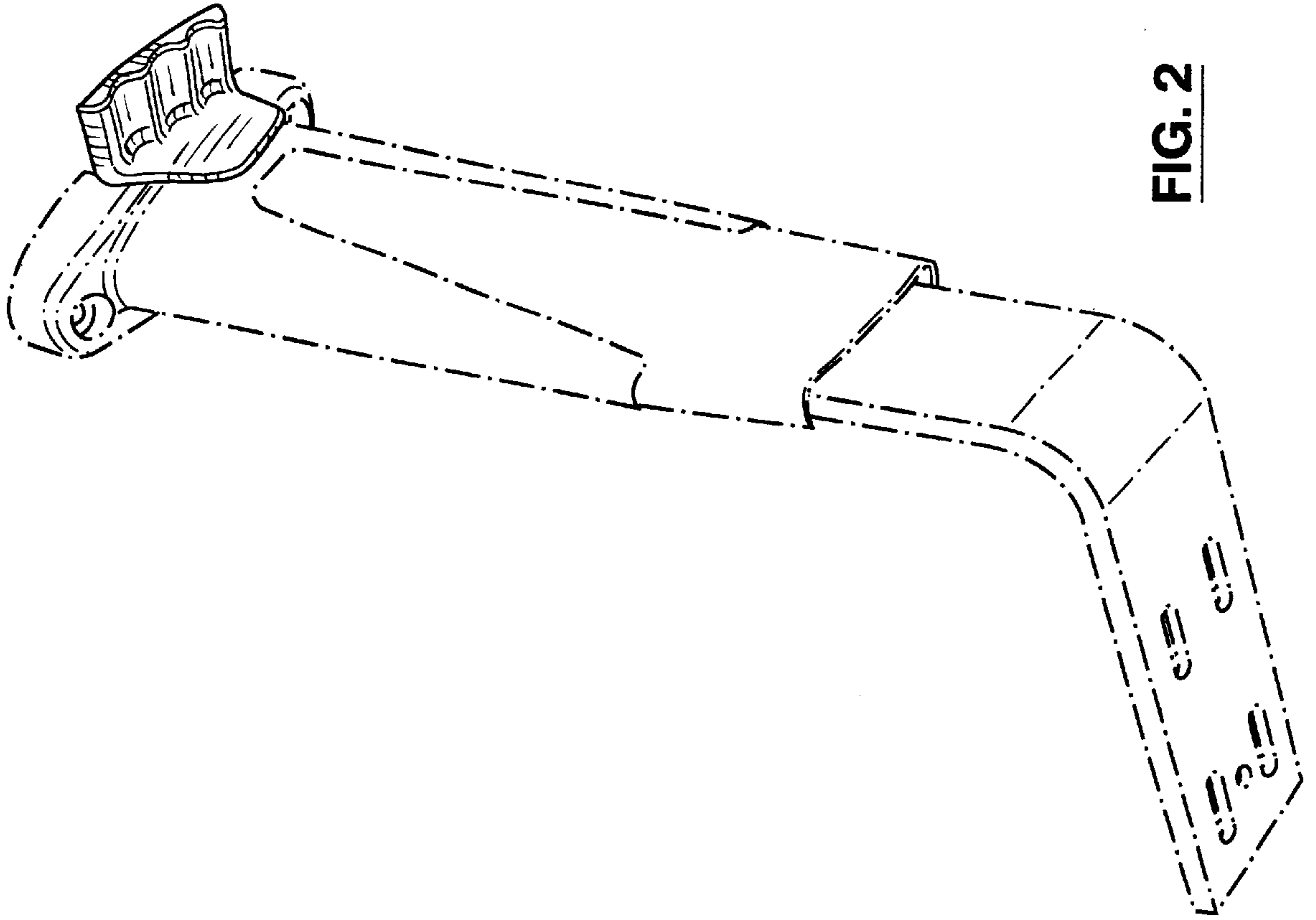


FIG. 2

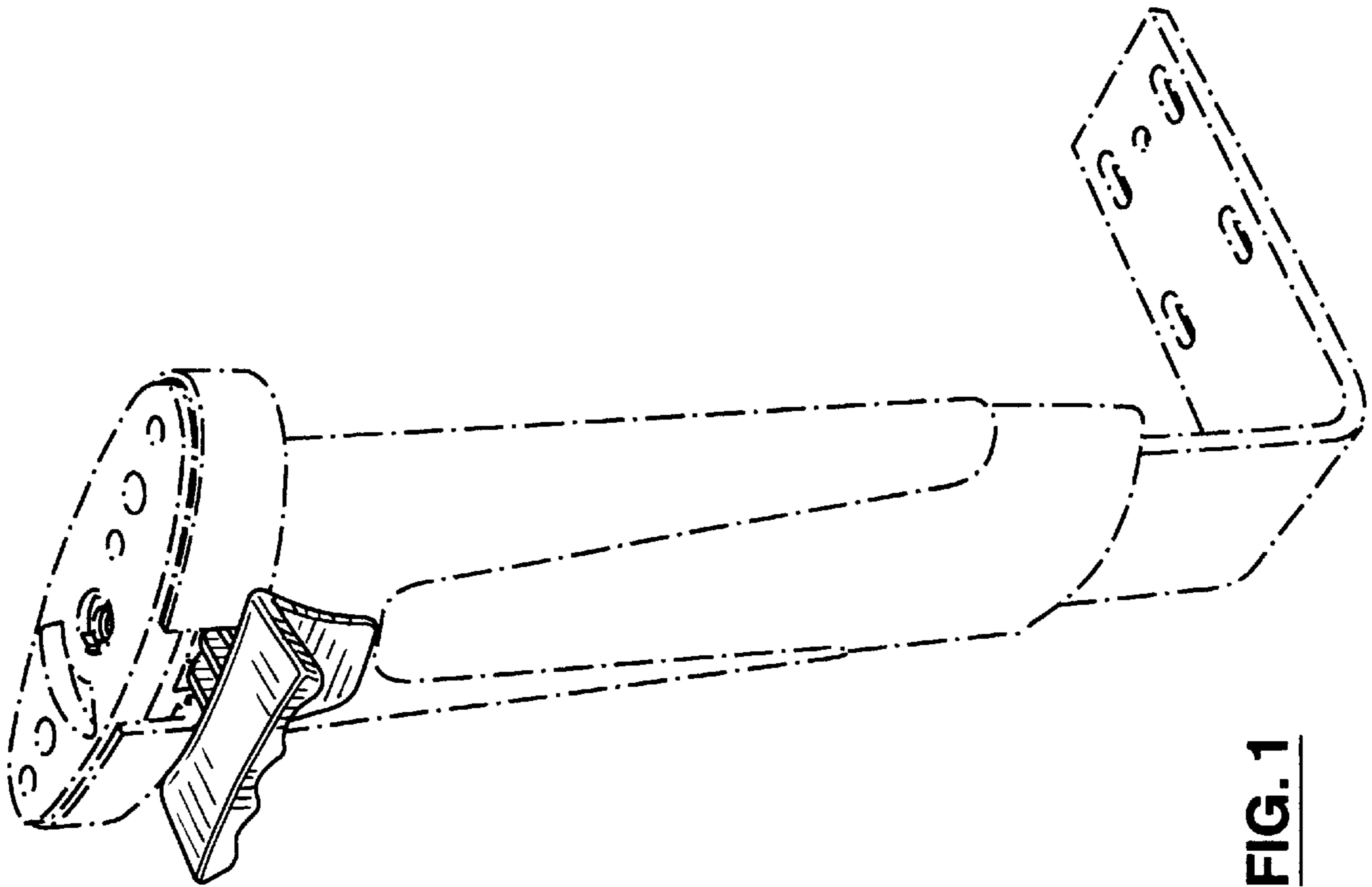


FIG. 1

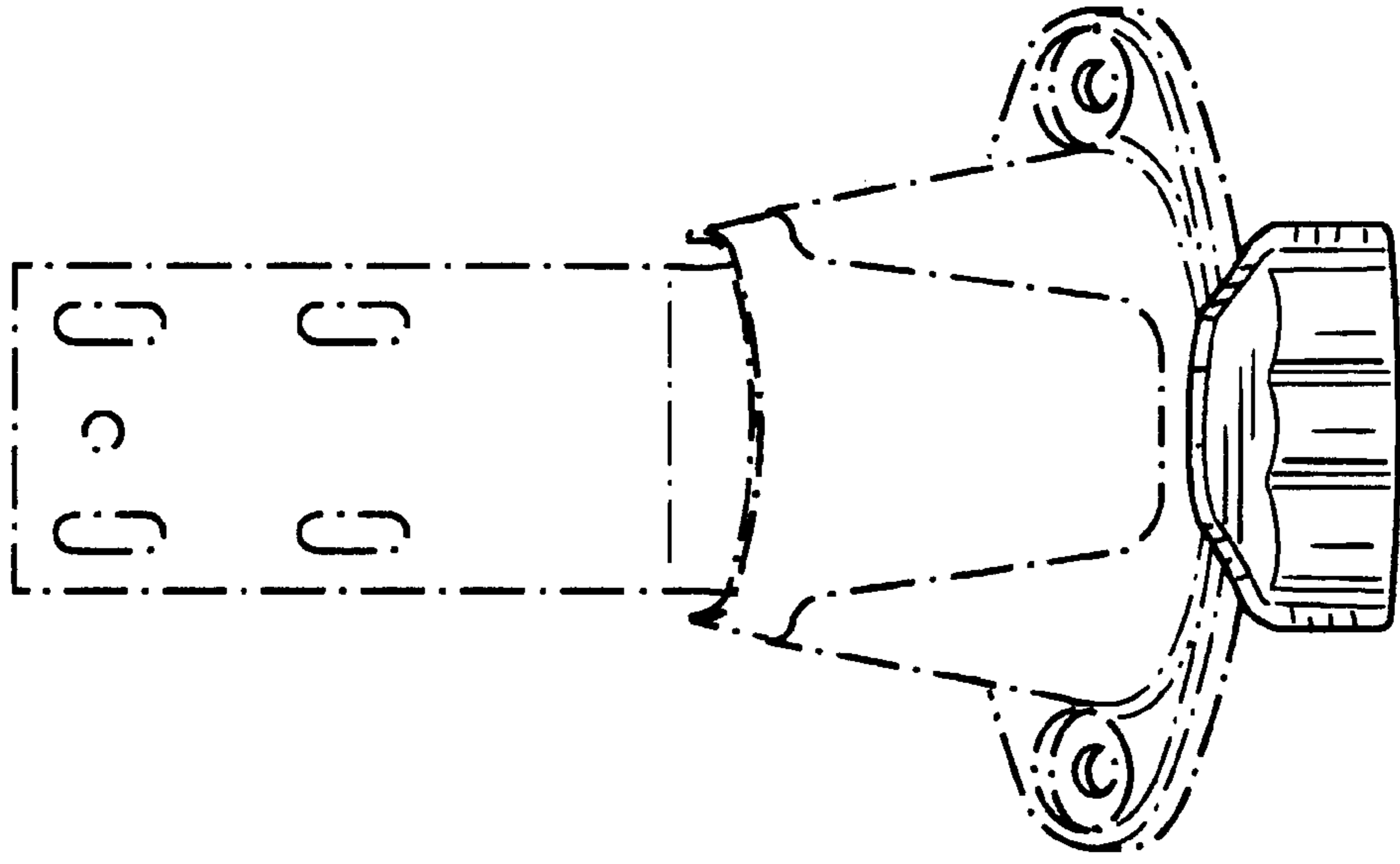


FIG. 4

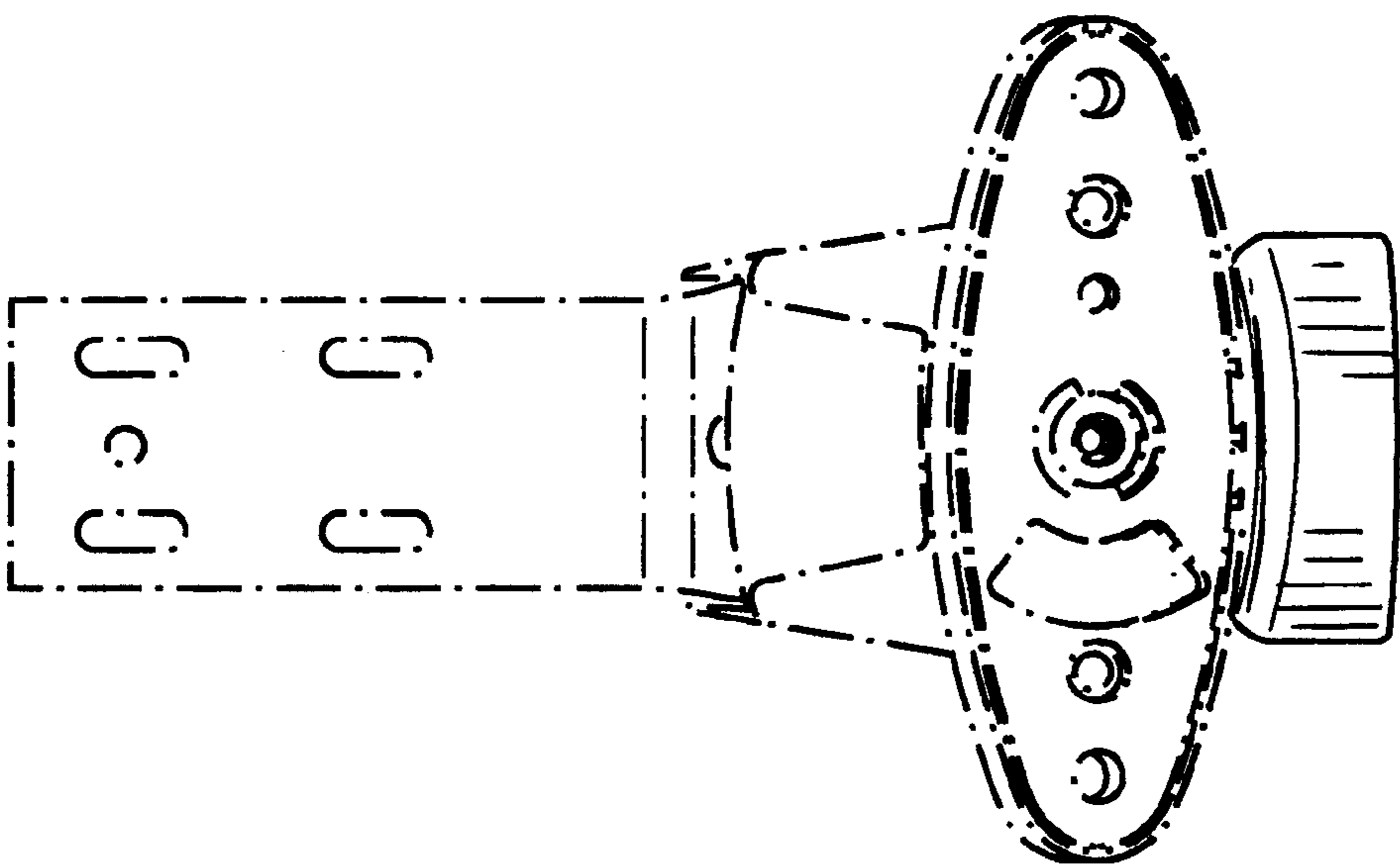


FIG. 3

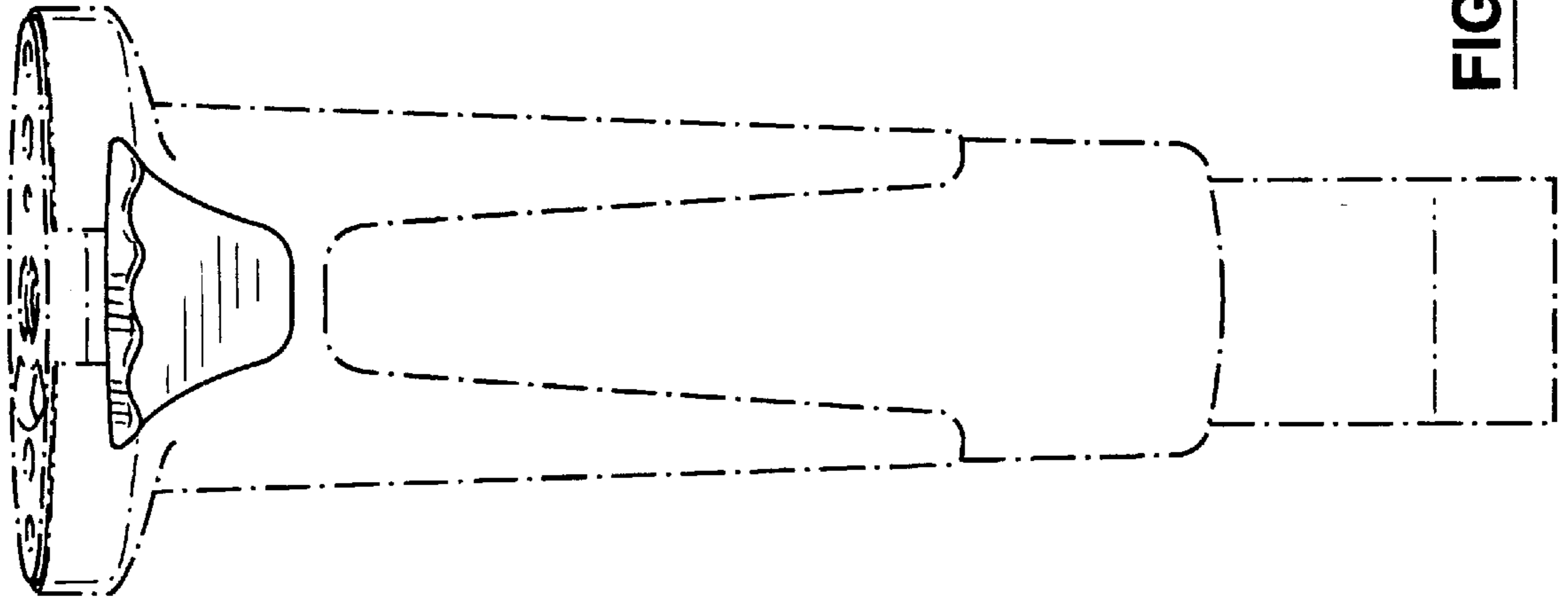


FIG. 6

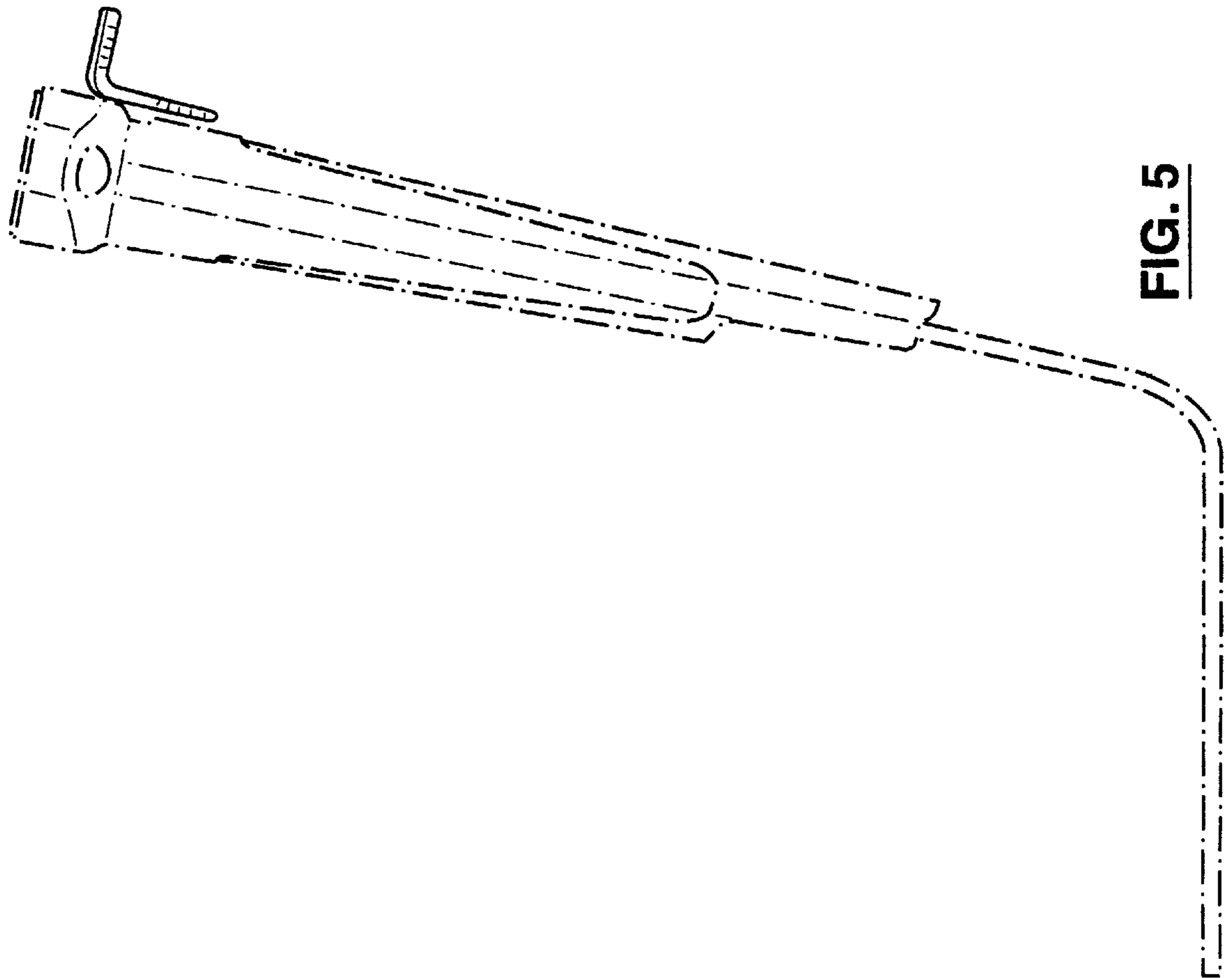


FIG. 5