



US00D446977B1

(12) **United States Design Patent**
Patton

(10) **Patent No.:** **US D446,977 S**

(45) **Date of Patent:** **** Aug. 28, 2001**

(54) **ARMREST SUPPORT**

(75) Inventor: **Arthur A. Patton**, Waterloo (CA)

(73) Assignee: **Northfield Metal Products Limited**,
Waterloo (CA)

(**) Term: **14 Years**

(21) Appl. No.: **29/129,434**

(22) Filed: **Sep. 13, 2000**

(51) **LOC (7) Cl.** **06-06**

(52) **U.S. Cl.** **D6/500; D6/501**

(58) **Field of Search** D6/334, 335, 364,
D6/365, 366, 367, 500, 501, 502; 297/441.2,
441.27, 411.31, 411.36

(56) **References Cited**

U.S. PATENT DOCUMENTS

D. 367,980	*	3/1996	Hodge et al.	D6/500
D. 390,712	*	2/1998	Koepke et al.	D6/366
D. 398,174	*	9/1998	Fahnstrom et al.	D6/501
D. 409,404	*	5/1999	Kaczmarek	D6/366
D. 411,929		7/1999	Stumpf	D6/501
D. 434,918	*	12/2000	Arko et al.	D6/366
D. 435,372	*	12/2000	Perl	D6/501
D. 435,373	*	12/2000	Perl	D6/501
D. 438,411	*	3/2001	Perl	D6/501

D. 439,450	*	3/2001	Perl	D6/501
5,318,347	*	6/1994	Tseng	297/411.36
5,388,892	*	2/1995	Tornero	297/411.36
5,435,626	*	7/1995	Lai	297/411.36
5,931,537	*	8/1999	Gollin et al.	297/411.36

* cited by examiner

Primary Examiner—Gary D. Watson

(74) *Attorney, Agent, or Firm*—Shook, Hardy & Bacon
L.L.P.

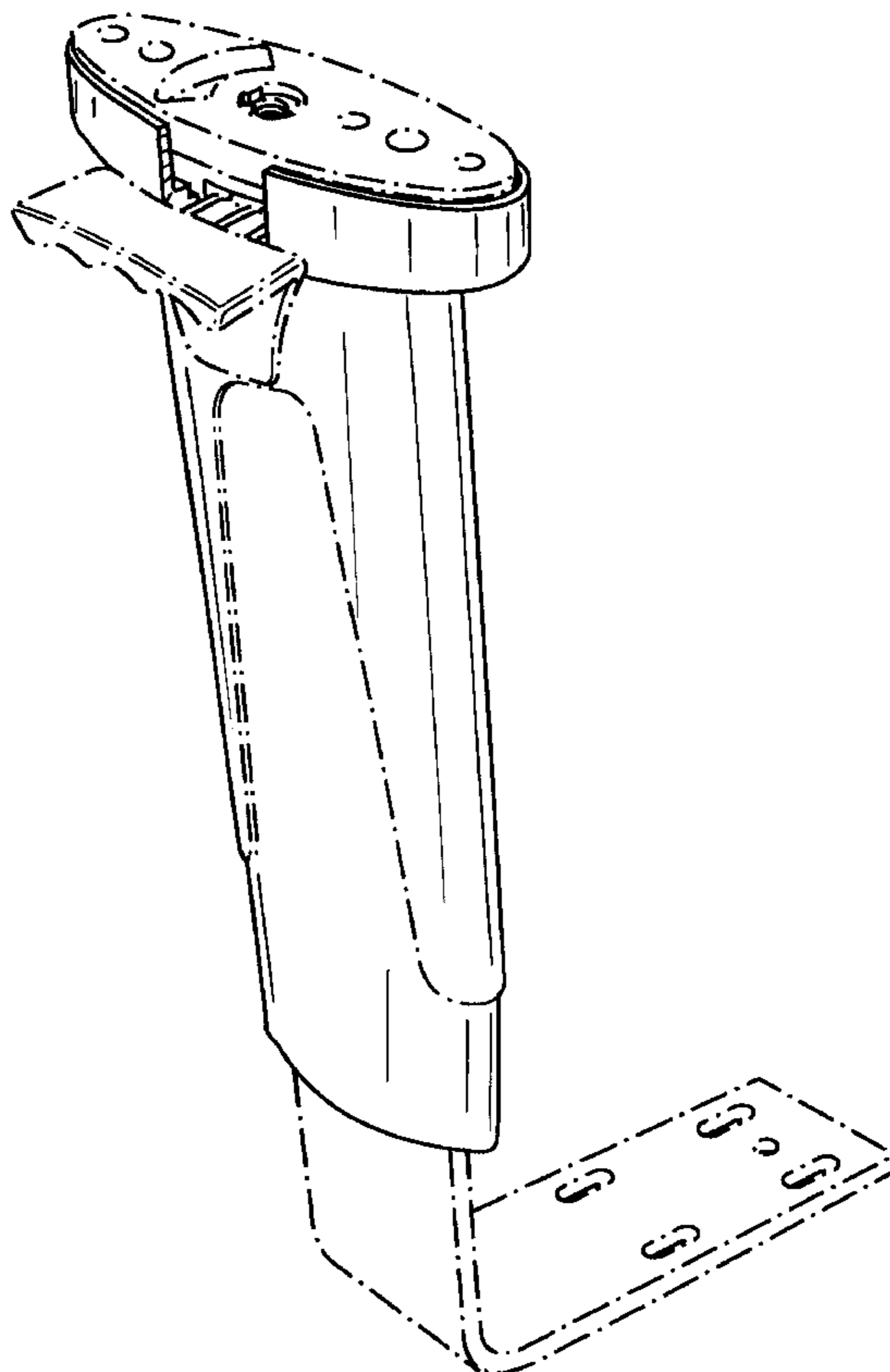
(57) **CLAIM**

The ornamental design for an armrest support, as shown and described.

DESCRIPTION

FIG. 1 is a right side perspective view of an armrest support illustrating my design,
FIG. 2 is a left side perspective view thereof,
FIG. 3 is a top view thereof,
FIG. 4 is a bottom view thereof,
FIG. 5 is a left side view thereof,
FIG. 6 is a front view thereof; and,
FIG. 7 is a back view thereof.
The portions shown in broken line are not part of the design as claimed.

1 Claim, 4 Drawing Sheets



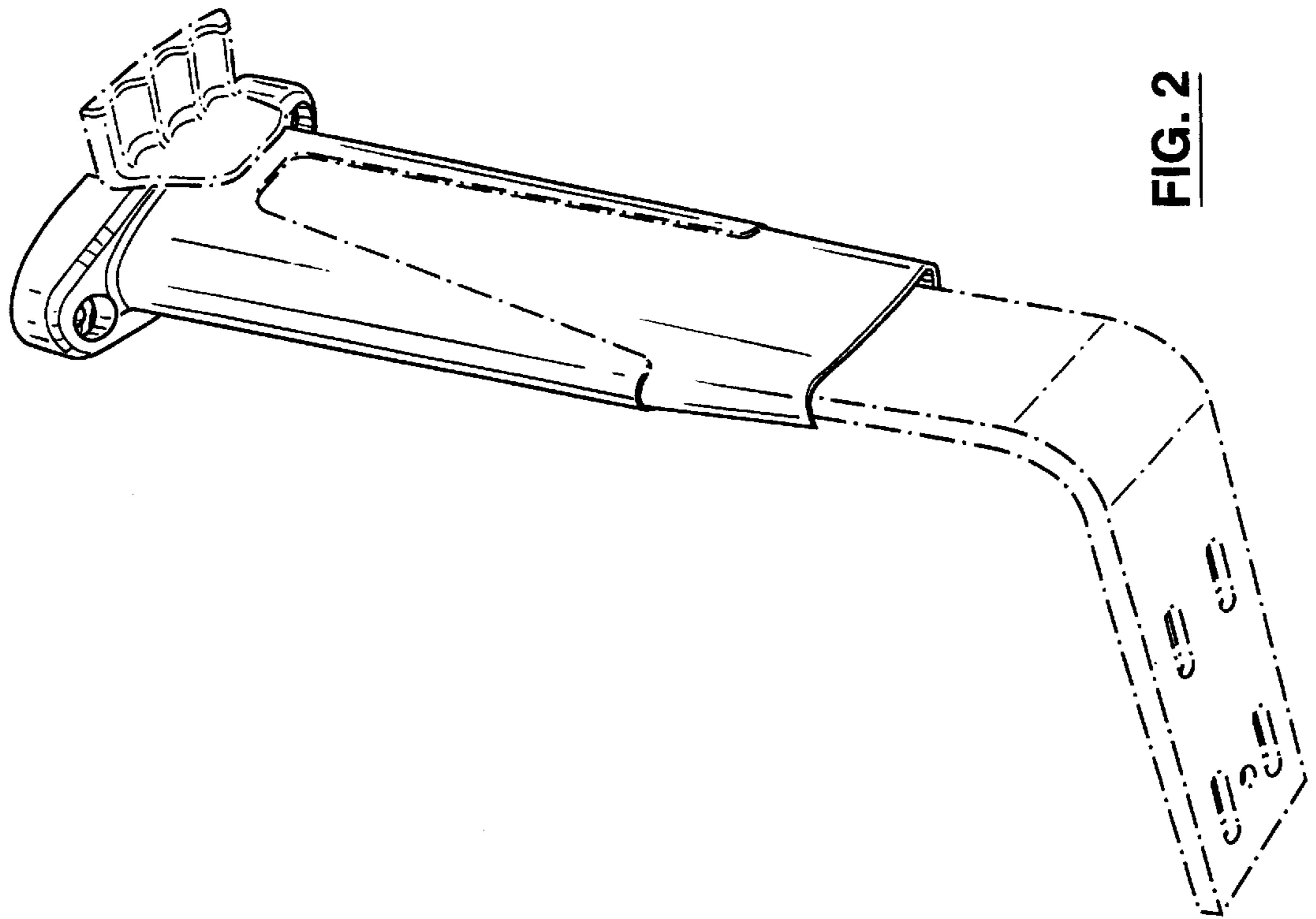


FIG. 2

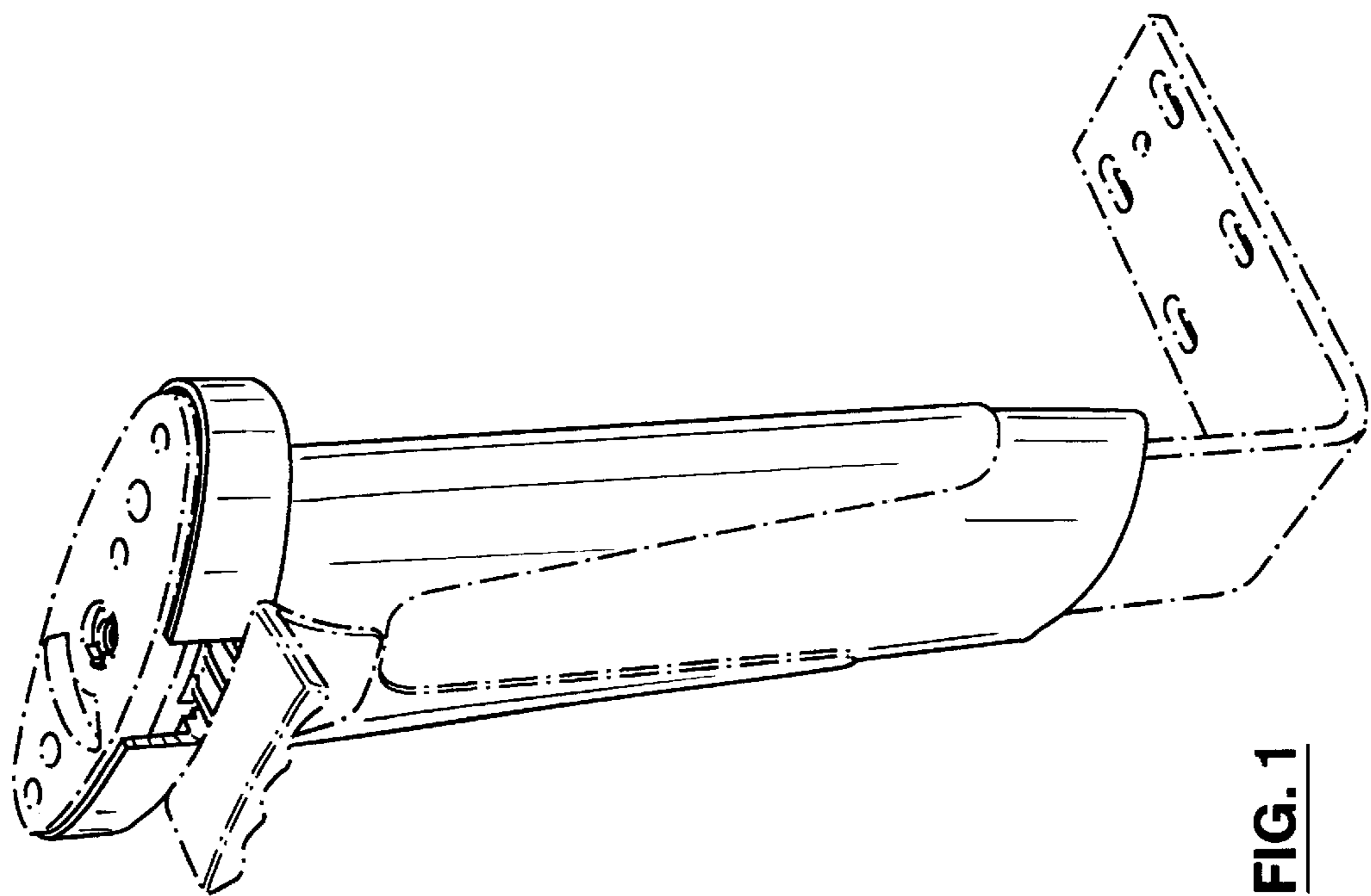


FIG. 1

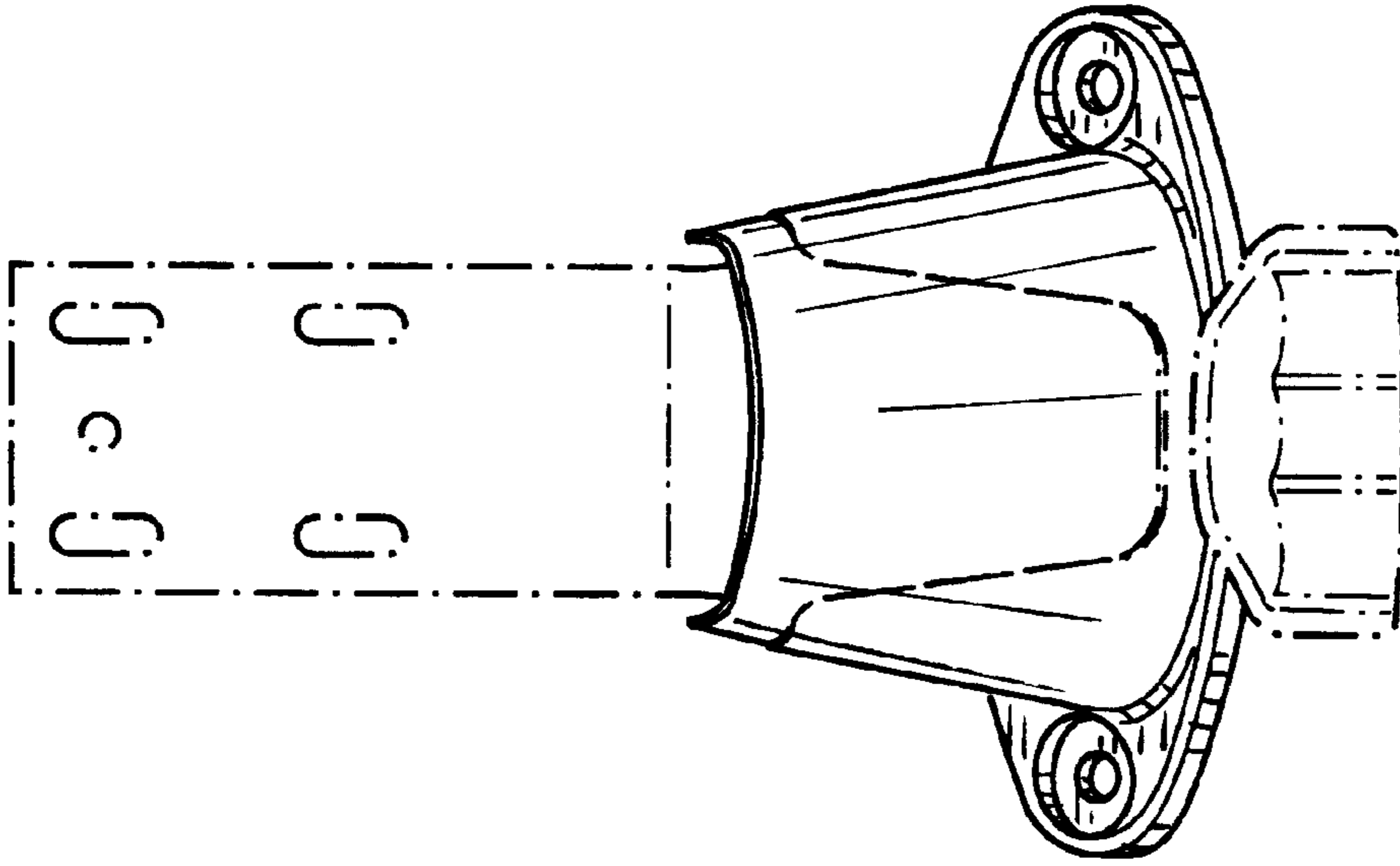


FIG. 4

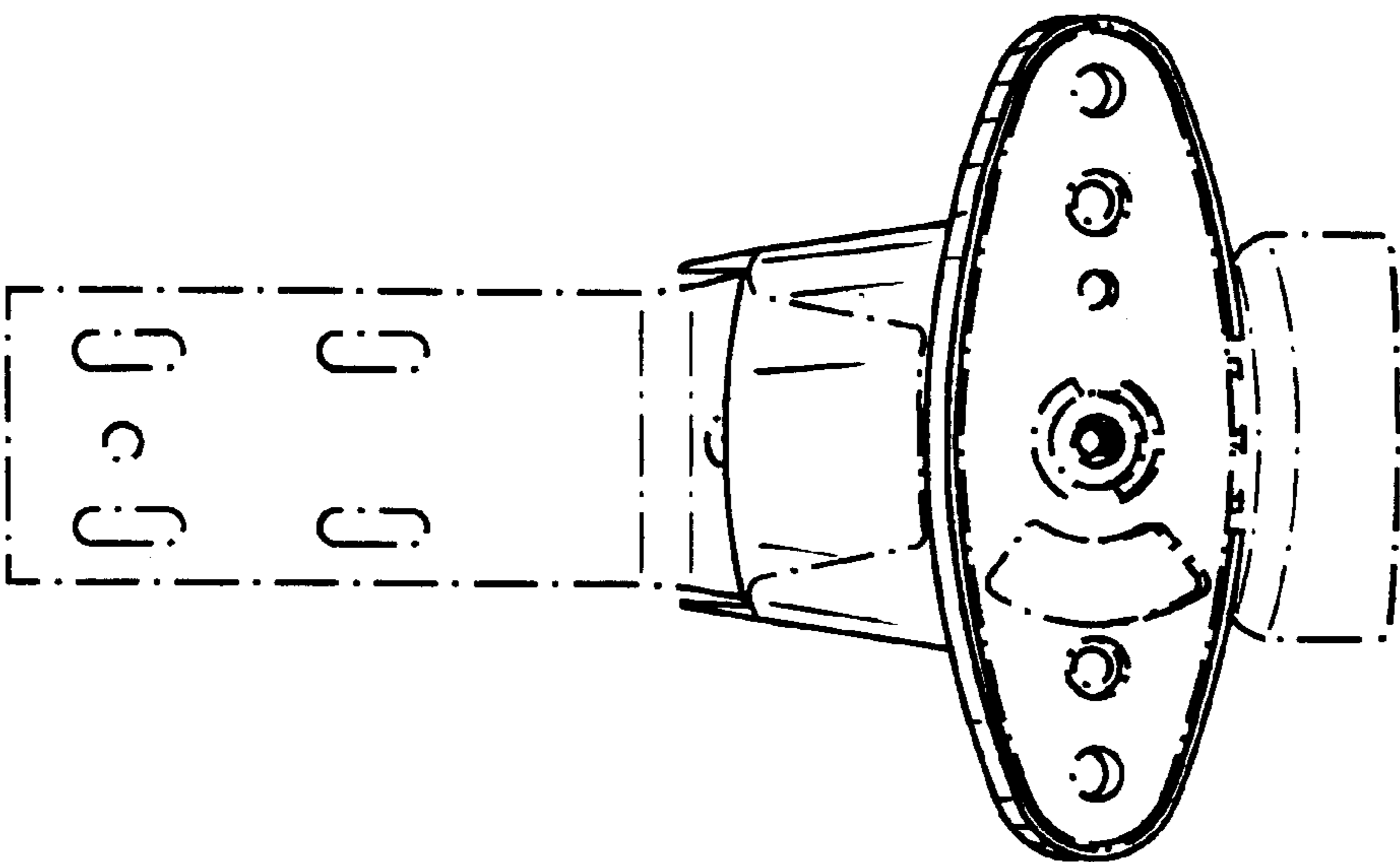


FIG. 3

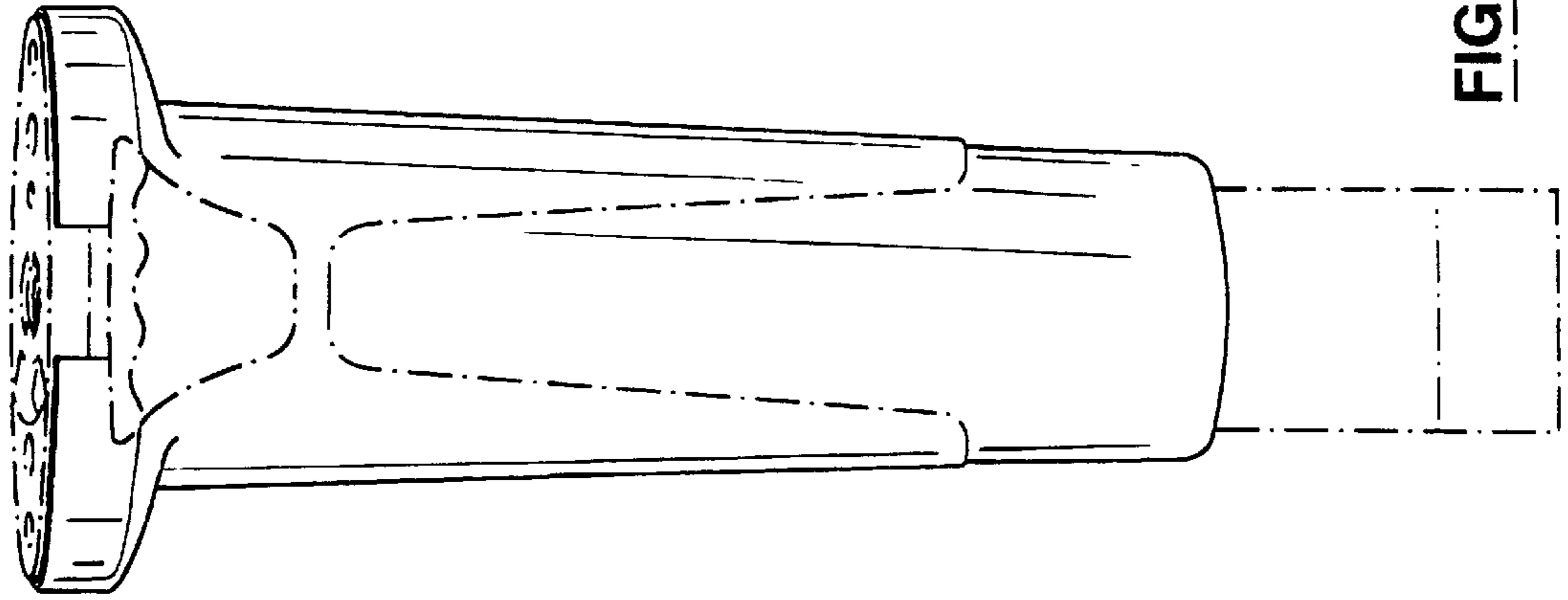


FIG. 6

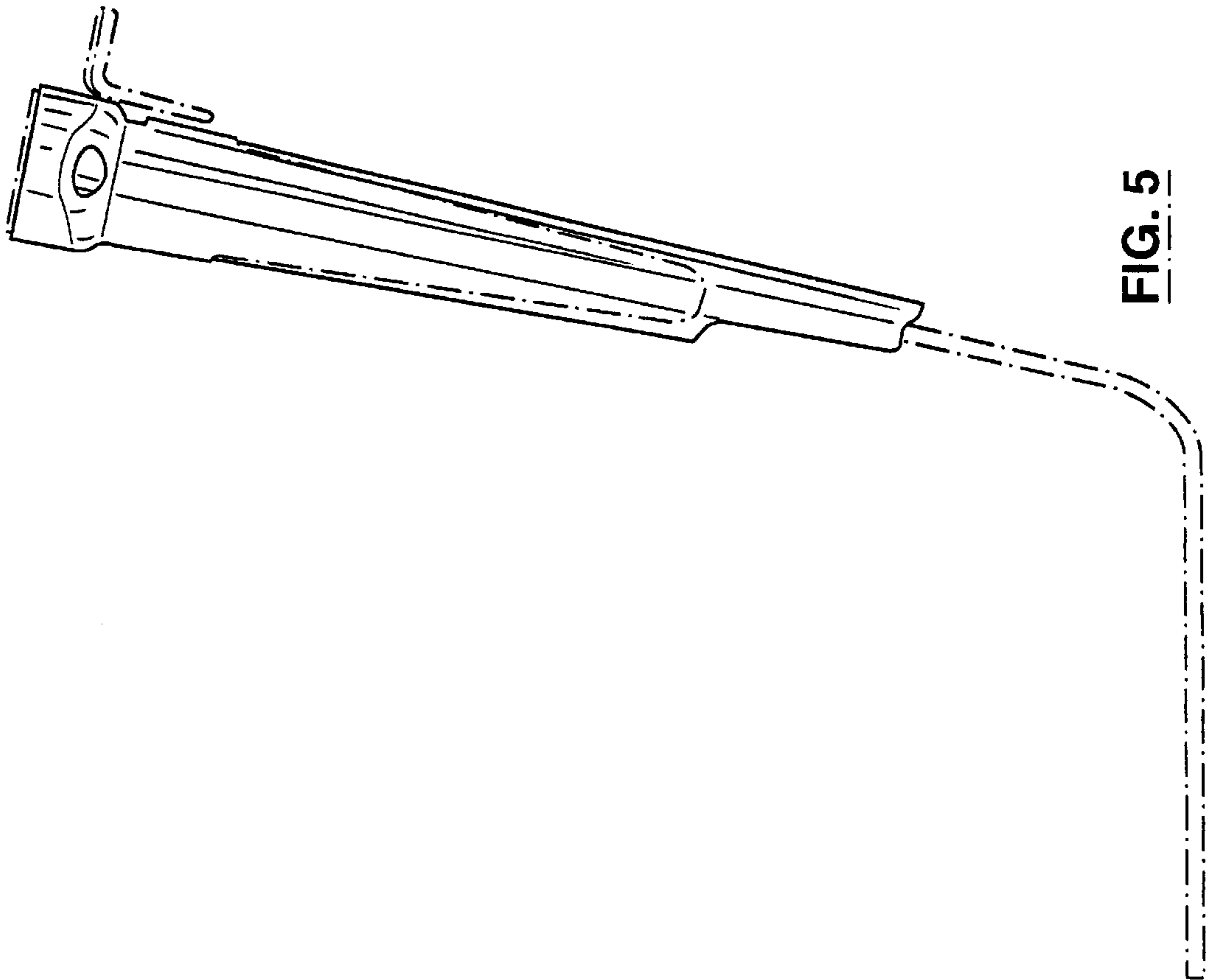


FIG. 5

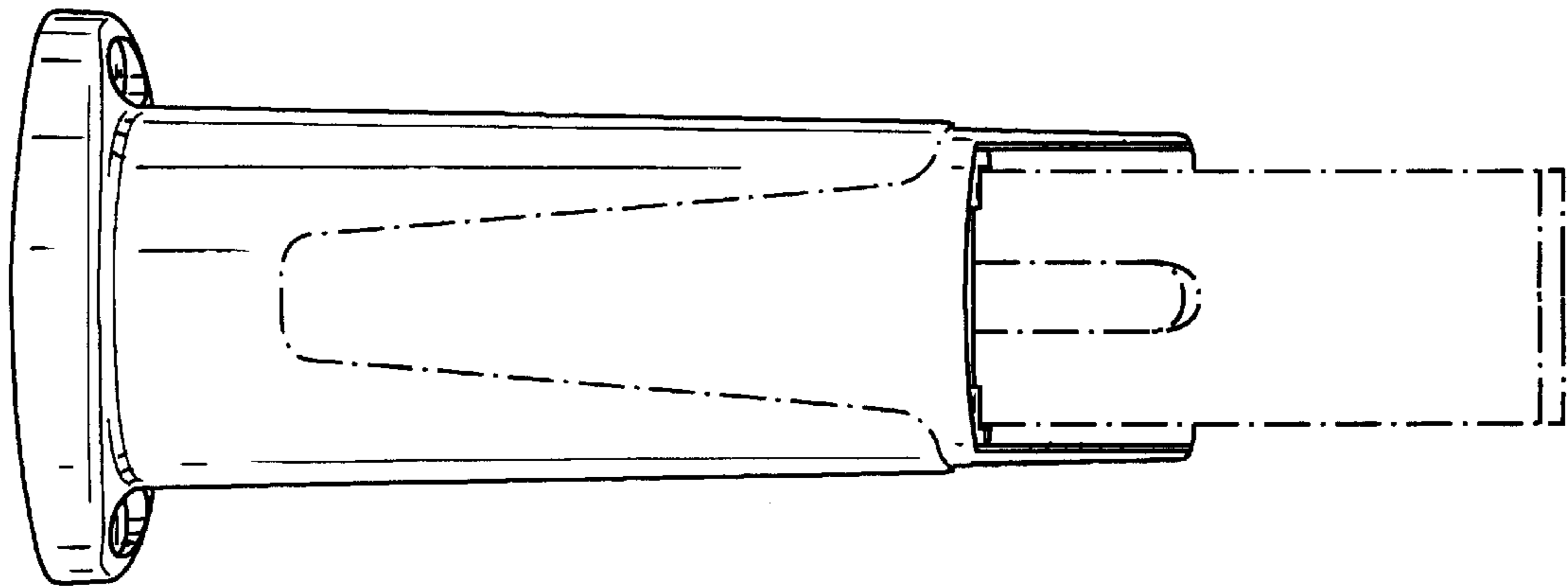


FIG. 7