



US00D446973B1

(12) **United States Design Patent**
Henry et al.

(10) **Patent No.:** **US D446,973 S**

(45) **Date of Patent:** **** Aug. 28, 2001**

(54) **DESK**

(75) Inventors: **Louis Henry; Bruce Ancona**, both of New York, NY (US)

(73) Assignee: **Gilha International**, Miami, FL (US)

(**) Term: **14 Years**

(21) Appl. No.: **29/125,322**

(22) Filed: **Jun. 22, 2000**

(51) **LOC (7) Cl.** **06-03**

(52) **U.S. Cl.** **D6/474**

(58) **Field of Search** D6/470-479, 449, D6/451, 460, 396, 555, 421-428, 430; 211/119.005, 186-188, 134, 175; 248/676; 297/135, 311, 318; 312/114, 128, 283; D34/19, 20, 21; 108/92, 93, 160, 143, 102

(56) **References Cited**

U.S. PATENT DOCUMENTS

| | | | | | |
|------------|---|---------|---------------|-------|---------|
| D. 287,319 | * | 12/1986 | Ugalde | | D6/474 |
| D. 311,291 | * | 10/1990 | Ugalde | | D6/474 |
| D. 330,301 | * | 10/1992 | Ugalde | | D6/474 |
| D. 385,429 | * | 10/1997 | Biggel et al. | | D6/425 |
| D. 425,727 | * | 5/2000 | Ishikawa | | D6/474 |
| 1,398,611 | * | 11/1921 | Van Alstyn | | 108/143 |
| 4,523,722 | * | 6/1985 | Cohen et al. | | 211/175 |
| 4,640,199 | * | 2/1987 | Zigman | | 108/92 |
| 4,681,378 | * | 7/1987 | Hellman, III | | 211/188 |
| 5,803,562 | * | 9/1998 | Jacobs et al. | | 312/283 |

* cited by examiner

Primary Examiner—Prabhakar Deshmukh
(74) *Attorney, Agent, or Firm*—SAIDMAN DesignLaw Group

(57) **CLAIM**

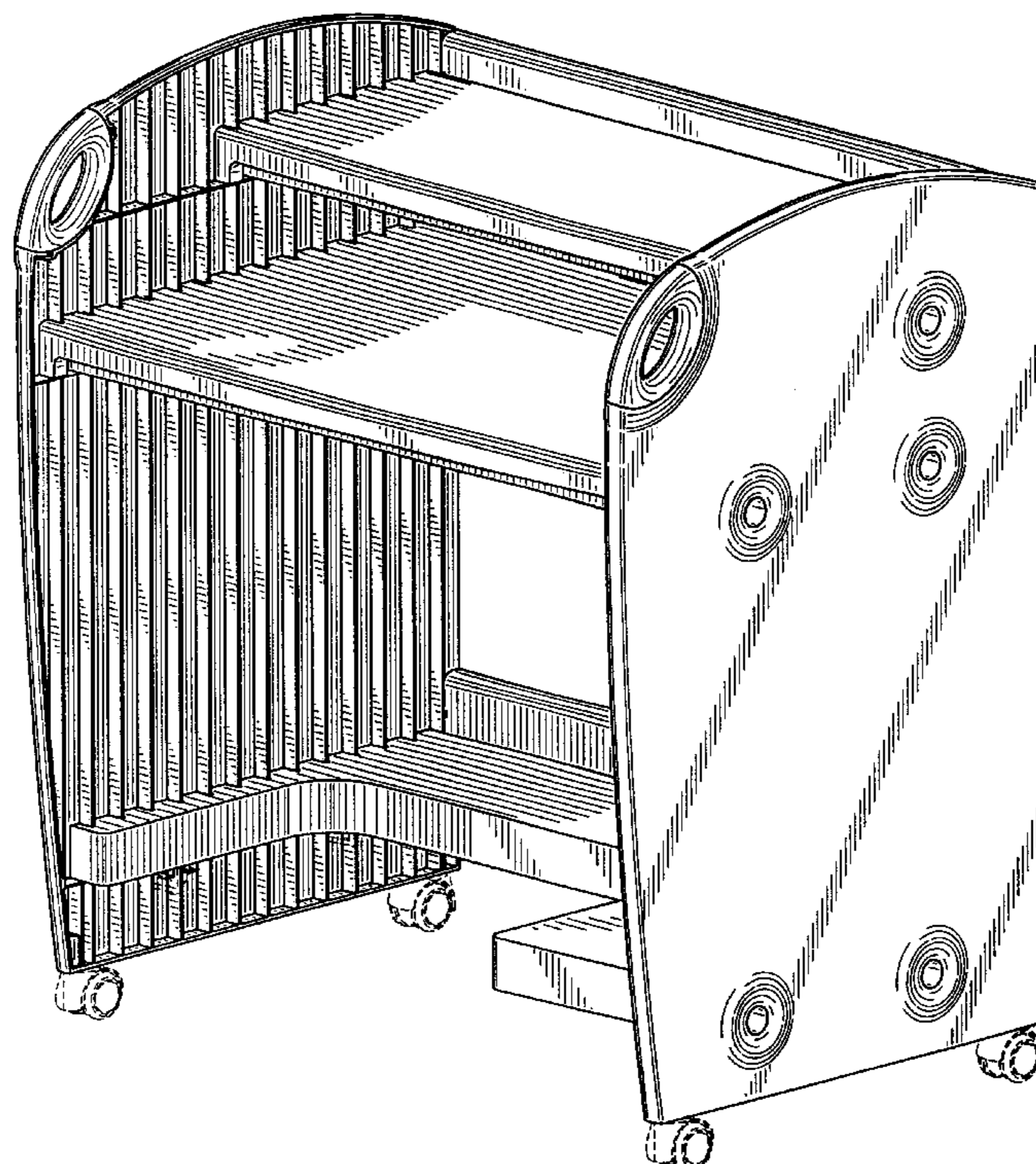
The ornamental design for a desk, as shown and described.

DESCRIPTION

FIG. 1 is a right perspective view of a first embodiment of a desk showing our new design; FIG. 2 is a left perspective view thereof; FIG. 3 is a front view thereof; FIG. 4 is a top view thereof; FIG. 5 is a bottom view thereof; FIG. 6 is a right side view thereof; the left side view being a mirror image; FIG. 7 is a rear thereof; and FIG. 8 is a left perspective view of a second embodiment of our design which differs from the first embodiment only in that the handles of the second embodiment are shaded to reflect a contrasting color to the rest of the desk; and, FIG. 9 is a right side view of a third embodiment of our design, the left side view being a mirror image which differs from the first embodiment only in that the side panel of the third embodiment is shaded to reflect that both the right and left side panels are translucent.

The broken lines shown in FIGS. 1-9 represent environmental subject matter and form no part of the claimed design.

1 Claim, 8 Drawing Sheets



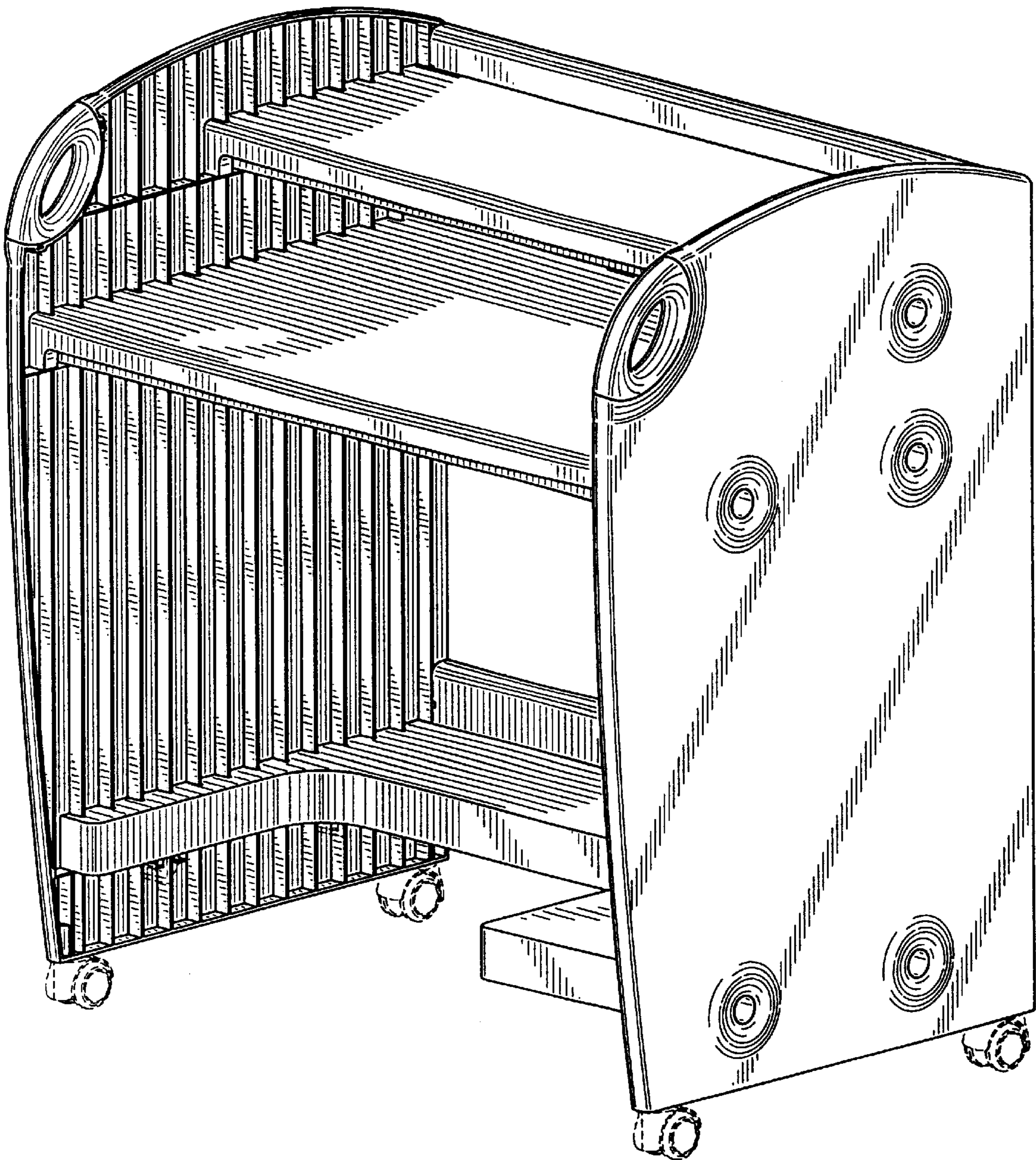


FIG. 1

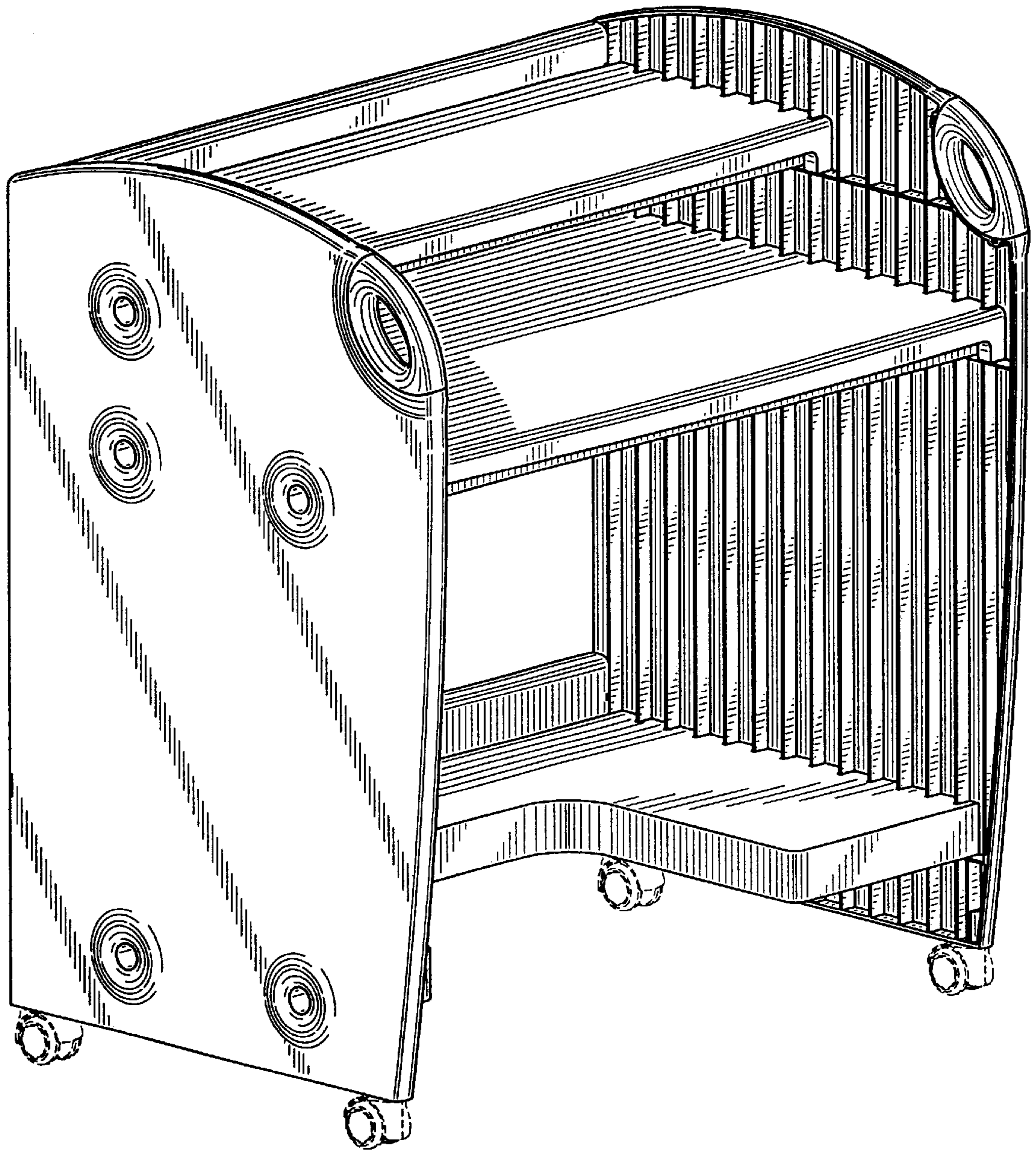


FIG. 2

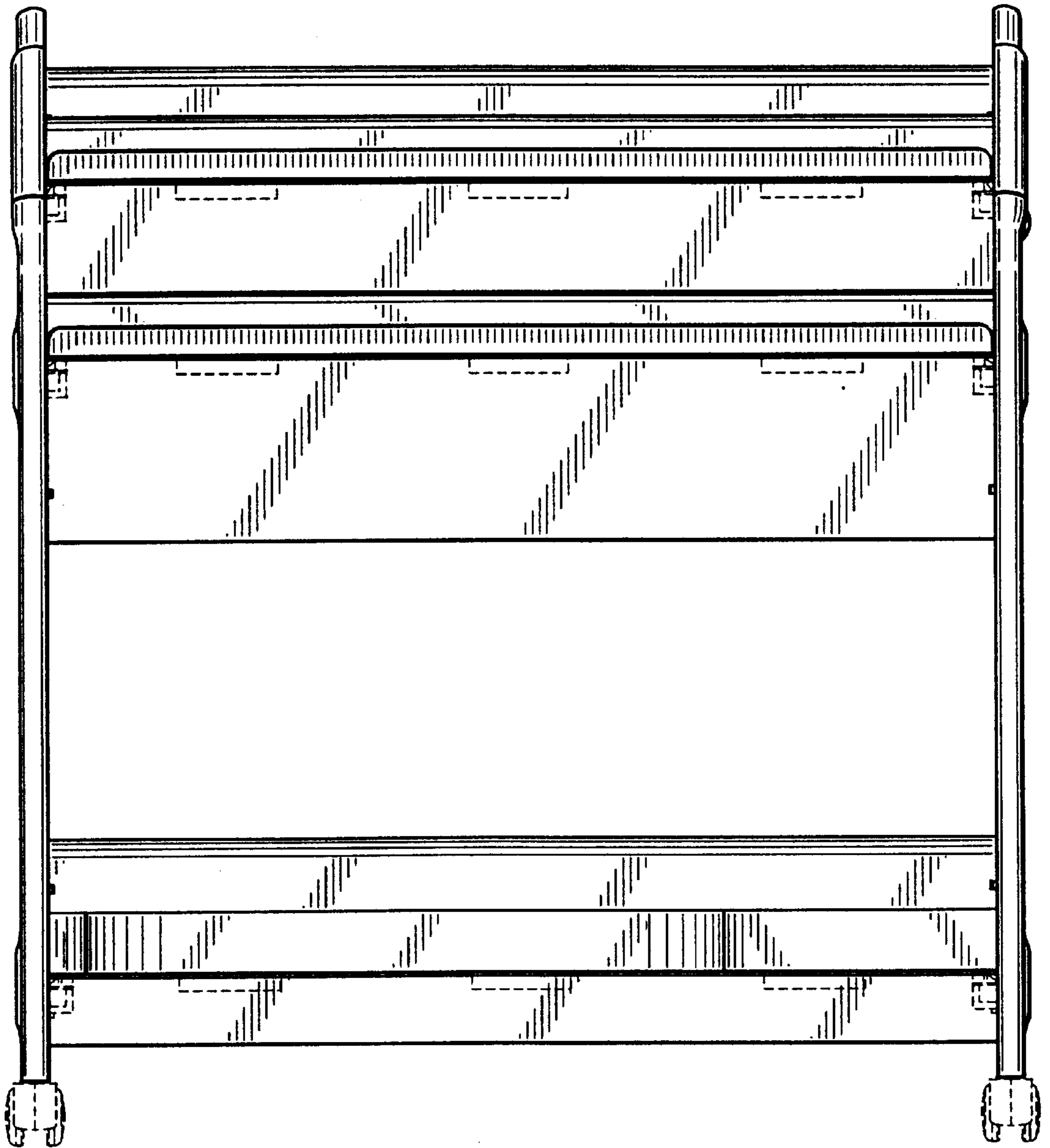


FIG. 3

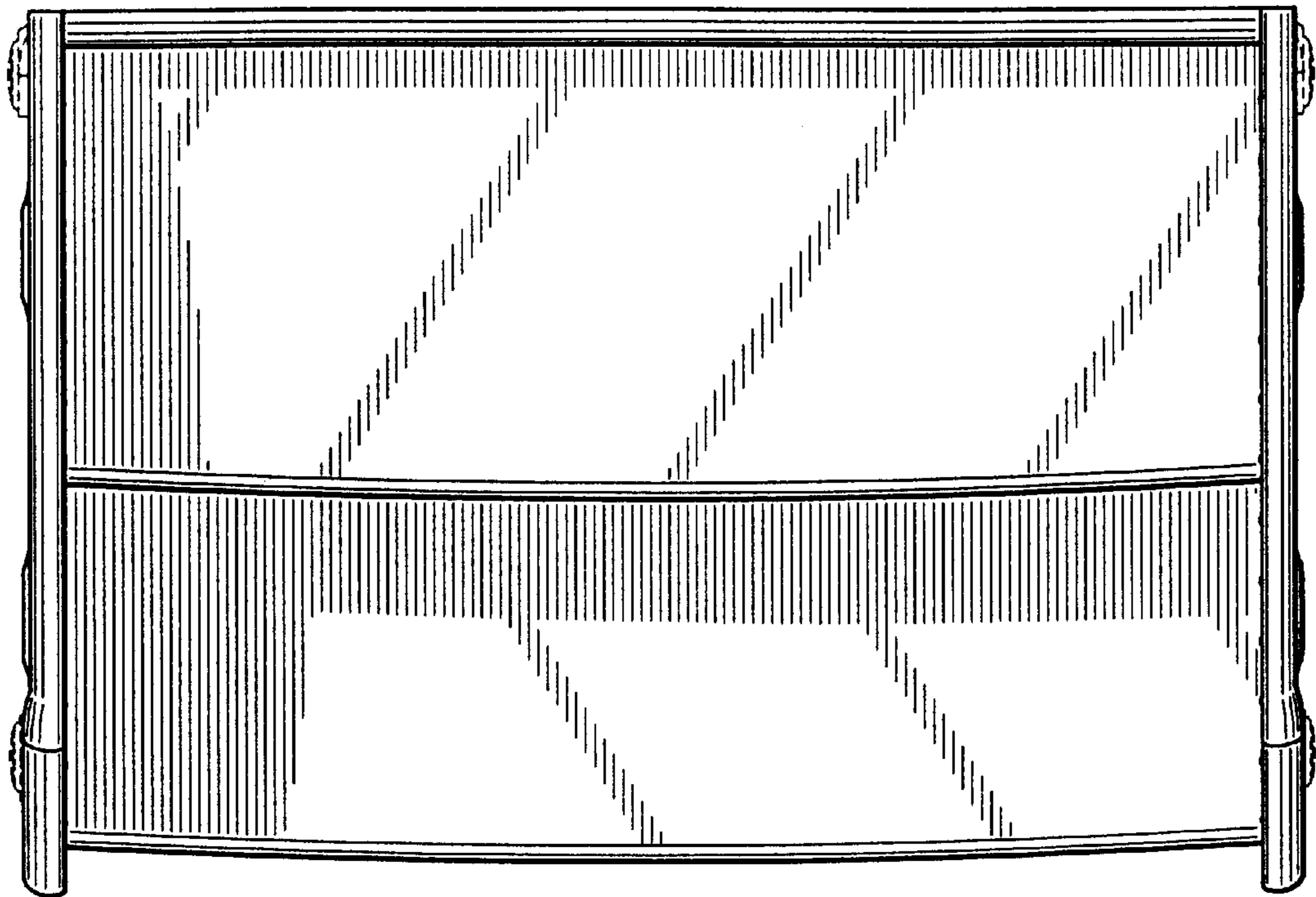


FIG. 4

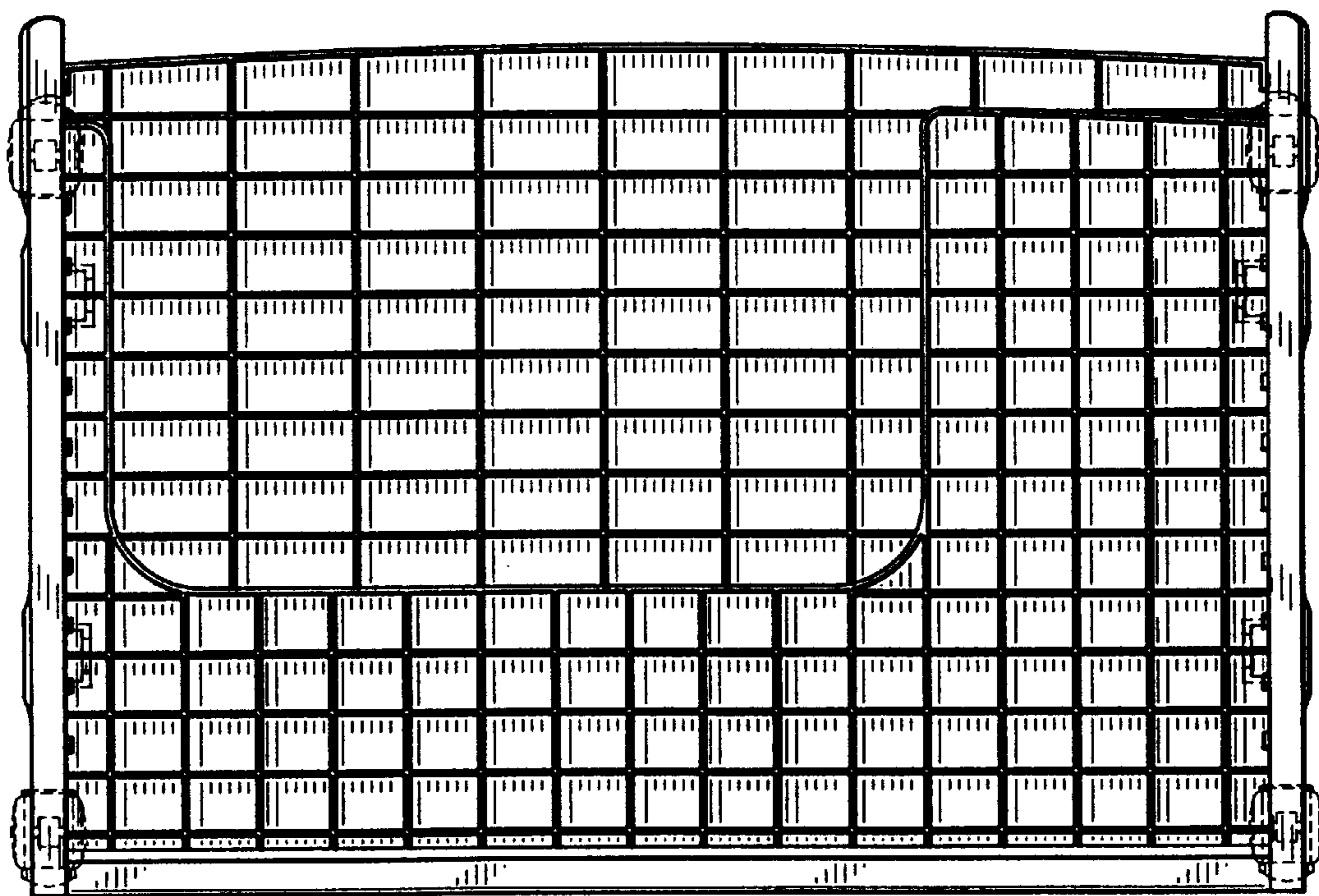


FIG. 5

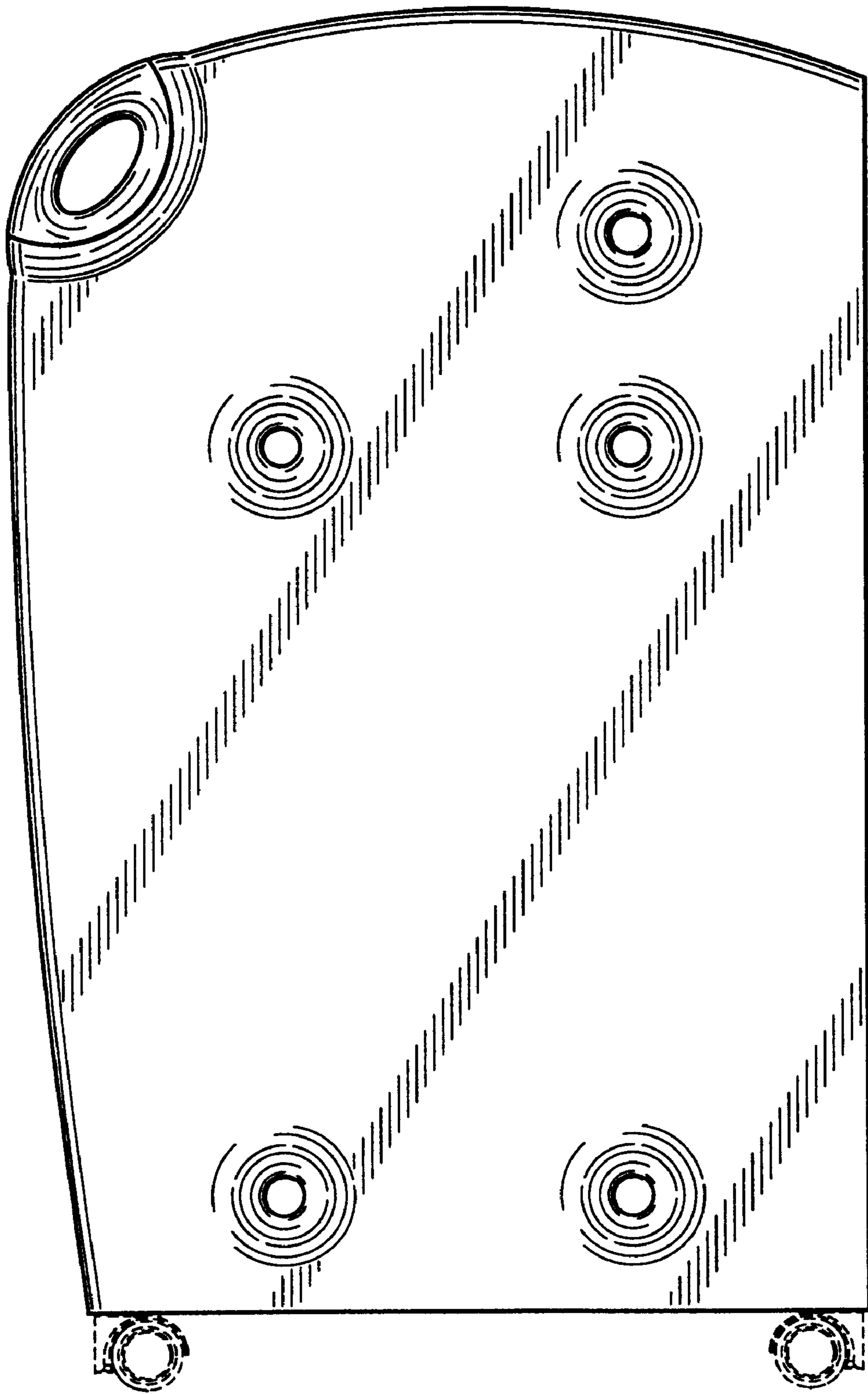


FIG. 6

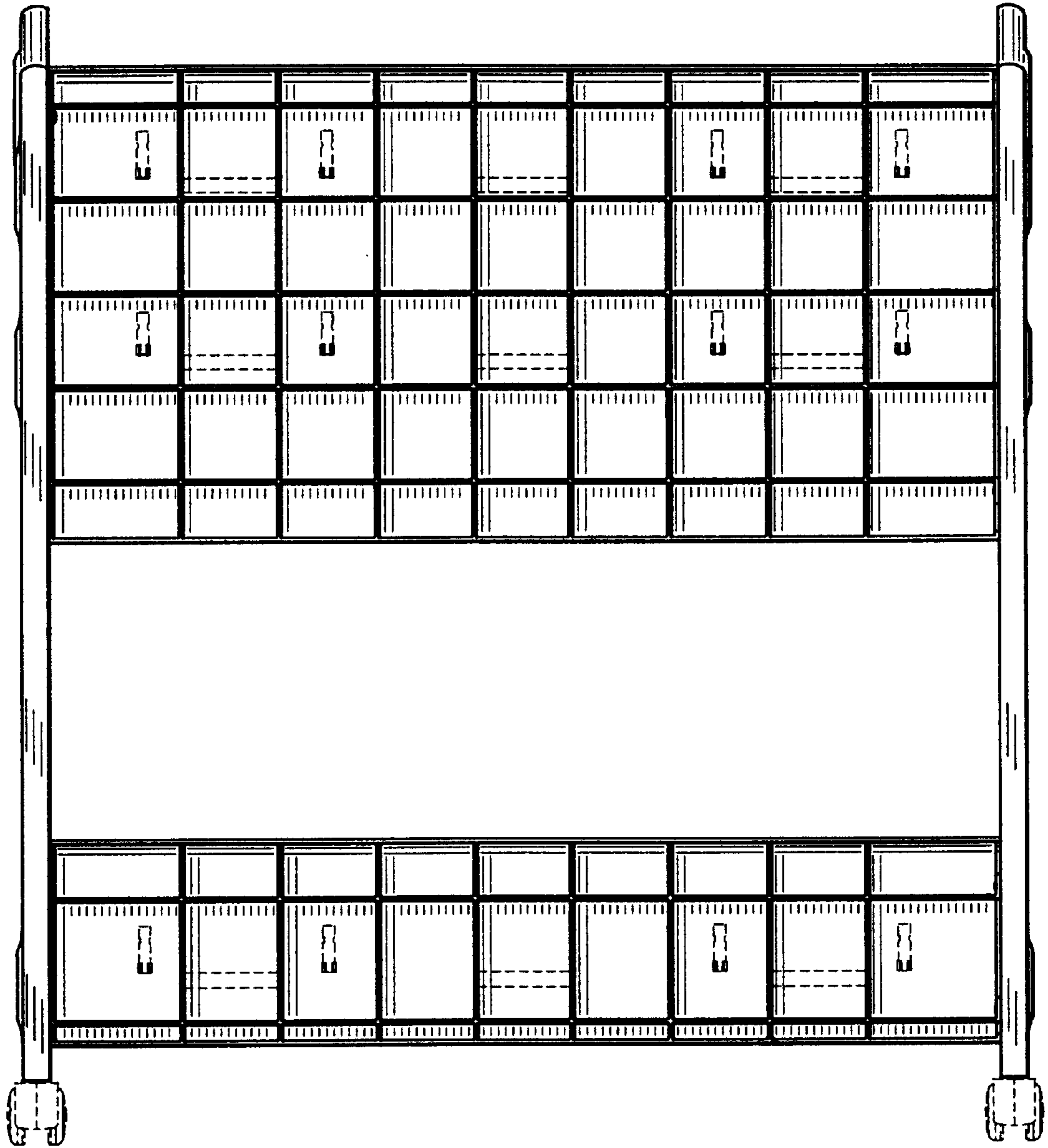


FIG. 7

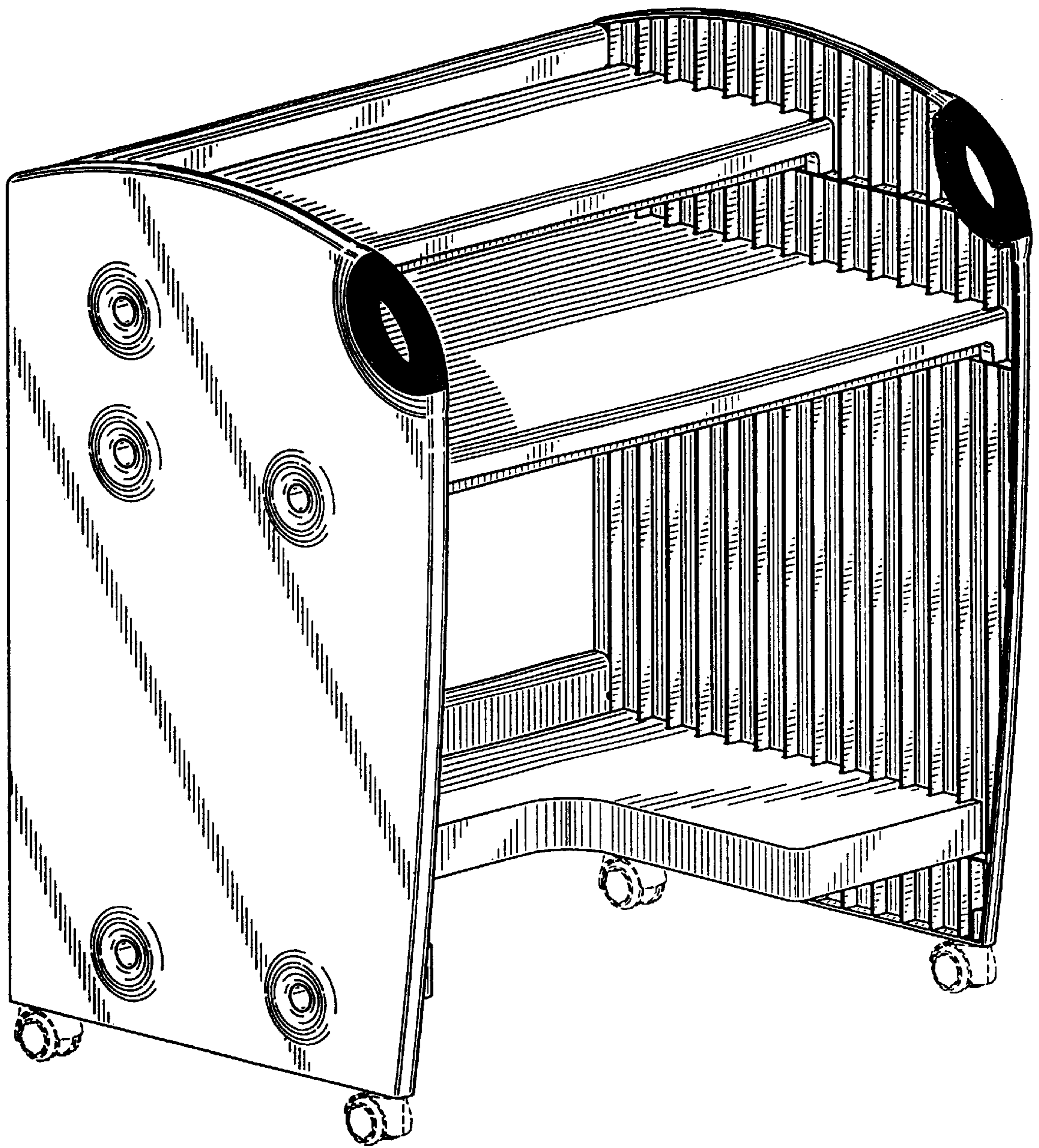


FIG. 8

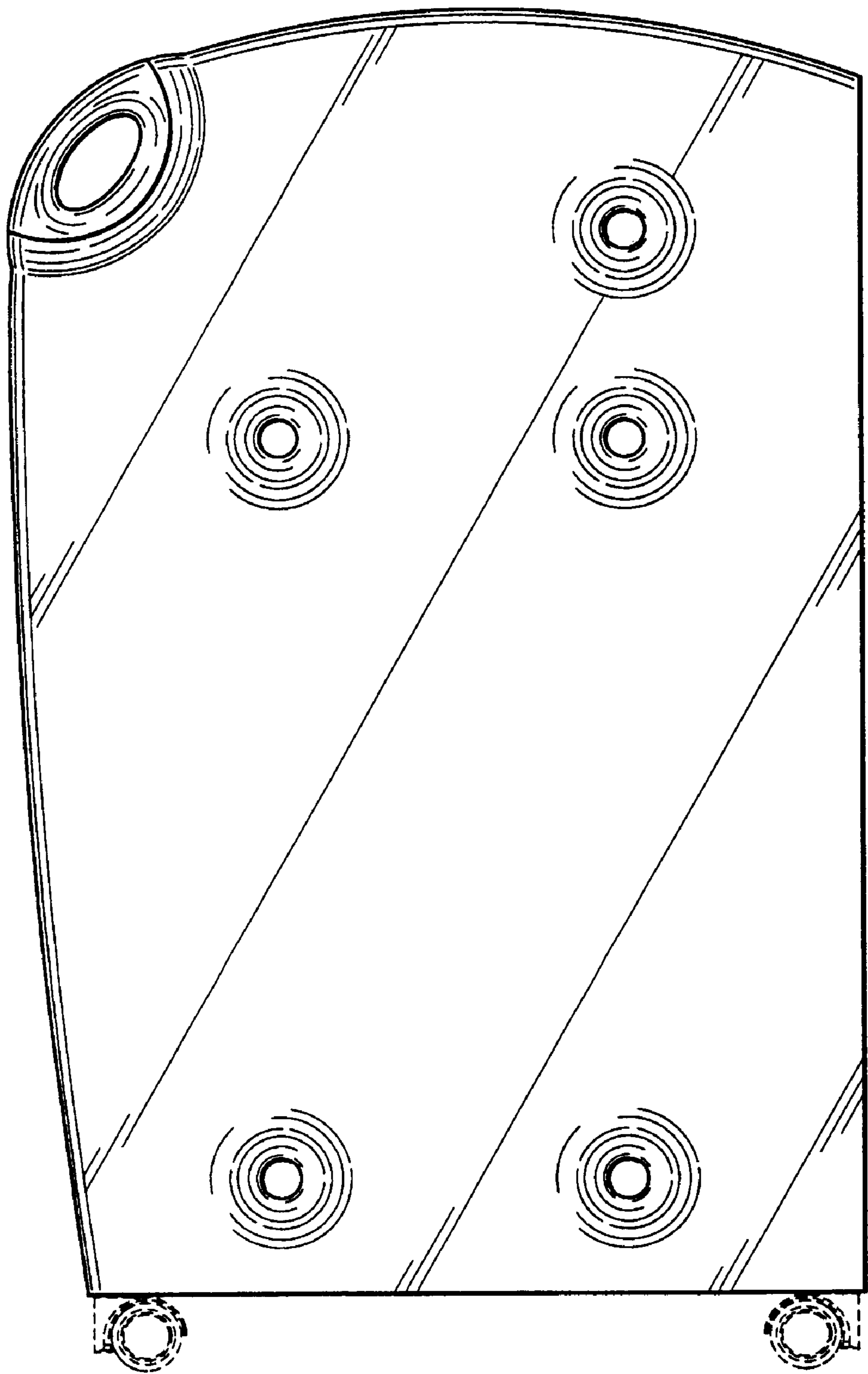


FIG.9