



US00D446972B1

(12) **United States Design Patent**
Aguayo, Jr.

(10) **Patent No.:** **US D446,972 S**

(45) **Date of Patent:** **** Aug. 28, 2001**

(54) **DISPLAY BRACKETS AND TUBES FOR
BASEBALL BATS**

D. 362,022 * 9/1995 Larson D6/472

* cited by examiner

(76) **Inventor:** **Jose Aguayo, Jr.**, 2224 Edinburg Ave.,
Cardiff by the Sea, CA (US) 92007

Primary Examiner—Dominic Simone

(74) *Attorney, Agent, or Firm*—Christie, Parker & Hale,
LLP

(**) **Term:** **14 Years**

(57) **CLAIM**

(21) **Appl. No.:** **29/133,502**

The ornamental design for a display brackets and tubes for
baseball bats, as shown and described.

(22) **Filed:** **Nov. 30, 2000**

DESCRIPTION

(51) **LOC (7) Cl.** **06-04**

(52) **U.S. Cl.** **D6/470**

(58) **Field of Search** D6/470, 472, 552,
D6/553, 449, 432; 312/114

FIG. 1 is a perspective view of a display bracket and tubes
showing my new design;

FIG. 2 is a perspective view of the mounting bracket, shown
separately and on an enlarged scale for clarity of disclosure;

FIG. 3 is a front elevational view of FIG. 2;

FIG. 4 is a side elevational view of FIG. 2;

FIG. 5 is a bottom plan view of FIG. 2; and,

FIG. 6 is a top plan view of FIG. 2.

(56) **References Cited**

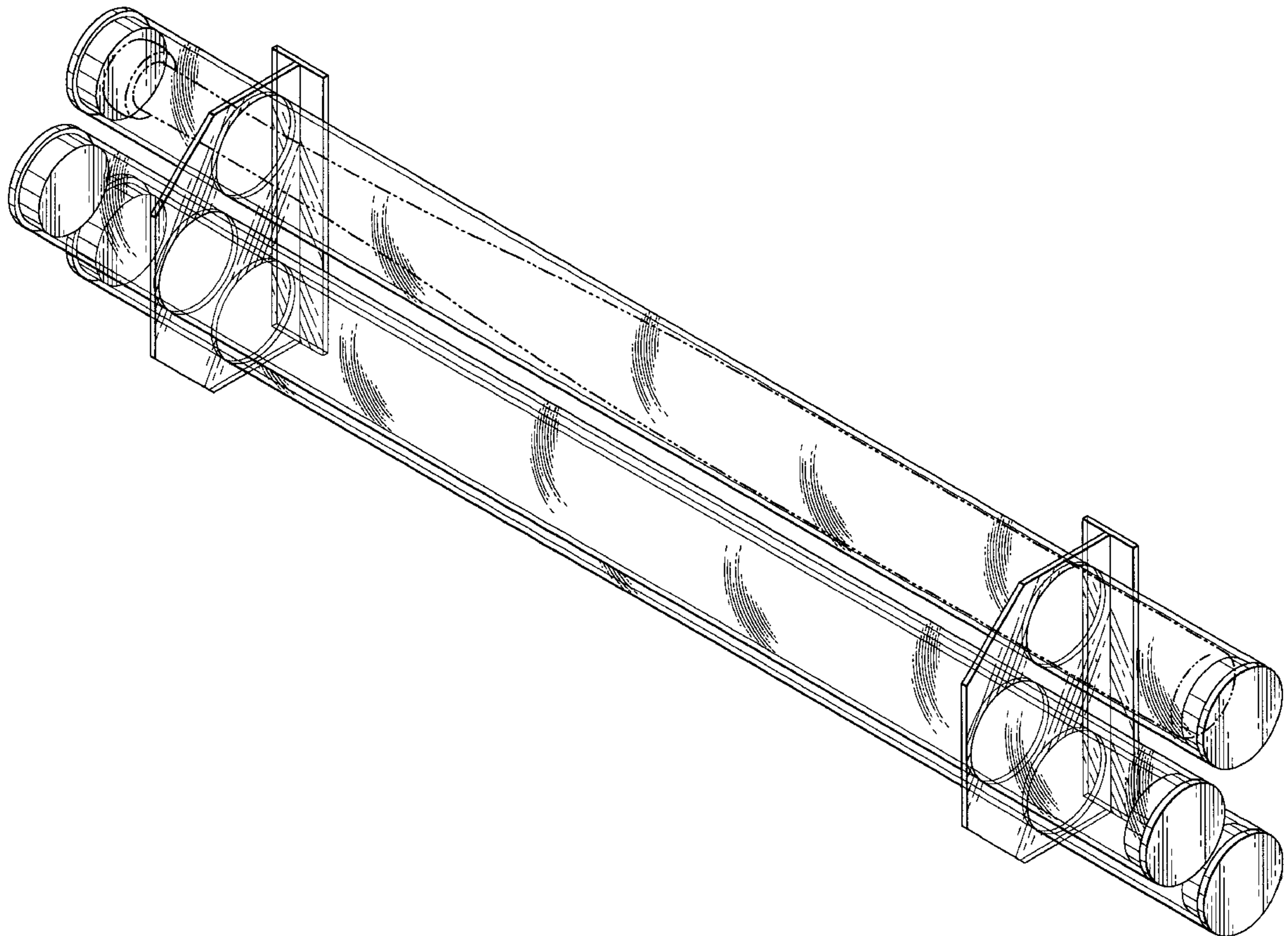
U.S. PATENT DOCUMENTS

D. 114,950 * 5/1939 Haynie, Jr. D6/472

D. 179,424 * 12/1956 Olejniczak D6/472

D. 335,595 * 5/1993 Bowen D6/472

1 Claim, 3 Drawing Sheets



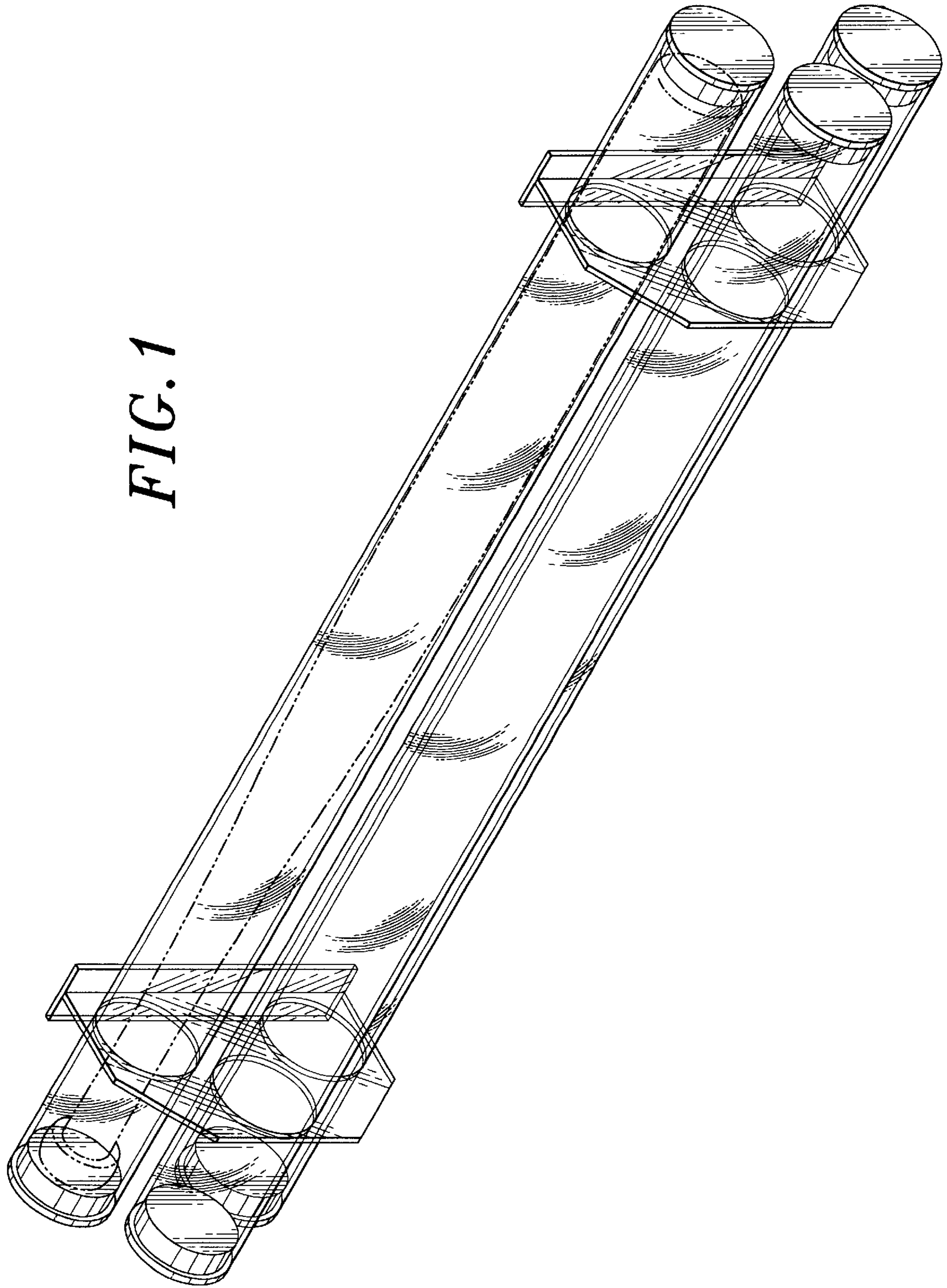


FIG. 2

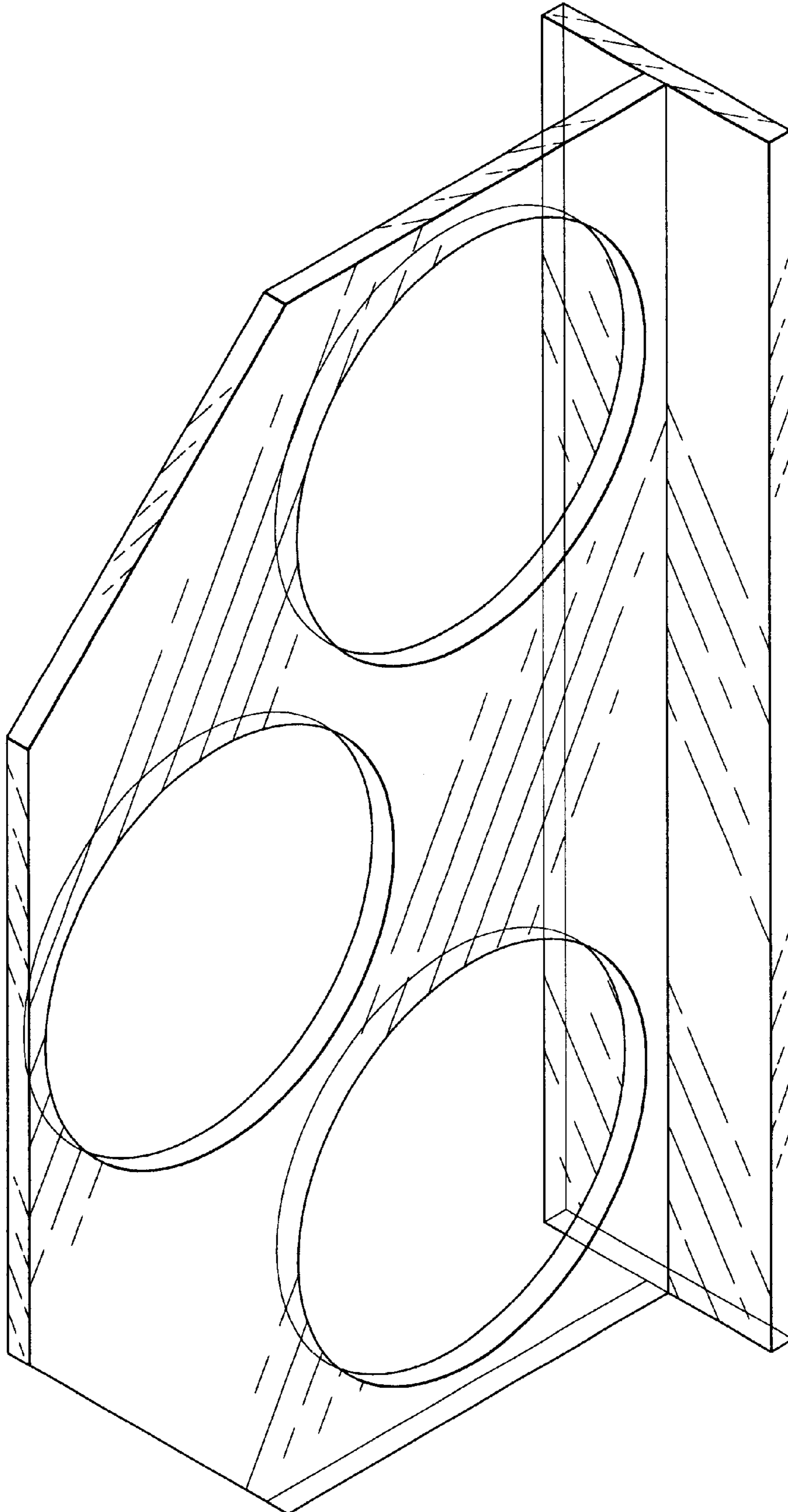


FIG.3

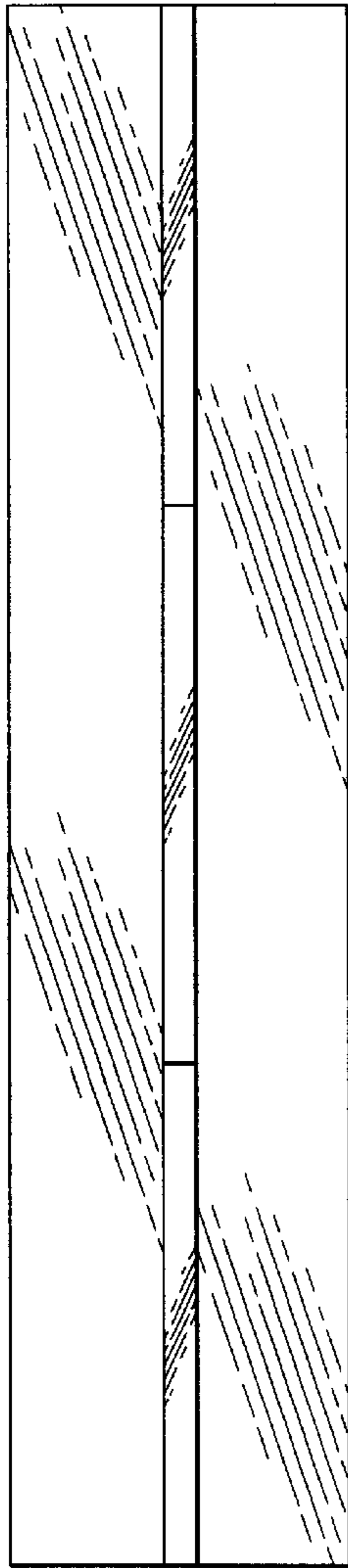


FIG.4

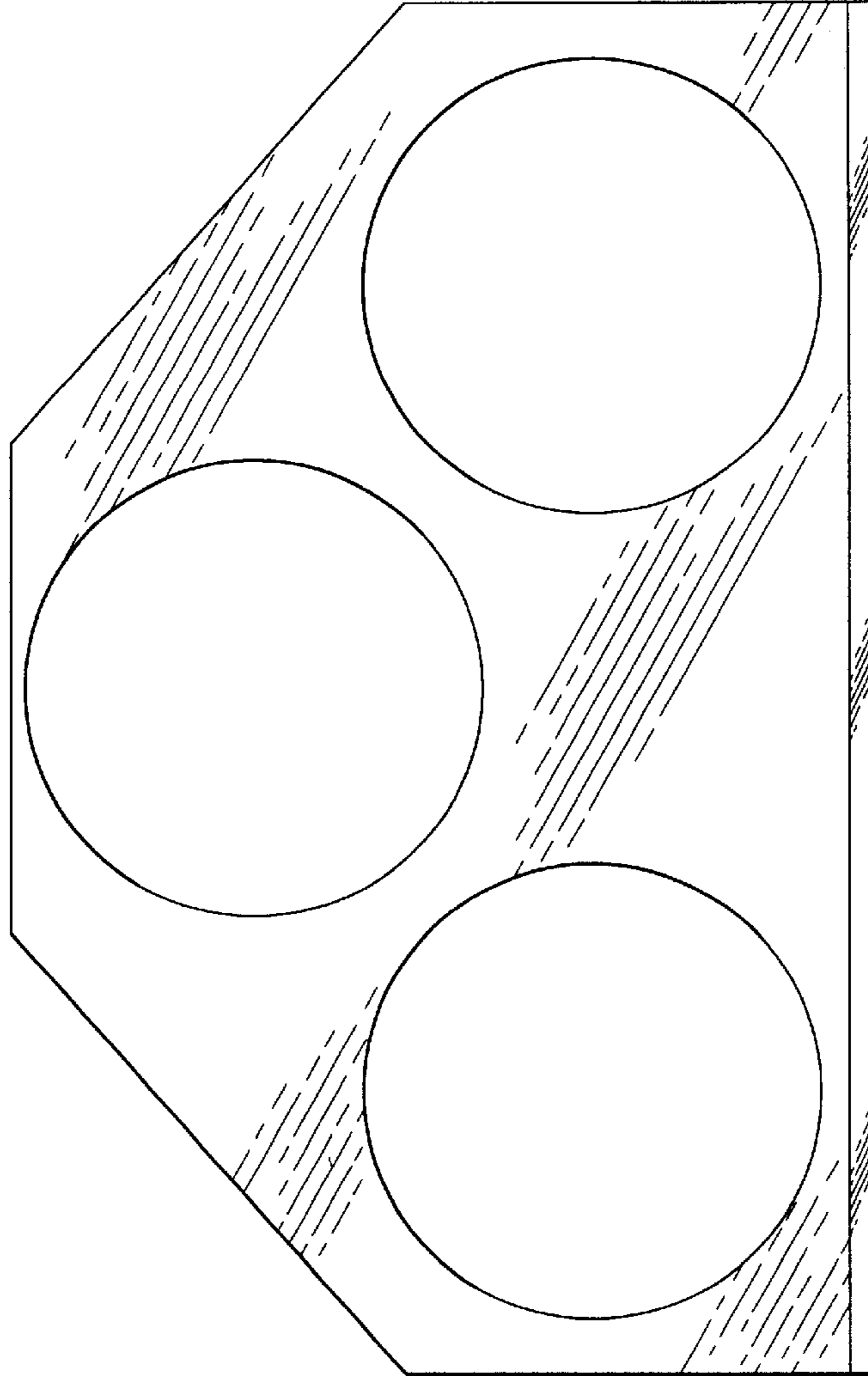


FIG.5

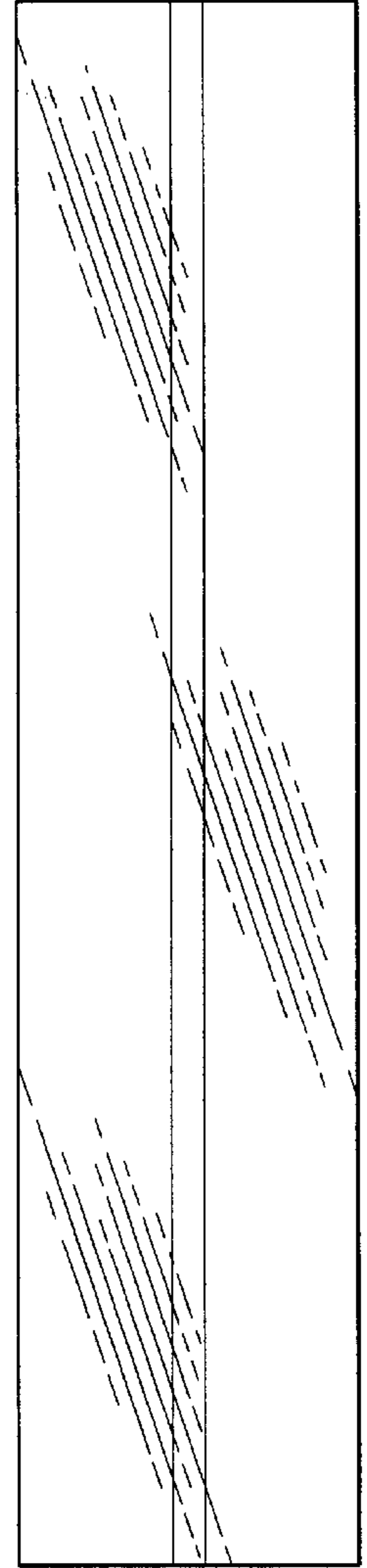


FIG.6

