



US00D446968B1

(12) **United States Design Patent**
Spencer

(10) **Patent No.:** **US D446,968 S**

(45) **Date of Patent:** **** Aug. 28, 2001**

(54) **DISPLAY RACK FOR LICENSE PLATE FRAMES**

D. 427,824 * 7/2000 Osburn et al. D6/463
D. 429,938 * 8/2000 Allen D6/465
2,793,760 * 5/1957 Zel et al. 211/181.1

(76) **Inventor:** **Paul E. Spencer**, 19475 Beacon Lite Rd., Monument, CO (US) 80132

* cited by examiner

(**) **Term:** **14 Years**

Primary Examiner—Dominic Simone
(74) *Attorney, Agent, or Firm*—Timothy Thut Tyson; Ted Masters; Freilich, Hornbaker & Rosen

(21) **Appl. No.:** **29/126,639**

(57) **CLAIM**

(22) **Filed:** **Jul. 21, 2000**

The ornamental design for a display rack for license plate frames, as shown and described.

(51) **LOC (7) Cl.** **06-04**

(52) **U.S. Cl.** **D6/462; D6/463; D6/464; D6/465**

DESCRIPTION

(58) **Field of Search** D6/458, 459, 460, D6/461–465; 211/90.03, 90.04, 112, 113, 181.1, 189, 198

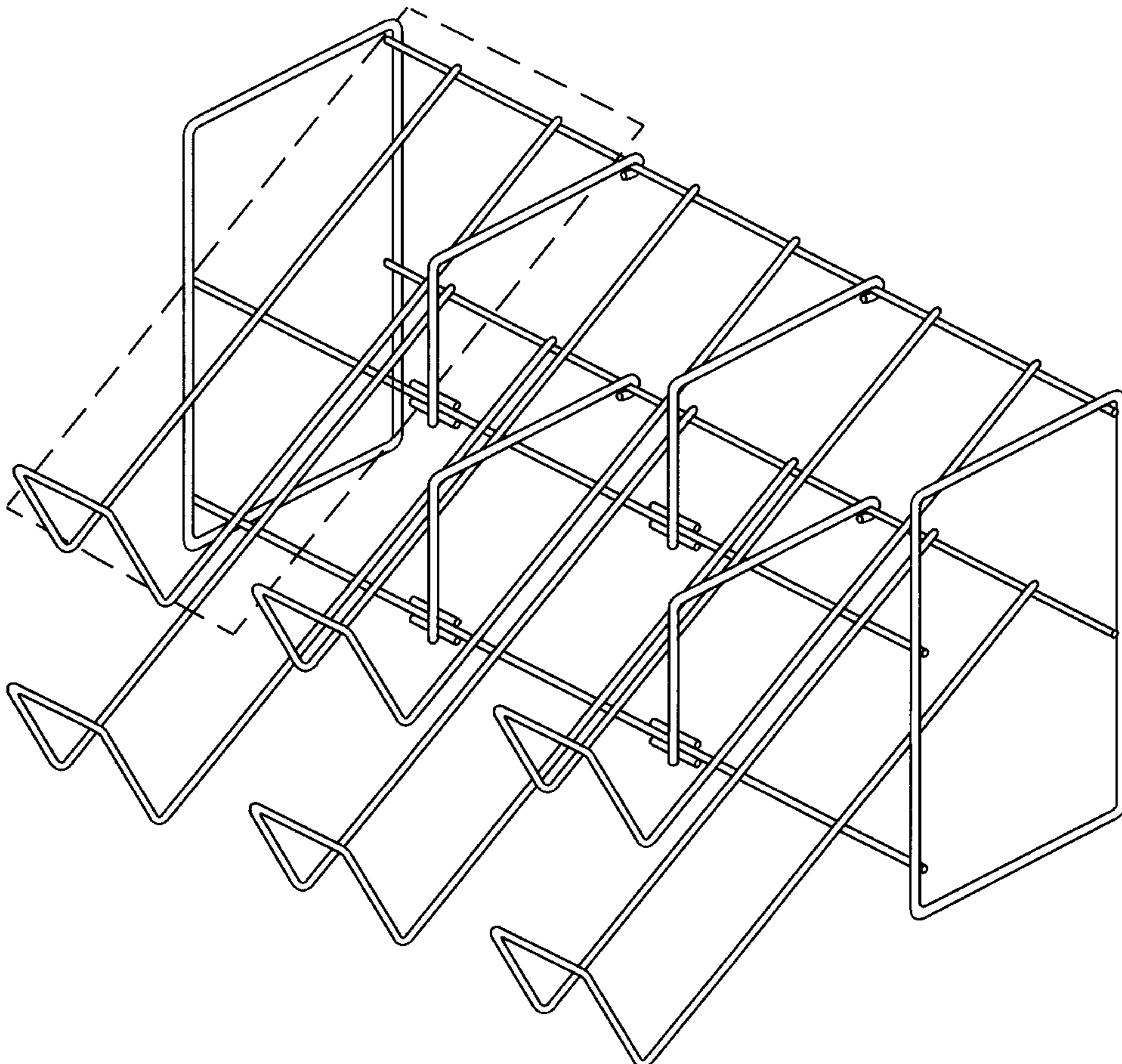
FIG. 1 is a top, front, left side perspective view of a display rack for license plate frames showing my new design, the broken line showing of a license plate frame is for illustrative purposes only and forms no part of the claimed design; FIG. 2 is a top plan view thereof; FIG. 3 is a bottom plan view thereof; FIG. 4 is a left side elevation view thereof; FIG. 5 is a right side elevation view thereof; FIG. 6 is a front elevation view thereof; and, FIG. 7 is a rear elevation view thereof.

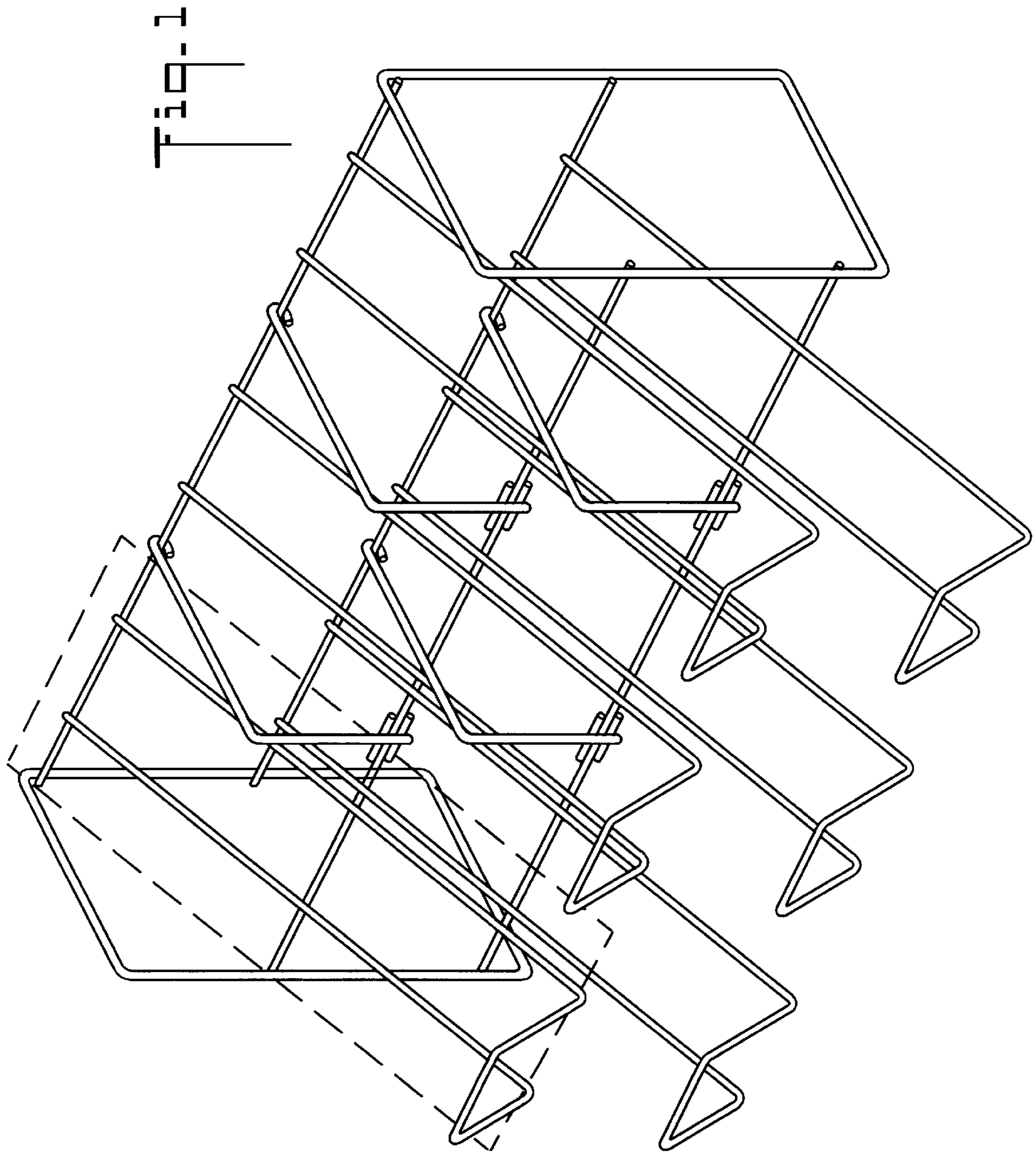
(56) **References Cited**

U.S. PATENT DOCUMENTS

- D. 114,997 * 5/1939 Humphries D6/464
- D. 180,617 * 7/1957 Patterson D6/464
- D. 295,128 * 4/1988 Gentile D6/462
- D. 348,789 * 7/1994 Bezzerides D6/463
- D. 380,638 * 7/1997 Cohen D6/462

1 Claim, 6 Drawing Sheets





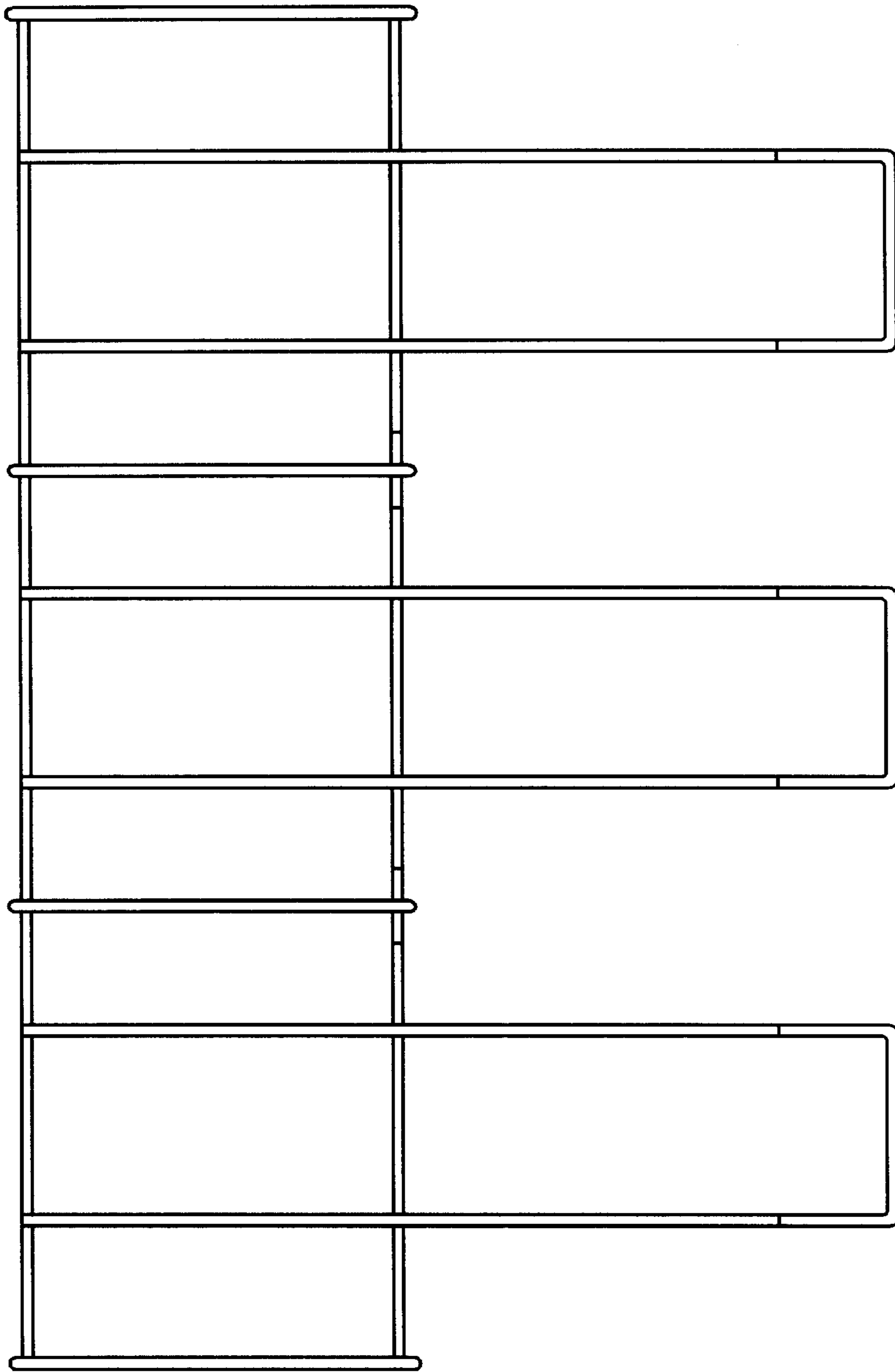


FIG. 2

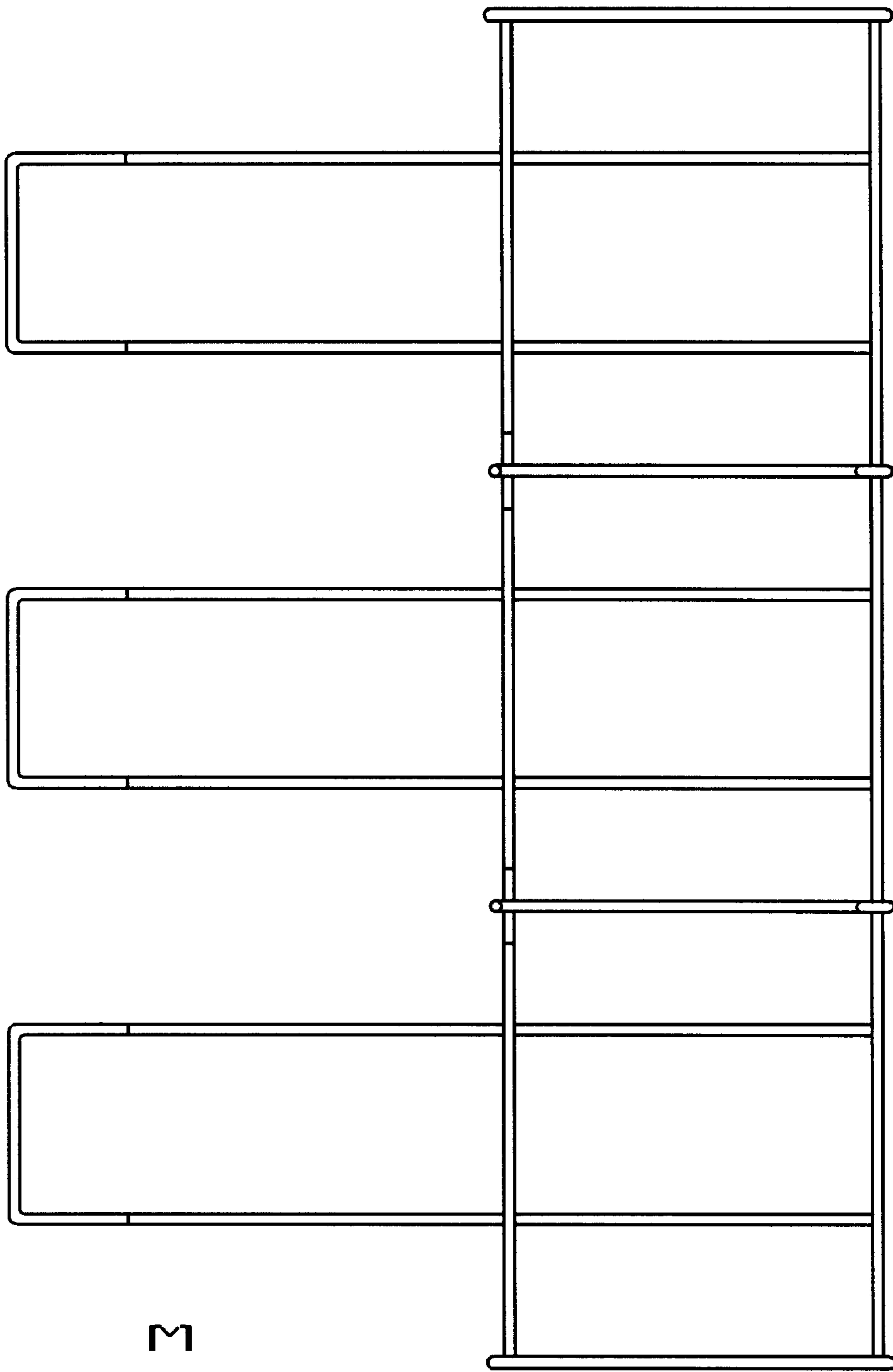


FIG. 3

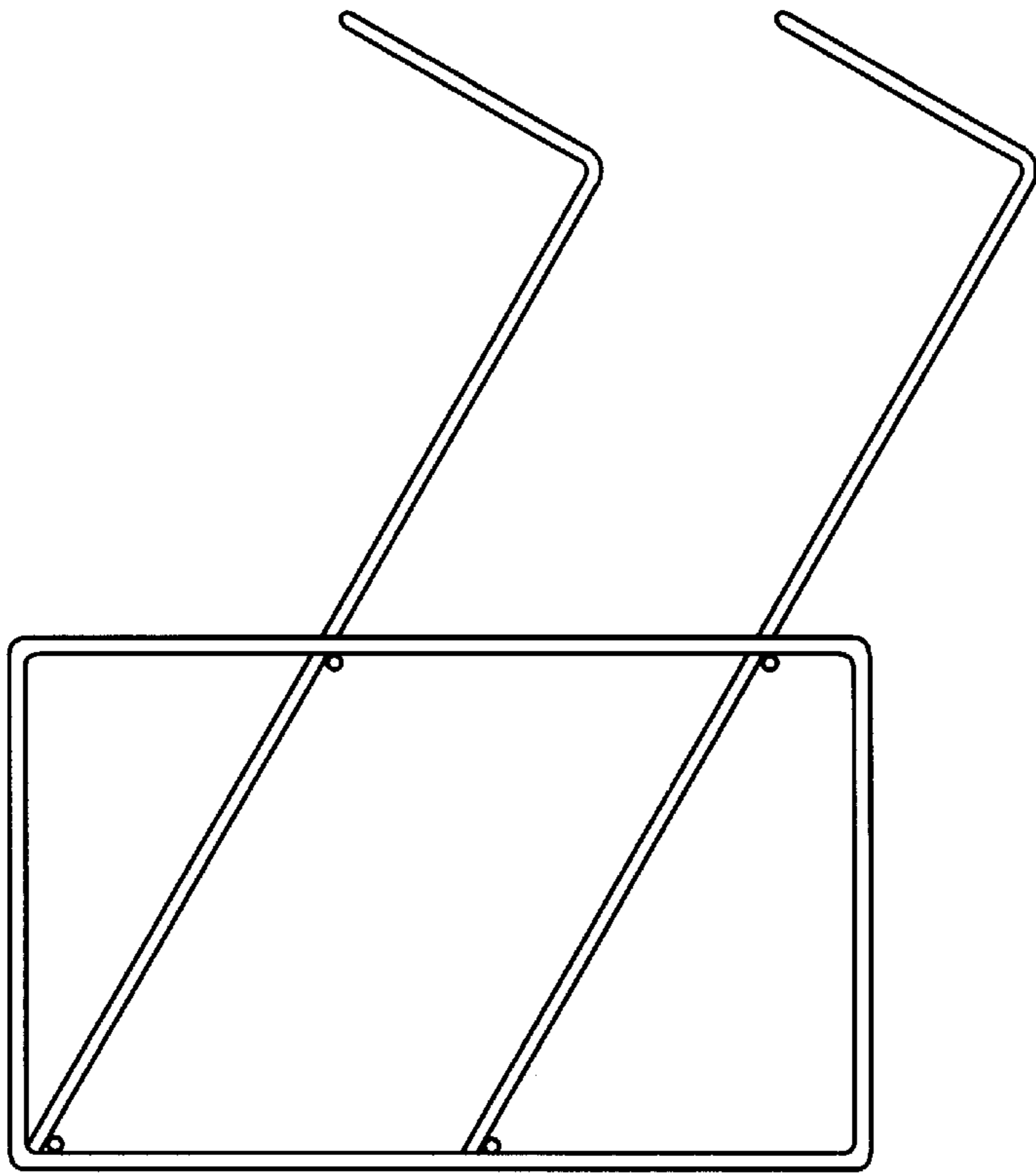


Fig-5

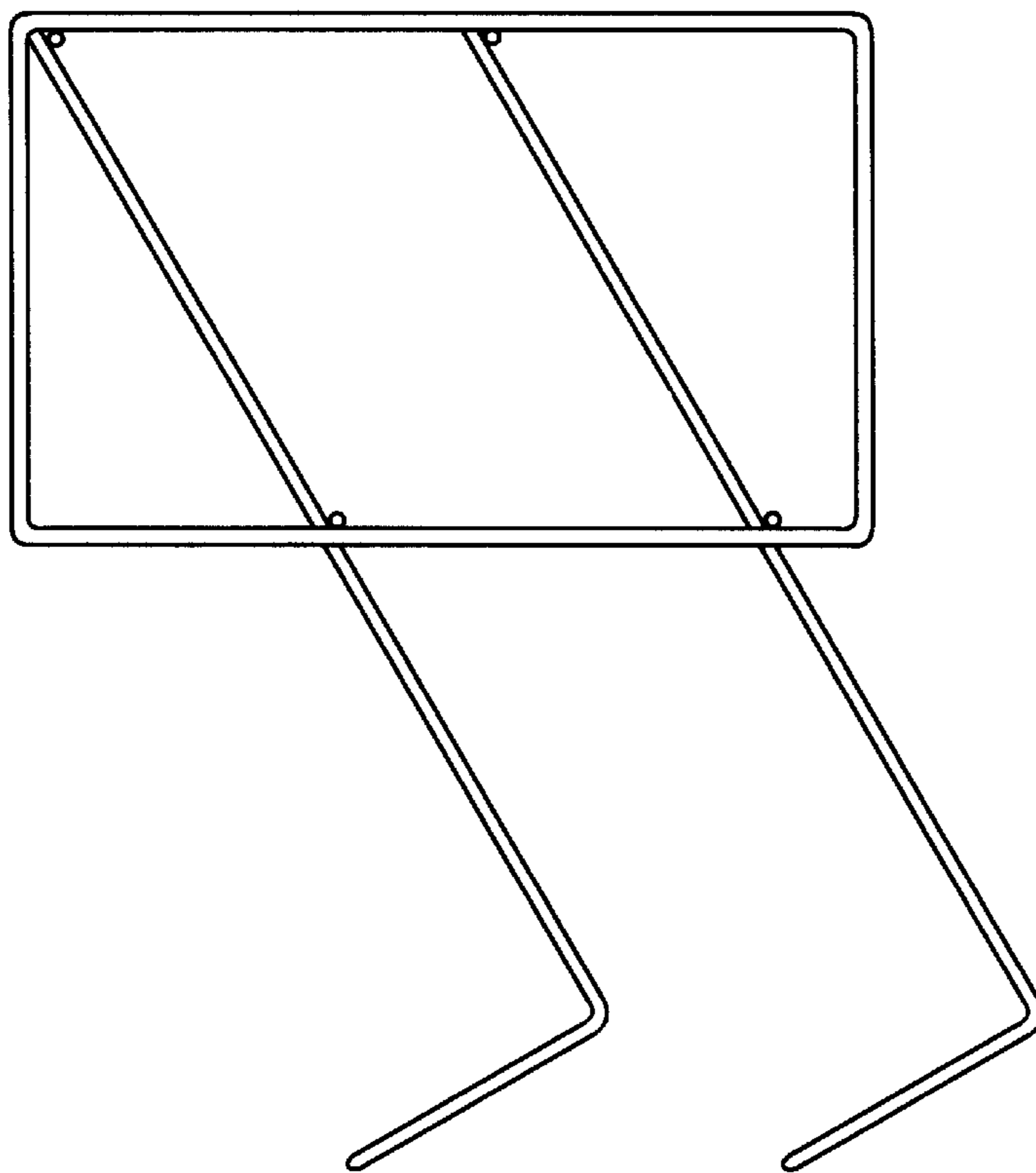


Fig-4

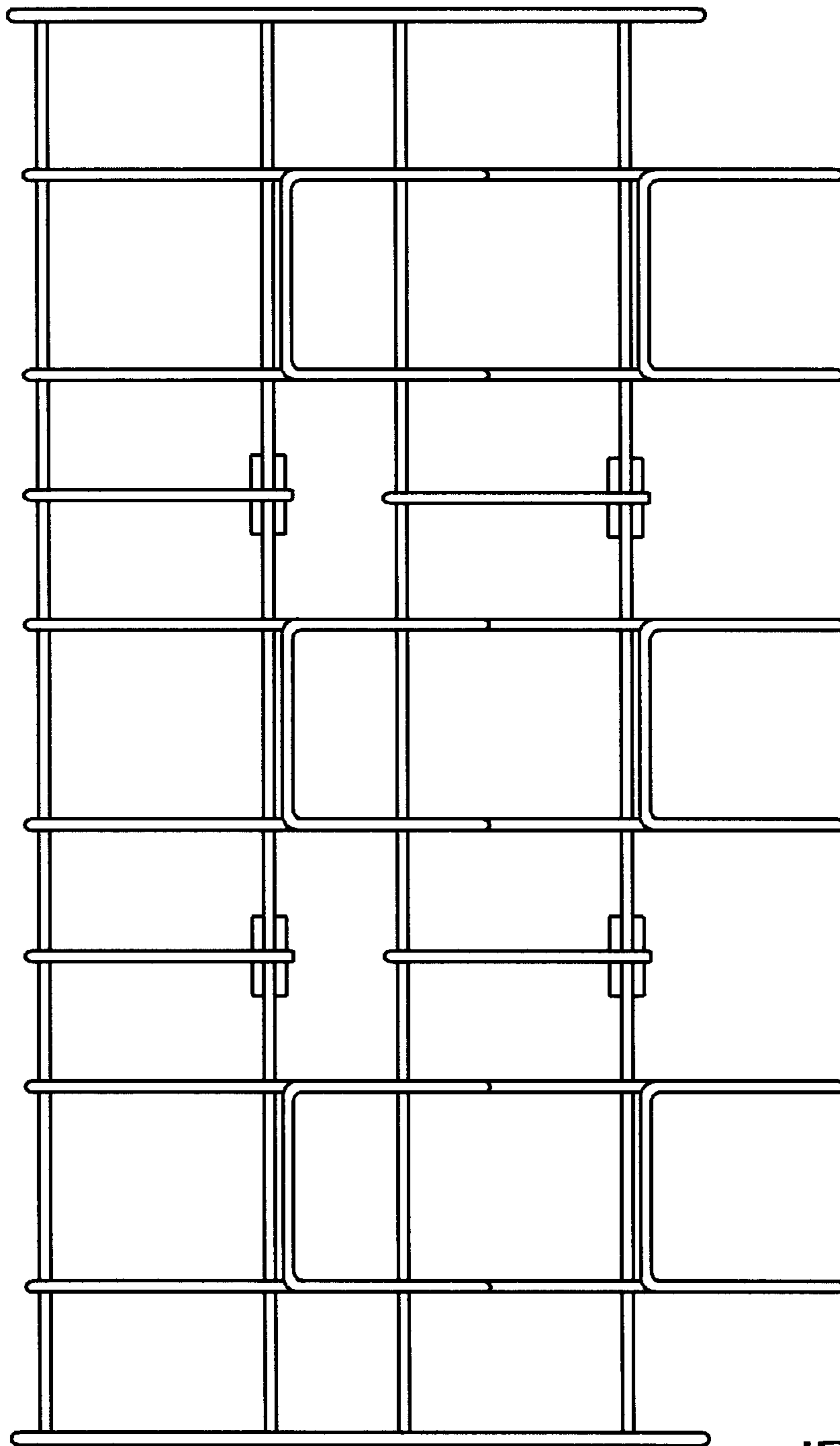


Fig. 5

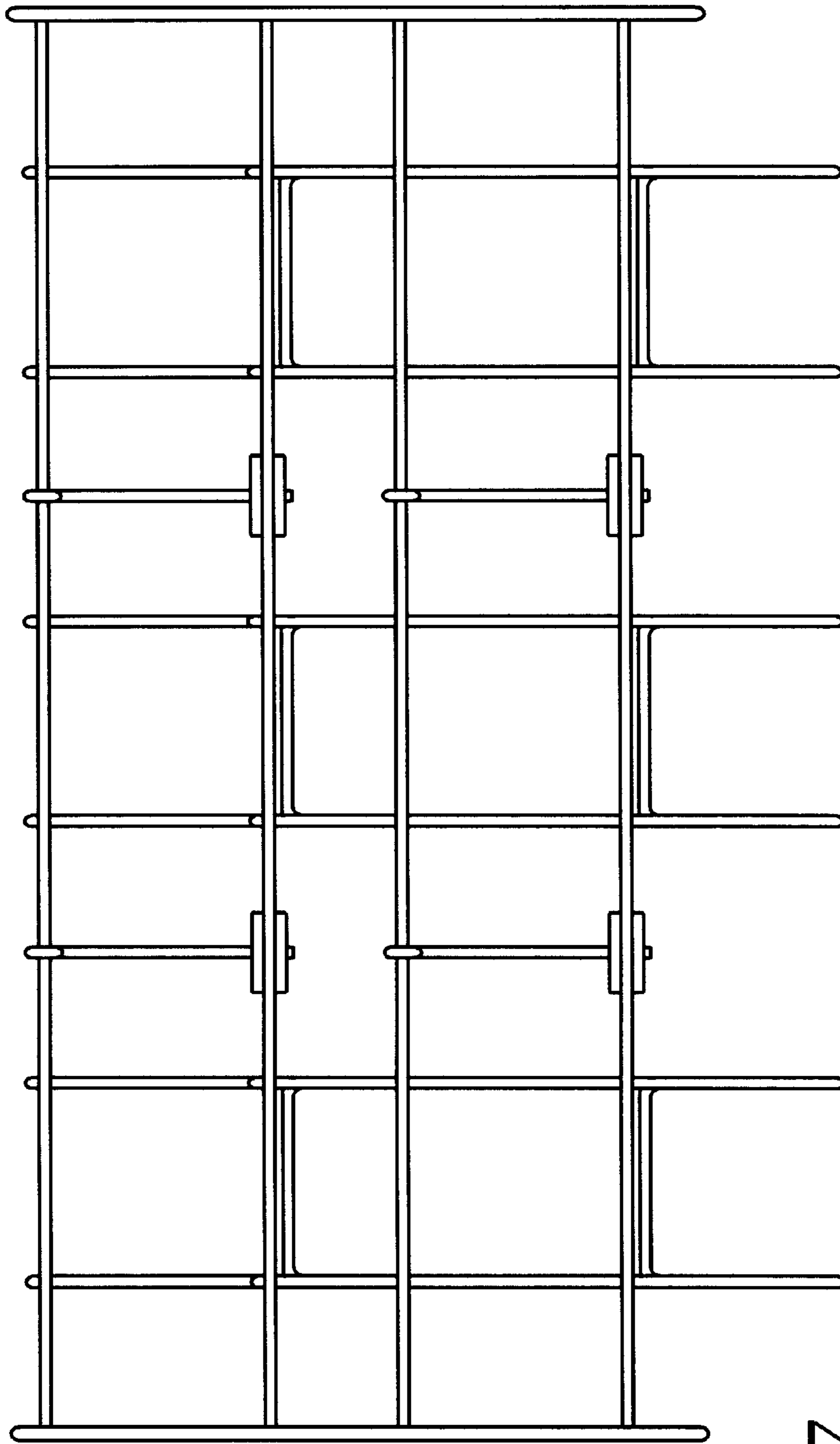


FIG. 2